



US00D720735S

(12) **United States Design Patent**  
**Turocy**

(10) **Patent No.:** **US D720,735 S**  
(45) **Date of Patent:** **\*\* Jan. 6, 2015**

(54) **MOBILE DEVICE CASE**

(75) Inventor: **Erik Turocy**, Columbus, OH (US)

(73) Assignee: **A.G. Findings & Mfg. Co., Inc.**, Fort Lauderdale, FL (US)

(\*\*) Term: **14 Years**

(21) Appl. No.: **29/424,588**

(22) Filed: **Jun. 13, 2012**

(51) **LOC (10) Cl.** ..... **14-03**

(52) **U.S. Cl.**

USPC ..... **D14/250**

(58) **Field of Classification Search**

USPC ..... D14/250–253, 440, 203.3–203.7, 217, D14/496, 248, 238.1, 240, 447, 341–347, D14/444; D13/103, 107–108, 119; D3/201, D3/218, 247, 269, 273, 301, 303; 248/309.1, 371, 176.3, 668; 361/679.56, 679.3, 679.25, 816, 361/379.01; 379/426, 433.11, 455; 455/575.1, 575.8; 206/305, 320; 320/108, 115; 429/96; 220/4.02; 150/165

See application file for complete search history.

(56) **References Cited**

**U.S. PATENT DOCUMENTS**

D324,305 S \* 3/1992 Prey ..... D3/247  
6,201,867 B1 \* 3/2001 Koike ..... 379/433.11  
D459,346 S \* 6/2002 Powell ..... D14/250  
D516,078 S \* 2/2006 He et al. .... D14/444  
D517,311 S \* 3/2006 Kim ..... D3/218  
D565,291 S \* 4/2008 Brandenburg et al. .... D3/218  
D573,998 S \* 7/2008 Zhang et al. .... D14/444  
D594,002 S \* 6/2009 Kettula ..... D14/240  
D613,282 S \* 4/2010 Richardson et al. .... D14/250  
D615,077 S 5/2010 Richardson et al.  
D617,785 S 6/2010 Richardson et al.  
D619,356 S \* 7/2010 Hillman ..... D3/218

D638,828 S \* 5/2011 Melanson et al. .... D14/250  
D641,013 S \* 7/2011 Richardson et al. .... D14/250  
D641,347 S 7/2011 Fathollahi  
D643,028 S \* 8/2011 Richardson et al. .... D14/250  
D646,671 S 10/2011 Fathollahi  
D646,672 S 10/2011 Fathollahi  
D646,673 S 10/2011 Fathollahi  
D647,518 S 10/2011 Fathollahi  
D647,895 S 11/2011 Fathollahi  
D649,537 S 11/2011 Magness et al.  
D651,201 S 12/2011 Fathollahi  
D658,166 S 4/2012 Bau

(Continued)

**FOREIGN PATENT DOCUMENTS**

CN 1300496 A 6/2001  
CN 1512833 A 7/2004

(Continued)

*Primary Examiner* — Carla Jobe Wright

(74) *Attorney, Agent, or Firm* — Christopher & Weisberg, P.A.

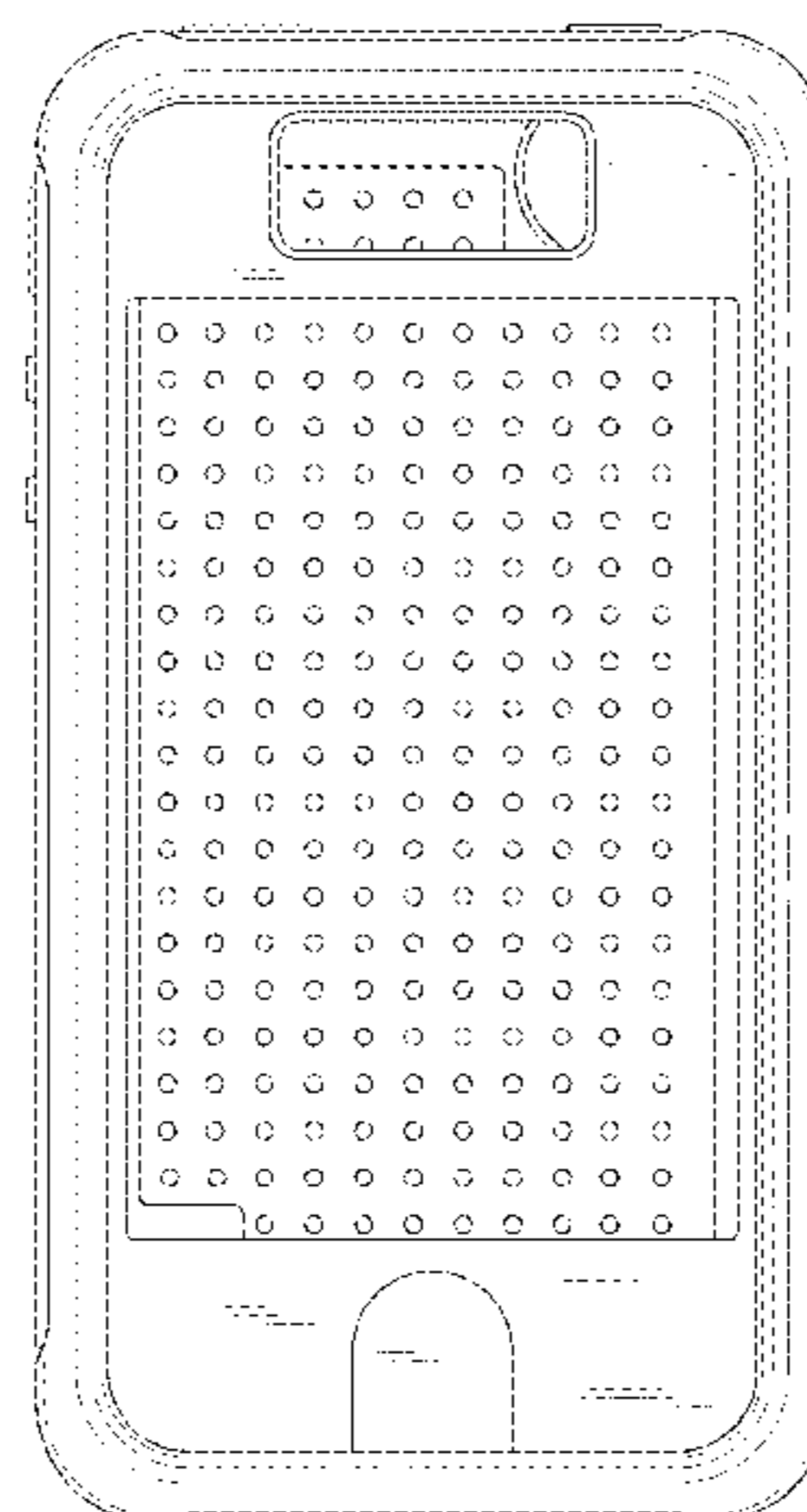
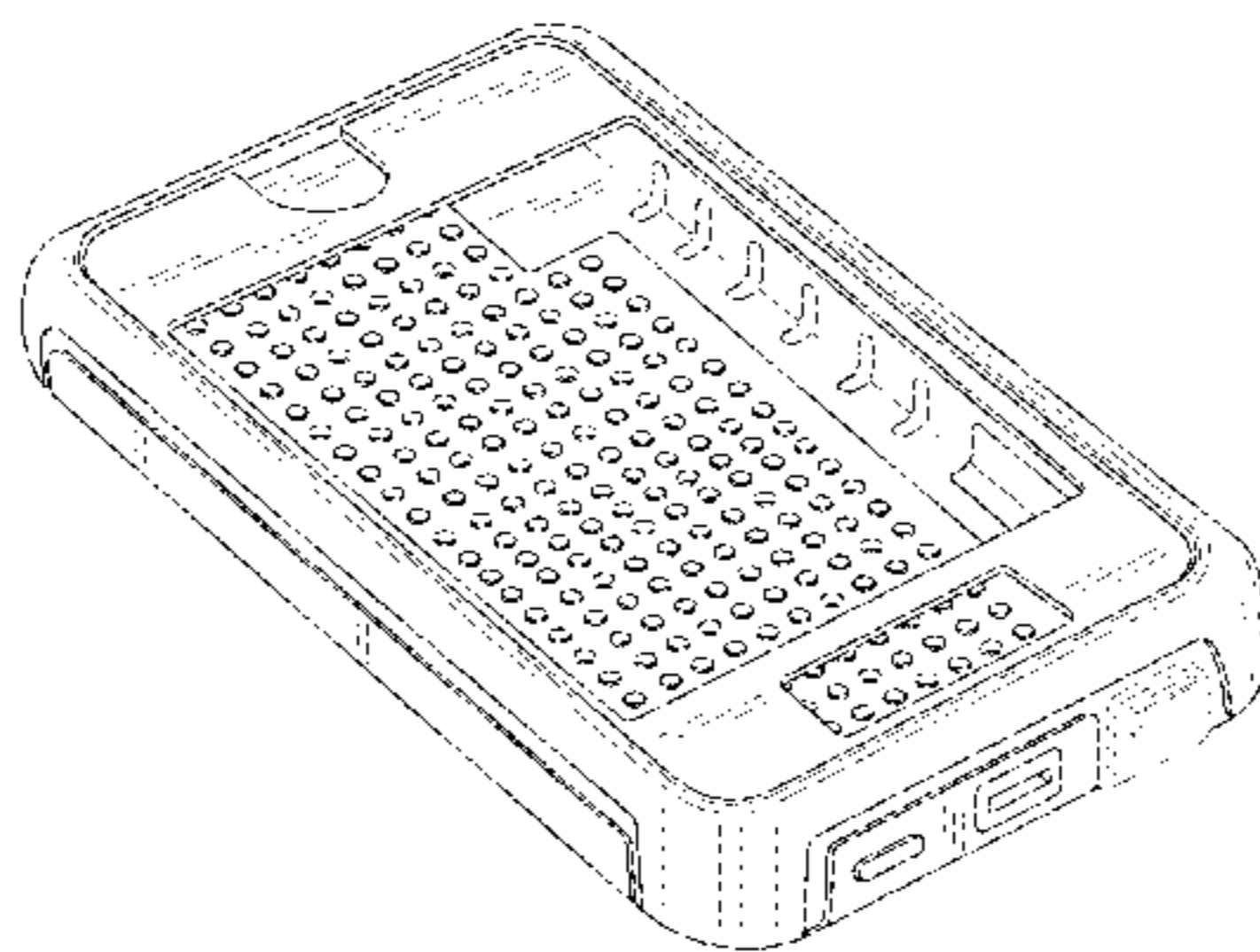
(57) **CLAIM**

The ornamental design for a mobile device case, as shown and described.

**DESCRIPTION**

FIG. 1 is front perspective view of a mobile device case; FIG. 2 is a front view thereof; FIG. 3 is a rear view thereof; FIG. 4 is a top view thereof; FIG. 5 is a bottom view thereof; FIG. 6 is a left side view thereof; FIG. 7 is a right side view thereof; and, FIG. 8 is a front perspective view of the mobile device case of FIG. 1 shown separated to show the shape and interrelationship of two components of the design. The dot-dash broken line represents a boundary of the claimed design. The dash-dash broken lines depict unclaimed design. The broken lines form no part of the claimed design.

**1 Claim, 6 Drawing Sheets**



(56)

**References Cited**

U.S. PATENT DOCUMENTS

8,204,561 B2 6/2012 Mongan et al.  
 D671,933 S \* 12/2012 Rodgers ..... D14/250  
 D673,539 S \* 1/2013 Magness et al. .... D14/250  
 D676,033 S 2/2013 Rothbaum et al.  
 D679,270 S \* 4/2013 Eicher ..... D14/250  
 D681,022 S 4/2013 Chang et al.  
 D682,260 S \* 5/2013 Tages et al. .... D14/250  
 D682,817 S \* 5/2013 Murchison et al. .... D14/250  
 2009/0036175 A1 \* 2/2009 Brandenburg et al. .... 455/575.1  
 2011/0034220 A1 \* 2/2011 Lee ..... 455/575.8  
 2011/0228459 A1 9/2011 Richardson et al.  
 2011/0253569 A1 \* 10/2011 Lord ..... 206/320  
 2012/0071217 A1 \* 3/2012 Park ..... 455/575.8

2012/0074005 A1 \* 3/2012 Johnson et al. .... 206/320  
 2012/0211382 A1 \* 8/2012 Rayner ..... 206/320  
 2012/0321294 A1 \* 12/2012 Tages et al. .... 396/535  
 2012/0327565 A1 \* 12/2012 Tages et al. .... 361/679.01

FOREIGN PATENT DOCUMENTS

CN 1520539 A 8/2004  
 CN M309370 1/2006  
 CN 200944613 Y 9/2007  
 CN 101136258 A 3/2008  
 CN 201418453 Y 3/2010  
 CN 201630456 U 11/2010  
 WO 2009/035270 A2 3/2009

\* cited by examiner

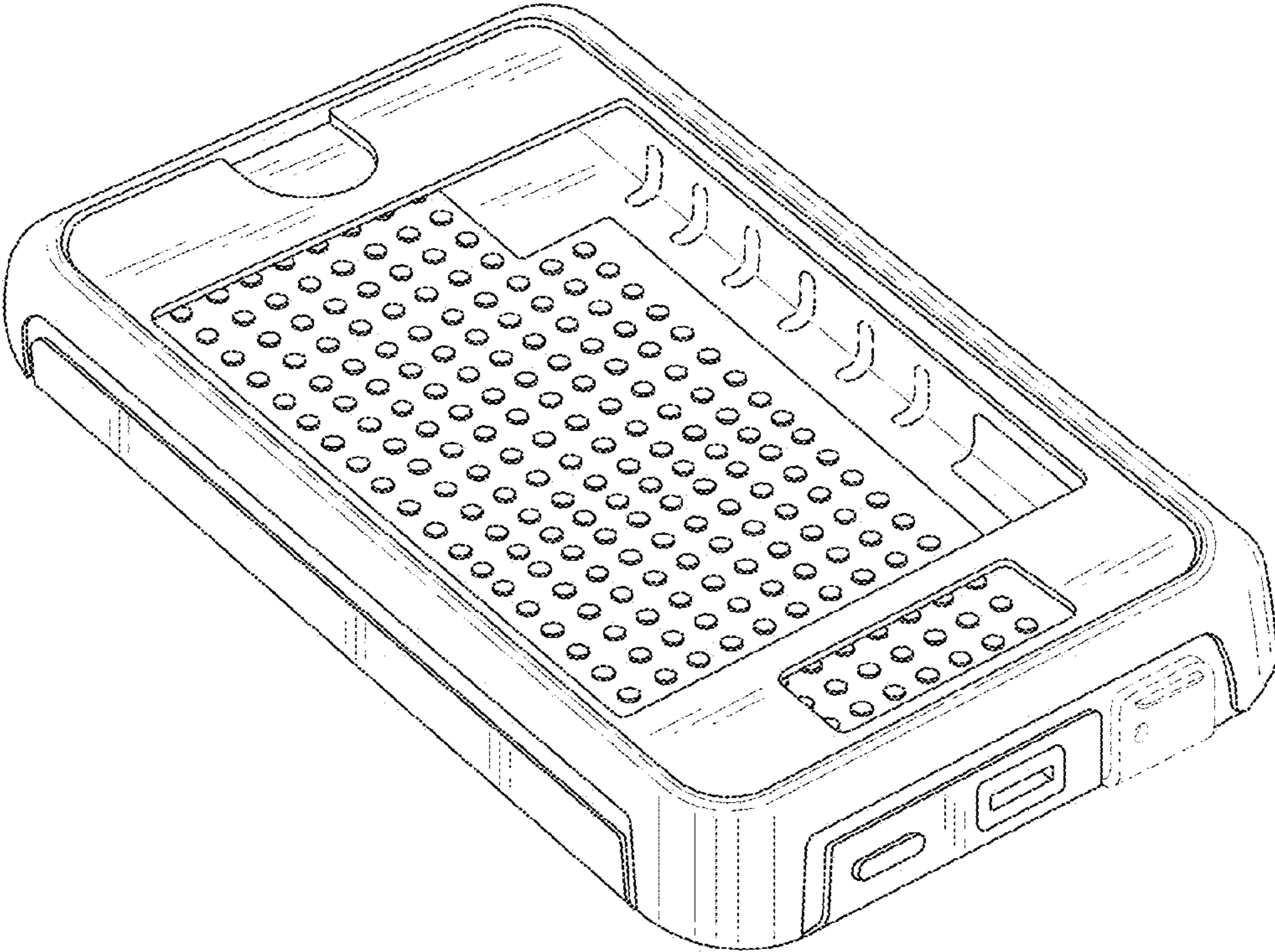


FIG. 1

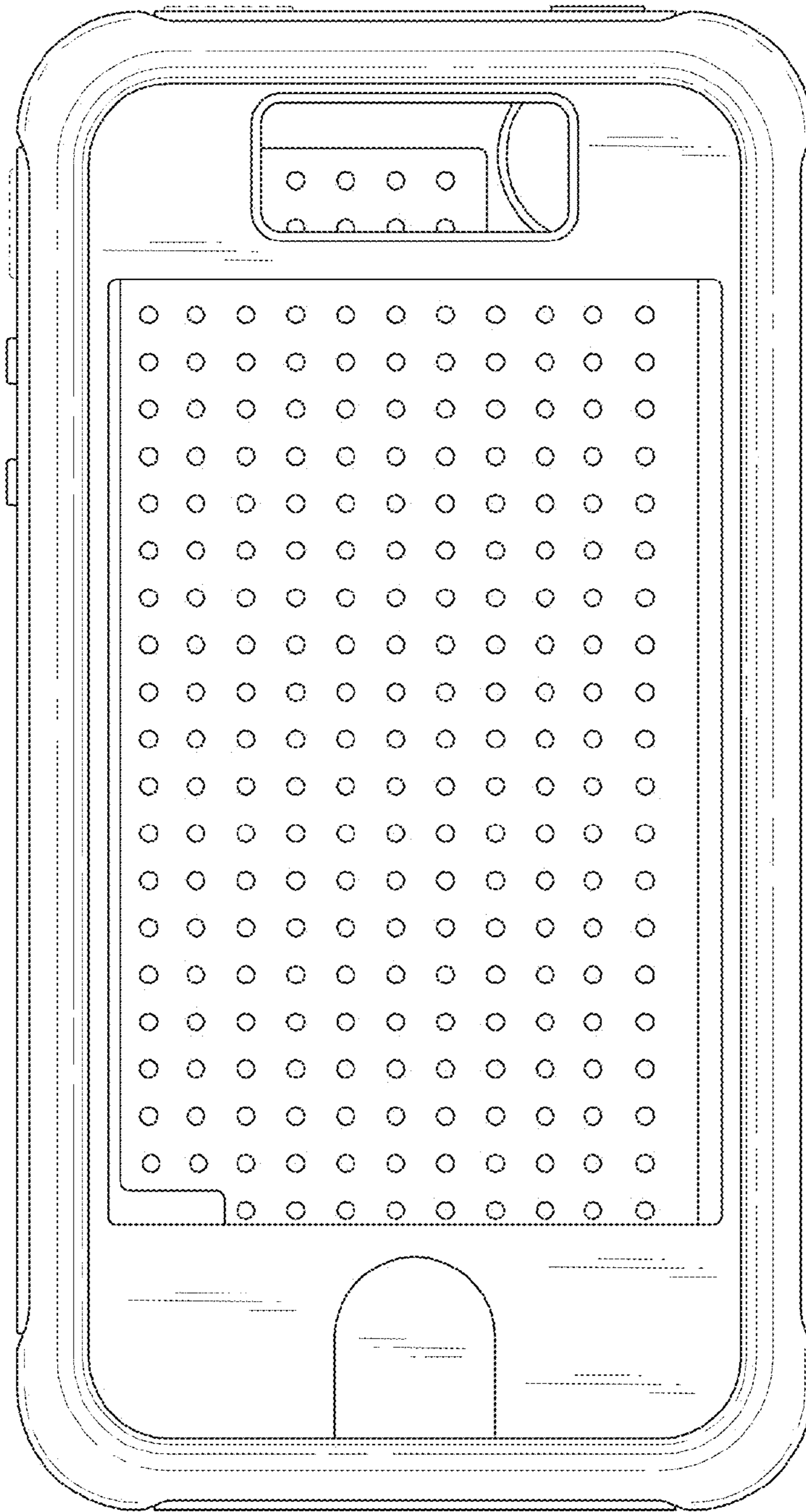
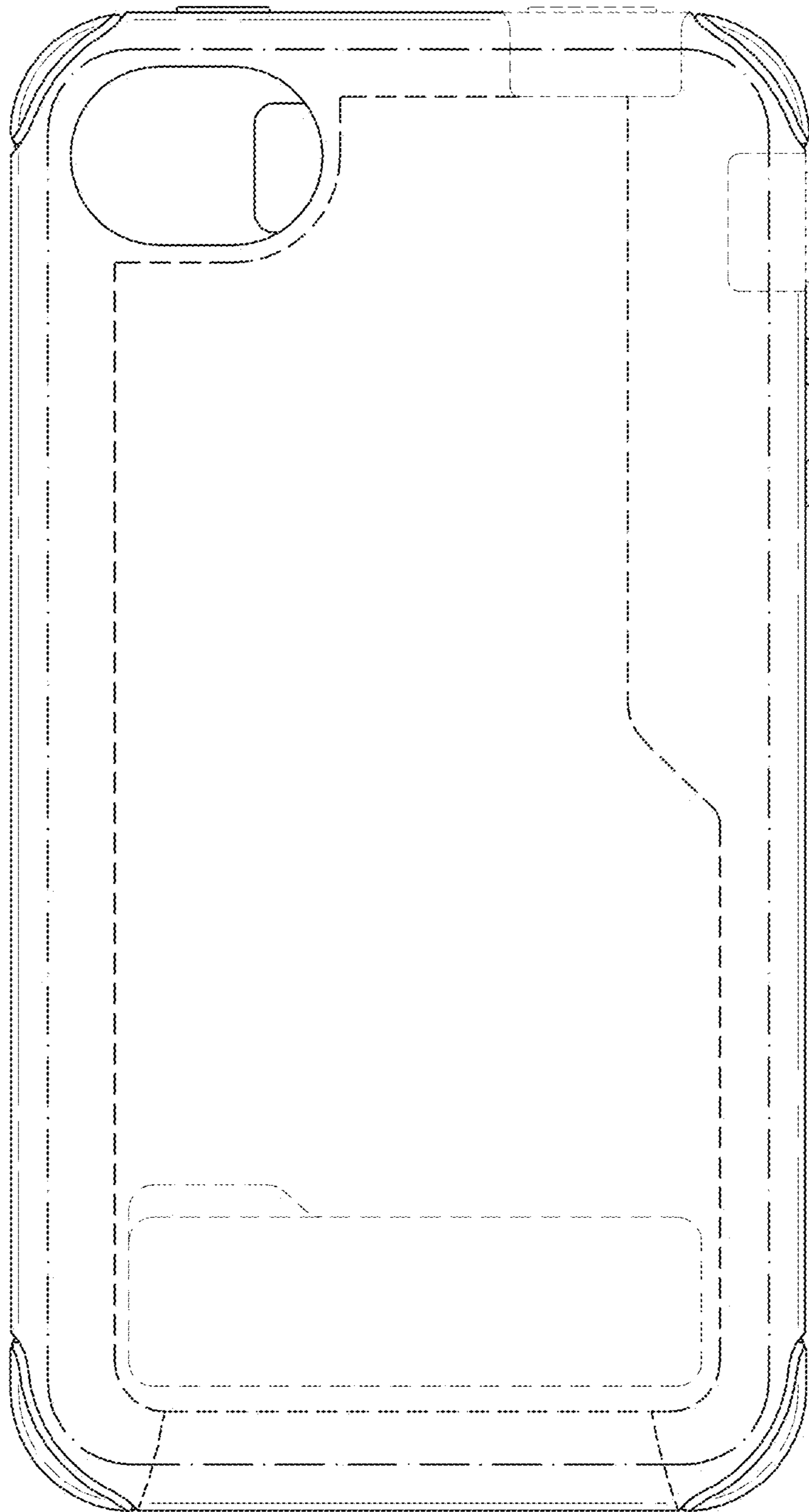
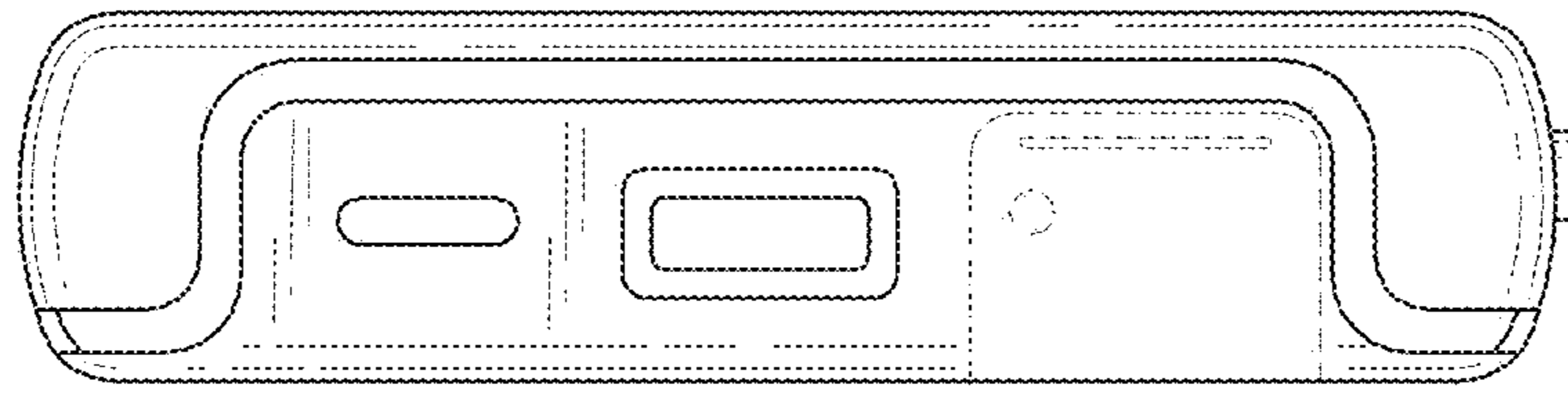


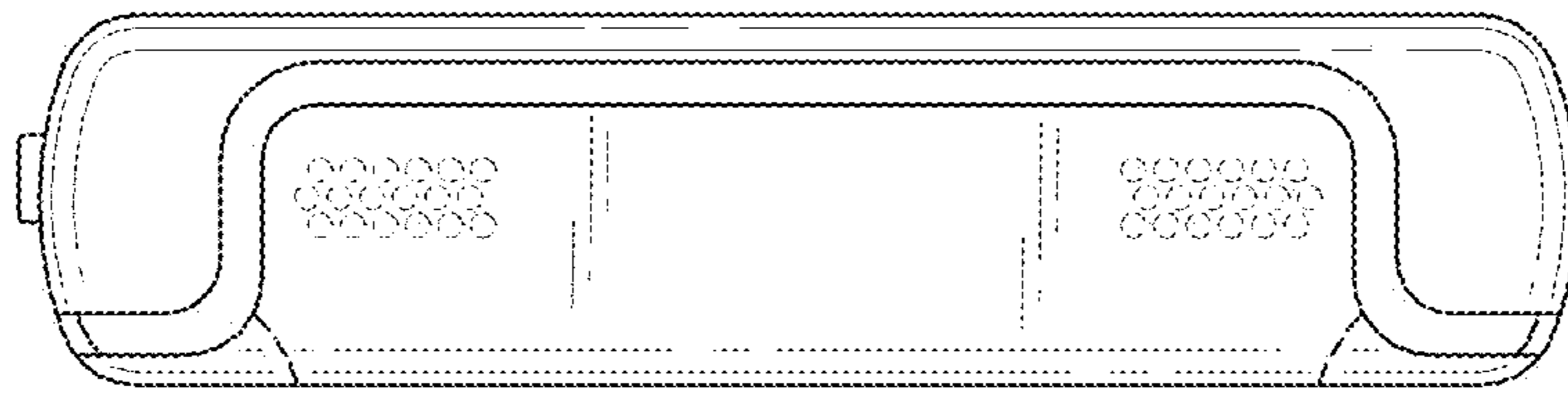
FIG. 2



*FIG. 3*



*FIG. 4*



*FIG. 5*

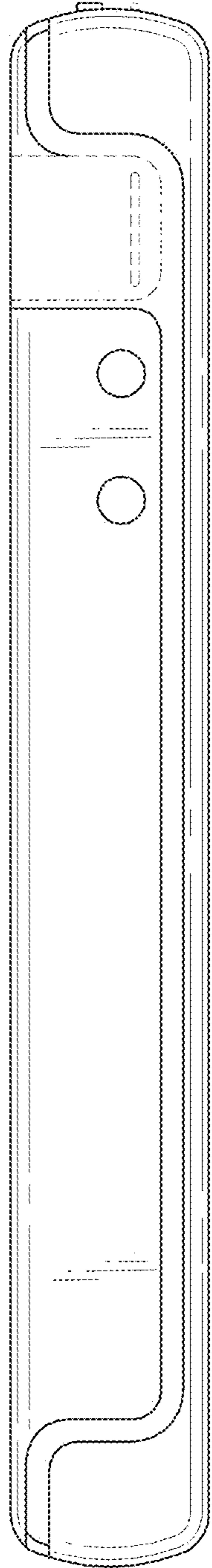


FIG. 6

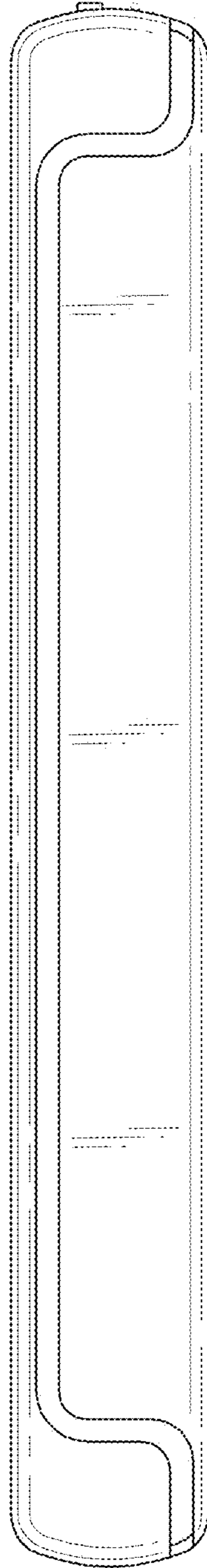


FIG. 7

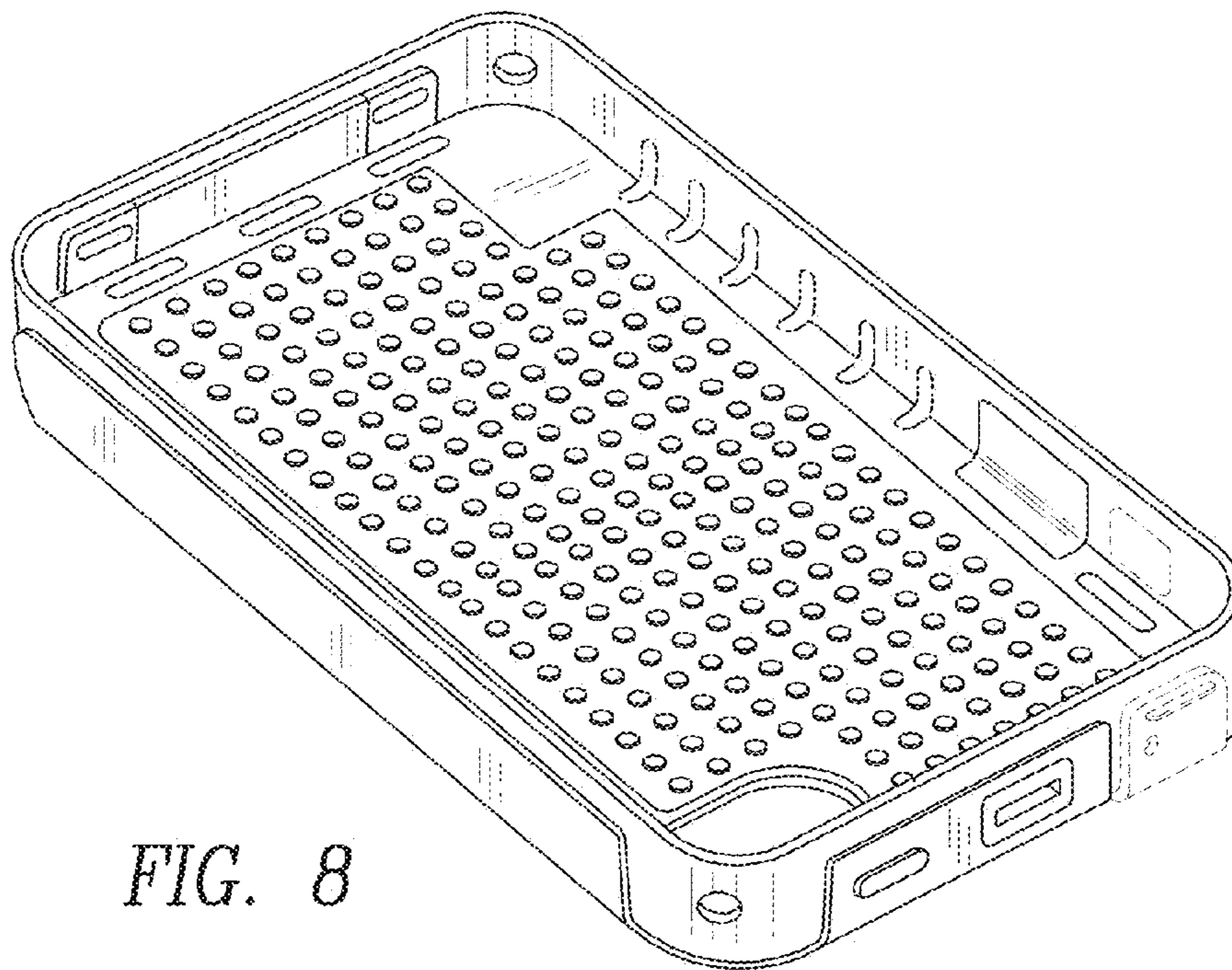
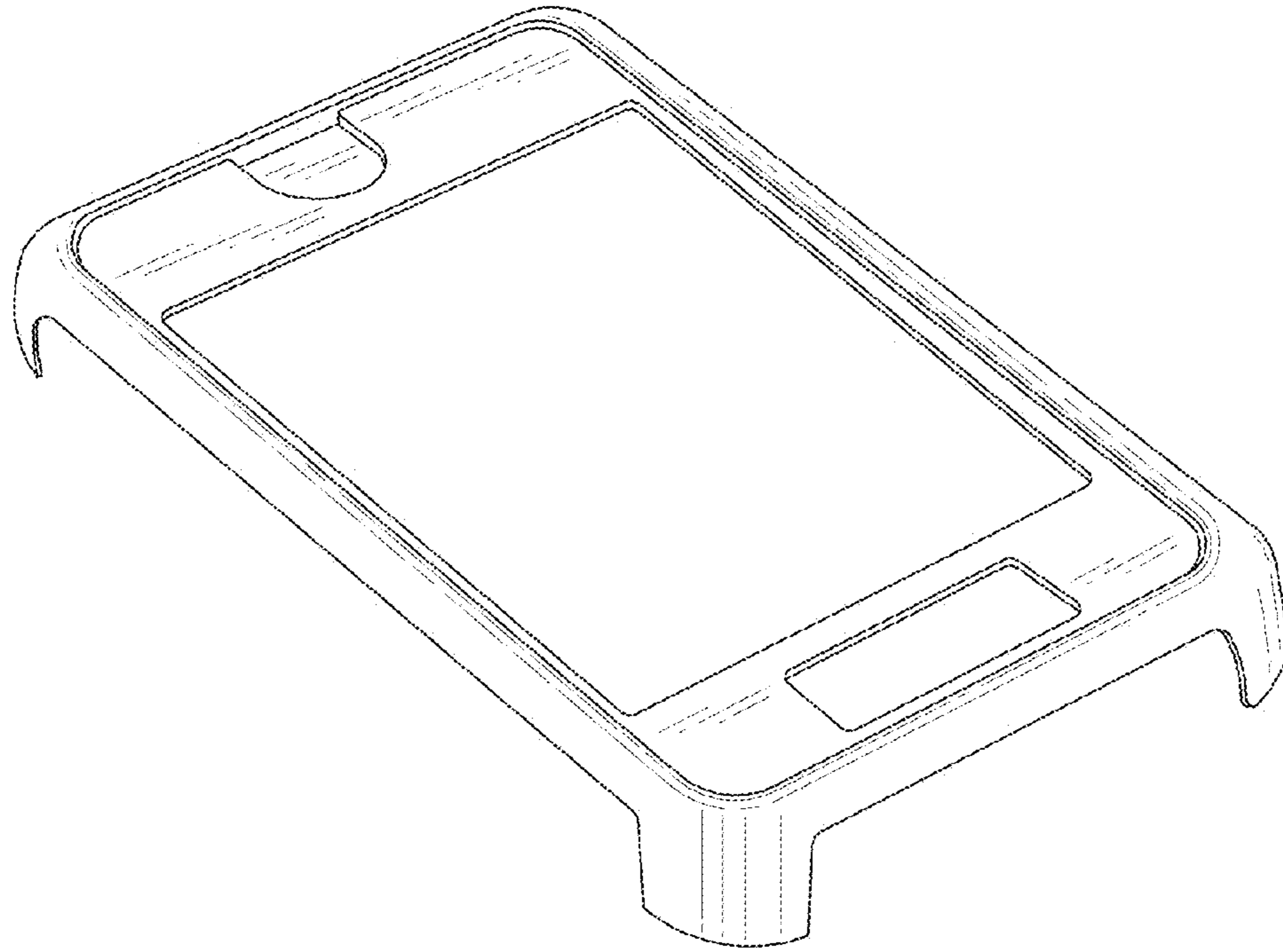


FIG. 8