

US00D720734S

(12) **United States Design Patent**
Fathollahi

(10) **Patent No.:** **US D720,734 S**
(45) **Date of Patent:** **** Jan. 6, 2015**

(54) **CASE**

FOREIGN PATENT DOCUMENTS

(75) Inventor: **Andy Fathollahi**, Corona Del Mar, CA
(US)

WO DM/058570 11/2001

(73) Assignee: **Incipio Technologies, Inc.**, Irvine, CA
(US)

OTHER PUBLICATIONS

Black dotties™ Silicone Case for Apple iPhone 3G 3GS,
<URL:http://www.myincipio.com/product/iPhone_3G-IPH-450,
retrieved from internet May 9, 2010.

(**) Term: **14 Years**

(Continued)

(21) Appl. No.: **29/416,008**

Primary Examiner — Randall Gholson

(22) Filed: **Mar. 16, 2012**

(74) *Attorney, Agent, or Firm* — Manatt, Phelps & Phillips,
LLP

(51) **LOC (10) Cl.** **14-03**

(52) **U.S. Cl.**

USPC **D14/250**

(58) **Field of Classification Search**

USPC D14/250–253, 440, 203.3–203.7, 217,
D14/496, 248, 238.1; D3/201, 218, 269,
D3/301, 273, 303; D13/103, 107–108;
220/4.02; 248/309.1; 361/679.56;
379/426, 433.11, 455; 455/575.1,
455/575.8; 190/100; 206/305, 320

See application file for complete search history.

(57) **CLAIM**

I claim the ornamental design for a case, as shown and
described.

DESCRIPTION

FIG. 1 is a front perspective view of a case;
FIG. 2 is a rear perspective view of the case of FIG. 1;
FIG. 3 is a front view of the case of FIG. 1;
FIG. 4 is a rear view of the case of FIG. 1;
FIG. 5 is a left side view of the case of FIG. 1;
FIG. 6 is a right side view of the case of FIG. 1;
FIG. 7 is a top end view of the case of FIG. 1; and,
FIG. 8 is a bottom end view of the case of FIG. 1.

The dot-dash broken lines and the dash-dash broken lines
immediately adjacent the solid line in FIGS. 2 and 4 consti-
tute the boundary of the claimed design and not a part of the
claimed design. The dot-dash broken lines and the dash-dash
broken lines shown throughout the claimed design depict
environmental subject matter only and form no part of the
claimed design.

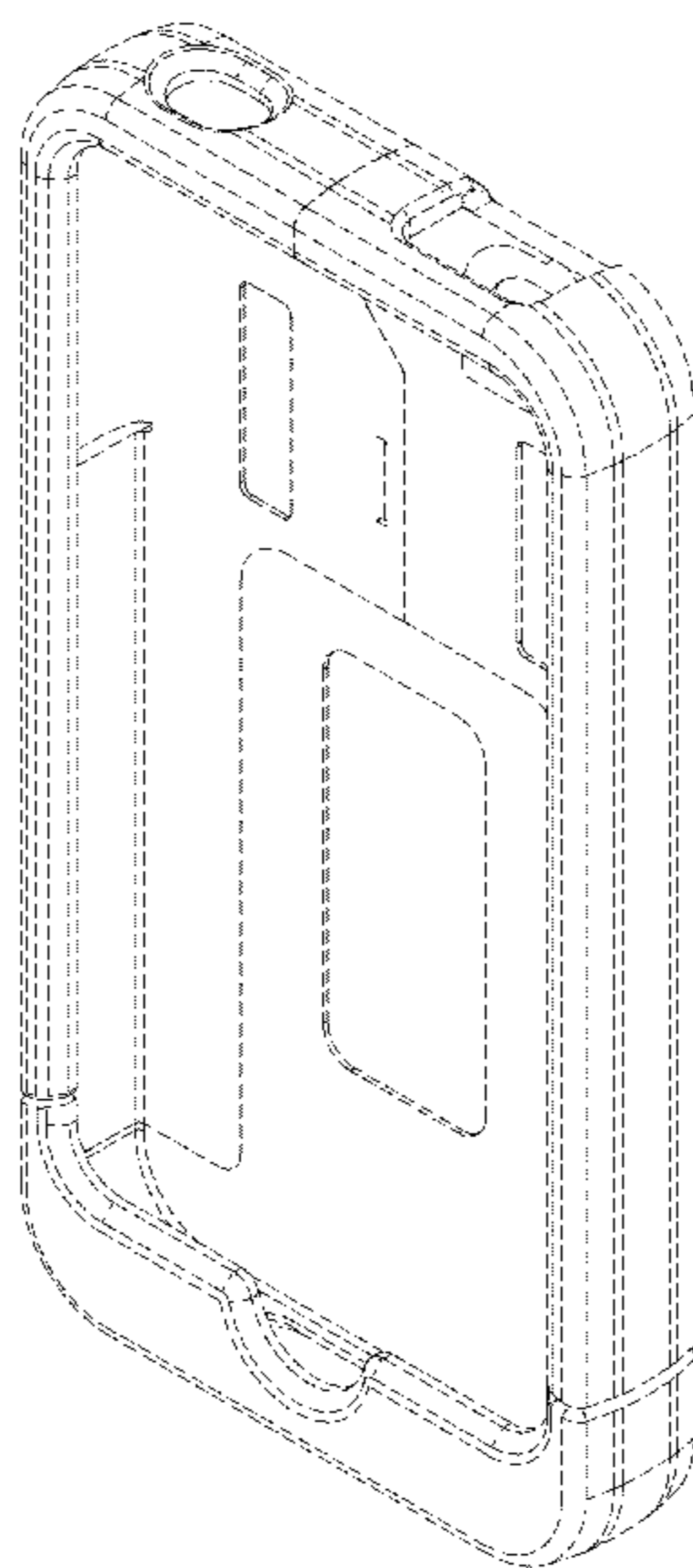
(56) **References Cited**

U.S. PATENT DOCUMENTS

754,329 A	3/1904	Milliken
D107,221 S	11/1937	Dewsbury
2,888,533 A	5/1959	Koda et al.
2,967,714 A	1/1961	Rosario
3,192,978 A	7/1965	William-Horvath
4,551,379 A	11/1985	Kerr
D287,905 S	1/1987	Oyamada
D317,255 S	6/1991	Turk
D320,992 S	10/1991	Jondelius
D339,690 S	9/1993	Takahashi et al.
D346,275 S	4/1994	Hayasaka et al.
5,386,098 A	1/1995	Knudsen

(Continued)

1 Claim, 6 Drawing Sheets



(56)

References Cited

U.S. PATENT DOCUMENTS

- | | | | | | | | |
|-----------|------|---------|--------------------------------|--------------|------|---------|--------------------------------|
| 5,437,068 | A | 8/1995 | Fisher | D606,529 | S | 12/2009 | Ferrari et al. |
| D371,137 | S | 6/1996 | Kriegh | D607,446 | S | 1/2010 | Ferrari et al. |
| D387,199 | S | 12/1997 | Nagele et al. | D609,463 | S | 2/2010 | Bullen |
| D389,641 | S | 1/1998 | McCutcheon et al. | D609,464 | S | 2/2010 | Bullen |
| D392,097 | S | 3/1998 | Pottala et al. | 7,663,879 | B2 | 2/2010 | Richardson et al. |
| 5,755,367 | A | 5/1998 | Yamada | D610,807 | S | 3/2010 | Bau |
| D400,209 | S | 10/1998 | Williams et al. | D611,042 | S | 3/2010 | Ferrari et al. |
| D400,497 | S | 11/1998 | Sabag et al. | D611,478 | S | 3/2010 | Richardson et al. |
| 5,833,053 | A | 11/1998 | Wood et al. | 7,688,580 | B2 | 3/2010 | Richardson et al. |
| D406,191 | S | 3/1999 | Phillips et al. | D615,536 | S | 5/2010 | Richardson et al. |
| 5,992,343 | A | 11/1999 | Drover | D616,361 | S | 5/2010 | Huang |
| D419,290 | S | 1/2000 | Treyer et al. | D625,283 | S | 10/2010 | Okada et al. |
| 6,124,783 | A | 9/2000 | Alexander | D625,698 | S | 10/2010 | Miyazaki et al. |
| D434,898 | S | 12/2000 | Jokinen et al. | D634,313 | S | 3/2011 | Fitzpatrick et al. |
| D438,417 | S | 3/2001 | Liu et al. | D637,592 | S * | 5/2011 | Magness et al. D14/250 |
| 6,239,968 | B1 | 5/2001 | Kim et al. | D641,756 | S | 7/2011 | Hsieh et al. |
| 6,273,252 | B1 | 8/2001 | Mitchell | D641,974 | S | 7/2011 | Stampfli |
| D455,746 | S | 4/2002 | Ronzani et al. | D642,170 | S | 7/2011 | Johnson et al. |
| 6,430,400 | B1 * | 8/2002 | MacDonald et al. 455/90.1 | D643,028 | S * | 8/2011 | Richardson et al. D14/250 |
| D462,514 | S | 9/2002 | Rivera et al. | D647,519 | S | 10/2011 | Rothbaum et al. |
| 6,445,577 | B1 | 9/2002 | Madsen et al. | D649,144 | S | 11/2011 | Fathollahi |
| 6,456,487 | B1 | 9/2002 | Hetterick | 8,056,167 | B2 | 11/2011 | Cheung et al. |
| 6,471,056 | B1 | 10/2002 | Tzeng | 8,064,971 | B2 * | 11/2011 | Inoue et al. 455/575.1 |
| D466,287 | S | 12/2002 | Tanaka | D650,371 | S * | 12/2011 | Wibby et al. D14/238.1 |
| 6,519,141 | B2 | 2/2003 | Tseng et al. | D651,204 | S * | 12/2011 | Wibby et al. D14/250 |
| 6,536,589 | B2 | 3/2003 | Chang | D652,031 | S | 1/2012 | Fahrendorff et al. |
| 6,646,864 | B2 | 11/2003 | Richardson | D654,068 | S | 2/2012 | Monaco et al. |
| D489,162 | S | 5/2004 | Dings-Plooij | D654,485 | S * | 2/2012 | Chang et al. D14/250 |
| D495,871 | S | 9/2004 | Moffitt et al. | D663,263 | S | 7/2012 | Gupta et al. |
| D499,546 | S | 12/2004 | Smithers | D665,735 | S | 8/2012 | Kang et al. |
| 6,854,412 | B1 | 2/2005 | Courson et al. | 2003/0052786 | A1 | 3/2003 | Dickinson |
| 6,866,266 | B1 | 3/2005 | Thorne | 2003/0151890 | A1 | 8/2003 | Huang et al. |
| 6,938,899 | B2 | 9/2005 | Kenney et al. | 2004/0057199 | A1 | 3/2004 | Azuchi |
| 6,954,047 | B2 | 10/2005 | Neubauer | 2004/0236258 | A1 | 11/2004 | Burns et al. |
| 6,995,976 | B2 | 2/2006 | Richardson | 2005/0242941 | A1 | 11/2005 | Chao |
| D516,554 | S | 3/2006 | Richardson et al. | 2005/0247584 | A1 | 11/2005 | Lu |
| D521,232 | S | 5/2006 | Andre et al. | 2006/0052064 | A1 | 3/2006 | Goradesky |
| D526,780 | S | 8/2006 | Richardson et al. | 2006/0231713 | A1 | 10/2006 | Crain et al. |
| 7,097,233 | B2 | 8/2006 | Sogame et al. | 2007/0165367 | A1 | 7/2007 | Chung |
| D529,713 | S | 10/2006 | Guyot et al. | 2008/0012383 | A1 | 1/2008 | Larson |
| D530,079 | S | 10/2006 | Thomas et al. | 2008/0316687 | A1 | 12/2008 | Richardson et al. |
| 7,158,376 | B2 | 1/2007 | Richardson et al. | 2009/0009945 | A1 | 1/2009 | Johnson et al. |
| 7,180,735 | B2 | 2/2007 | Thomas et al. | 2009/0034169 | A1 | 2/2009 | Richardson et al. |
| D541,296 | S | 4/2007 | Kim | 2009/0080153 | A1 | 3/2009 | Richardson et al. |
| D542,524 | S | 5/2007 | Richardson et al. | 2009/0111543 | A1 | 4/2009 | Tai et al. |
| D543,541 | S | 5/2007 | Chung et al. | 2009/0139010 | A1 | 6/2009 | Bevier |
| 7,230,823 | B2 | 6/2007 | Richardson et al. | 2009/0154095 | A1 | 6/2009 | Woud |
| 7,261,204 | B2 | 8/2007 | Zaidi et al. | 2010/0008028 | A1 | 1/2010 | Richardson et al. |
| D553,352 | S | 10/2007 | Allen | 2010/0051712 | A1 | 3/2010 | Lebeck |
| D553,357 | S | 10/2007 | Zimmerman | 2010/0096284 | A1 | 4/2010 | Bau |
| 7,312,984 | B2 | 12/2007 | Richardson et al. | 2010/0203931 | A1 | 8/2010 | Hynecek et al. |
| D559,826 | S | 1/2008 | Lee | 2011/0036876 | A1 | 2/2011 | Fathollahi |
| D561,724 | S | 2/2008 | Kim et al. | | | | |
| D561,986 | S | 2/2008 | Horne et al. | | | | |
| D565,290 | S | 4/2008 | Brandenburg et al. | | | | |
| D570,593 | S | 6/2008 | Justiss | | | | |
| D575,056 | S | 8/2008 | Tan | | | | |
| D581,151 | S | 11/2008 | Aipa | | | | |
| D581,155 | S | 11/2008 | Richardson et al. | | | | |
| D581,421 | S | 11/2008 | Richardson et al. | | | | |
| D586,851 | S | 2/2009 | Lapsker | | | | |
| D587,008 | S | 2/2009 | Richardson et al. | | | | |
| D589,016 | S | 3/2009 | Richardson et al. | | | | |
| D589,486 | S | 3/2009 | He | | | | |
| D593,319 | S | 6/2009 | Richardson et al. | | | | |
| D593,746 | S | 6/2009 | Richardson et al. | | | | |
| D597,089 | S | 7/2009 | Khan et al. | | | | |
| D597,301 | S | 8/2009 | Richardson et al. | | | | |
| D598,407 | S | 8/2009 | Richardson et al. | | | | |
| D600,908 | S | 9/2009 | Richardson et al. | | | | |
| 7,594,576 | B2 | 9/2009 | Chen et al. | | | | |
| 7,609,512 | B2 | 10/2009 | Richardson et al. | | | | |
| D603,602 | S | 11/2009 | Richardson et al. | | | | |
| D603,603 | S | 11/2009 | Laine et al. | | | | |
| D605,850 | S | 12/2009 | Richardson et al. | | | | |

OTHER PUBLICATIONS

- The OtterBox Commuter Series 3GS for iPhone, <URL:http://www.otterbox.com/iphone-cases/iphone-3g-3gs-cases, retrieved from internet May 9, 2010.
- Seidio FlexArmor, <URL:http://www.seidioonline.com/PhotoGallery.asp?, retrieved from internet May 9, 2010.
- Silicylic Polycarbonate Case with Silicone Core for iPhone 3G 3GS—Olive Green, <URL:http://www.myincipio.com/product/IPHONE_3G_IPH-617, retrieved from internet May 9, 2010.
- BlackBerry Storm Computer Series Case, URL:http://www.otterbox.com/blackberry-storm-commuter-case/> Mar. 24, 2010.
- Incipio Holster for Motorola RAZR, URL:http://www.myincipio.com/products/RAZR_HOLSTER_ID-279/Incipio-Ultra_Light-weight-Motorola-V3, v3m-v3i-v3c-RAZR-Magnesium-Play-Thru-Holster-Belt-Carrying-Case--Pink.html, Mar. 24, 2010.
- U.S. Appl. No. 29/385,458, filed Feb. 14, 2011, which is pending.
- U.S. Appl. No. 29/412,879, filed Feb. 8, 2012, which is pending.
- U.S. Appl. No. 29/412,884, filed Feb. 8, 2012, which is pending.
- U.S. Appl. No. 29/412,885, filed Feb. 8, 2012, which is pending.
- U.S. Appl. No. 29/412,883, filed Feb. 8, 2012, which is pending.
- U.S. Appl. No. 29/412,881, filed Feb. 8, 2012, which is pending.
- U.S. Appl. No. 29/416,006, filed Mar. 16, 2012, which is pending.

* cited by examiner

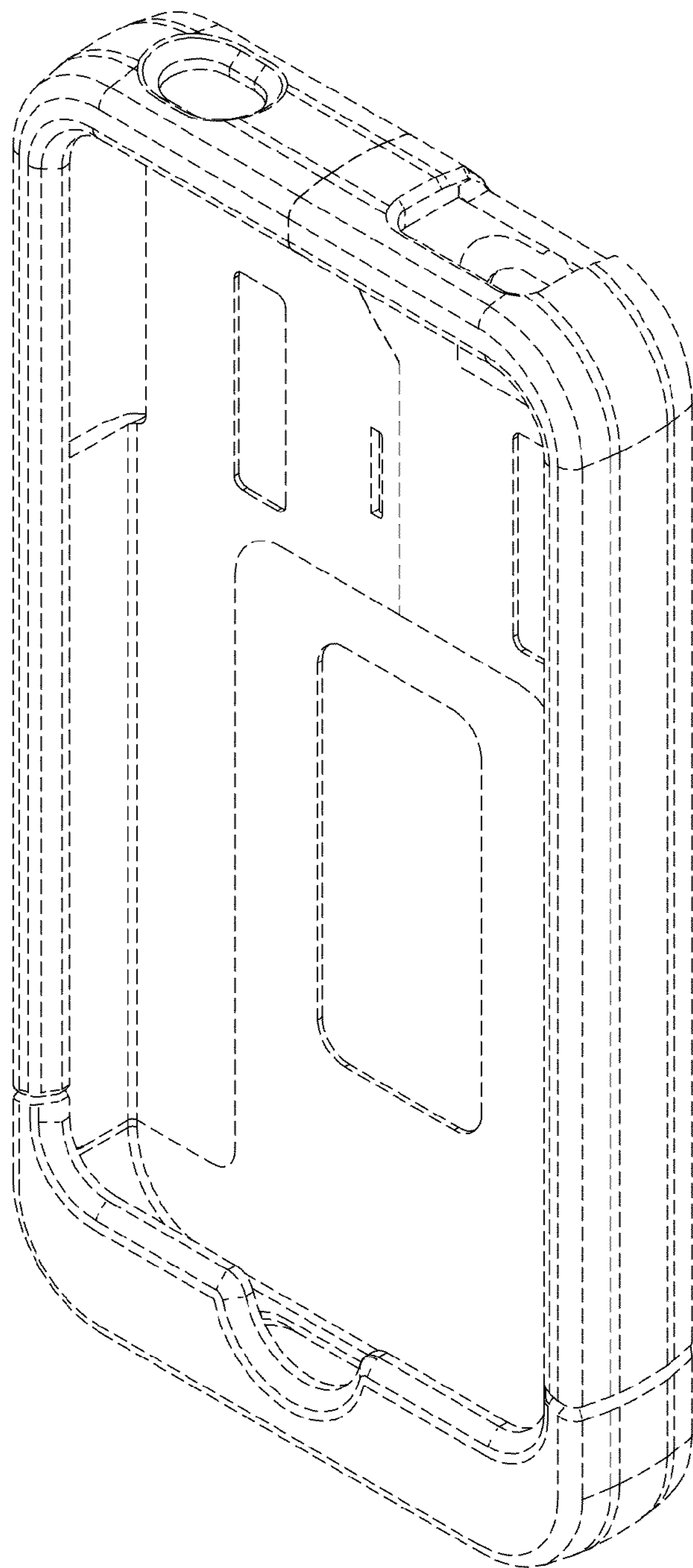


FIG. 1

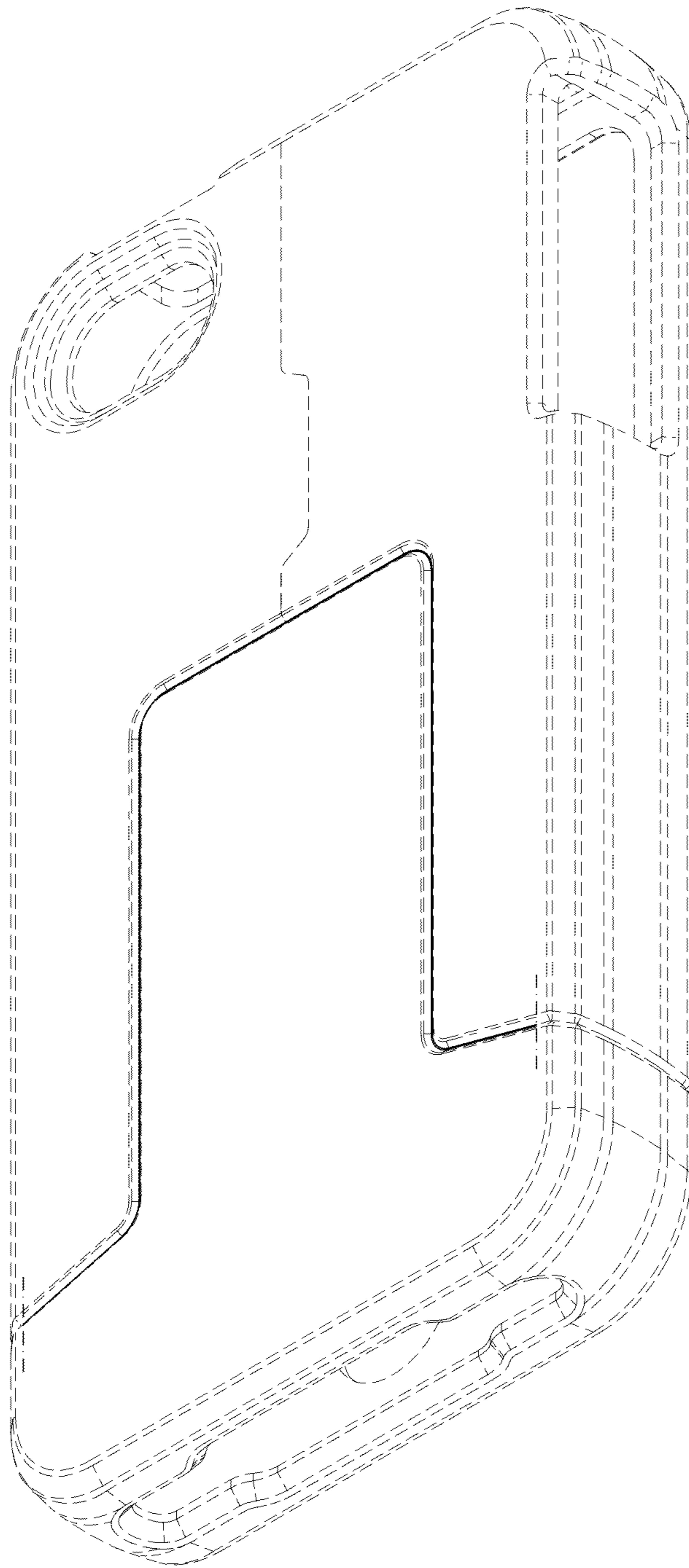


FIG. 2

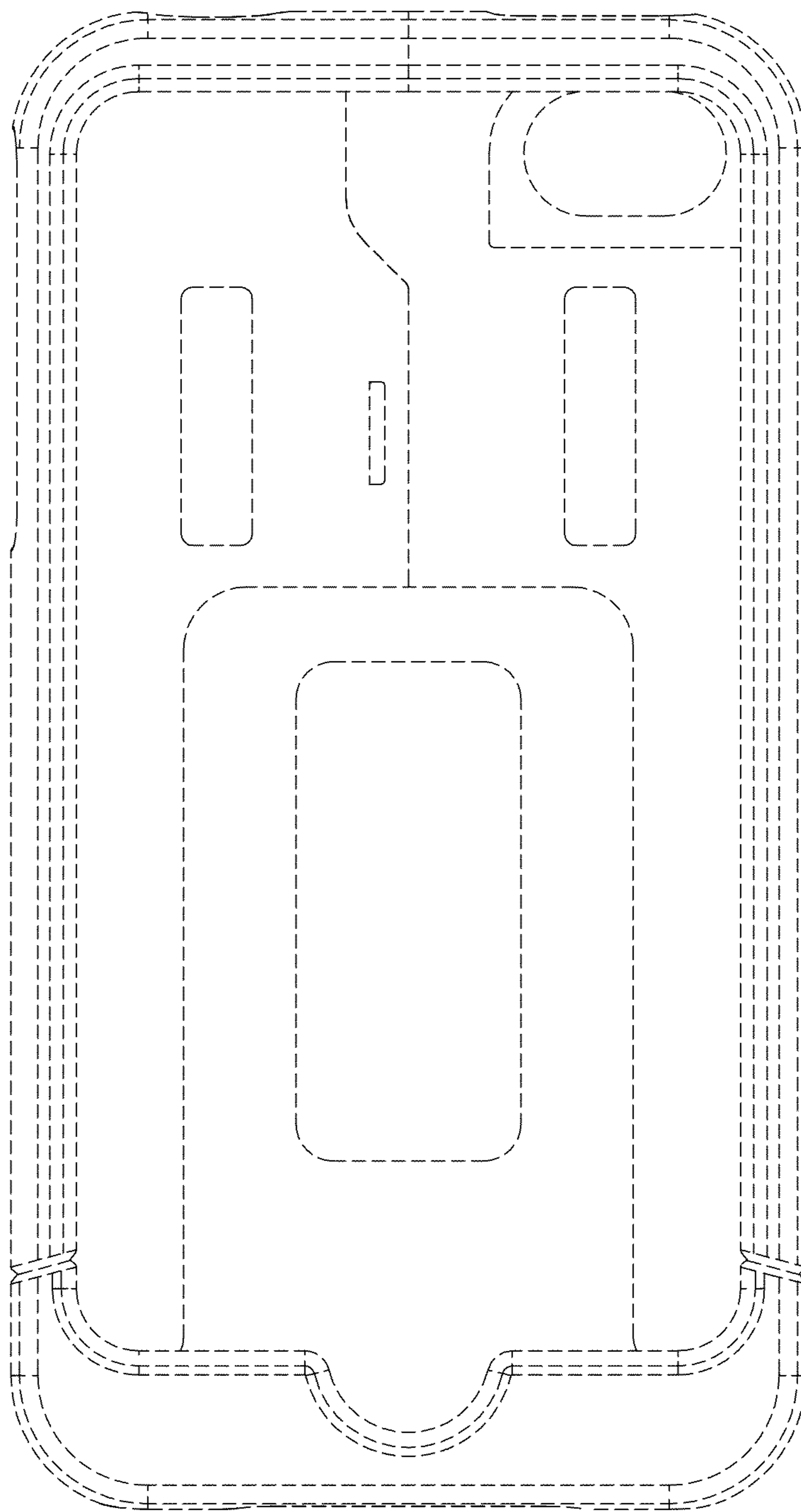


FIG. 3

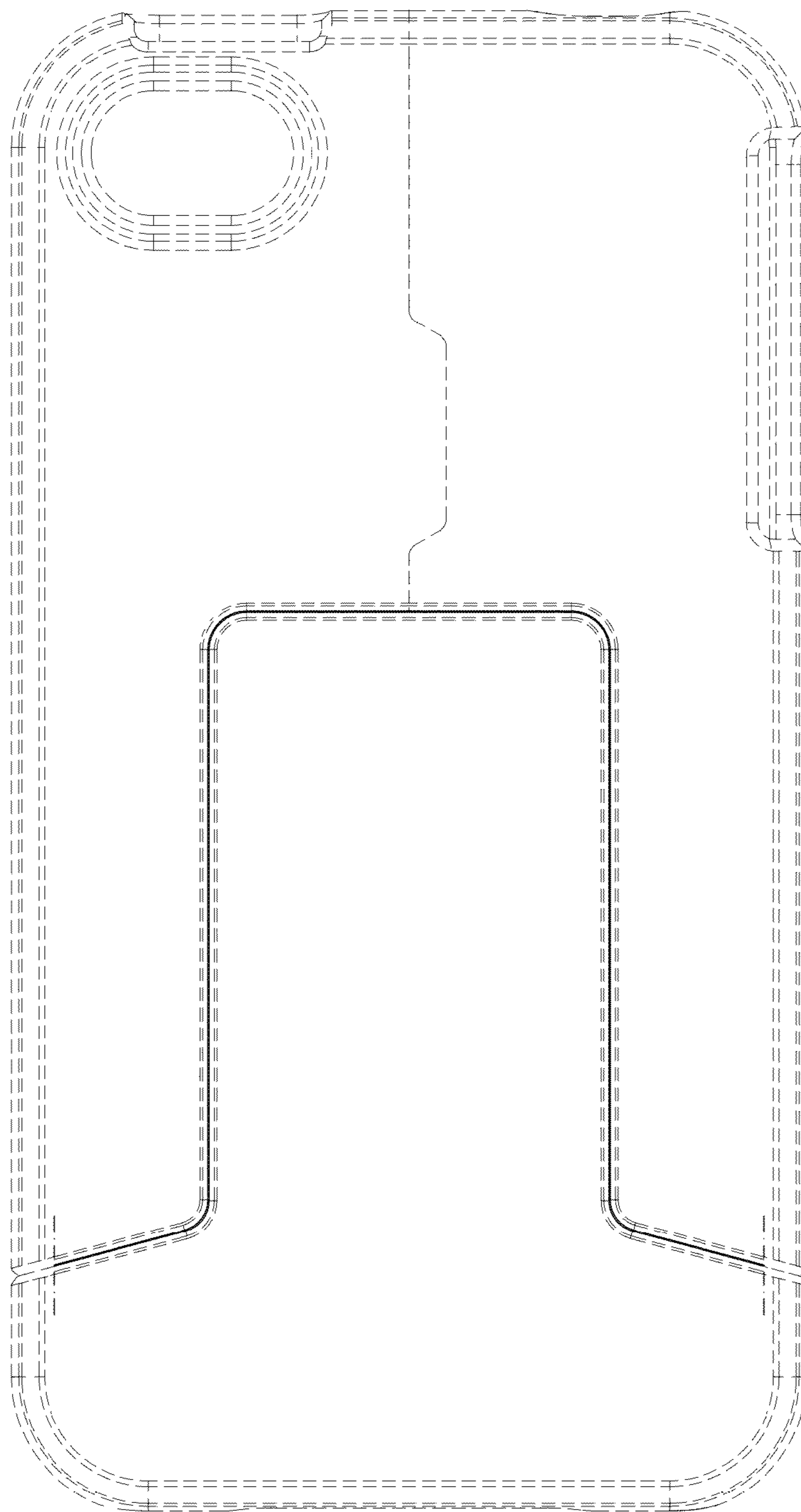


FIG. 4

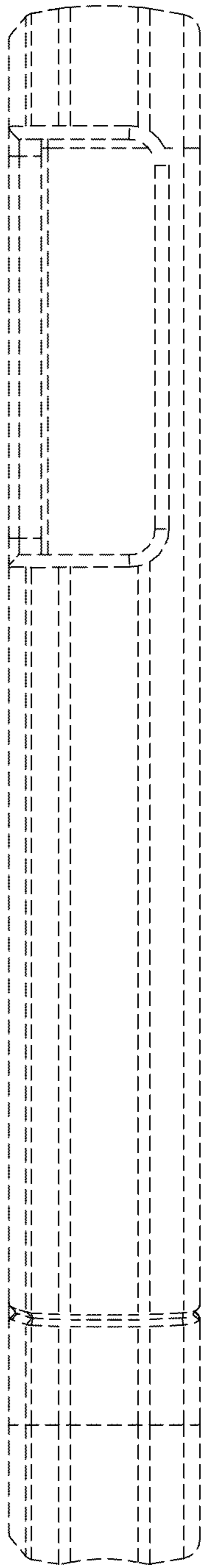


FIG. 5

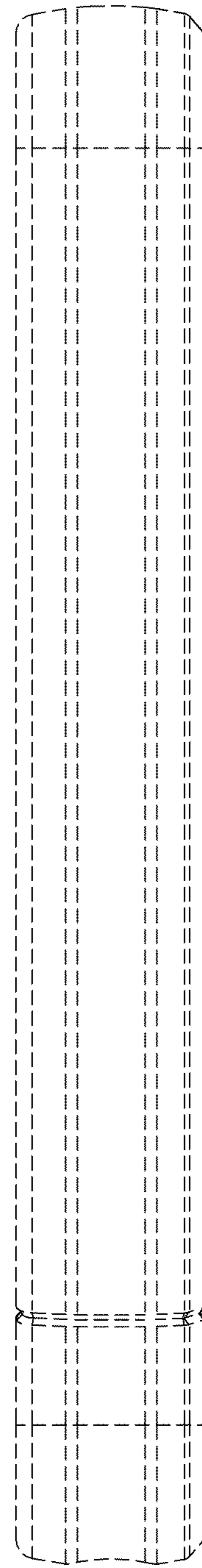


FIG. 6

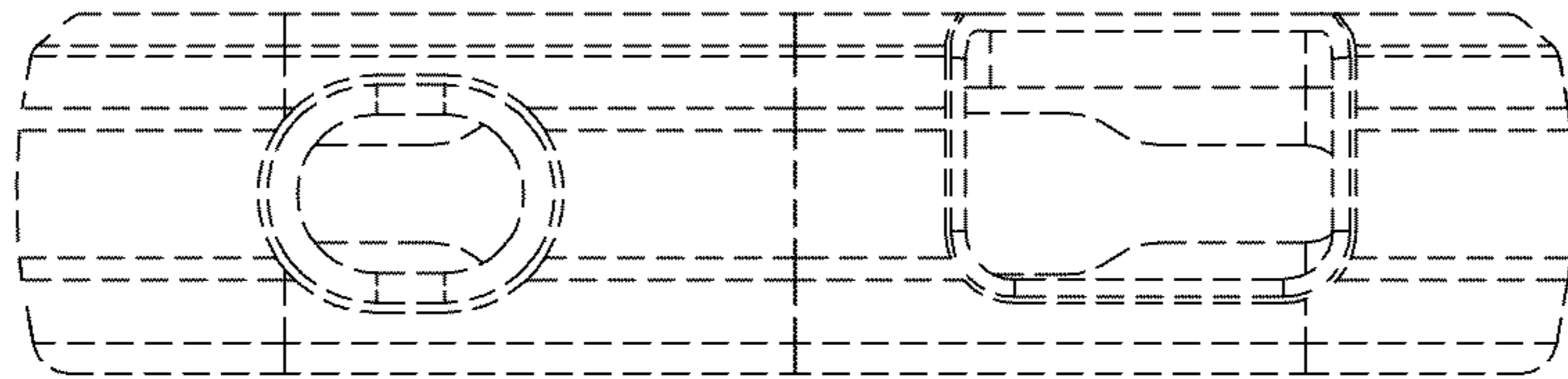


FIG. 7

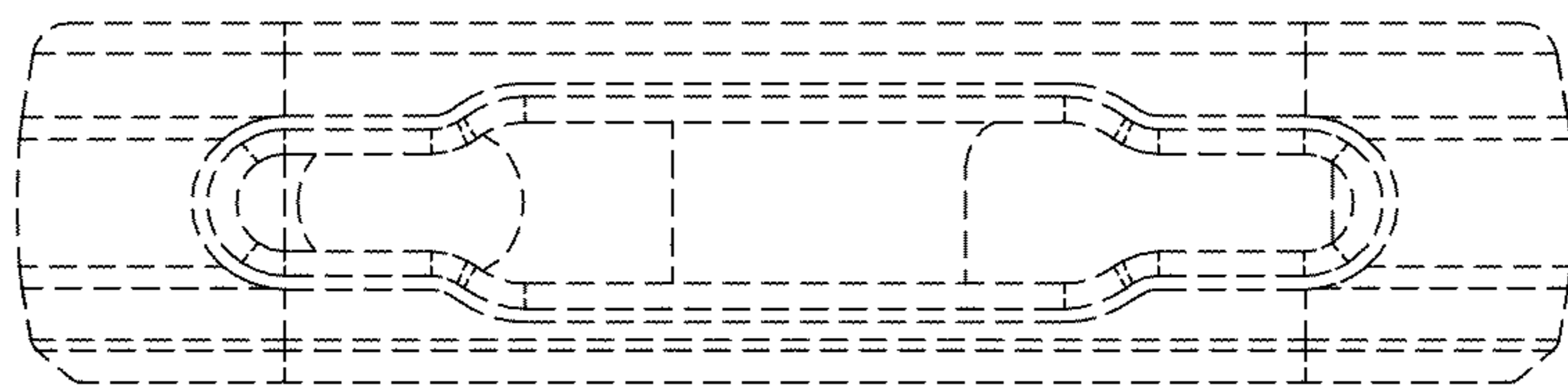


FIG. 8