



US00D720730S

(12) **United States Design Patent**
Smith et al.

(10) **Patent No.:** **US D720,730 S**
(45) **Date of Patent:** **** Jan. 6, 2015**

- (54) **ACOUSTIC COUPLER**
- (71) Applicant: **SureFire, LLC**, Fountain Valley, CA (US)
- (72) Inventors: **Richard C. Smith**, Costa Mesa, CA (US); **Alfredo Soria**, Corona, CA (US); **Diann Y. Smith**, Costa Mesa, CA (US)
- (73) Assignee: **SureFire, LLC**, Fountain Valley, CA (US)
- (**) Term: **14 Years**
- (21) Appl. No.: **29/453,155**
- (22) Filed: **Apr. 25, 2013**
- (51) **LOC (10) Cl.** **14-03**
- (52) **U.S. Cl.**
USPC **D14/242**
- (58) **Field of Classification Search**
CPC H01L 12/00; H03K 17/00; H04W 88/00; H04W 88/005; H04W 88/02; H04W 88/08; H04W 88/085; H04W 88/10; H04W 88/12; H04W 88/14; H04B 1/38
USPC D14/242, 240, 223, 205, 435.1, 357, D14/358, 140-140.9, 155, 137, 139, 243, D14/348, 349, 351, 354, 355, 138 AD; 375/222
See application file for complete search history.

(56) **References Cited**

U.S. PATENT DOCUMENTS

2,584,402	A *	2/1952	Volkman	181/129
4,118,606	A *	10/1978	Larkin	379/430
5,459,290	A *	10/1995	Yamagishi	181/129
5,781,638	A *	7/1998	Hosaka et al.	381/322
D430,145	S *	8/2000	Boyden et al.	D14/223
D449,295	S *	10/2001	Smith et al.	D14/223
D542,282	S *	5/2007	Yoshiyama	D14/223
D543,972	S *	6/2007	Taylor	D14/223

D563,945	S *	3/2008	Johns et al.	D14/205
D575,278	S *	8/2008	Guccione et al.	D14/223
D645,458	S *	9/2011	Silvestri et al.	D14/223
D653,244	S *	1/2012	Birger	D14/223
D657,347	S *	4/2012	Chung et al.	D14/206
D662,915	S *	7/2012	Halkosaari et al.	D14/223
D681,002	S *	4/2013	Ham et al.	D14/205
D691,105	S *	10/2013	Ito et al.	D14/205
RE44,672	E *	12/2013	Yang et al.	D14/223
D695,276	S *	12/2013	Chee	D14/223
D695,720	S *	12/2013	Chee	D14/223
D700,592	S *	3/2014	Boschung et al.	D14/223
D701,195	S *	3/2014	Katsumata	D14/223
D705,758	S *	5/2014	Drambarean	D14/223
2002/0096391	A1 *	7/2002	Smith et al.	181/135
2008/0253605	A1 *	10/2008	Smith	381/381

* cited by examiner

Primary Examiner — Bridget L Eland

(74) *Attorney, Agent, or Firm* — Haynes and Boone, LLP

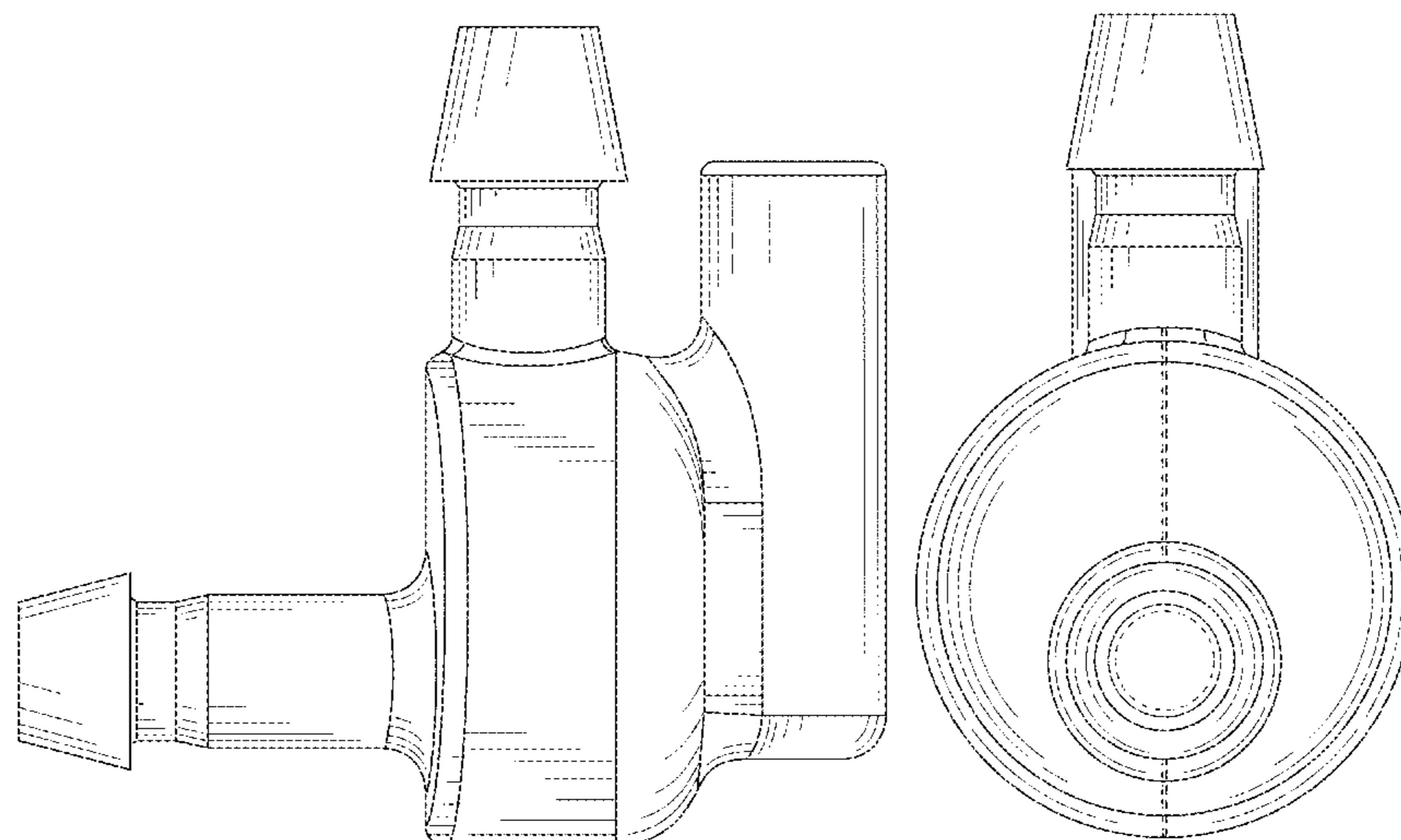
(57) **CLAIM**

The ornamental design for an acoustic coupler, as shown and described.

DESCRIPTION

FIG. 1 is a front perspective view of an acoustic coupler showing our new design;
 FIG. 2 is a rear perspective view thereof;
 FIG. 3 is a left side elevational view thereof;
 FIG. 4 is a right side elevational view thereof;
 FIG. 5 is a top plan view thereof;
 FIG. 6 is a bottom plan view thereof;
 FIG. 7 is a front side elevational view thereof; and
 FIG. 8 is a rear side elevational view thereof.
 FIG. 9 is a left side elevational view of the acoustic coupler attached to an example earpiece and an example cable assembly; and,
 FIG. 10 is an enlarged left side elevational view thereof.
 The broken lines in the drawings illustrate environmental features and form no part of the claimed design.

1 Claim, 10 Drawing Sheets



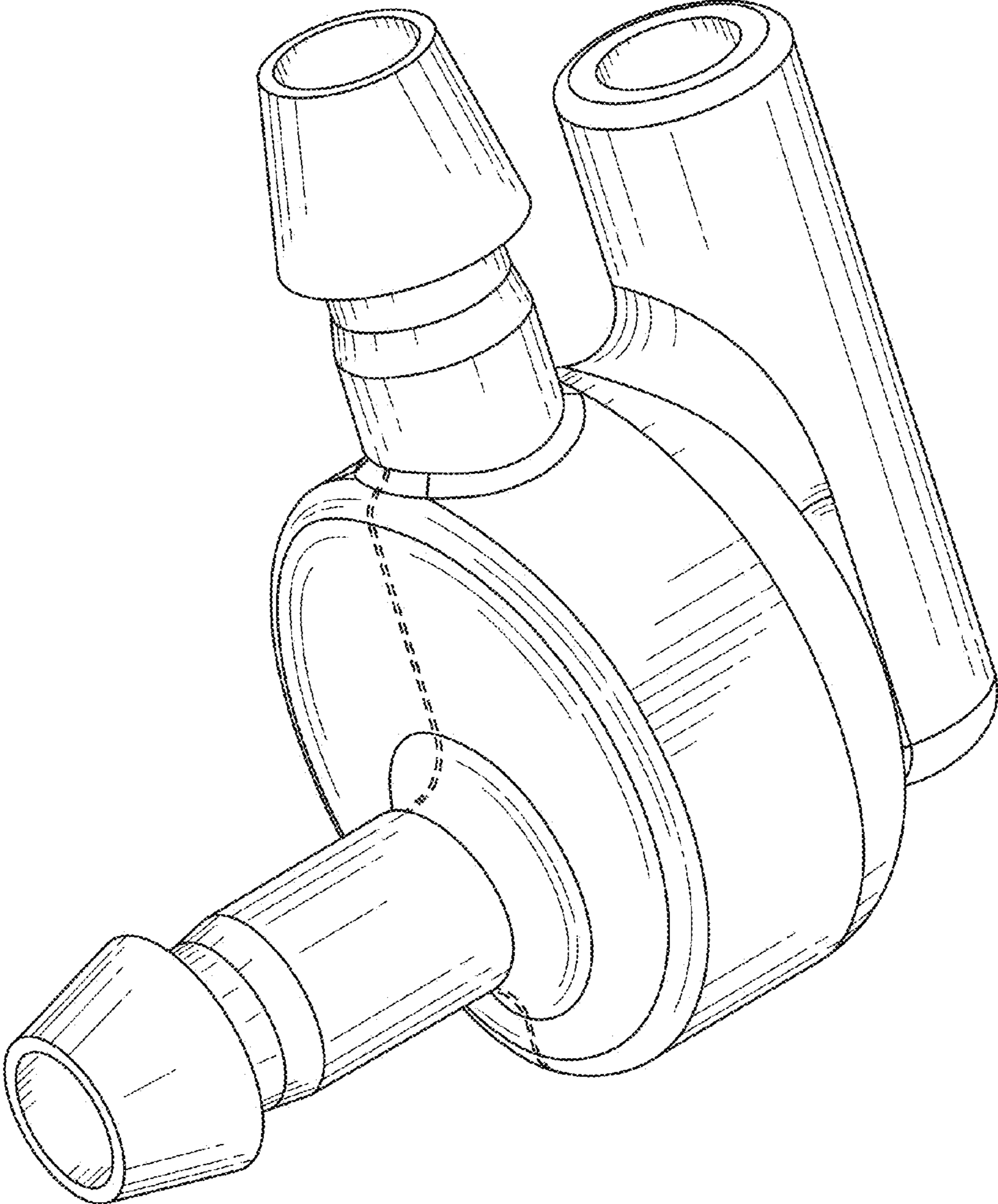


FIG. 1

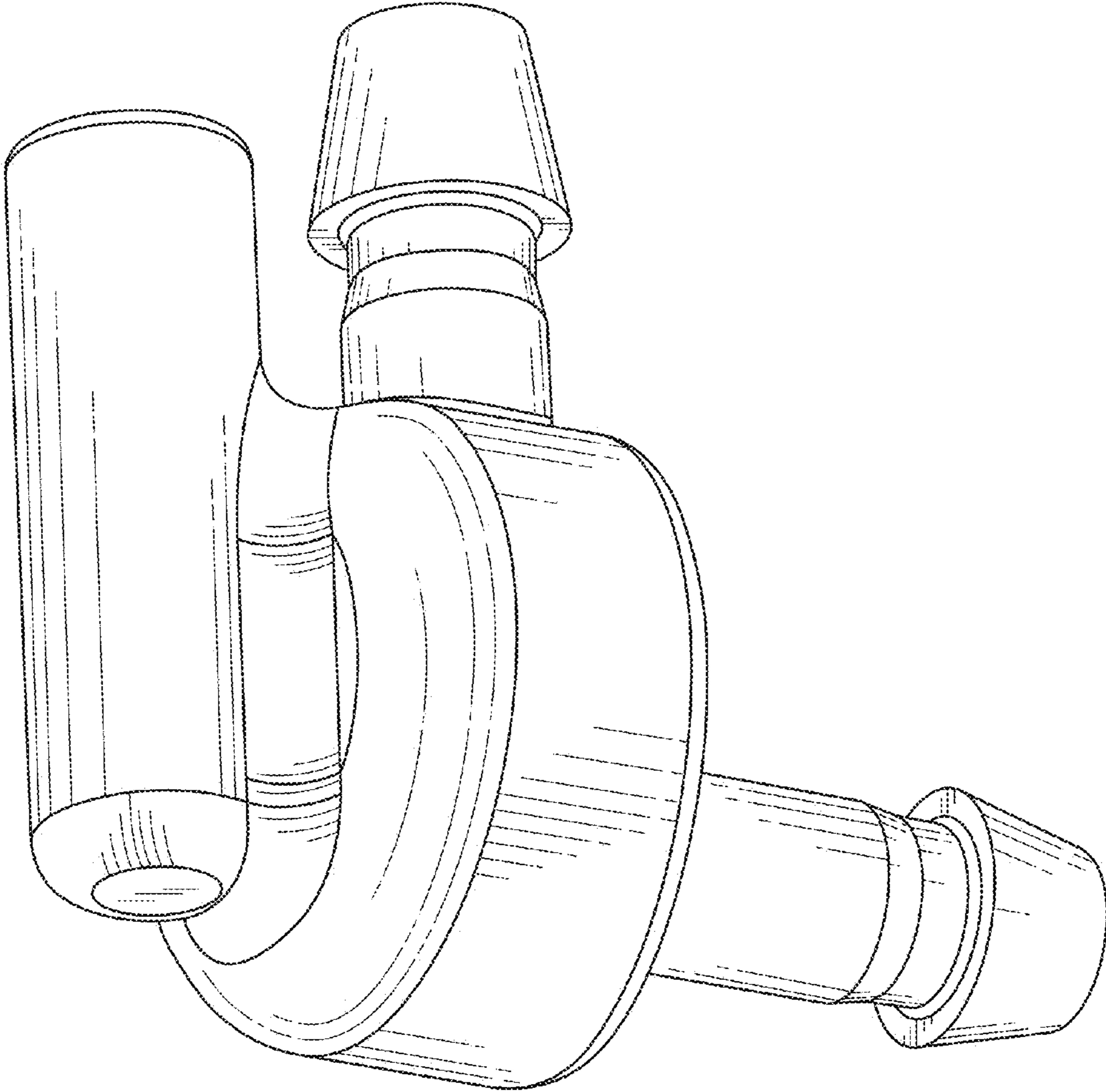


FIG. 2

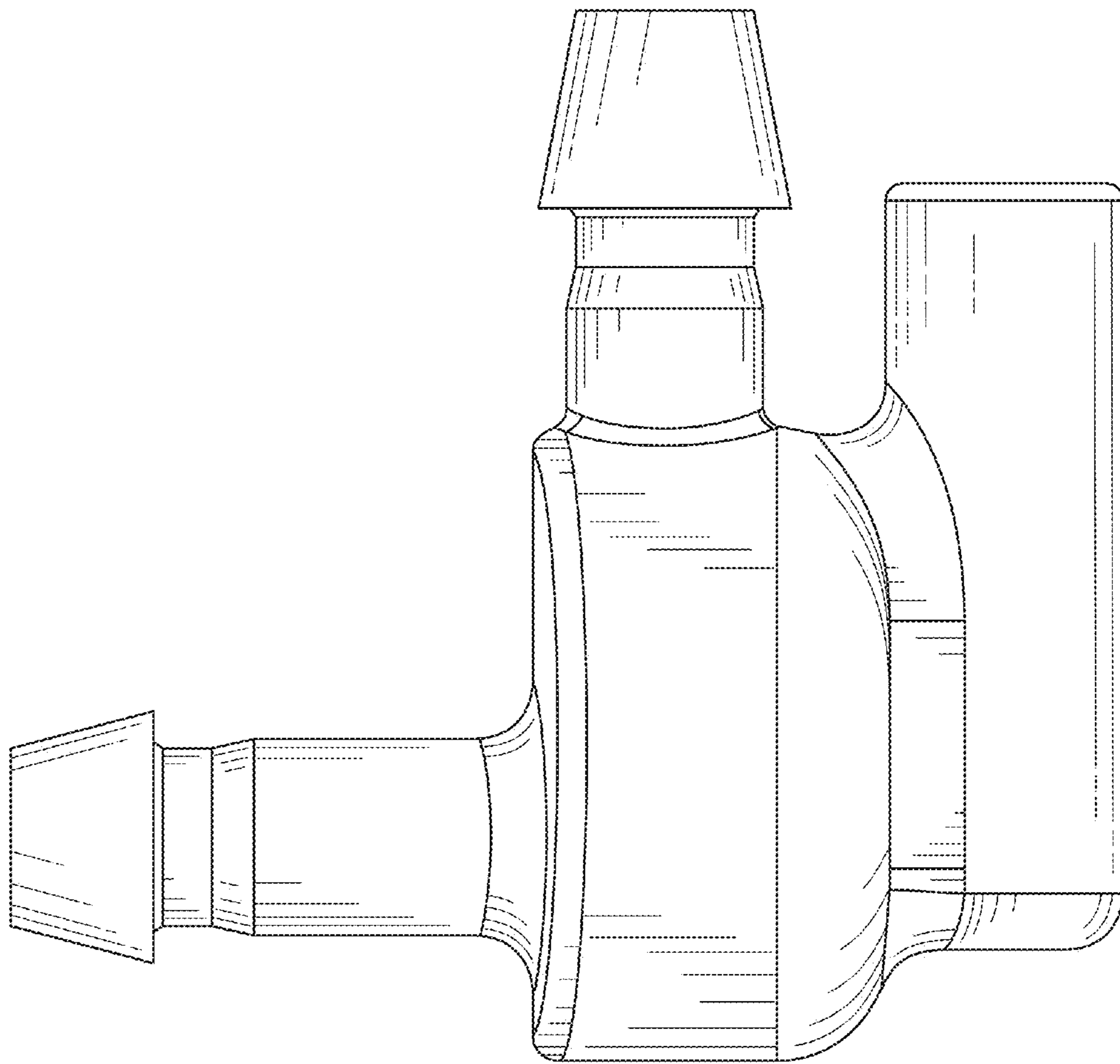


FIG. 3

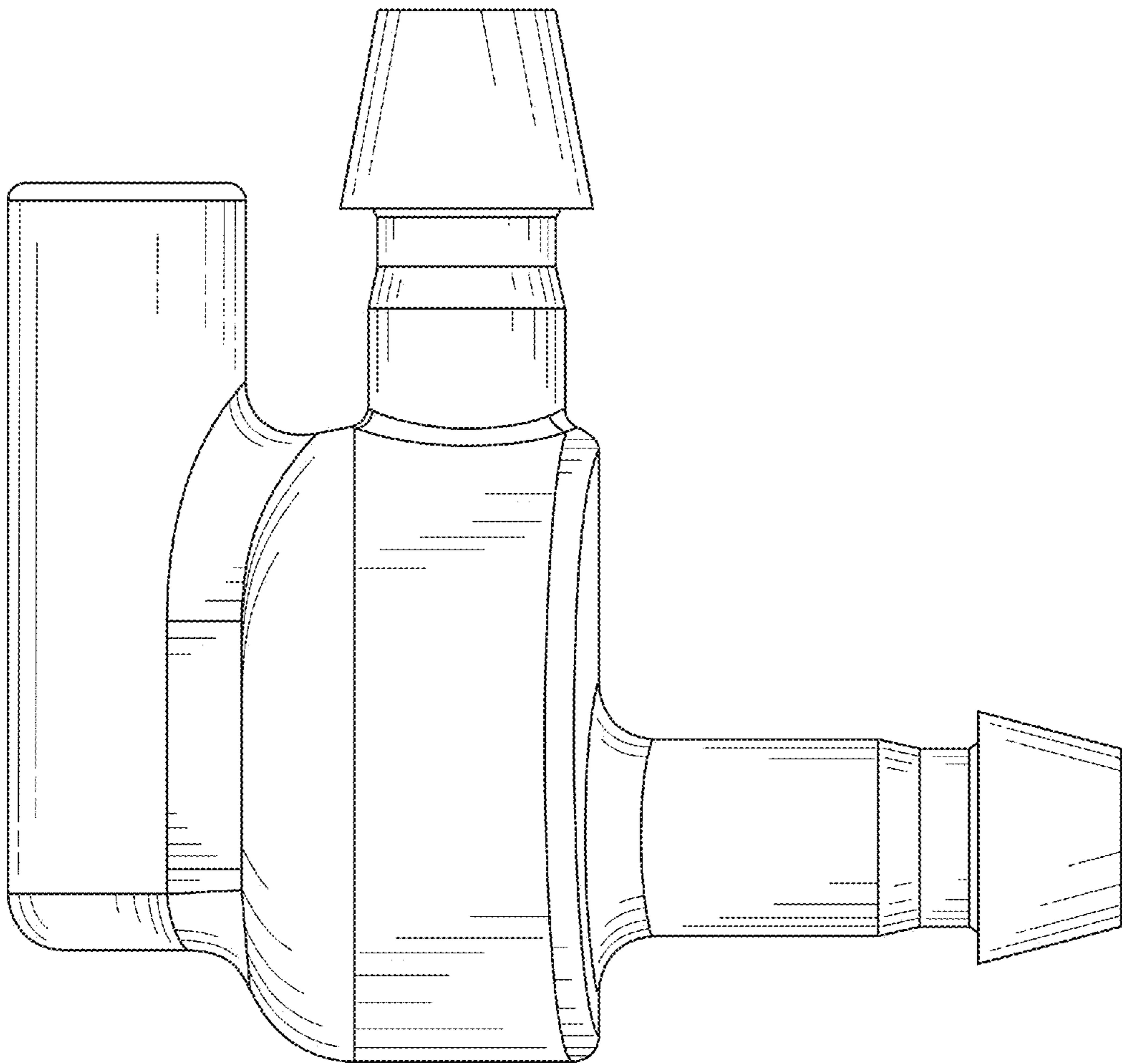


FIG. 4

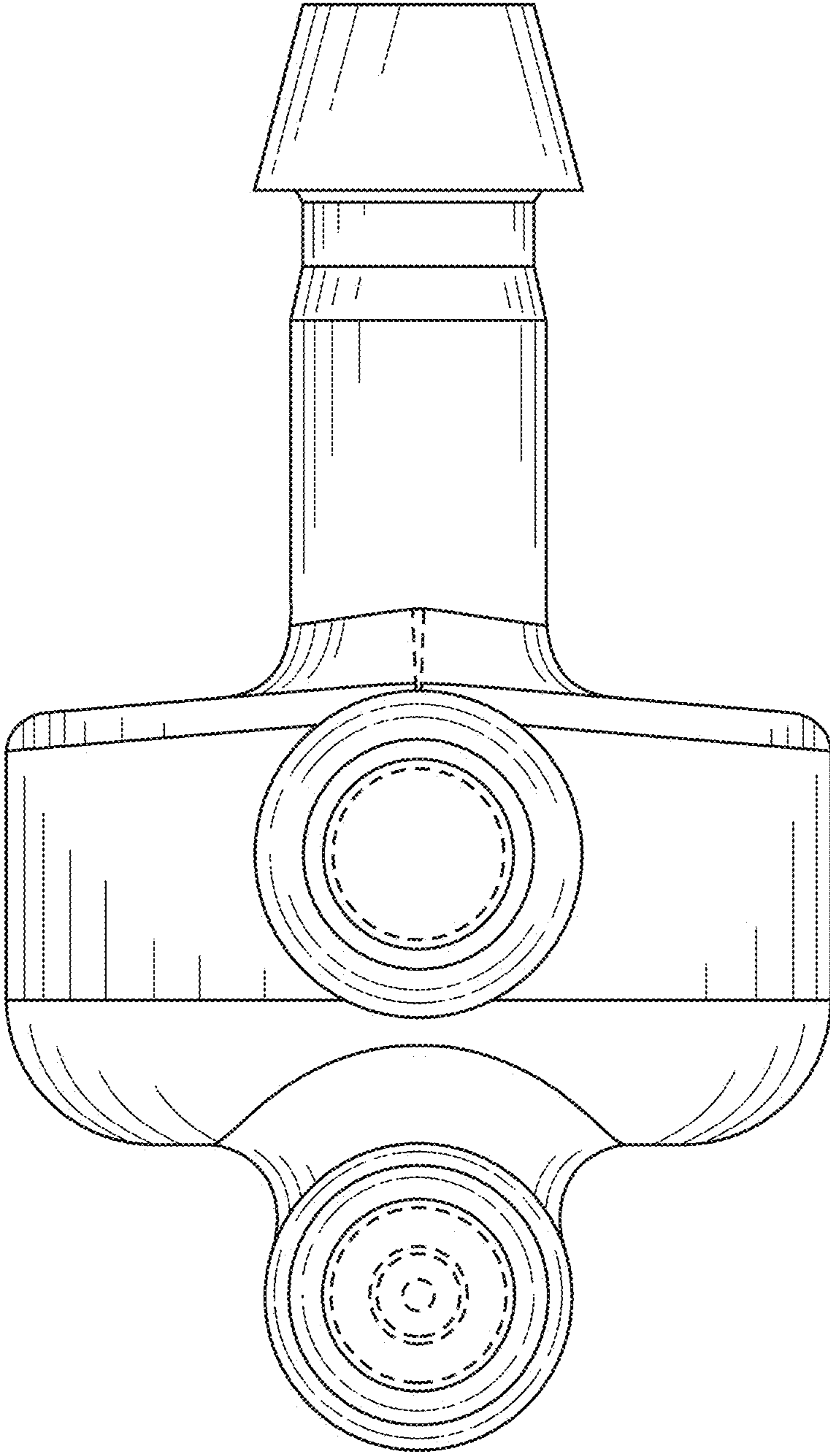


FIG. 5

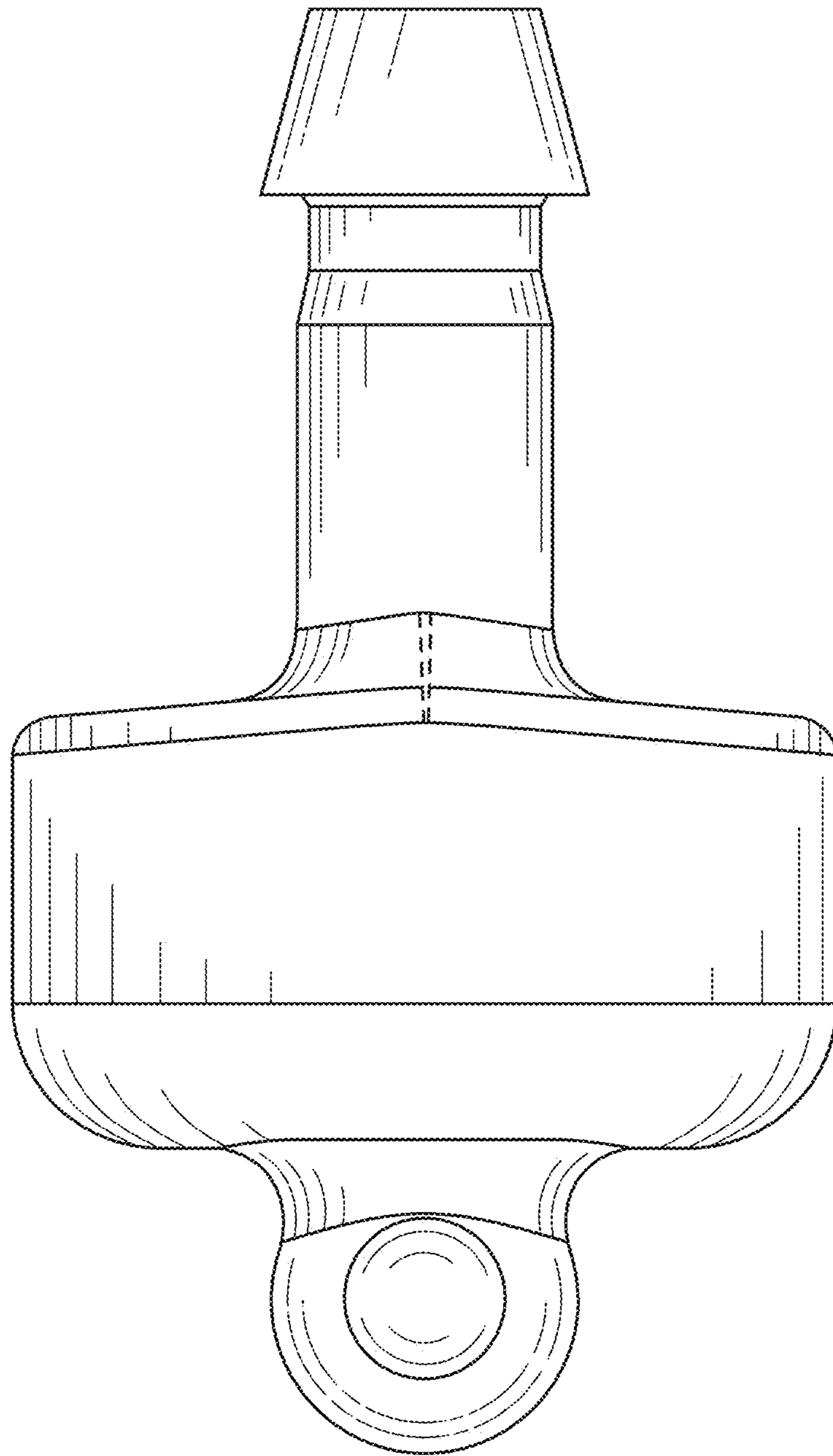


FIG. 6

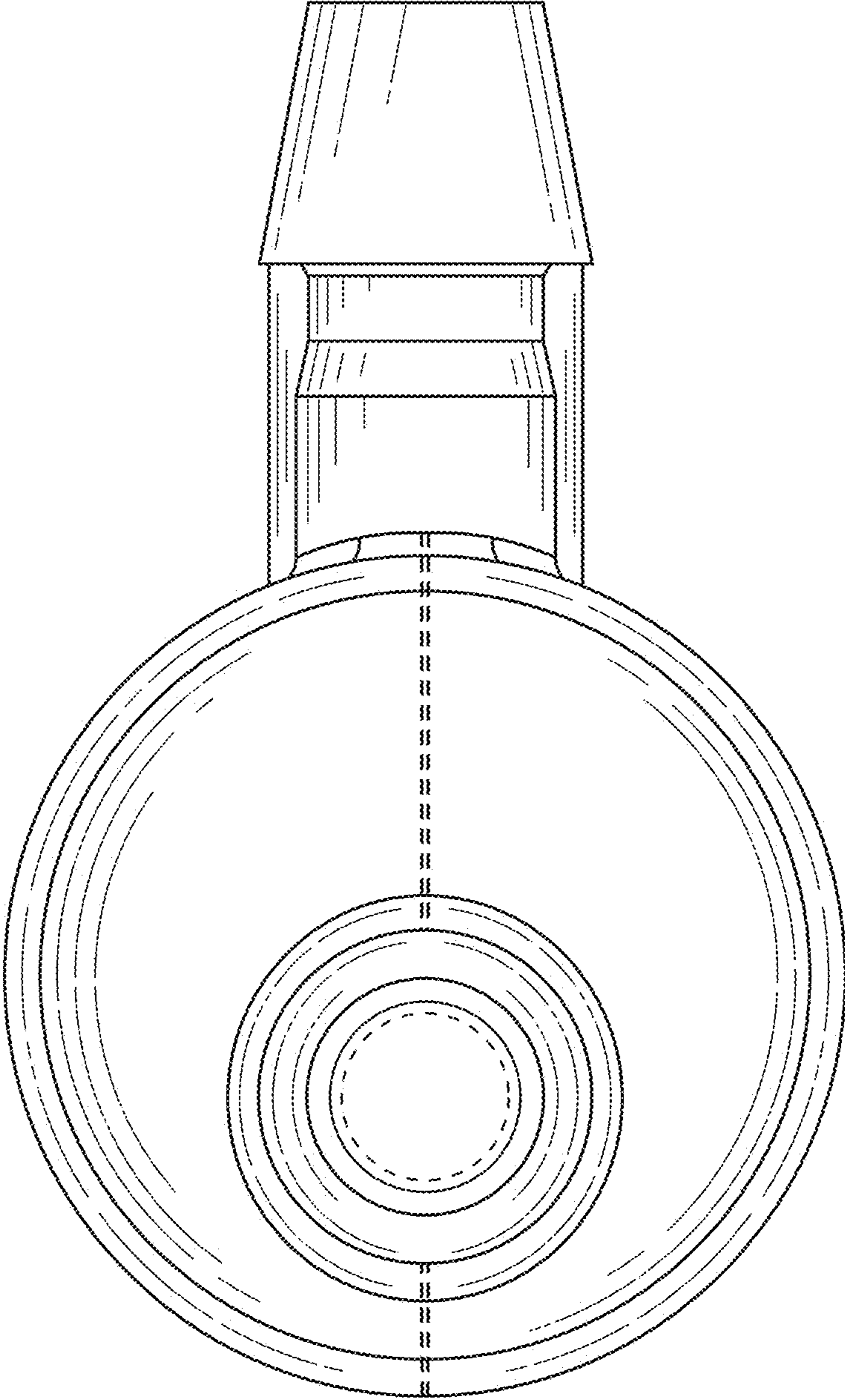


FIG. 7

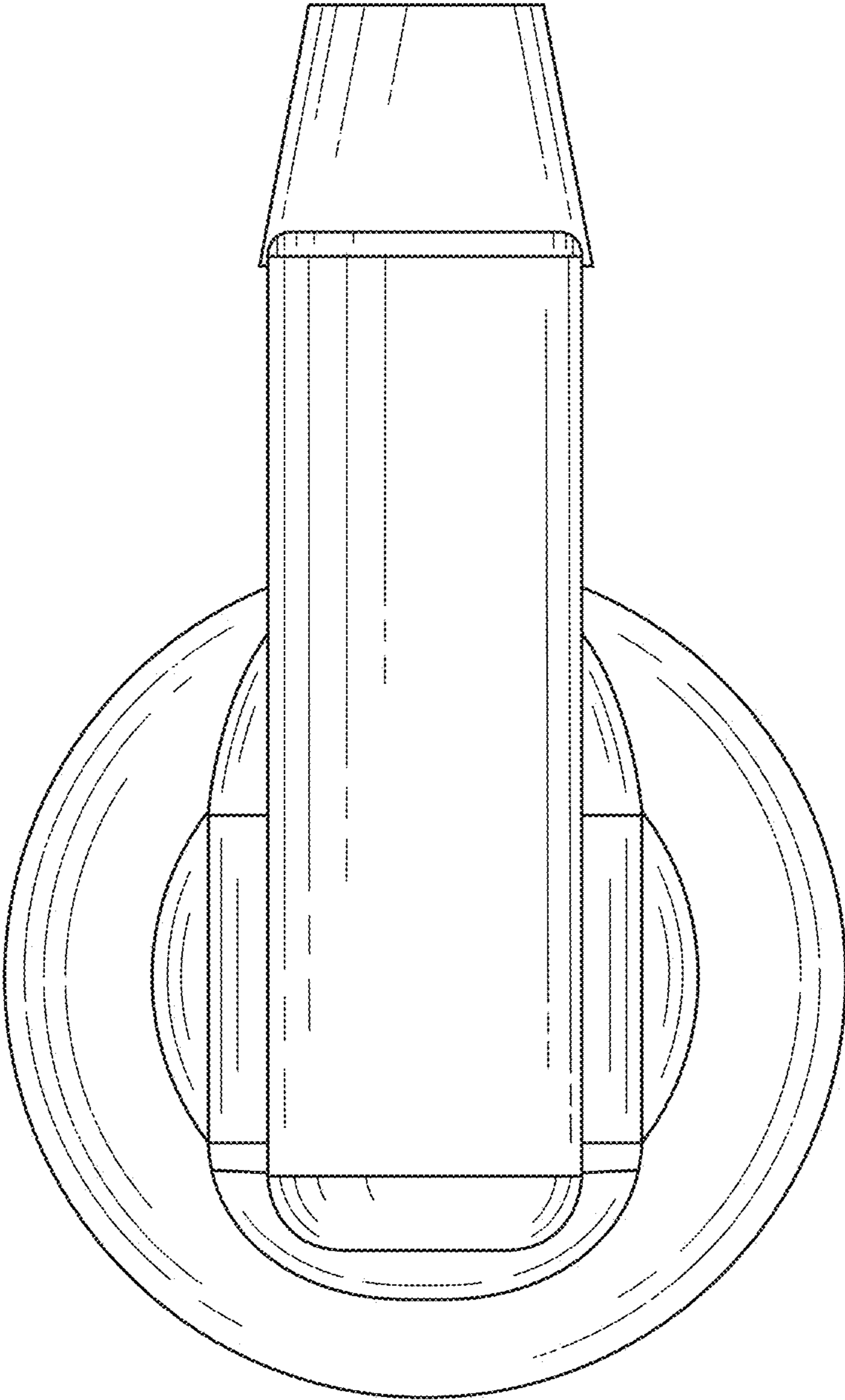


FIG. 8



FIG. 9

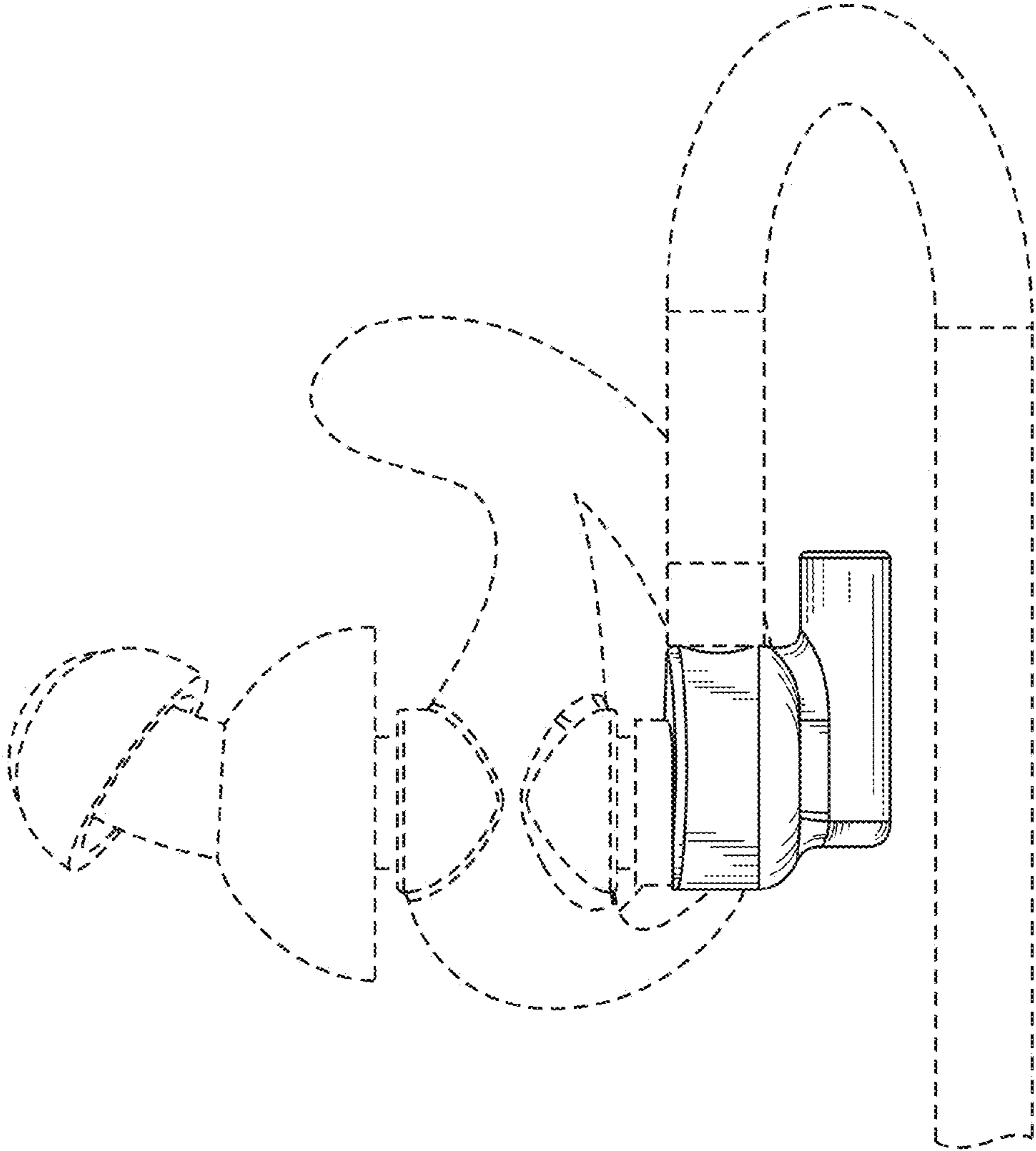


FIG. 10