



US00D720728S

(12) **United States Design Patent**  
**Trewartha**

(10) **Patent No.:** **US D720,728 S**

(45) **Date of Patent:** **\*\* Jan. 6, 2015**

(54) **STEREO MICROPHONE**

(71) Applicant: **Freedman Electronics Pty Limited,**  
Silverwater (AU)

(72) Inventor: **Samuel Dean Trewartha,** Silverwater  
(AU)

(73) Assignee: **Freedman Electronics Pty Limited,**  
Silverwater, New South Wales (AU)

(\*\*) Term: **14 Years**

(21) Appl. No.: **29/473,539**

(22) Filed: **Nov. 22, 2013**

(30) **Foreign Application Priority Data**

Nov. 14, 2013 (AU) ..... 15862/2013

(51) **LOC (10) Cl.** ..... **14-01**

(52) **U.S. Cl.**  
USPC ..... **D14/225**

(58) **Field of Classification Search**

USPC ..... D14/155, 167, 212, 214-221, 223-229,  
D14/240, 243, 249, 251, 416, 496, 497,  
D14/508; D16/208; D17/99; D21/513;  
181/158, 242; 381/26, 92, 174, 355,  
381/357, 358, 361, 369; 362/394, 86;  
455/575.2

See application file for complete search history.

(56) **References Cited**

**U.S. PATENT DOCUMENTS**

D245,776 S \* 9/1977 Dellar ..... D14/225  
4,070,547 A \* 1/1978 Dellar ..... 381/26  
D296,100 S \* 6/1988 Kubota ..... D14/228  
4,811,405 A \* 3/1989 Peiker ..... 381/365

D313,802 S \* 1/1991 Peiker ..... D14/227  
D530,706 S \* 10/2006 Gustafson et al. .... D14/228  
D531,171 S \* 10/2006 Gustafson et al. .... D14/228  
D542,262 S \* 5/2007 Oka ..... D14/167  
D578,994 S \* 10/2008 Oka ..... D14/167  
D581,898 S \* 12/2008 Oka ..... D14/167  
D601,120 S \* 9/2009 Aoki ..... D14/167  
D611,925 S \* 3/2010 Miyazaki ..... D14/167  
D623,172 S \* 9/2010 Kondo et al. .... D14/227  
D649,524 S \* 11/2011 Miyazaki ..... D14/167

(Continued)

*Primary Examiner* — Susan Bennett Hattan

*Assistant Examiner* — Marie Fast Horse

(74) *Attorney, Agent, or Firm* — TraskBritt, P.C.

(57) **CLAIM**

The ornamental design for a stereo microphone, as shown and described.

**DESCRIPTION**

FIG. 1 is a bottom view of a stereo microphone showing my new design;

FIG. 2 is a rear view of the design;

FIG. 3 is a top view of the design;

FIG. 4 is a bottom view of the design shown in use;

FIG. 5 is a rear view of the design shown in use;

FIG. 6 is a top view of the design shown in use;

FIG. 7 is a front view of the design;

FIG. 8 is an angle view of the design;

FIG. 9 is an angle view of the design;

FIG. 10 is a side view of the design;

FIG. 11 is a front view of the design shown in use;

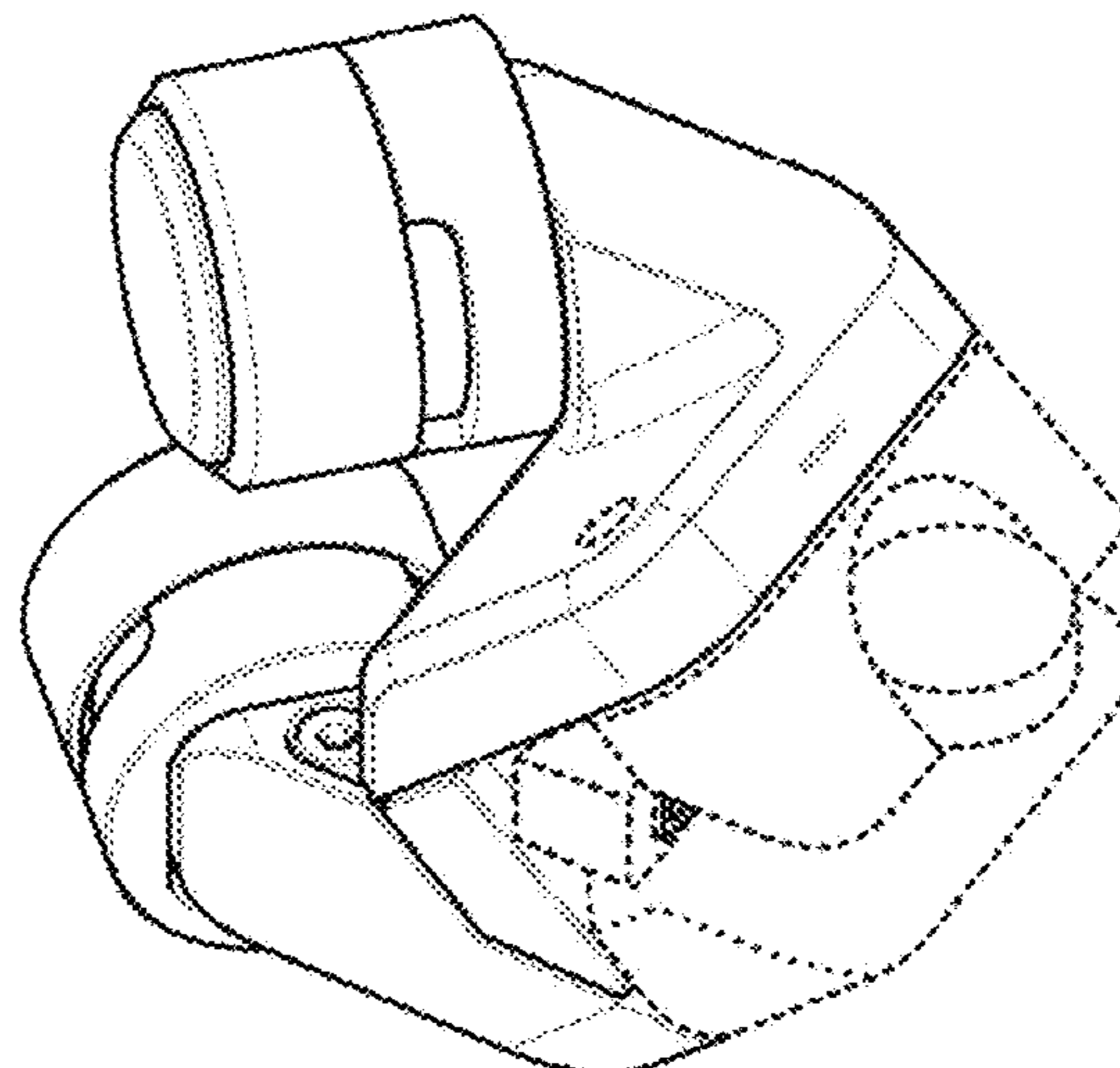
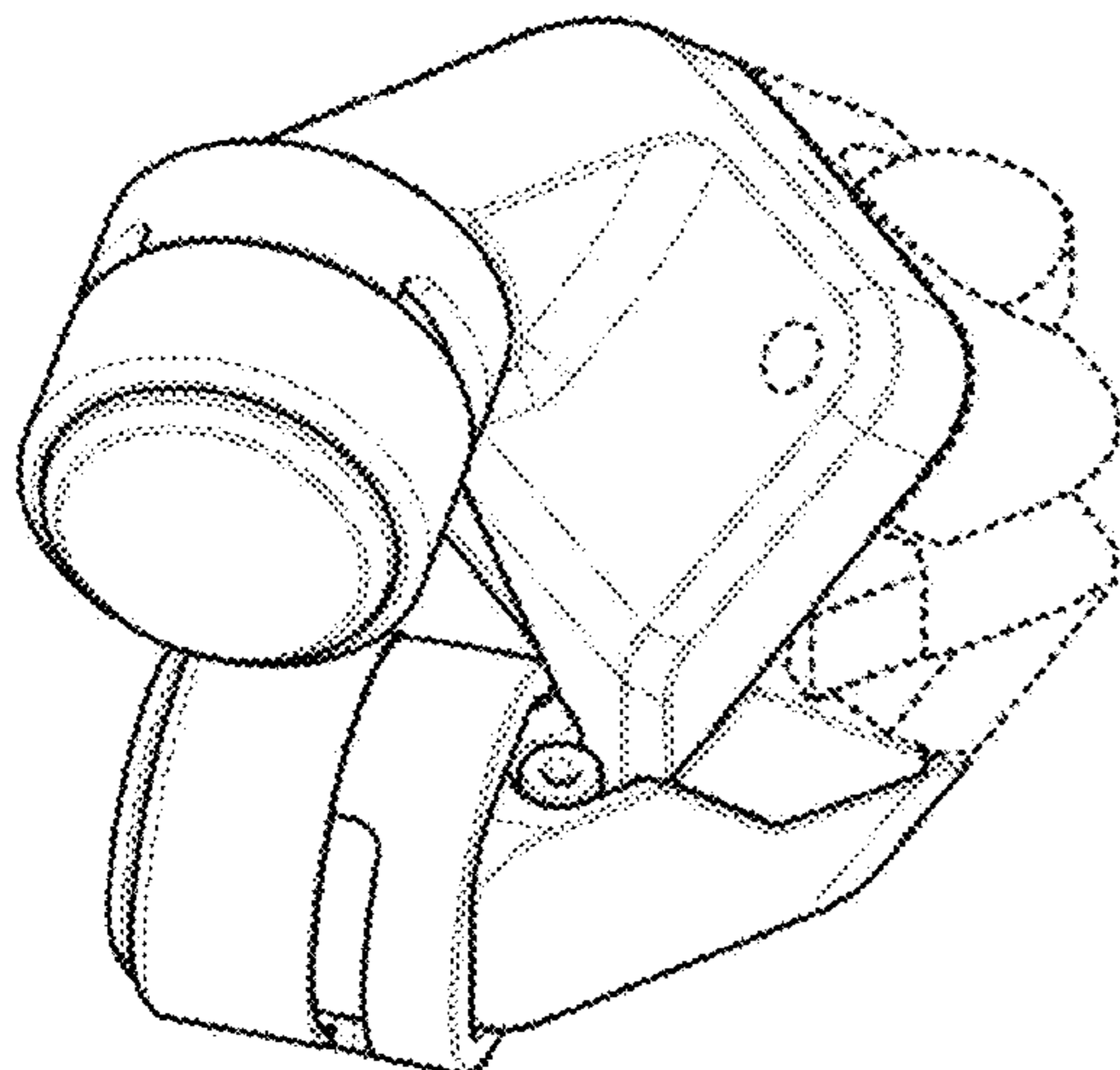
FIG. 12 is an angle view of the design shown in use;

FIG. 13 is an angle view of the design shown in use; and,

FIG. 14 is a side view of the design shown in use.

The broken lines in the drawings depict environmental subject matter only and form no part of the claimed design.

**1 Claim, 14 Drawing Sheets**



(56)

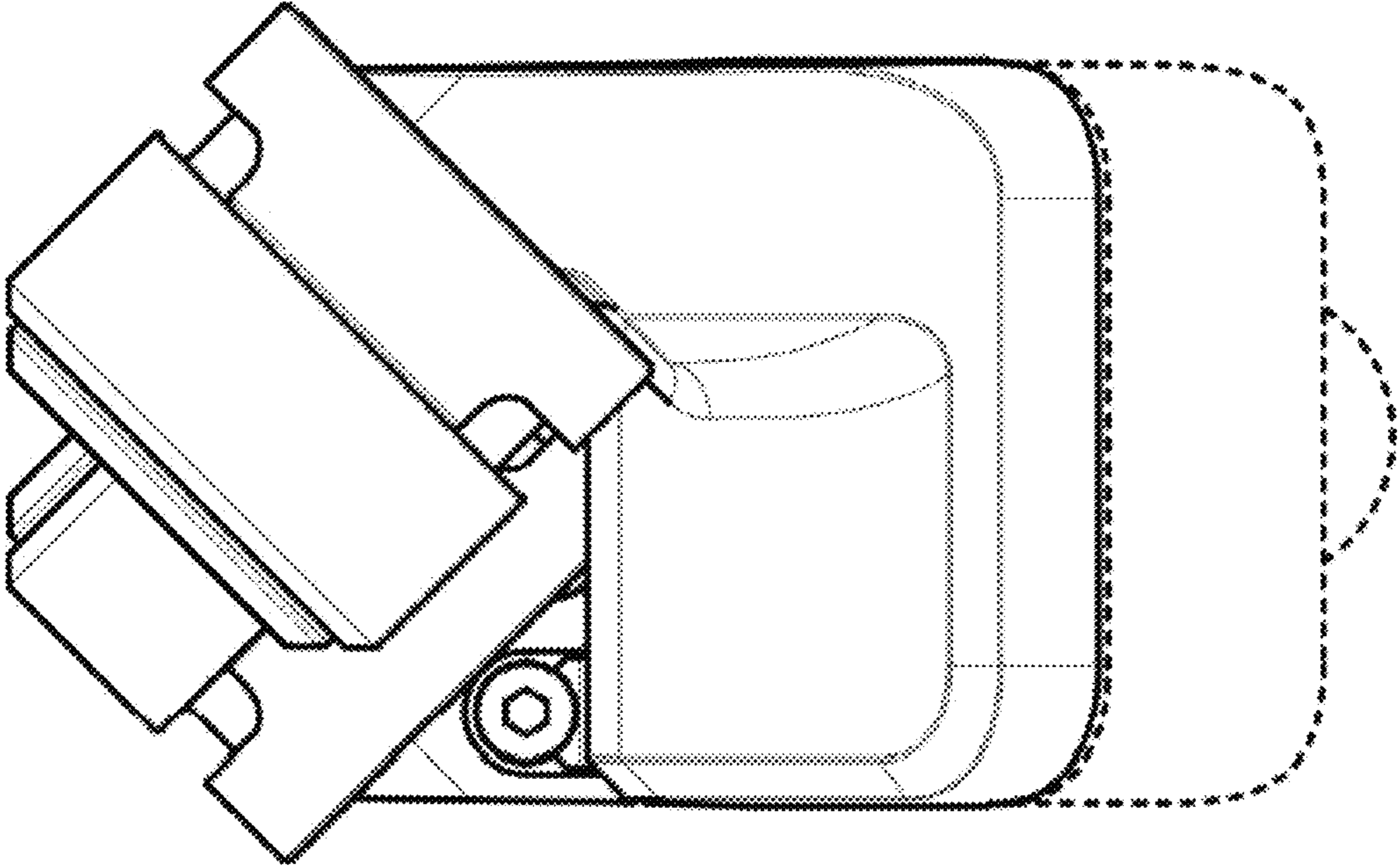
**References Cited**

U.S. PATENT DOCUMENTS

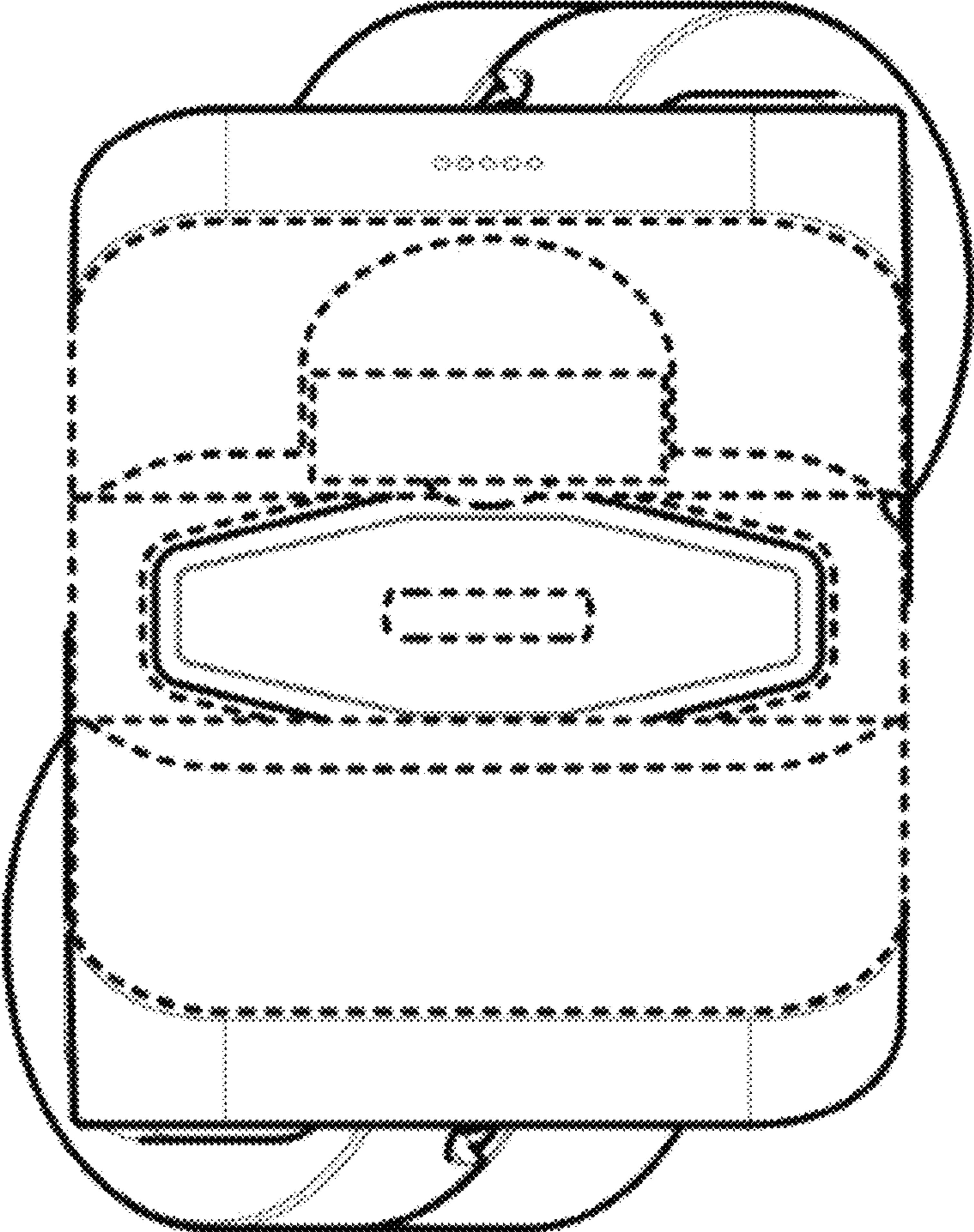
D658,163 S \* 4/2012 Iikura ..... D14/225  
D665,769 S \* 8/2012 Hayashi ..... D14/167  
D683,714 S \* 6/2013 Ito et al. .... D14/167

D707,207 S \* 6/2014 Cooper et al. .... D14/225  
D708,600 S \* 7/2014 Trewartha et al. .... D14/225  
2010/0008511 A1\* 1/2010 Kawano ..... 381/26  
2013/0108059 A1\* 5/2013 Ishizaki ..... 381/26  
2013/0108060 A1\* 5/2013 Ishizaki ..... 381/26

\* cited by examiner



**FIG. 1**



**FIG. 2**



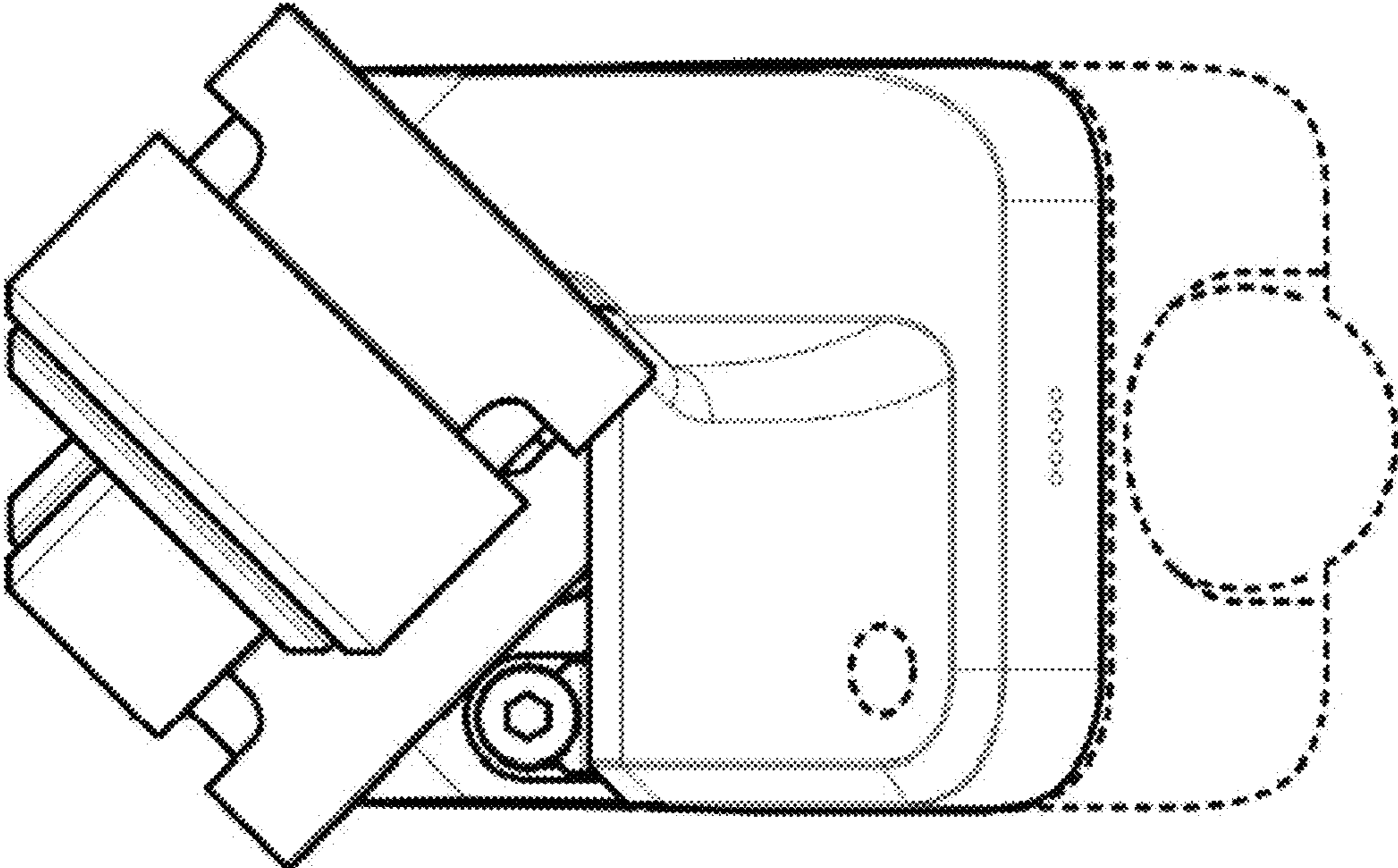
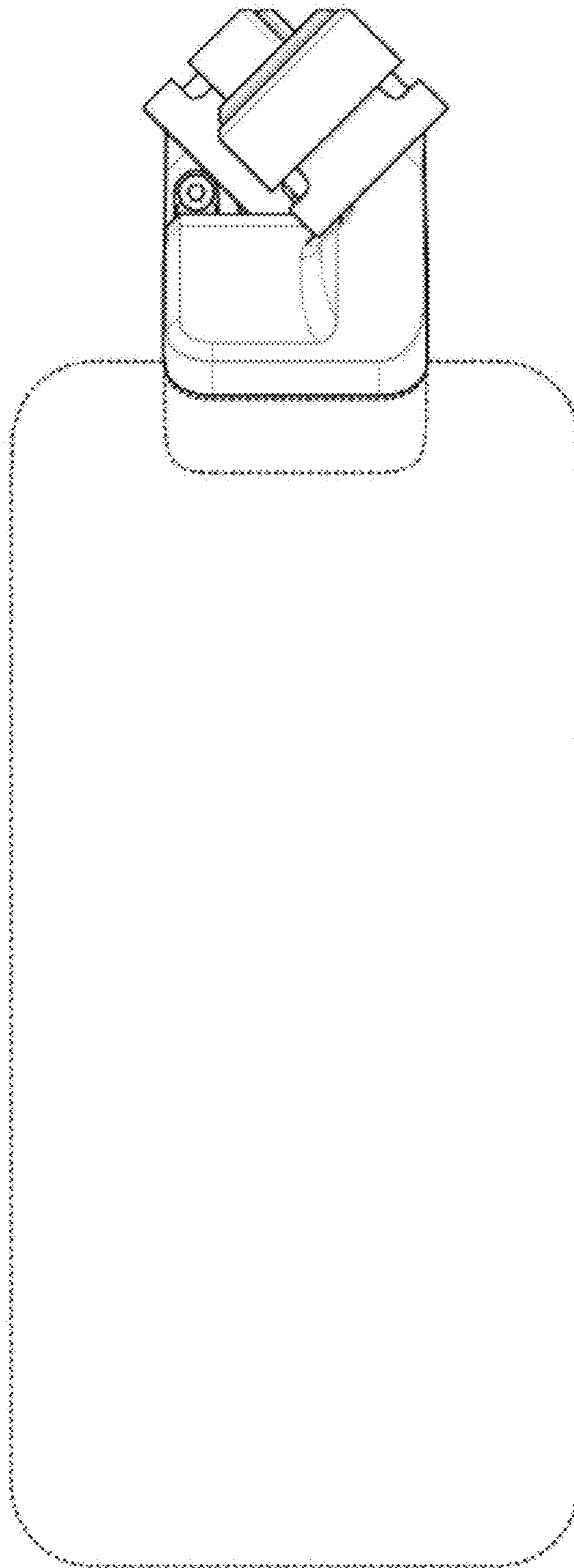
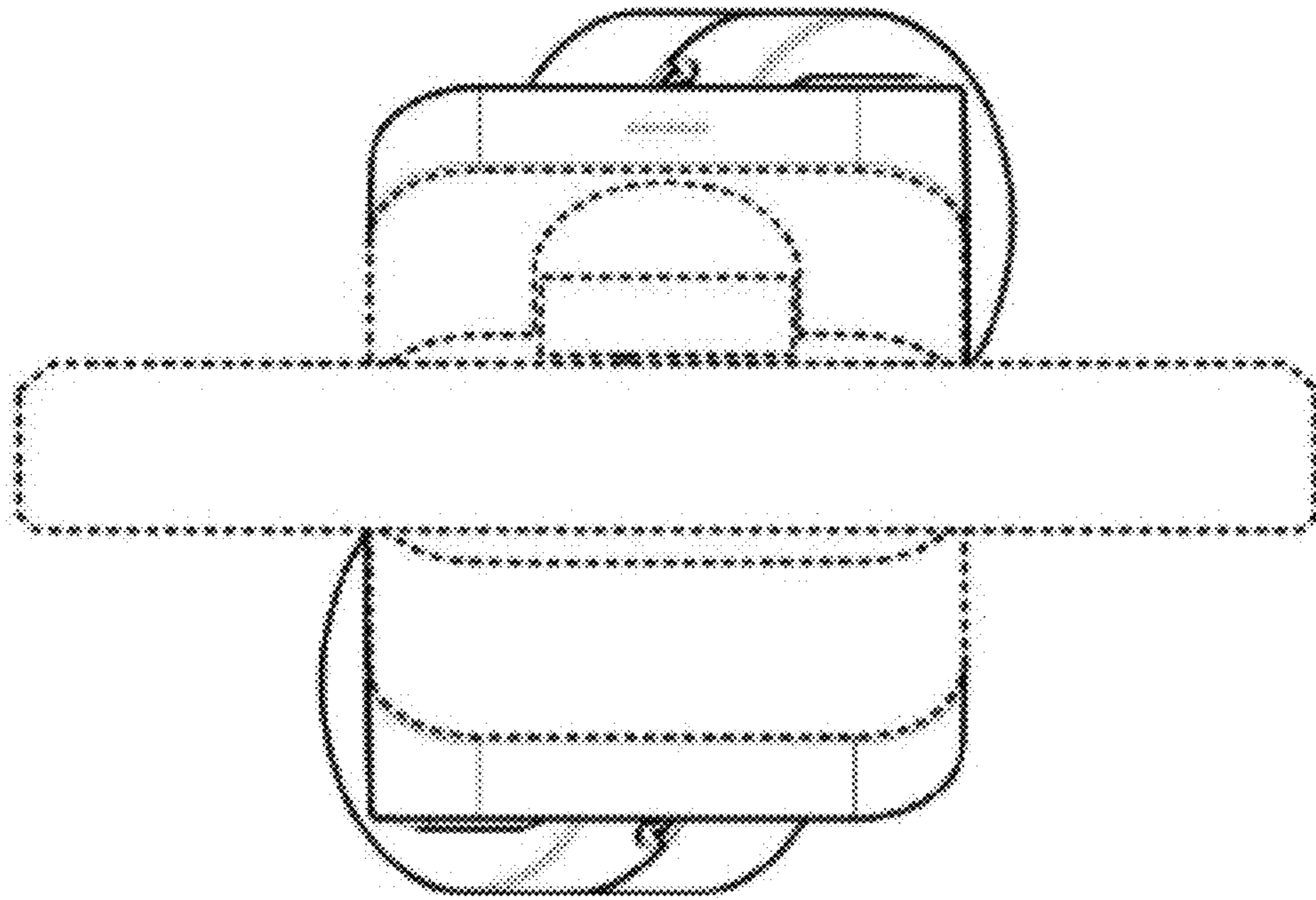


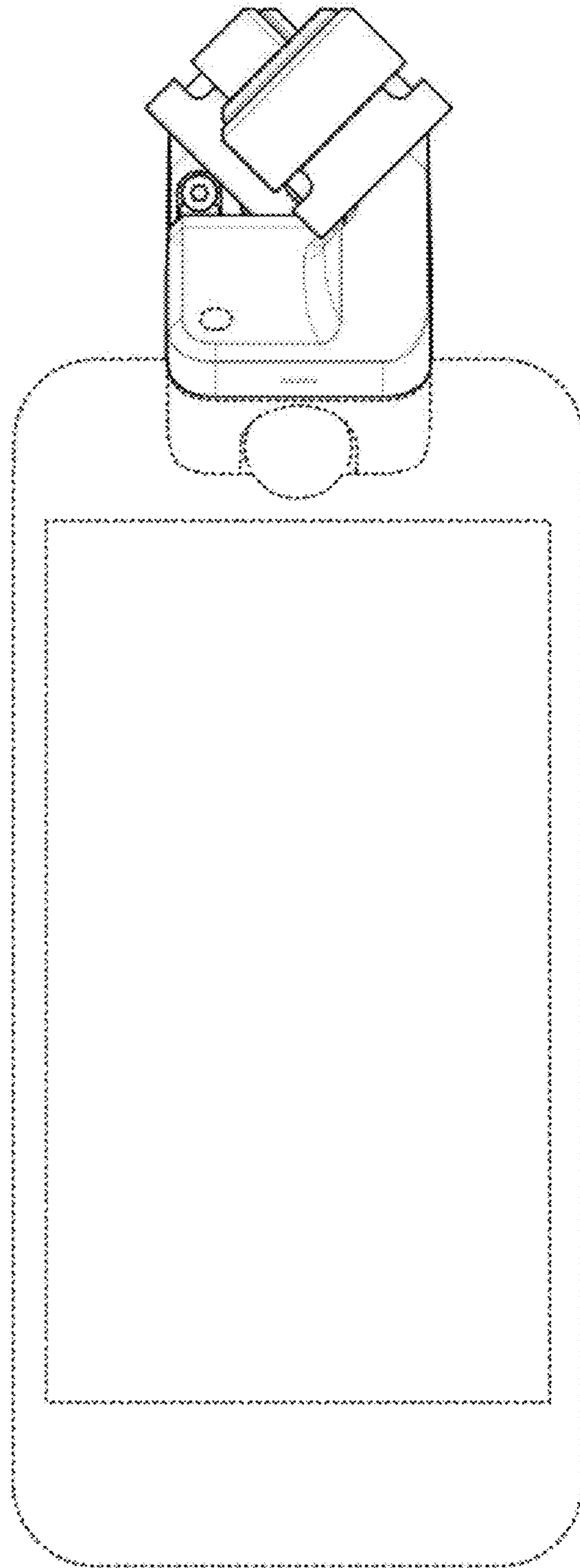
FIG. 3



**FIG. 4**

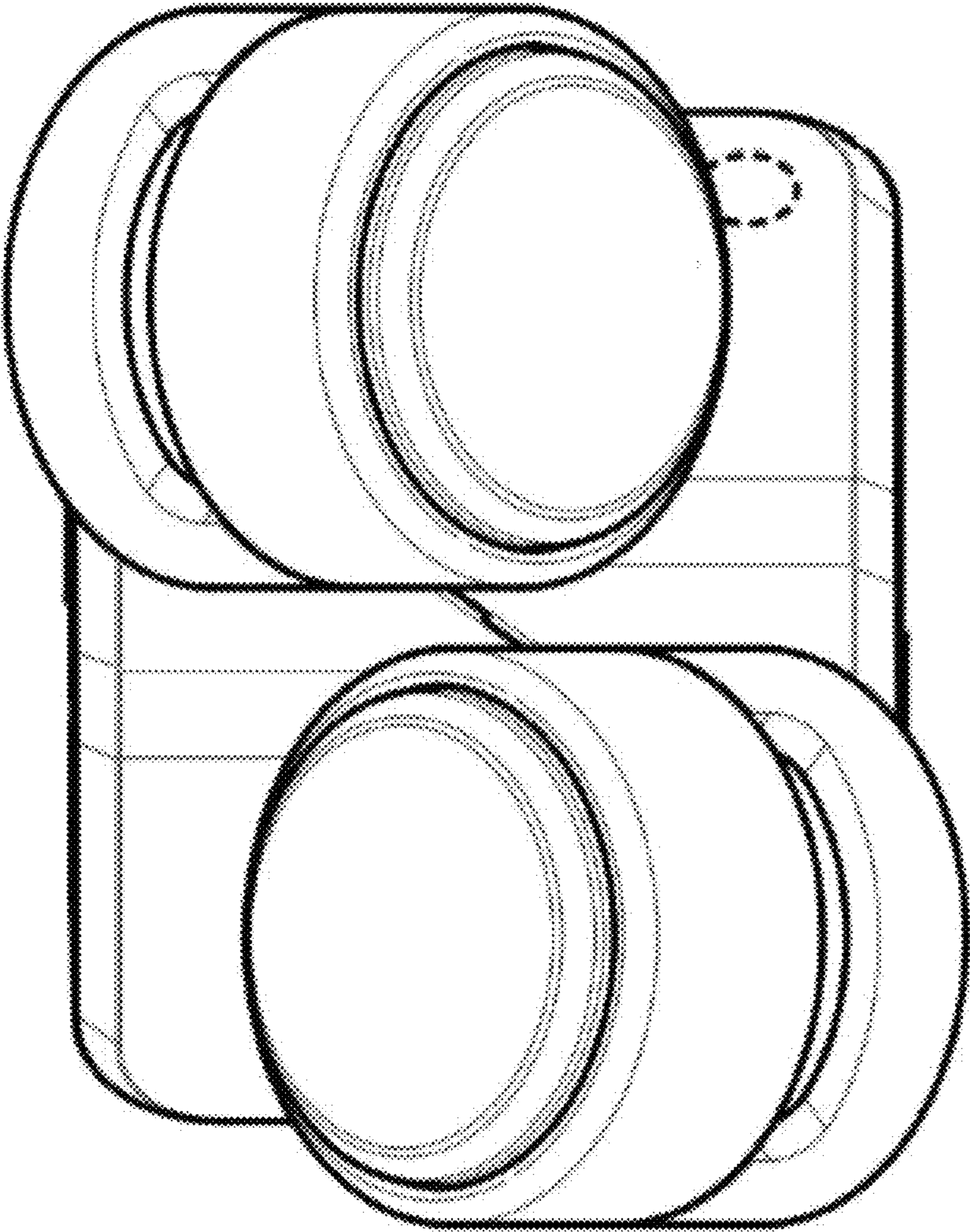


**FIG. 5**

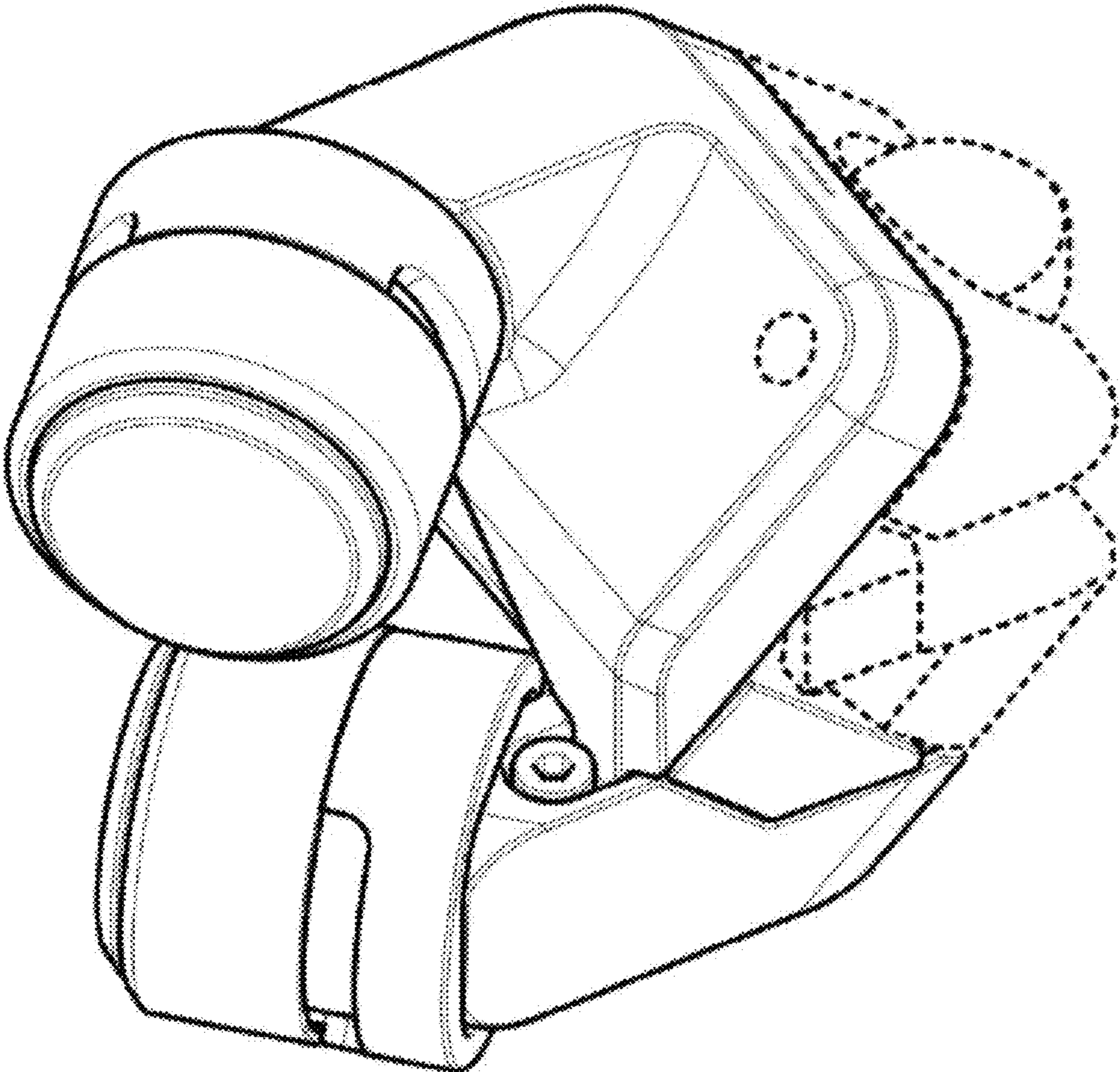


**FIG. 6**

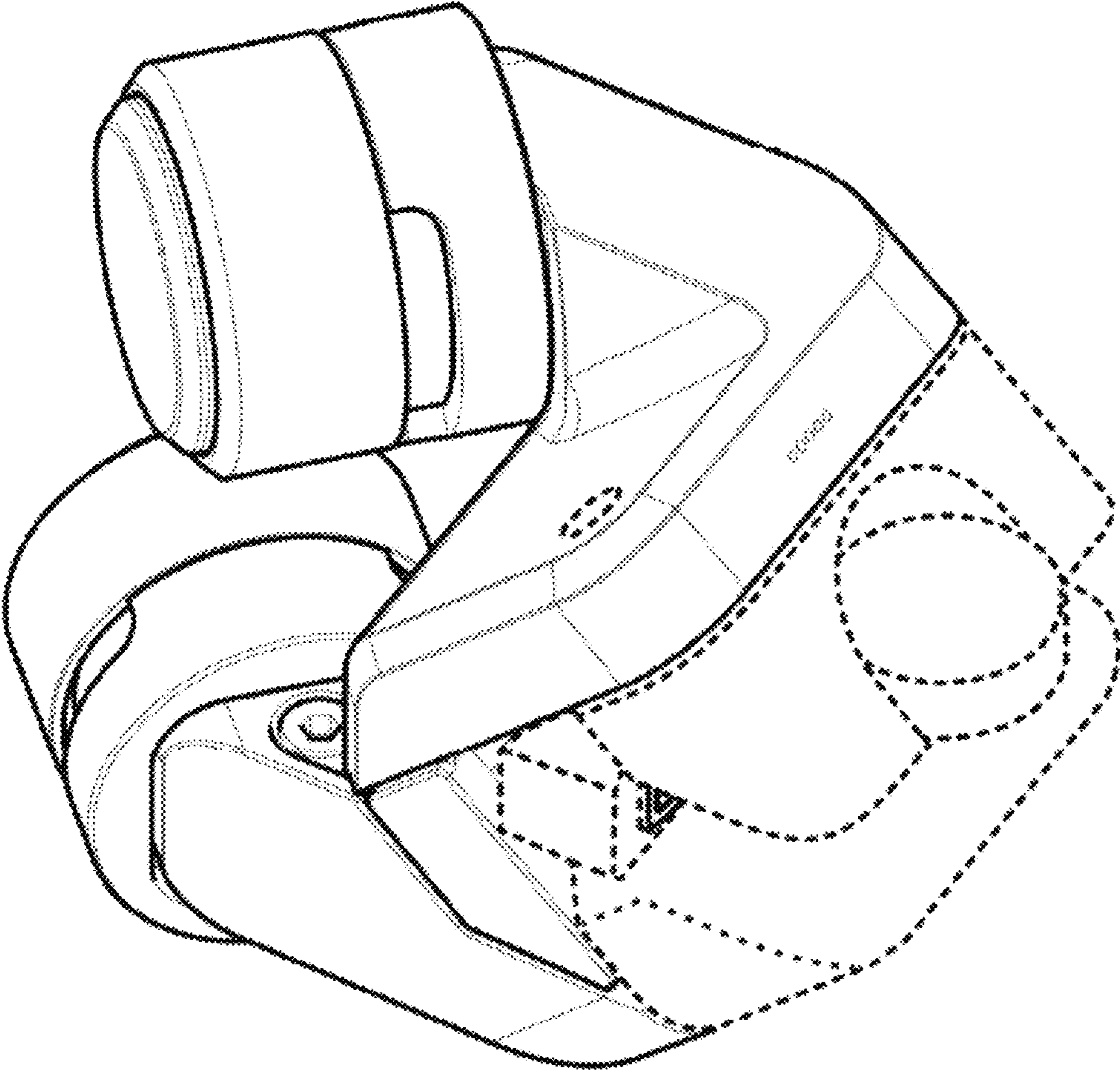




**FIG. 7**



**FIG. 8**



**FIG. 9**



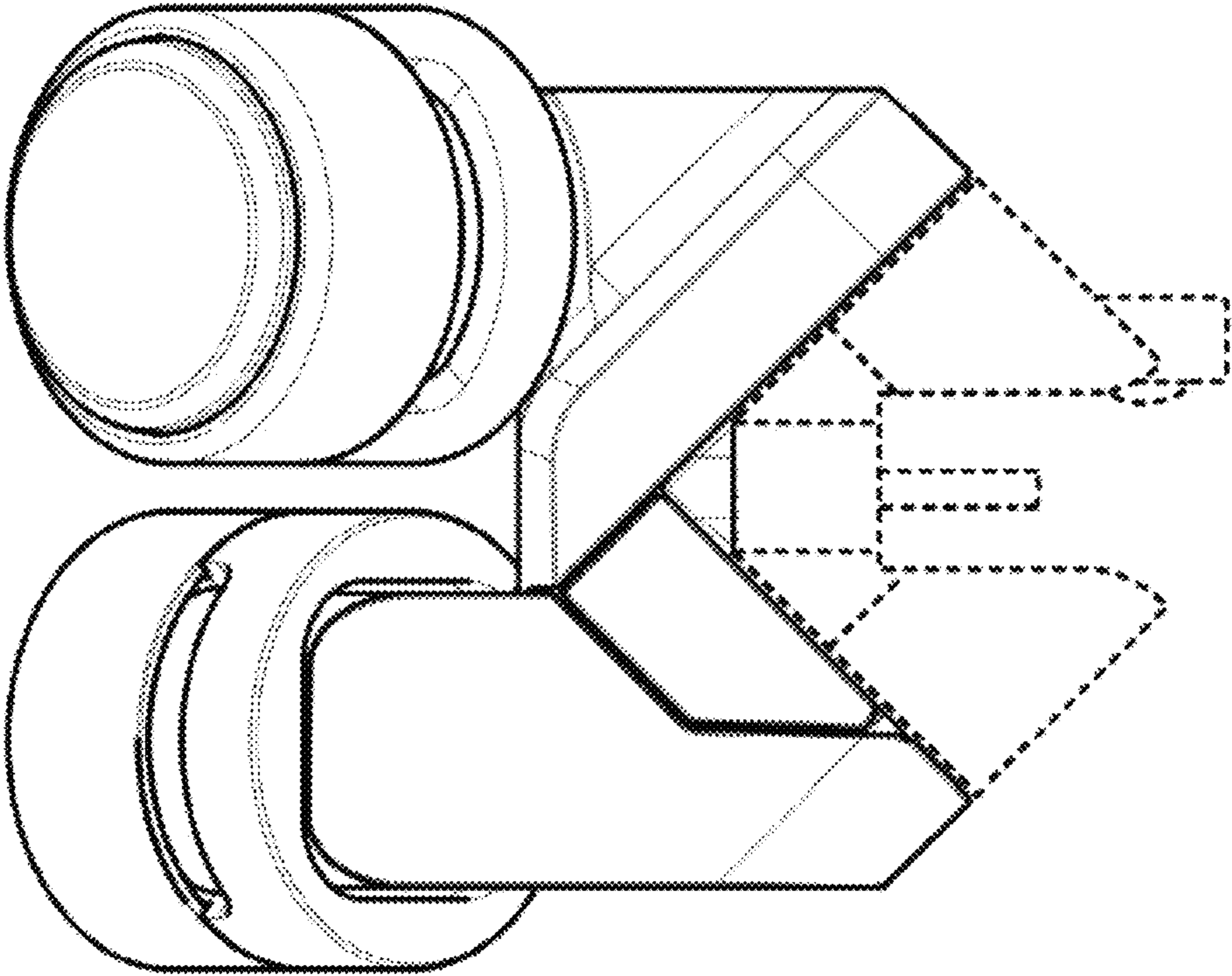
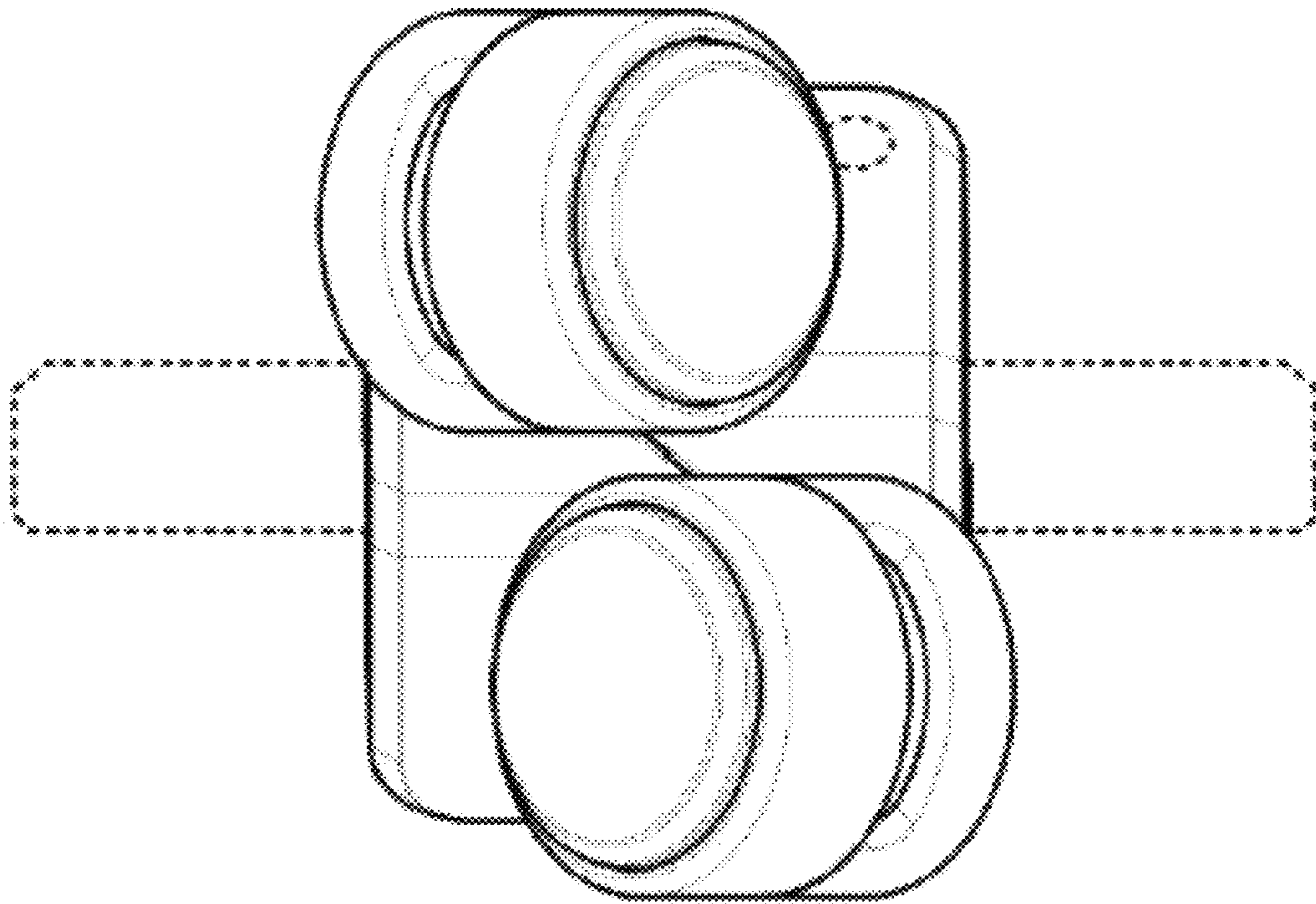
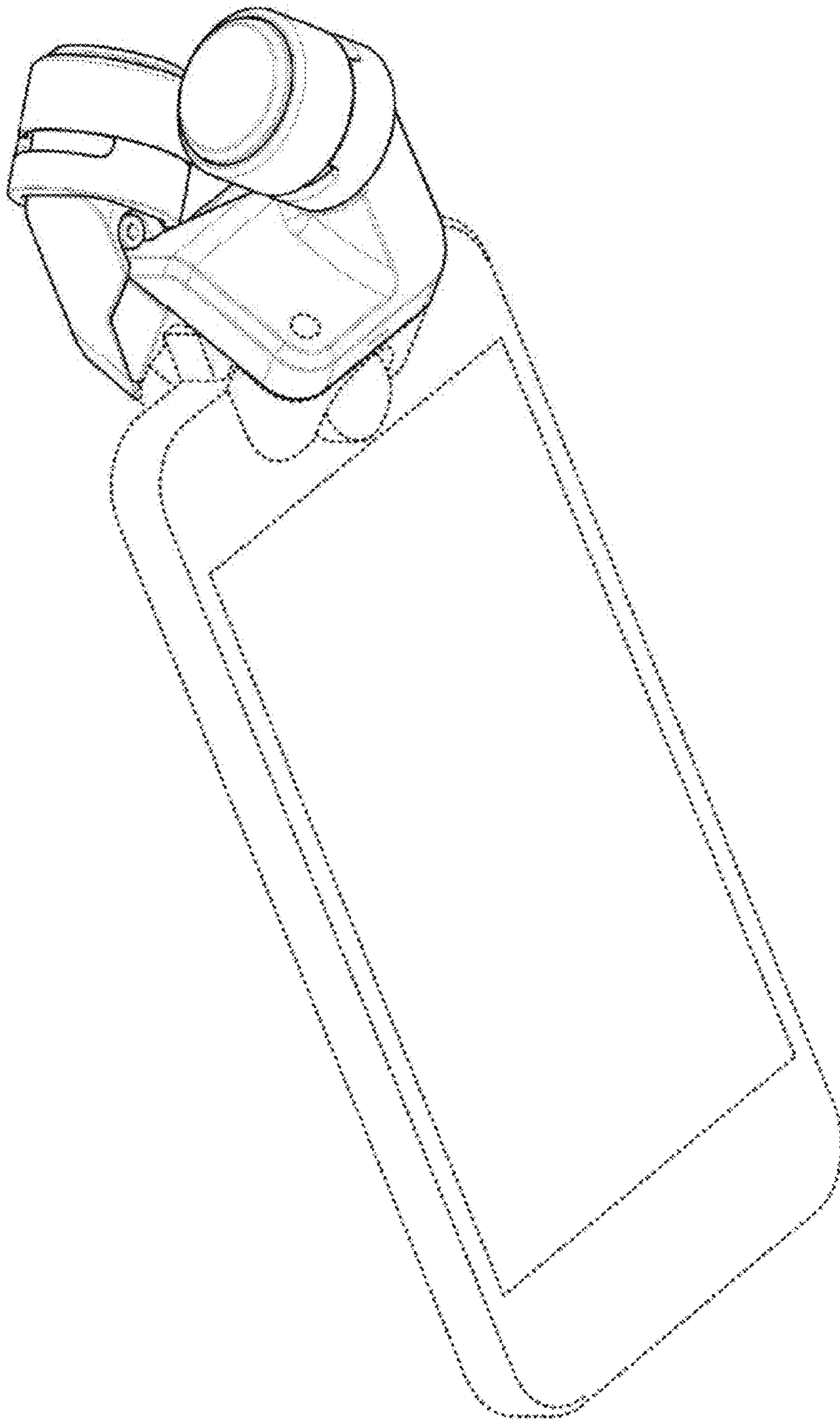


FIG. 10

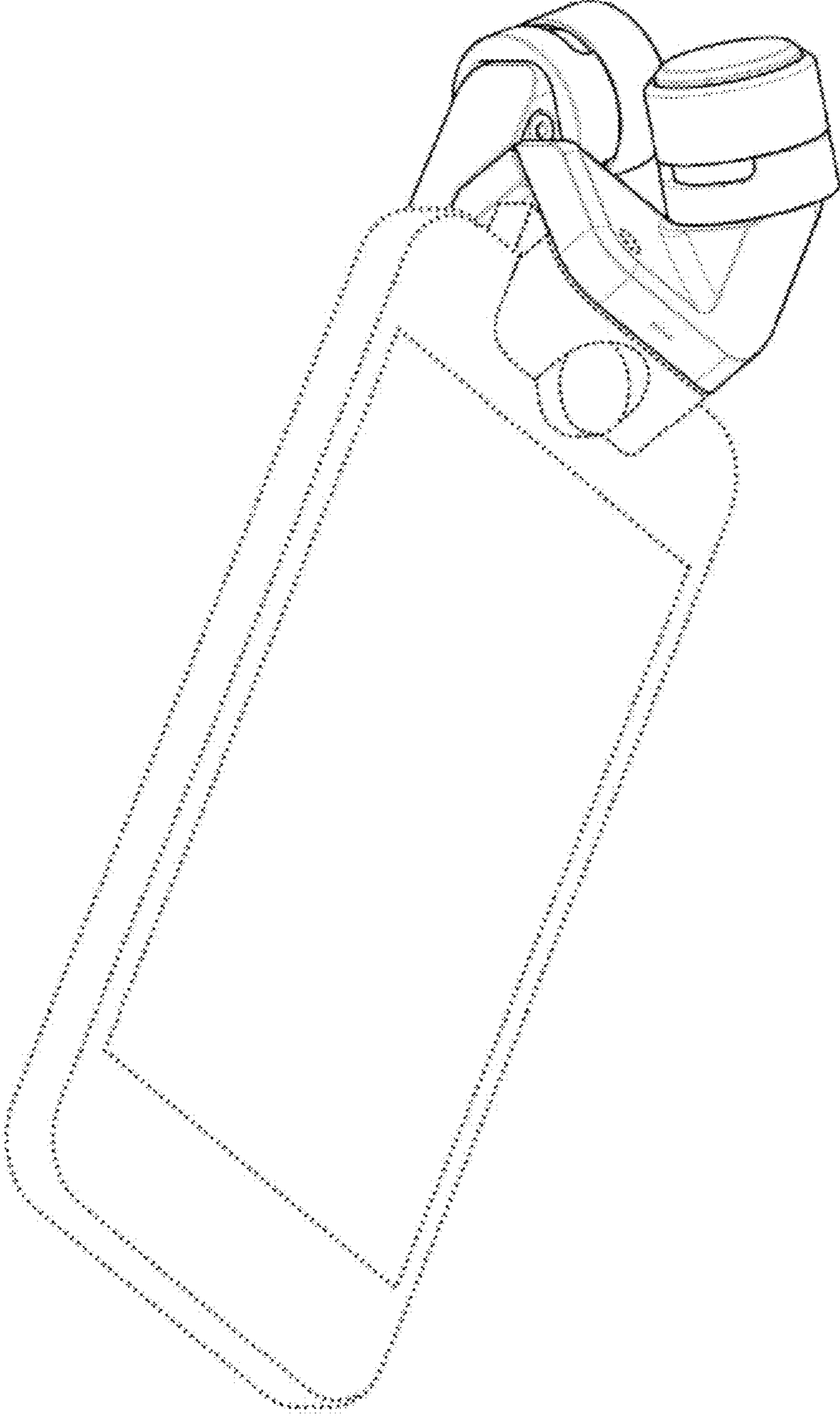


**FIG. 11**

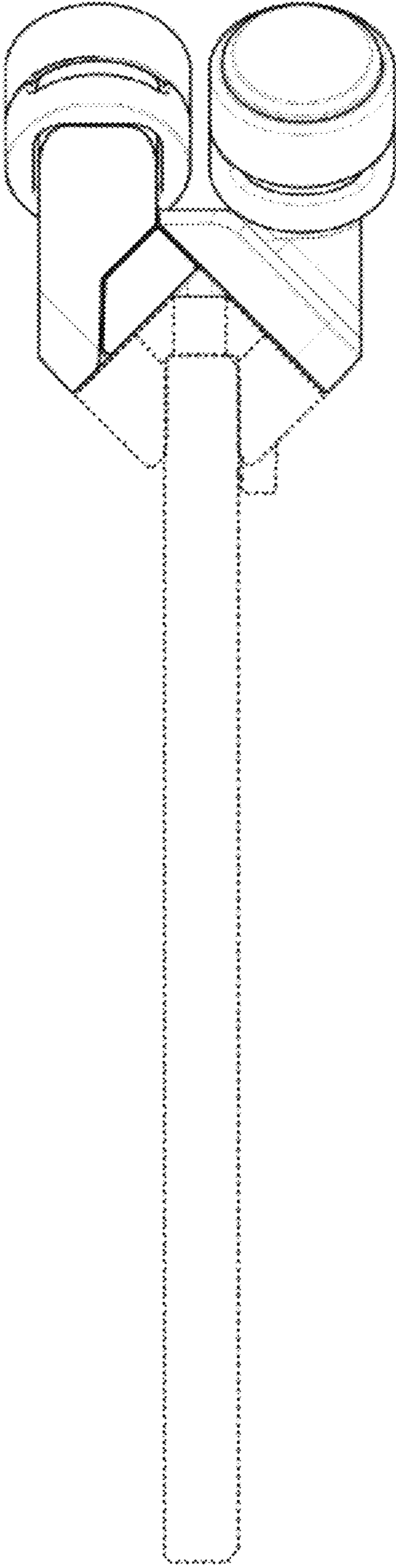




**FIG. 12**



**FIG. 13**



**FIG. 14**