

US00D720727S

(12) **United States Design Patent**
Yu

(10) **Patent No.:** **US D720,727 S**
(45) **Date of Patent:** **** Jan. 6, 2015**

(54) **SIREN SWITCH**

(56) **References Cited**

(71) Applicant: **Ningbo Yinzhou Self Photoelectron Technology Co., Ltd.**, Ningbo, Zhejiang (CN)

U.S. PATENT DOCUMENTS

(72) Inventor: **Feng Yu**, Zhejiang (CN)

3,020,346	A *	2/1962	Bonanno	446/454
D206,329	S *	11/1966	Gulbrandsen	D14/225
D244,780	S *	6/1977	Kobayashi	D14/225
D253,767	S *	12/1979	Peterson	D14/225
D293,239	S *	12/1987	Larson et al.	D14/155
4,845,650	A *	7/1989	Meade et al.	101/66
D303,116	S *	8/1989	Richards et al.	D14/226
D326,095	S *	5/1992	Terk et al.	D14/204
D326,854	S *	6/1992	Terk et al.	D14/204
D331,745	S *	12/1992	Miyake et al.	D14/347
D336,300	S *	6/1993	Tokiyama et al.	D14/225
D340,927	S *	11/1993	Goatman	D14/137
5,265,264	A *	11/1993	Dzung et al.	455/90.2
D347,426	S *	5/1994	Culbertson et al.	D14/137

(73) Assignee: **Ningbo Yinzhou Self Photoelectron Technology Co., Ltd.**, Ningbo (CN)

(**) Term: **14 Years**

(21) Appl. No.: **29/458,929**

(22) Filed: **Jun. 24, 2013**

(Continued)

(30) **Foreign Application Priority Data**

Primary Examiner — Susan Bennett Hattan

Feb. 1, 2013 (CN) 2013 3 0032886

Assistant Examiner — Marie Fast Horse

(51) **LOC (10) Cl.** **14-01**

(57) **CLAIM**

(52) **U.S. Cl.**
USPC **D14/225**

The ornamental design for a siren switch, as shown and described.

(58) **Field of Classification Search**
CPC H04R 1/08; H04R 11/04; H04R 25/04;
H04R 25/65

DESCRIPTION

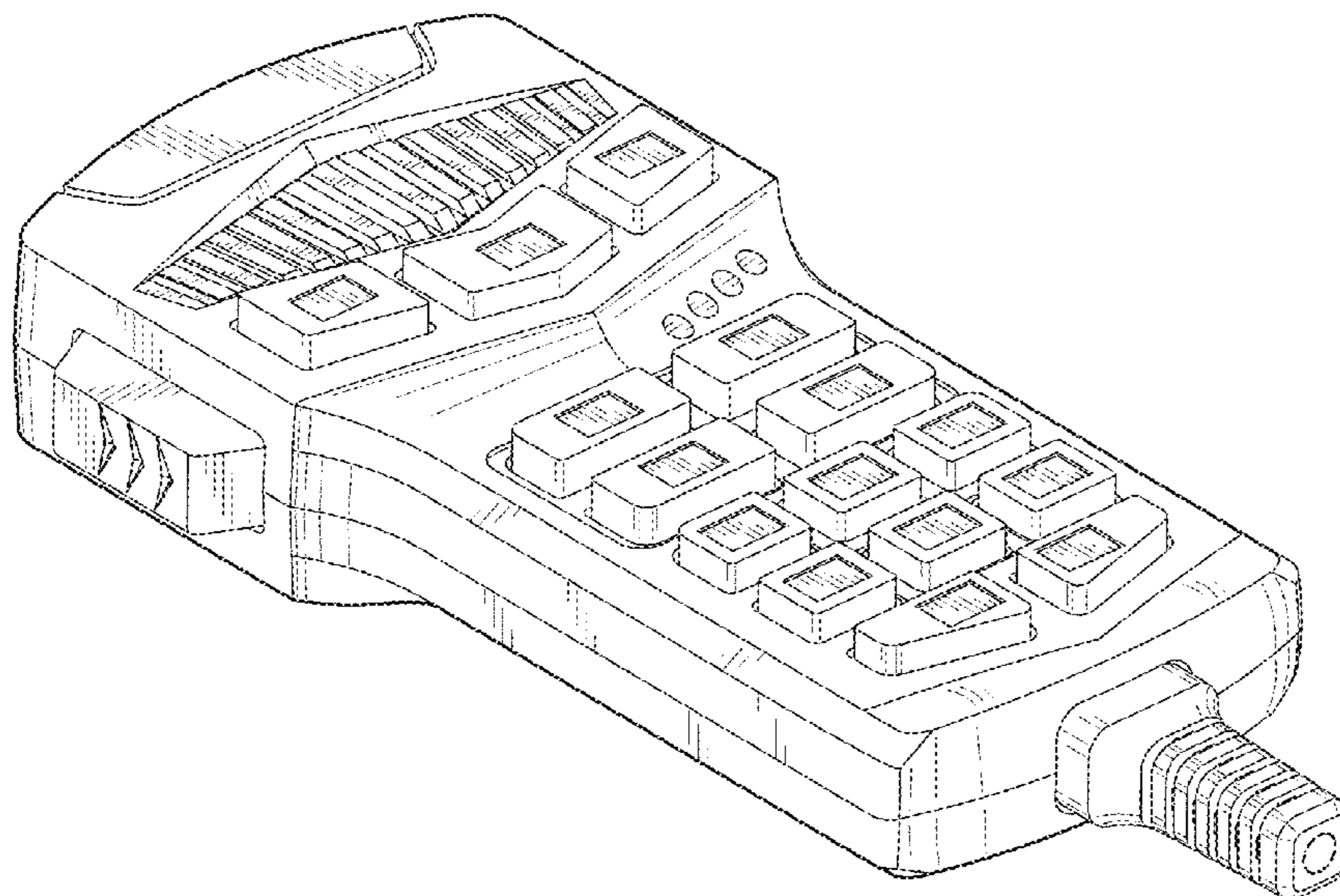
USPC D14/225, 110, 155, 158, 159, 137, 185,
D14/186, 188, 191, 204, 210, 212, 214-219,
D14/221, 226, 228, 229, 240, 416;
D21/329, 483; D13/168; 379/368, 430,
379/431, 433, 433.02, 388, 419, 420, 428,
379/440, 441, 442, 426, 454, 455; 381/91,
381/122, 355, 357, 358, 163, 191, 153, 157,
381/161, 361; 455/77, 78, 90, 90.1, 90.3,
455/550, 151.1, 158.2, 575, 575.1, 575.2,
455/575.8; 446/410, 454; 181/158, 242;
D10/106.1

FIG. 1 is a perspective view of a siren switch of my new design;
FIG. 2 is a front view of the siren switch thereof;
FIG. 3 is a rear view of the siren switch thereof;
FIG. 4 is a left view of the siren switch thereof;
FIG. 5 is a right side view of the siren switch thereof;
FIG. 6 is a top side view of the siren switch thereof; and,
FIG. 7 is a bottom view of the siren switch thereof.

The dash lines represent the elements that do not form part of the claimed design.

See application file for complete search history.

1 Claim, 6 Drawing Sheets



(56)

References Cited

U.S. PATENT DOCUMENTS

D350,347 S *	9/1994	Tracy et al.	D14/137	D425,886 S *	5/2000	Larson et al.	D14/137
D355,904 S *	2/1995	Swartz et al.	D14/429	D430,125 S *	8/2000	Larson et al.	D14/137
D356,079 S *	3/1995	Oba	D14/126	D465,781 S *	11/2002	Fischer	D14/240
D369,786 S *	5/1996	Hagerty	D14/429	D483,351 S *	12/2003	Jennings et al.	D14/225
D382,268 S *	8/1997	Terk et al.	D14/204	D489,698 S *	5/2004	Kim et al.	D14/138 AA
D382,269 S *	8/1997	Terk et al.	D14/204	D497,600 S *	10/2004	Richards et al.	D14/137
D390,554 S *	2/1998	Larson et al.	D14/137	D502,698 S *	3/2005	Mah	D14/226
D392,636 S *	3/1998	Faulknor et al.	D14/144	D564,999 S *	3/2008	Richards et al.	D14/137
D399,504 S *	10/1998	Lindeman et al.	D14/137	D605,616 S *	12/2009	Scott et al.	D14/137
6,041,243 A *	3/2000	Davidson et al.	455/575.1	D632,679 S *	2/2011	Emge et al.	D14/225
				D635,945 S *	4/2011	Richards et al.	D14/137
				D657,778 S *	4/2012	Chiu	D14/218
				2008/0242375 A1 *	10/2008	Garcia et al.	455/575.1

* cited by examiner

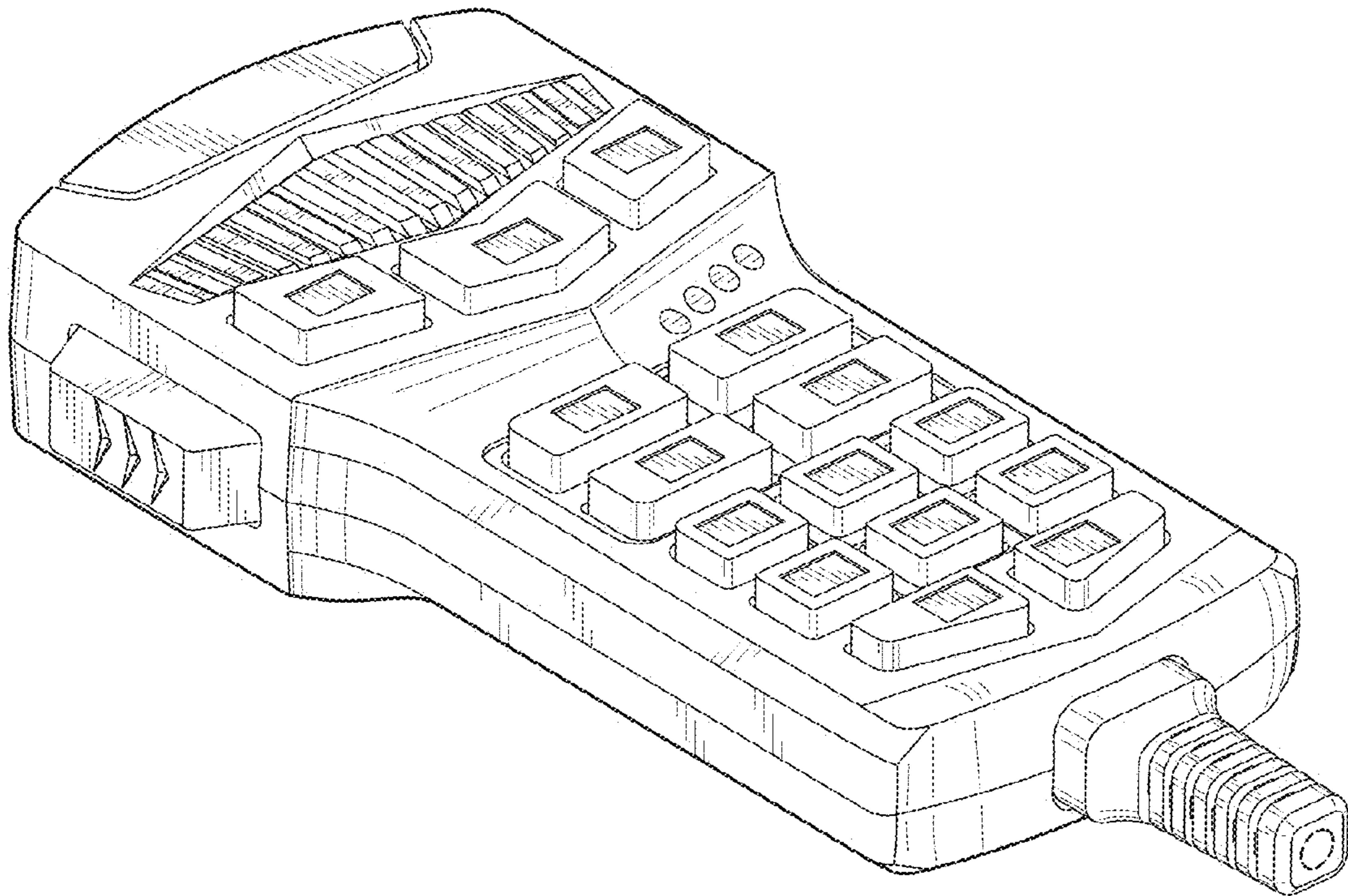


FIG. 1

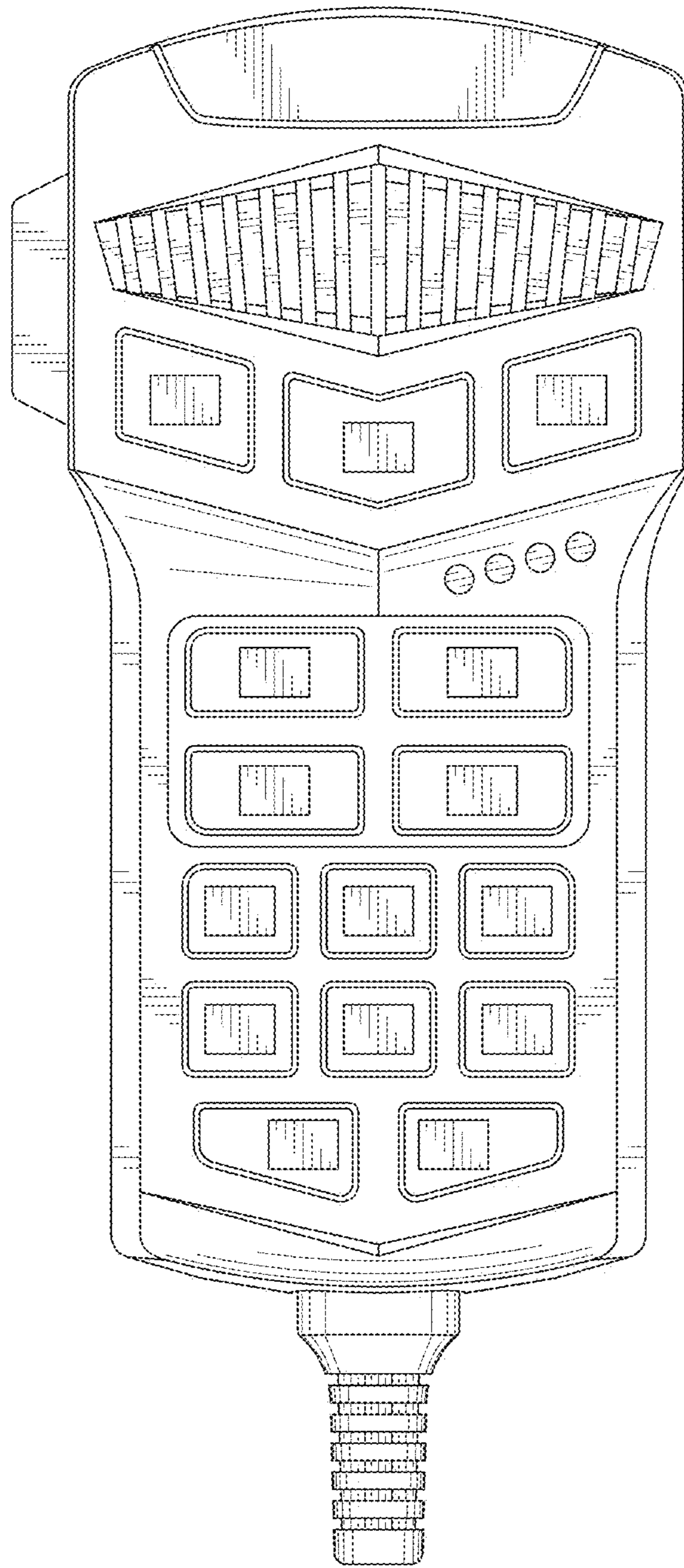


FIG. 2

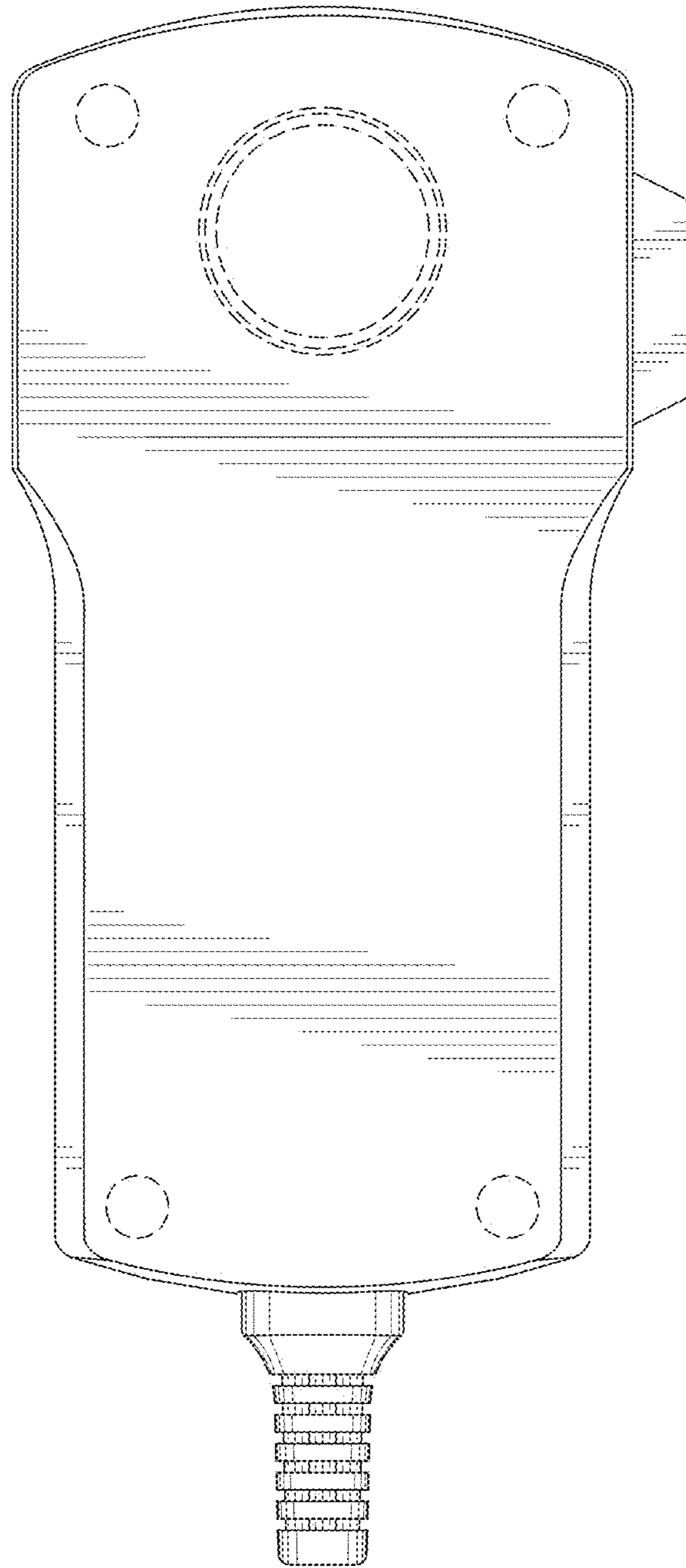


FIG. 3

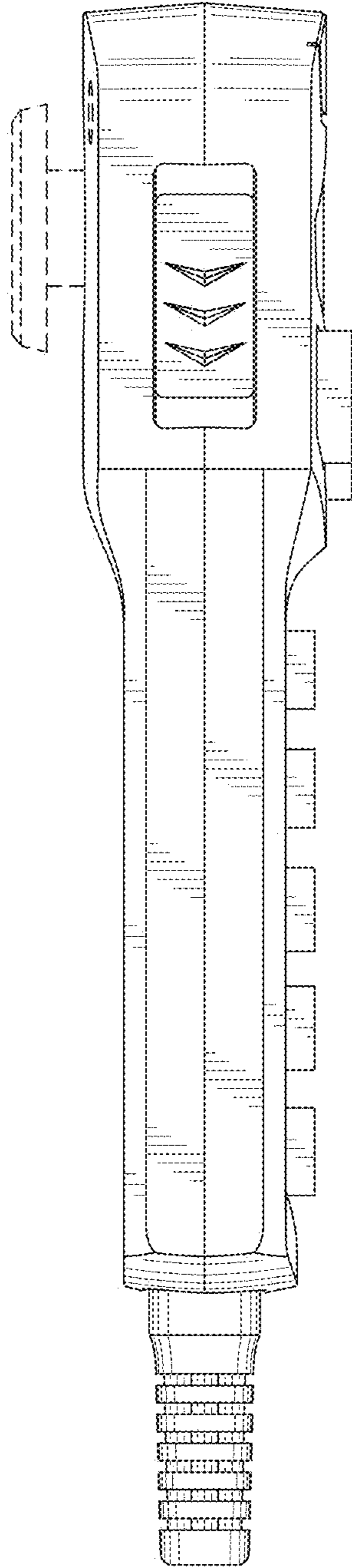


FIG. 4

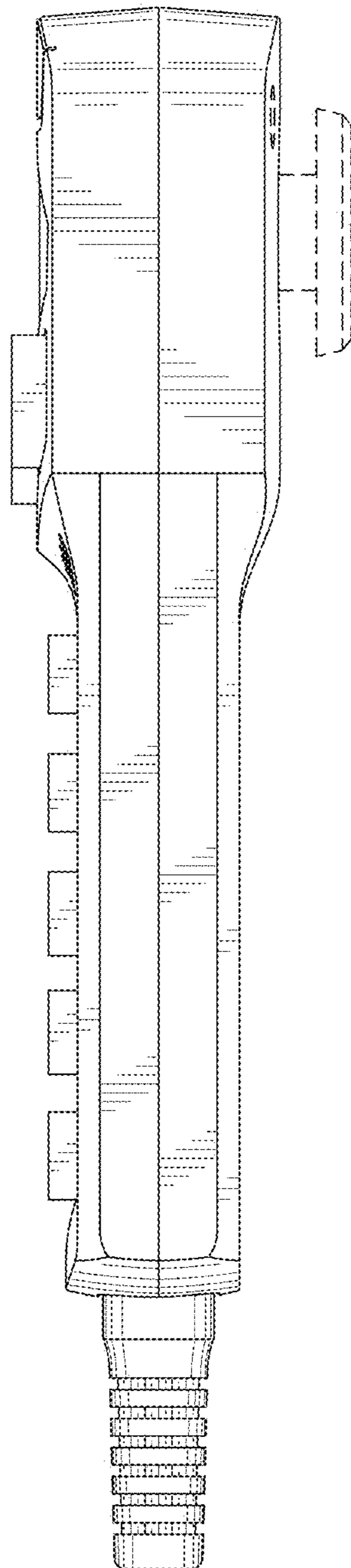


FIG. 5

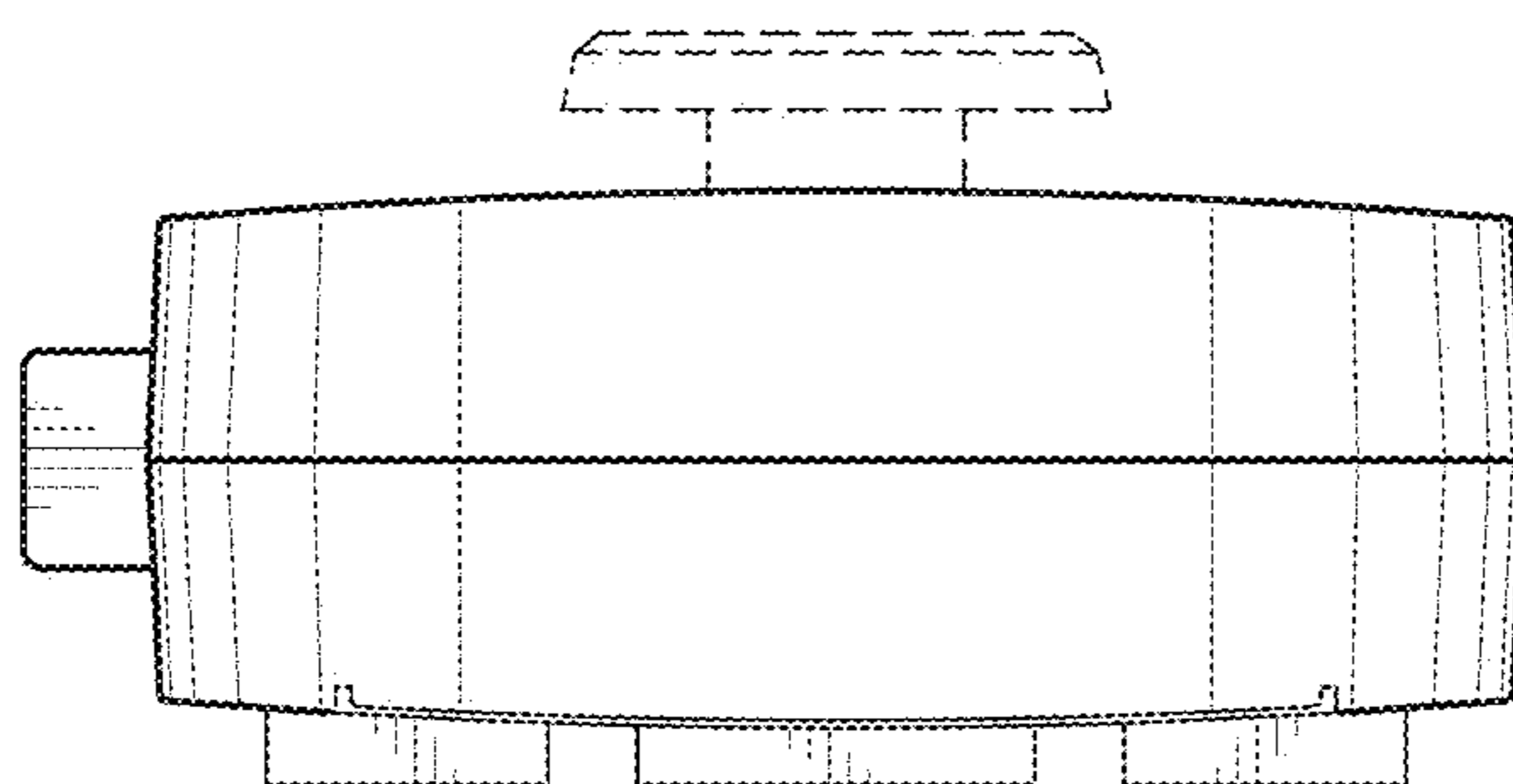


FIG. 6

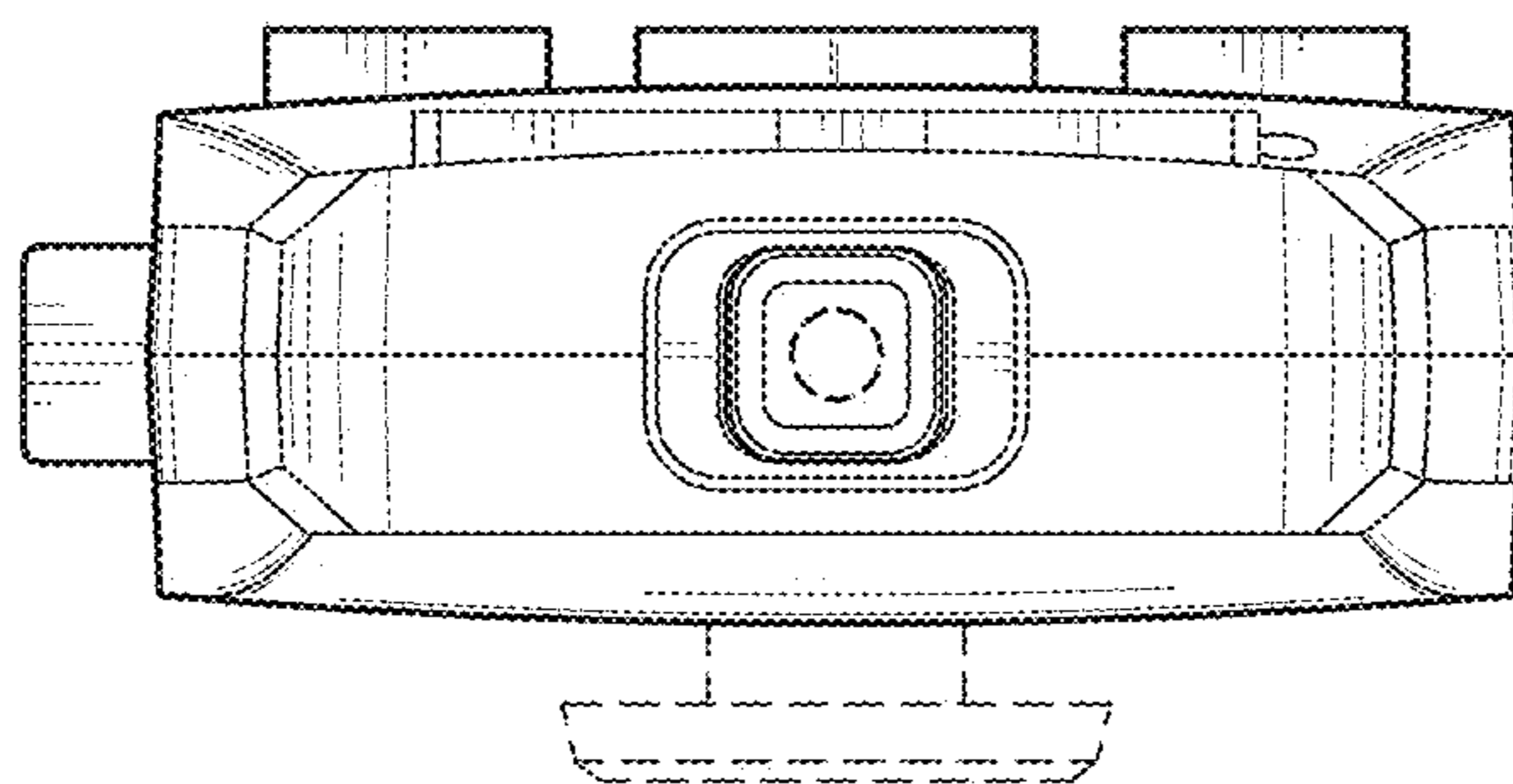


FIG. 7