

US00D720726S

(12) **United States Design Patent**
Yu

(10) **Patent No.:** **US D720,726 S**
(45) **Date of Patent:** **** Jan. 6, 2015**

(54) **SIREN SWITCH**

(56) **References Cited**

(71) Applicant: **Ningbo Yinzhou Self Photoelectron Technology Co., Ltd.**, Ningbo, Zhejiang (CN)

U.S. PATENT DOCUMENTS

2,336,828 A * 12/1943 Zarth 381/319
D203,187 S * 12/1965 Deschamps D14/225
D234,957 S * 4/1975 Huntington et al. D14/225

(72) Inventor: **Feng Yu**, Zhejiang (CN)

(Continued)

(73) Assignee: **Ningbo Yinzhou Self Photoelectron Technology Co., Ltd.**, Ningbo (CN)

OTHER PUBLICATIONS

CN 302497166—Alarm Microphone (Designs-© Questel). Orbit.com [online] 4 pages. Posted Jul. 10, 2013 [retrieved on Jul. 17, 2014]. Retrieved from Internet: <<http://sobjprd.questel.fr/export/QPTUJ214/pdf2/5ef931b0-8ebe-476f-be2a-4d887993f444-140928.pdf>>.*

(**) Term: **14 Years**

Primary Examiner — Susan Bennett Hattan

(21) Appl. No.: **29/458,927**

Assistant Examiner — Marie Fast Horse

(22) Filed: **Jun. 24, 2013**

(30) **Foreign Application Priority Data**

(57) **CLAIM**

Feb. 1, 2013 (CN) 2013 3 0032839

The ornamental design for a siren switch, as shown and described.

(51) **LOC (10) Cl.** **14-01**

DESCRIPTION

(52) **U.S. Cl.**

USPC **D14/225**

(58) **Field of Classification Search**

CPC H04R 1/08; H04R 11/04; H04R 25/04; H04R 25/65

USPC D14/225, 110, 155, 158, 159, 137, 185, D14/186, 188, 191, 204, 210, 212, 214–219, D14/221, 226, 228, 229, 240, 416;

D21/329, 483; D13/168; 379/368, 430,

379/431, 433, 433.02, 388, 419, 420, 428,

379/440, 441, 442, 426, 454, 455; 381/91,

381/122, 355, 357, 358, 163, 191, 153, 157,

381/161, 361; 455/77, 78, 90, 90.1, 90.3,

455/550, 151.1, 158.2, 575, 575.1, 575.2,

455/575.8; 446/410, 454; 181/158, 242;

D10/106.1

FIG. 1 is a perspective view of a siren switch of my new design;

FIG. 2 is a front view of the siren switch thereof;

FIG. 3 is a rear view of the siren switch thereof;

FIG. 4 is a right view of the siren switch thereof;

FIG. 5 is a left side view of the siren switch thereof;

FIG. 6 is a top side view of the siren switch thereof; and,

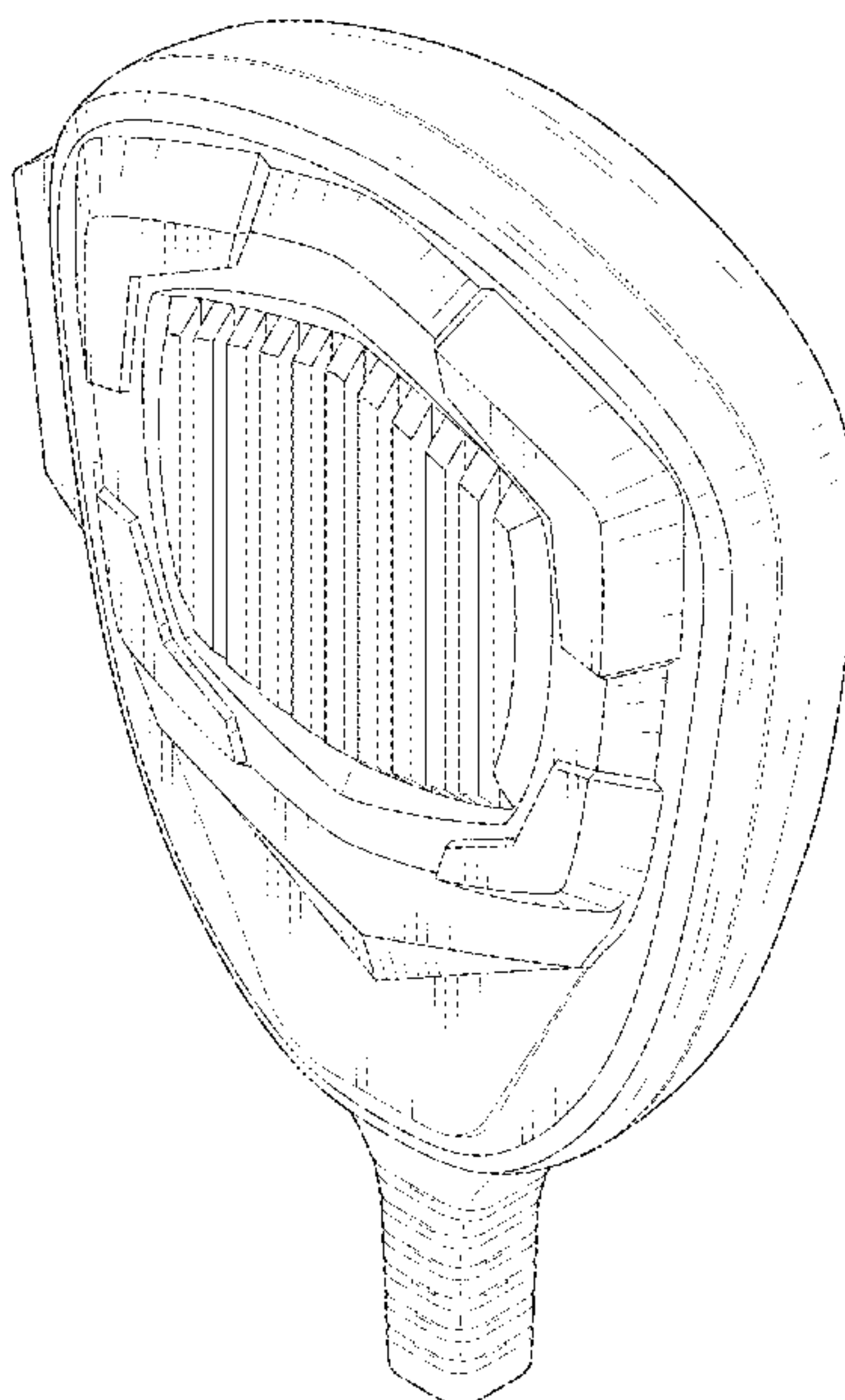
FIG. 7 is a bottom view of the siren switch thereof.

The dash lines consisting of evenly sized dashes represent the elements that do not form part of the claimed design.

The broken lines consisting of unevenly sized dashes in FIG. 3 depict the bounds of the claim which extends to the boundary but does not include the boundary.

See application file for complete search history.

1 Claim, 7 Drawing Sheets



(56)

References Cited

U.S. PATENT DOCUMENTS

4,009,355	A *	2/1977	Poradowski	381/358	D415,767	S *	10/1999	Page et al.	D14/226
D244,780	S *	6/1977	Kobayashi	D14/225	D418,512	S *	1/2000	Lin et al.	D14/227
D247,669	S *	4/1978	Murakami et al.	D14/225	D432,527	S *	10/2000	DeLeon	D14/240
4,100,653	A *	7/1978	Sensabaugh	24/3.11	D440,560	S *	4/2001	Tokiyama et al.	D14/225
4,113,999	A *	9/1978	Swinehart	381/91	D446,822	S *	8/2001	Kenji	D21/329
D250,709	S *	1/1979	Sakaguchi	D14/225	D464,957	S *	10/2002	Guccione	D14/240
4,158,813	A *	6/1979	Ellis et al.	455/116	D465,781	S *	11/2002	Fischer	D14/240
4,178,547	A *	12/1979	Santana	455/77	D483,351	S *	12/2003	Jennings et al.	D14/225
D258,879	S *	4/1981	Eaton et al.	D14/225	D494,960	S *	8/2004	Lum	D14/225
D264,335	S *	5/1982	Huntington	D14/225	D530,313	S *	10/2006	Leng et al.	D14/225
D281,419	S *	11/1985	Nagele	D14/225	D534,526	S *	1/2007	Aoki et al.	D14/225
D318,246	S *	7/1991	Schwartz	D10/106.1	D544,440	S *	6/2007	Dayan	D13/110
D367,435	S *	2/1996	Stewart et al.	D10/120	D576,157	S *	9/2008	Nishizawa	D14/225
D376,599	S *	12/1996	Lindeman et al.	D14/225	D615,533	S *	5/2010	Emge et al.	D14/225
D378,820	S *	4/1997	Tokiyama et al.	D14/225	D619,125	S *	7/2010	Kung	D14/225
5,701,355	A *	12/1997	Brannan et al.	381/361	D624,905	S *	10/2010	Lee	D14/229
5,831,515	A *	11/1998	Stewart et al.	340/384.4	8,068,632	B2 *	11/2011	Inaoka et al.	381/361
5,898,789	A *	4/1999	Nichols et al.	381/361	8,254,618	B2 *	8/2012	Babasaki	381/361
						2009/0220117	A1 *	9/2009	Inaoka et al.	381/361
						2010/0098283	A1 *	4/2010	Babasaki	381/361

* cited by examiner

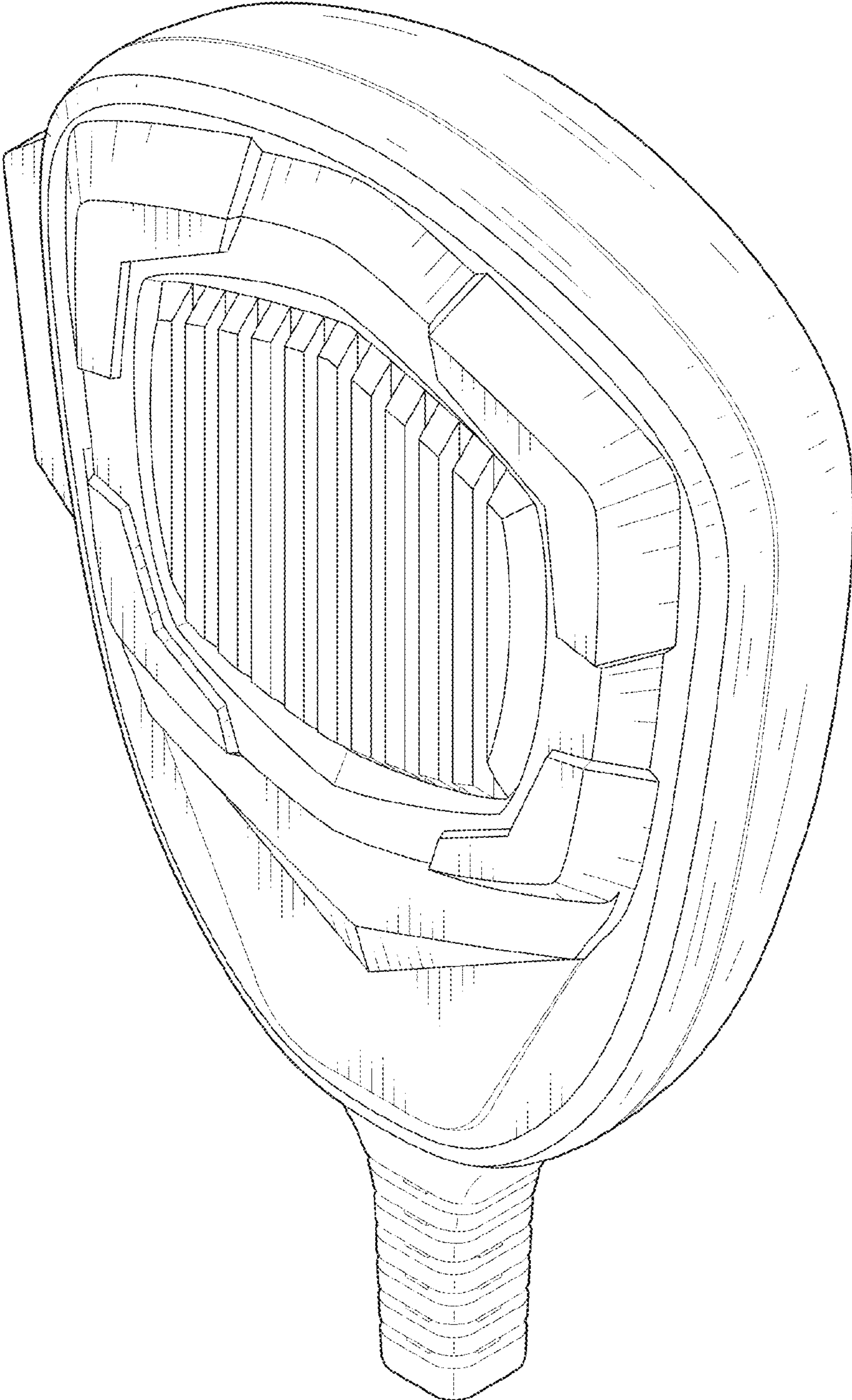


FIG. 1

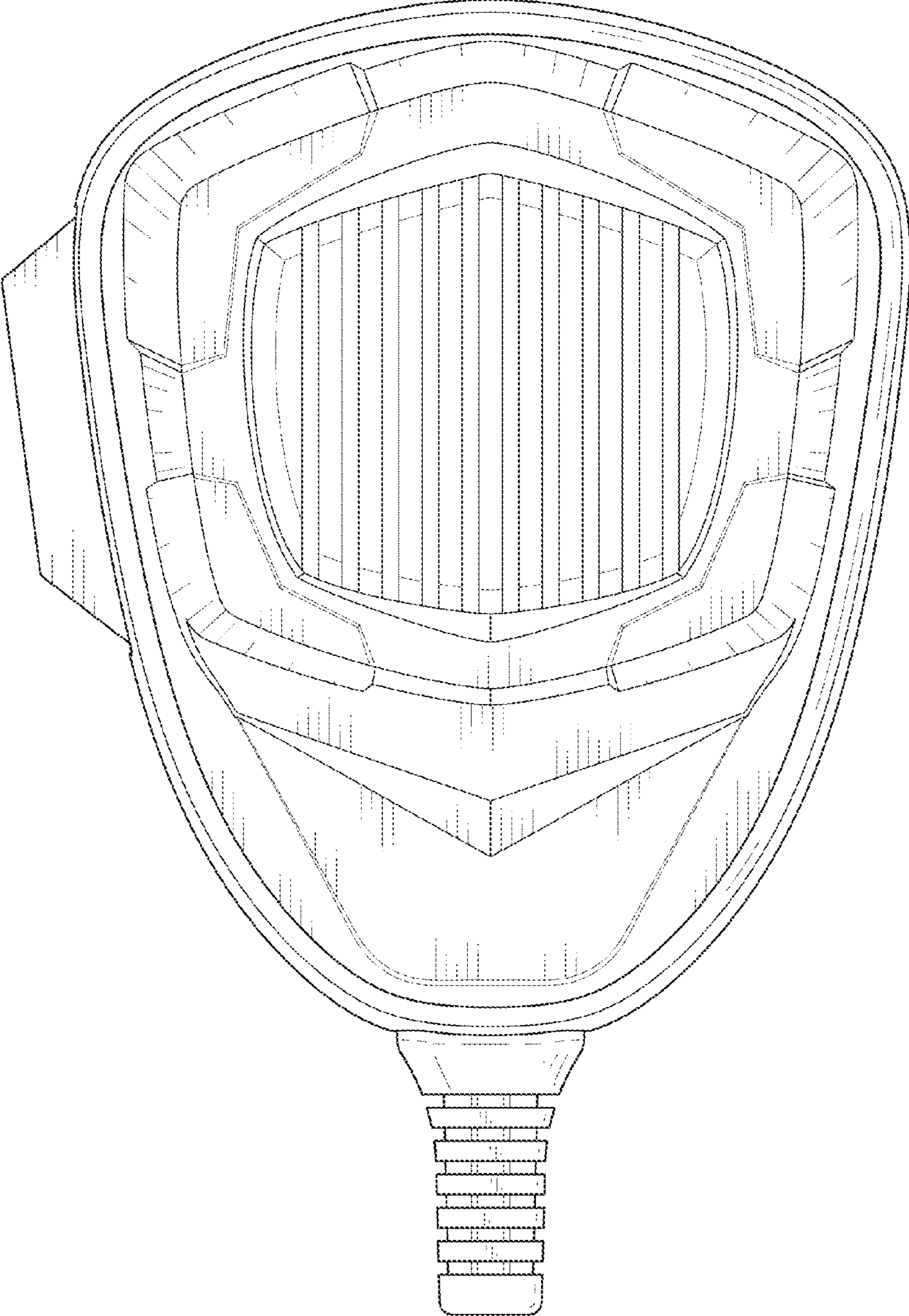


FIG. 2

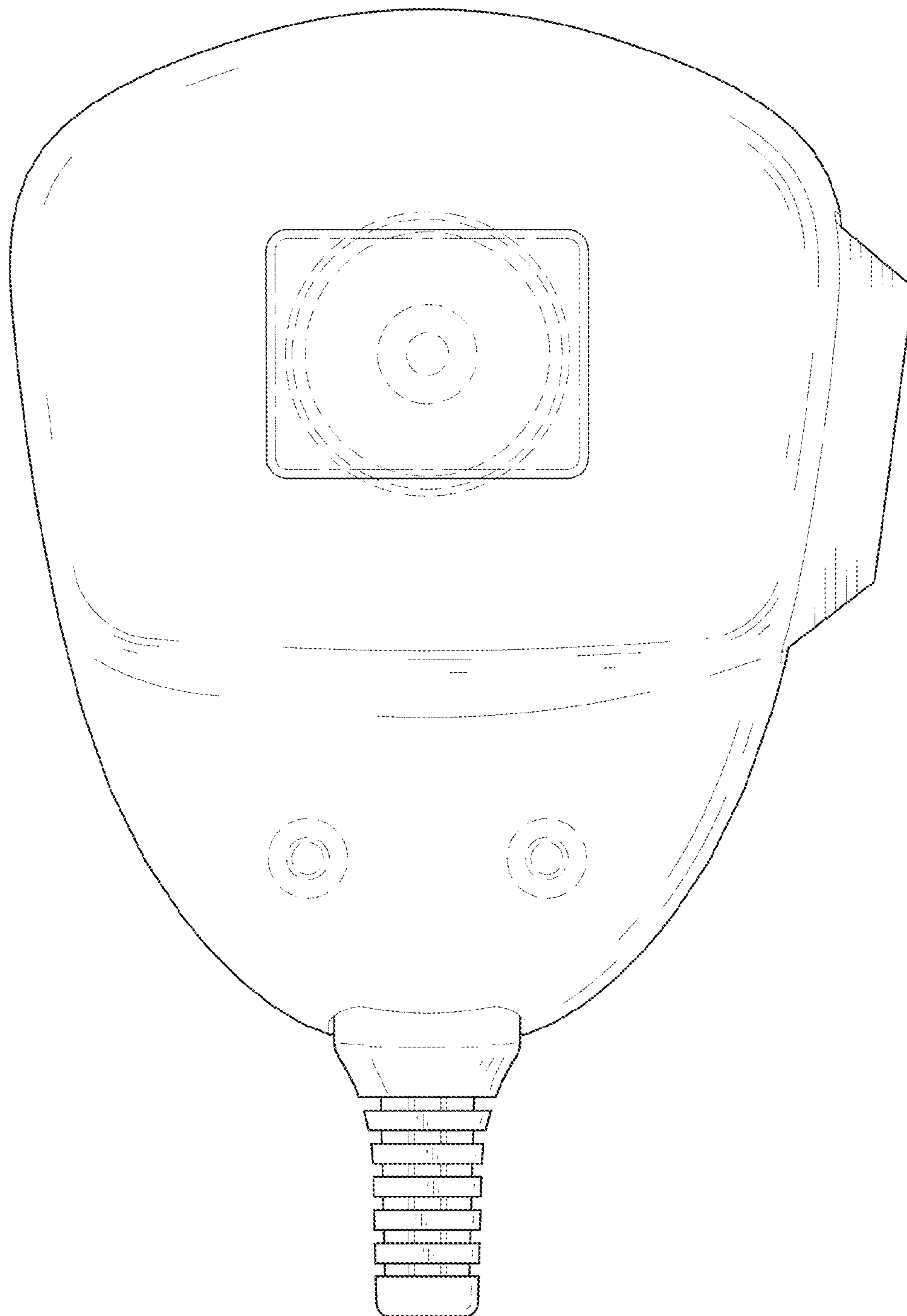


FIG. 3

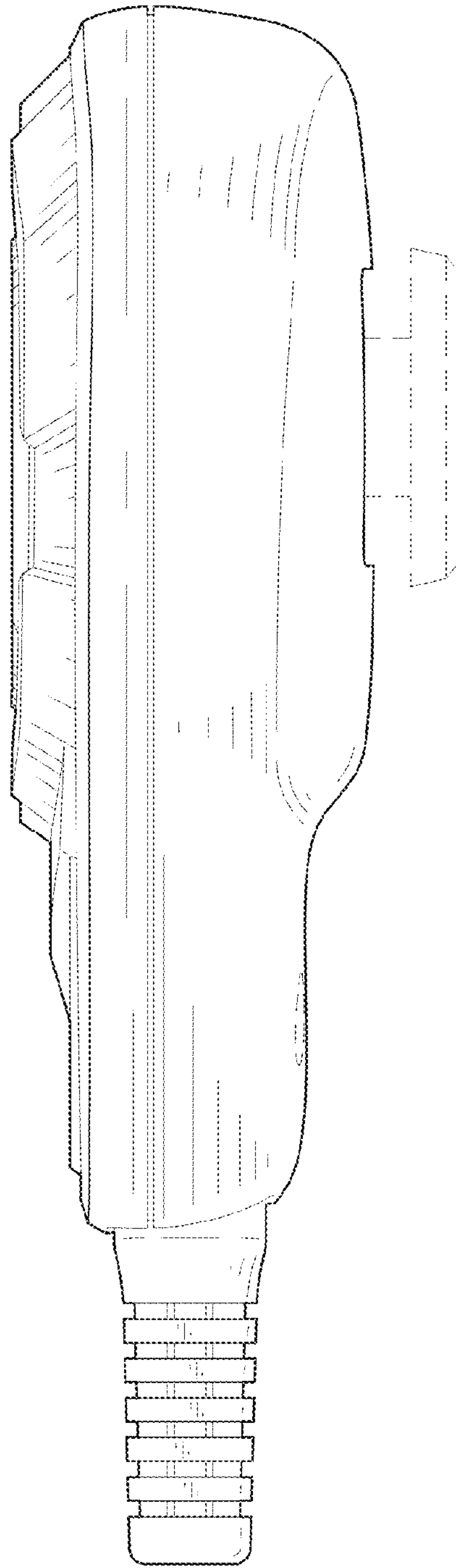


FIG. 4

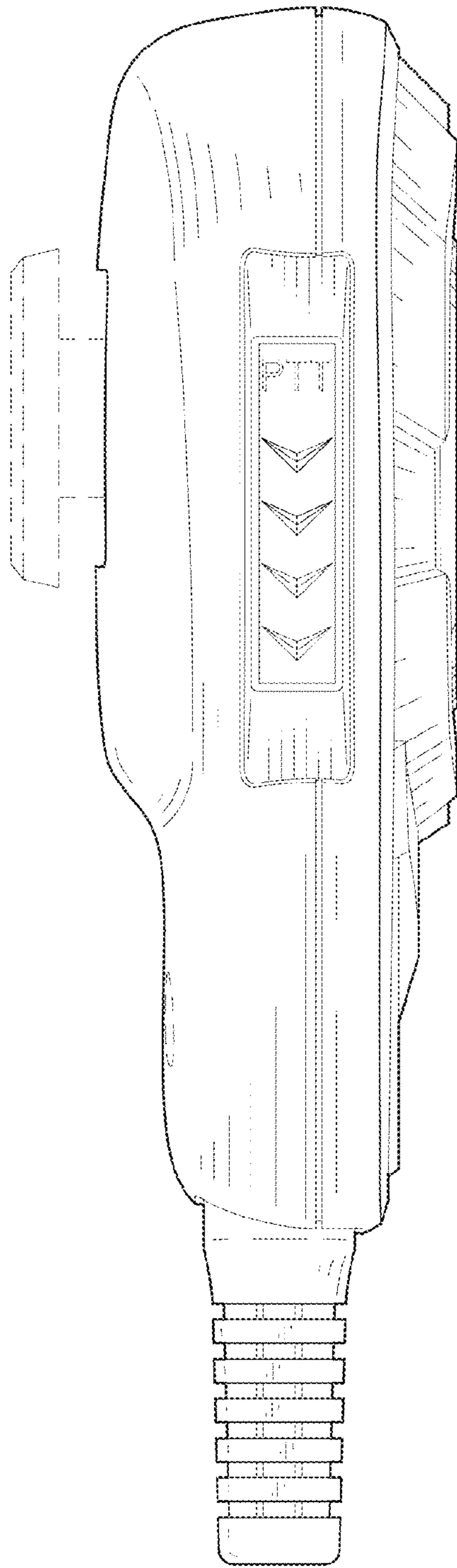


FIG. 5

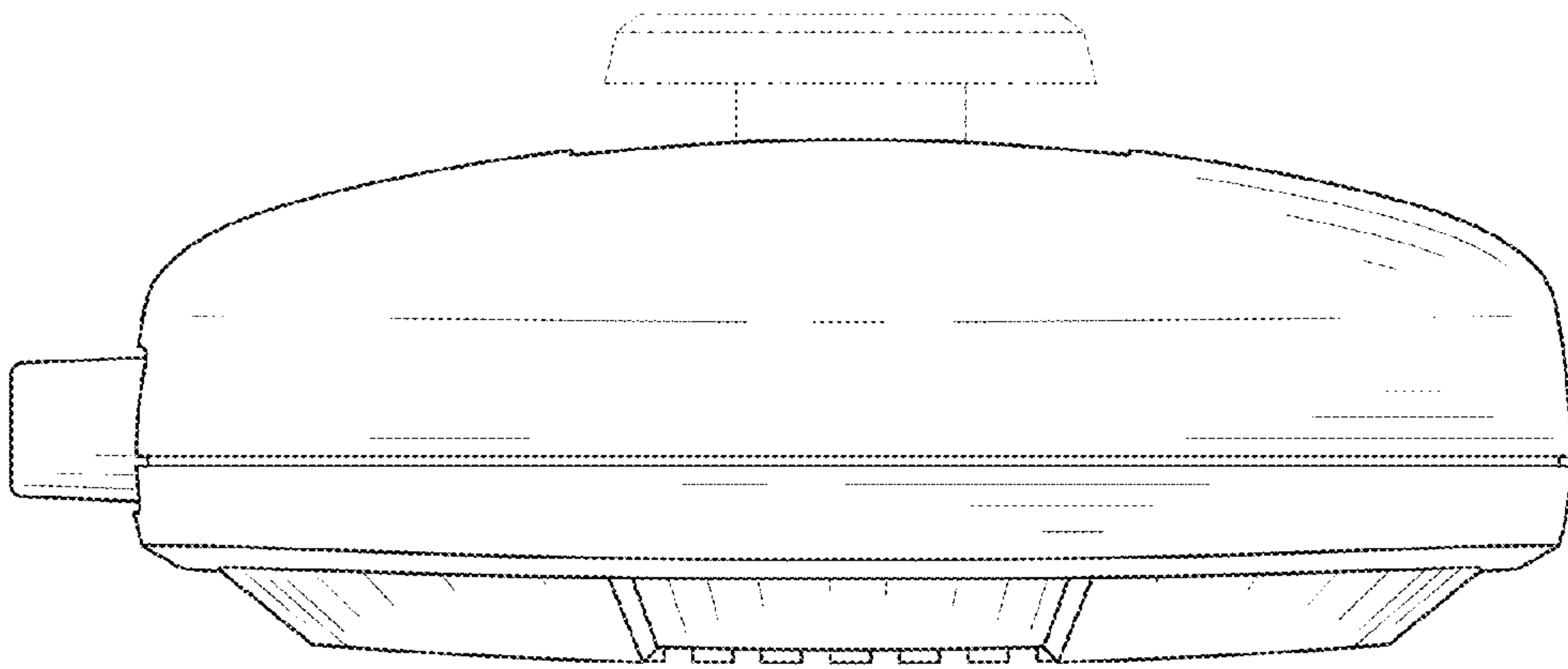


FIG. 6

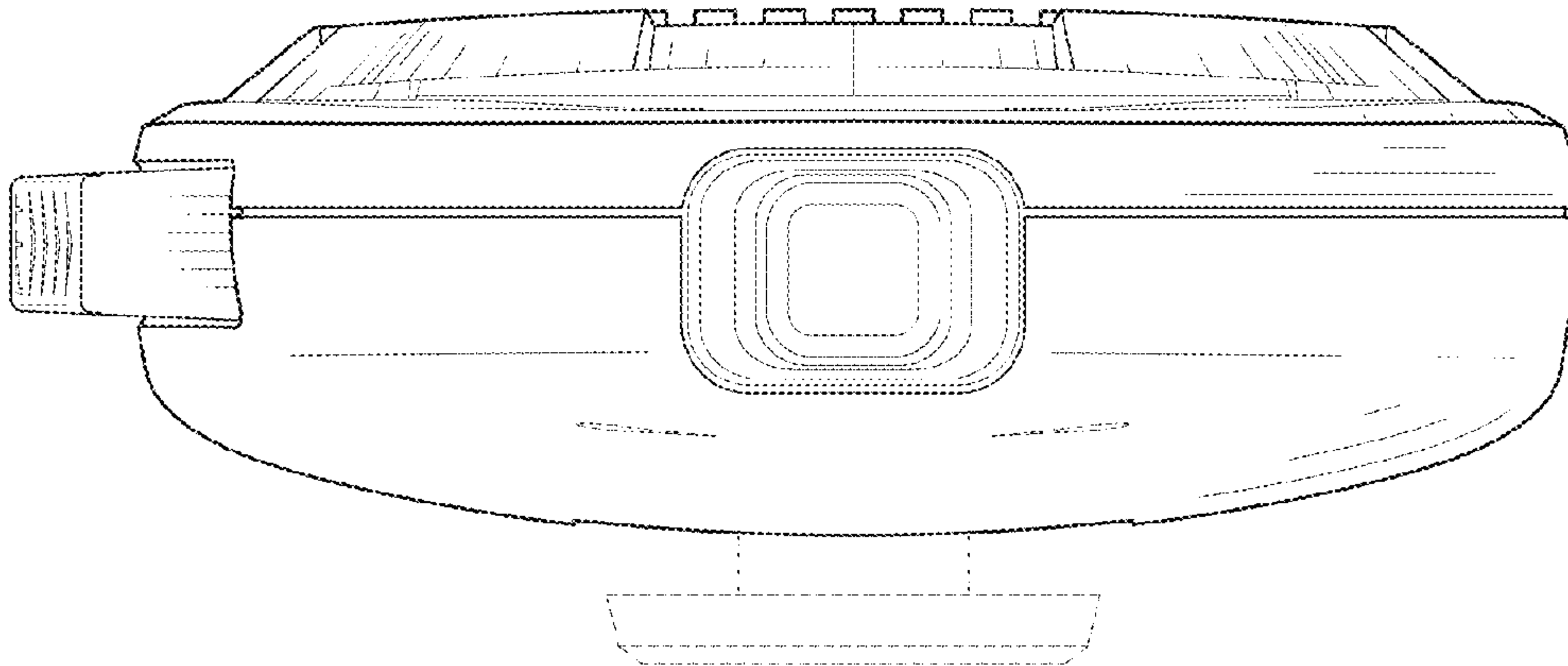


FIG. 7