



US00D720724S

(12) **United States Design Patent**  
**Olswang et al.**

(10) **Patent No.:** **US D720,724 S**  
(45) **Date of Patent:** **\*\* Jan. 6, 2015**

(54) **PORTABLE AUDIO MIXER DOCK**

(71) Applicants: **Benjamin Seth Olswang**, Seattle, WA (US); **Jeffrey M. Humphrey**, Seattle, WA (US); **Frank Larry Frederick**, Monroe, WA (US); **Nathan Pius O'Neill**, Snohomish, WA (US); **Graham Cyril Jordan**, Snohomish, WA (US); **Kent Swendseid**, Woodinville, WA (US); **John Phillip Boudreau**, Seattle, WA (US)

(72) Inventors: **Benjamin Seth Olswang**, Seattle, WA (US); **Jeffrey M. Humphrey**, Seattle, WA (US); **Frank Larry Frederick**, Monroe, WA (US); **Nathan Pius O'Neill**, Snohomish, WA (US); **Graham Cyril Jordan**, Snohomish, WA (US); **Kent Swendseid**, Woodinville, WA (US); **John Phillip Boudreau**, Seattle, WA (US)

(73) Assignee: **LOUD Technologies Inc**, Woodinville, WA (US)

(\*\*) Term: **14 Years**

(21) Appl. No.: **29/457,080**

(22) Filed: **Jun. 6, 2013**

**Related U.S. Application Data**

(60) Division of application No. 29/433,548, filed on Oct. 1, 2012, now Pat. No. Des. 690,683, which is a continuation of application No. 29/411,212, filed on Jan. 18, 2012, now Pat. No. Des. 685,766.

(51) **LOC (10) Cl.** ..... **14-03**

(52) **U.S. Cl.**  
USPC ..... **D14/217**

(58) **Field of Classification Search**

CPC ..... G06F 1/1626; G06F 1/1688; G10H 1/46; G10H 1/0008; G10H 1/0025; G10H 3/186; G10H 2210/125; G10H 2240/131; G10H 2240/175; G10H 2250/035; G11B 19/02; G11B 20/10527; G11B 27/00; G11B 27/34; G11B 27/031; G11B 27/034; G11B 27/038;

G11B 27/105; G11B 33/025; H03G 3/00; H03G 3/04; H03G 3/3005; H03G 3/3089; H03G 5/00; H03G 5/005; H03G 5/025; H03G 9/18; H04B 1/00; H04B 1/034; H04H 3/186; H04H 60/04; H04H 60/05; H04H 60/91; H04M 1/03; H04M 1/035; H04R 3/00; H04R 3/005; H04R 5/04; H04R 2205/021; H04R 2499/11; H04S 3/02; H04S 3/008; H04S 7/30; H04S 2400/15; H04S 2420/03; H04S 2420/07; G10L 19/008; G10L 19/167  
USPC ..... D14/162, 167, 168, 175, 188, 196-198, D14/217, 257, 258, 434, 496; 13/163, 164; 84/625, 660, 697; 381/119; 455/350  
See application file for complete search history.

(56) **References Cited**

**U.S. PATENT DOCUMENTS**

D493,162 S 7/2004 Amiya  
D553,608 S 10/2007 Williamson

(Continued)

*Primary Examiner* — Keli L Hill

(74) *Attorney, Agent, or Firm* — Christensen O'Connor Johnson Kindness PLLC

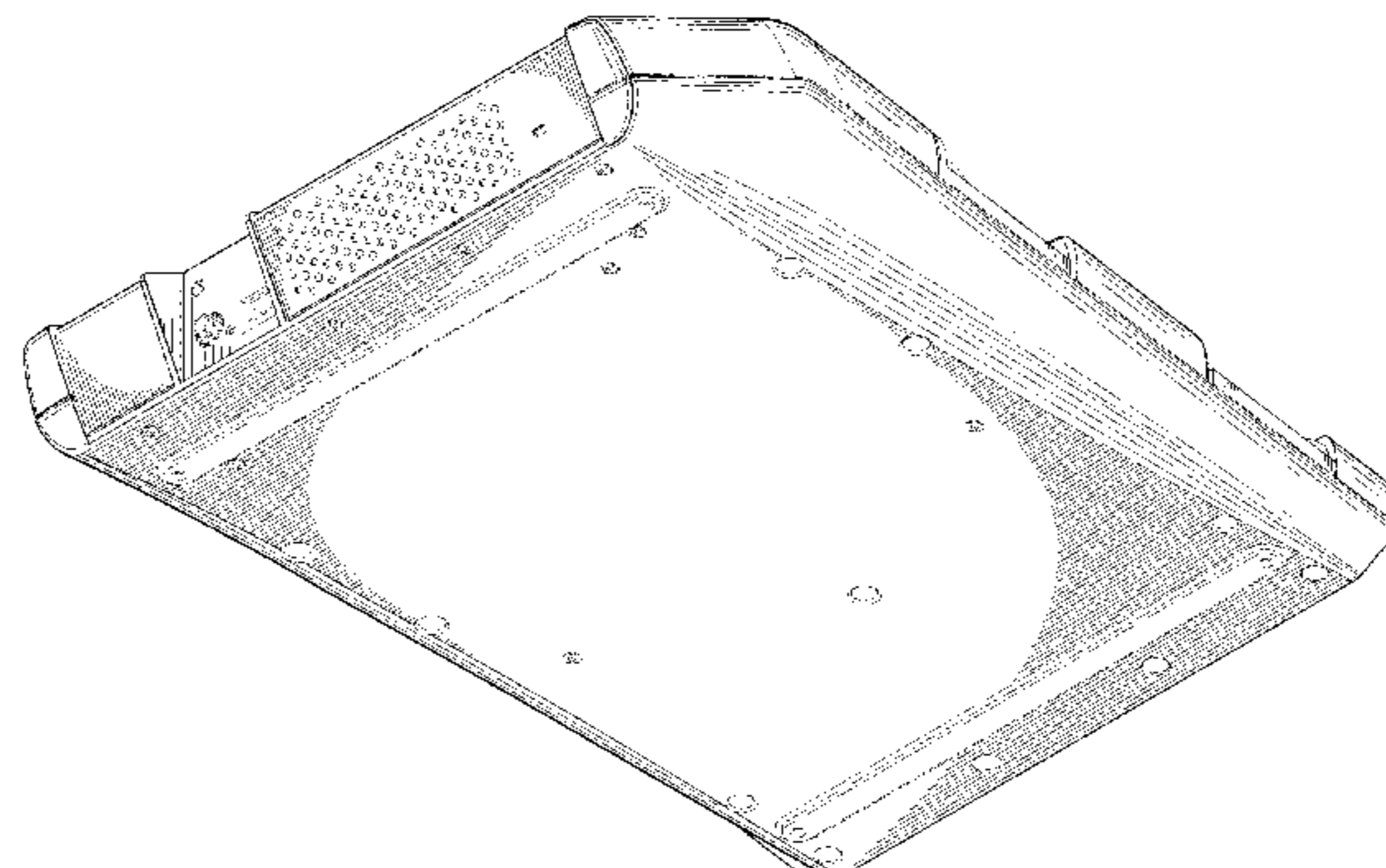
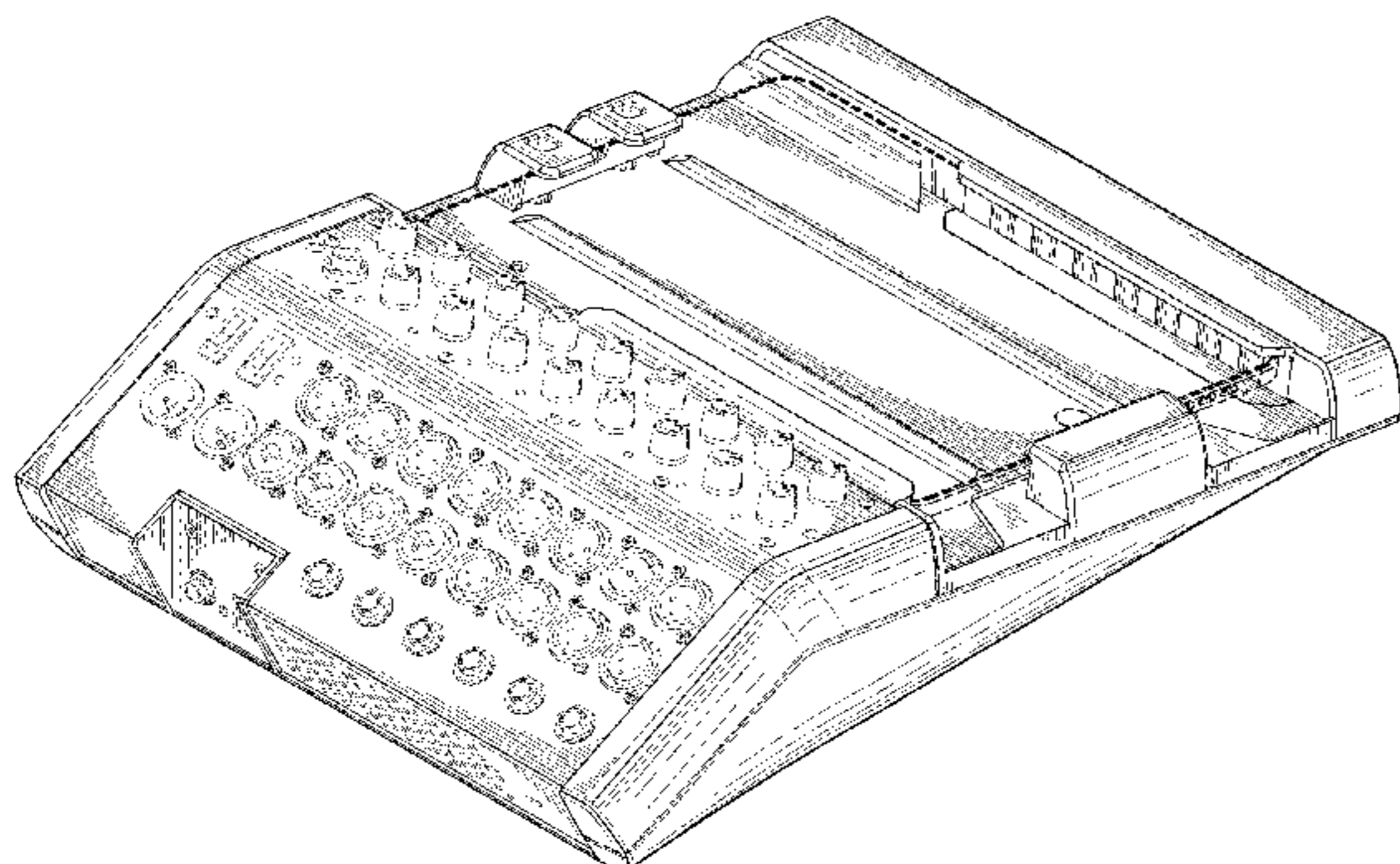
(57) **CLAIM**

The ornamental design for a portable audio mixer dock, as shown and described.

**DESCRIPTION**

FIG. 1 is an isometric view of the design of the present application taken from above, with a computer processing device shown in broken line docked with the portable audio mixer dock;  
FIG. 2 is a bottom isometric view of the design of FIG. 1;  
FIG. 3 is a top view of the design of FIG. 1;  
FIG. 4 is a bottom view of the design of FIG. 1;  
FIG. 5 is an end view of the design of FIG. 1;  
FIG. 6 is an end view of the design of FIG. 1 taken from the opposite end of the design;  
FIG. 7 is a side view of the design of FIG. 1; and,  
FIG. 8 is a side view of the design of FIG. 1 taken from the opposite side of the design relative to FIG. 7.  
The elements depicted in broken lines in the figures are included for environmental purposes only, and form no part of the claimed design.

**1 Claim, 6 Drawing Sheets**



(56)

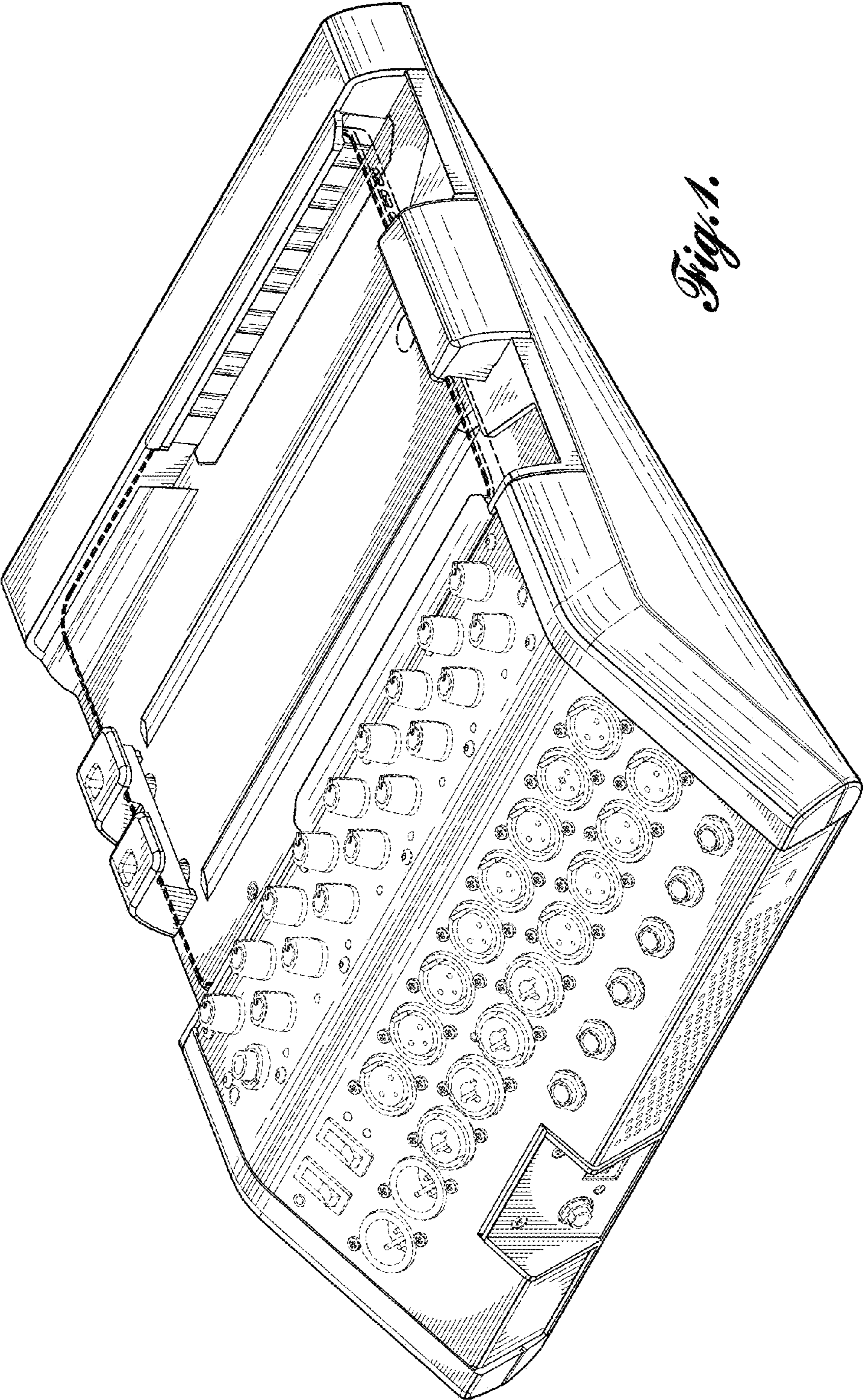
**References Cited**

U.S. PATENT DOCUMENTS

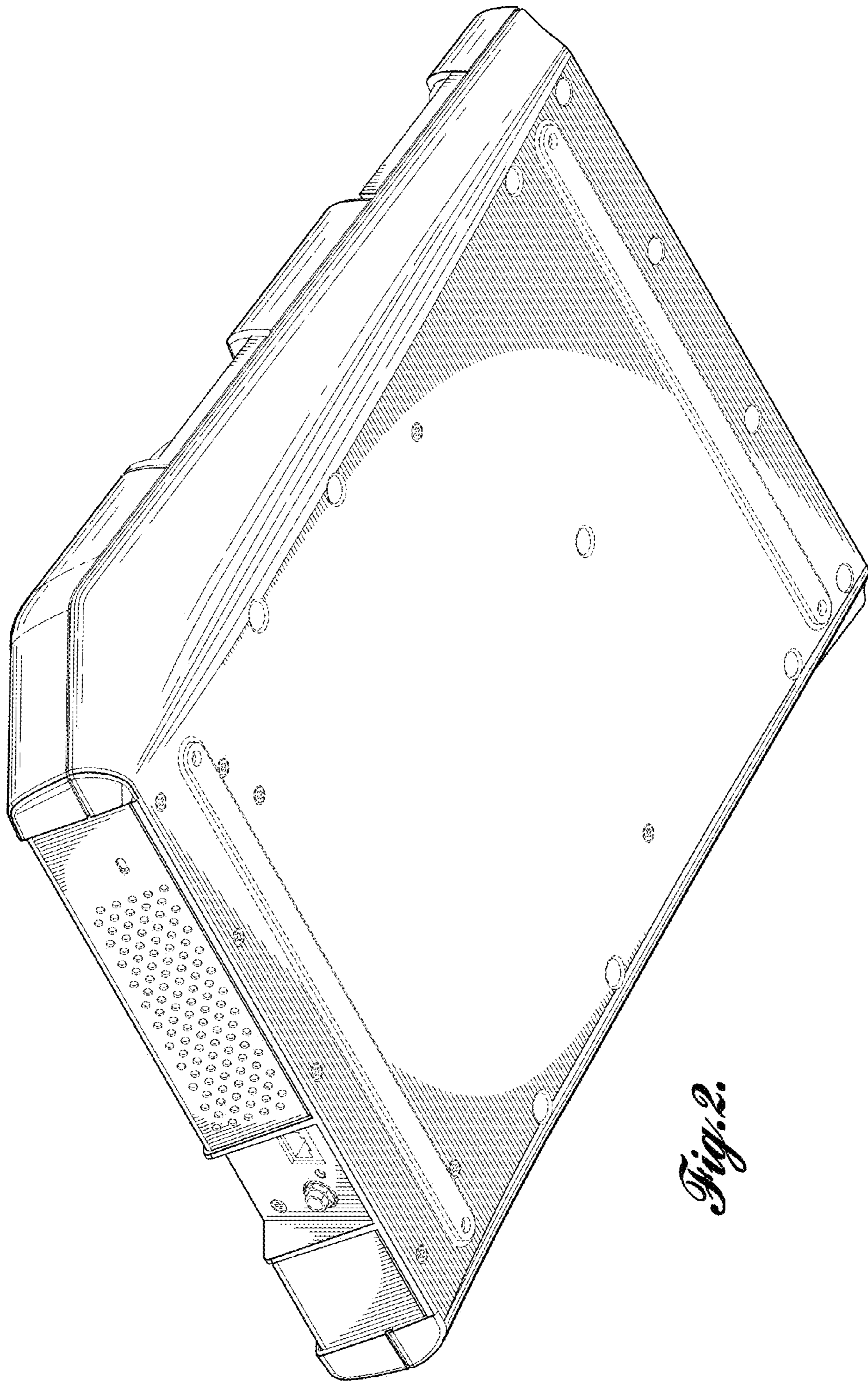
D561,177 S 2/2008 Mittersinker  
D565,031 S 3/2008 Duncan Seil  
D583,798 S 12/2008 Iijima  
D643,410 S 8/2011 Blyth  
D650,783 S 12/2011 Ausfeld  
D654,077 S 2/2012 Radin

D663,302 S 7/2012 Radin  
D663,303 S 7/2012 Radin  
D663,734 S 7/2012 Radin  
D685,766 S \* 7/2013 Olswang et al. .... D14/217  
D687,037 S \* 7/2013 Zhou et al. .... D14/434  
D689,486 S \* 9/2013 O'Donnell et al. .... D14/388  
D690,683 S \* 10/2013 Olswang et al. .... D14/217  
2013/0182872 A1 \* 7/2013 Olswang et al. .... 381/119

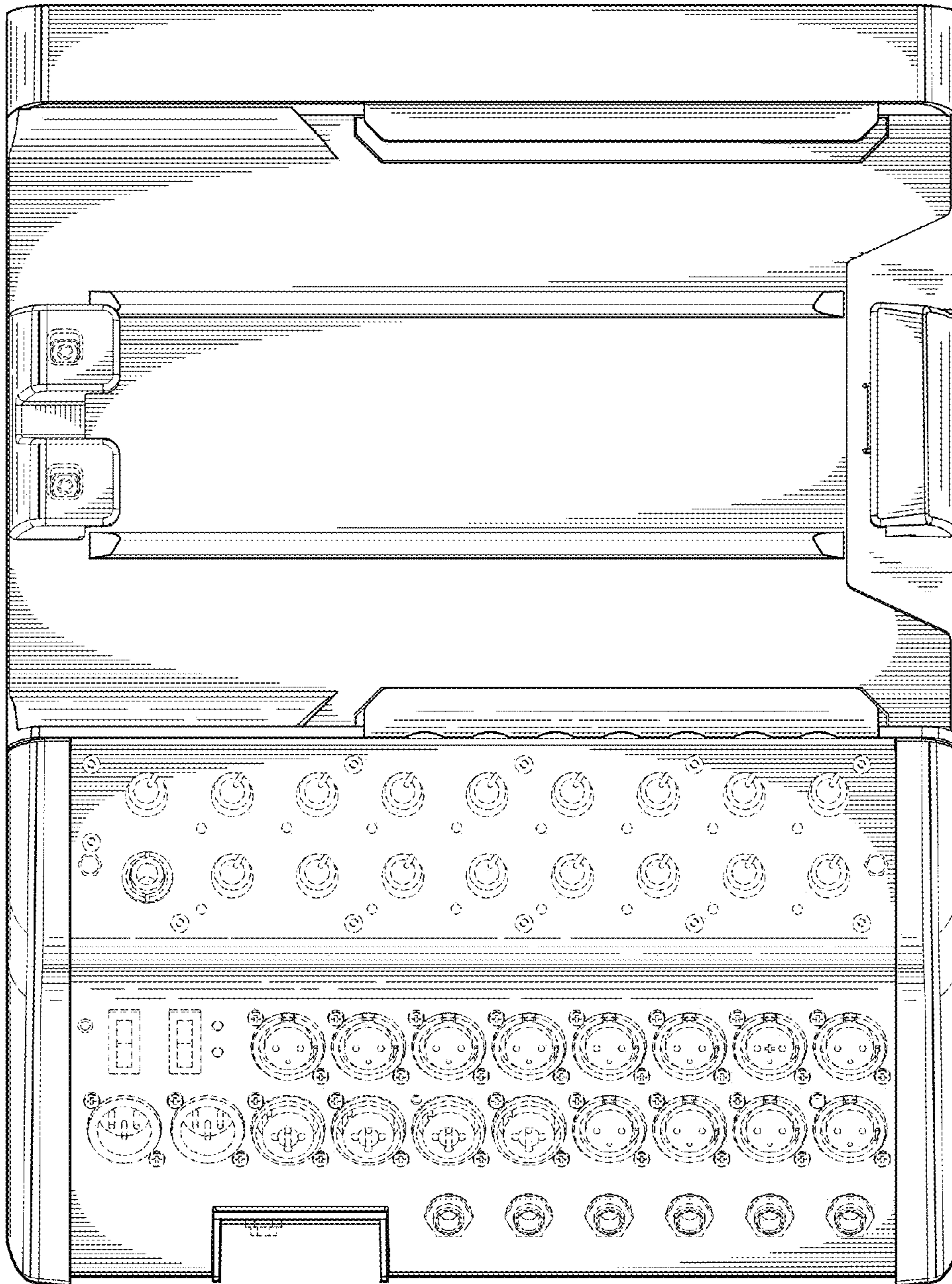
\* cited by examiner



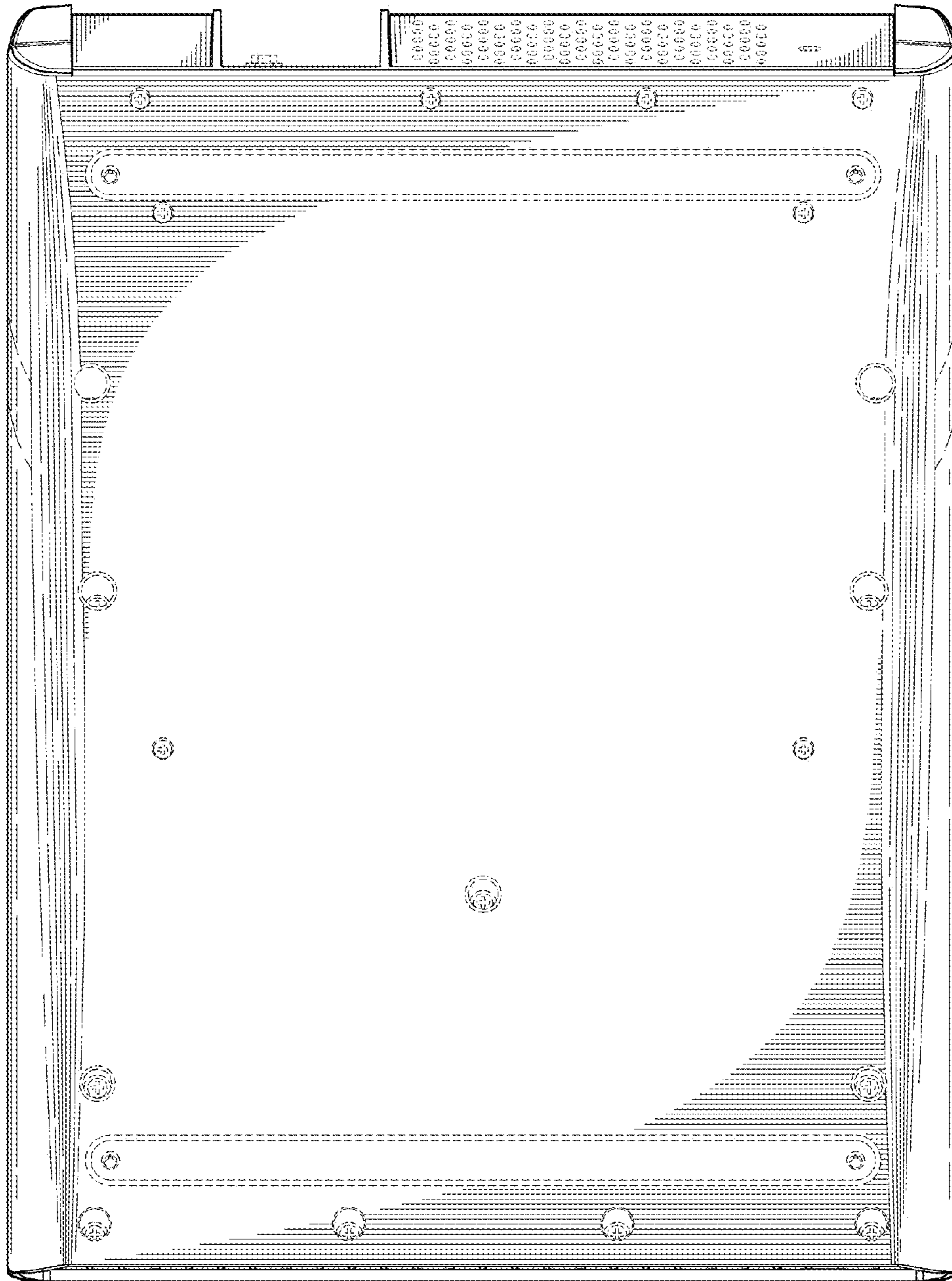
*Fig. 1.*



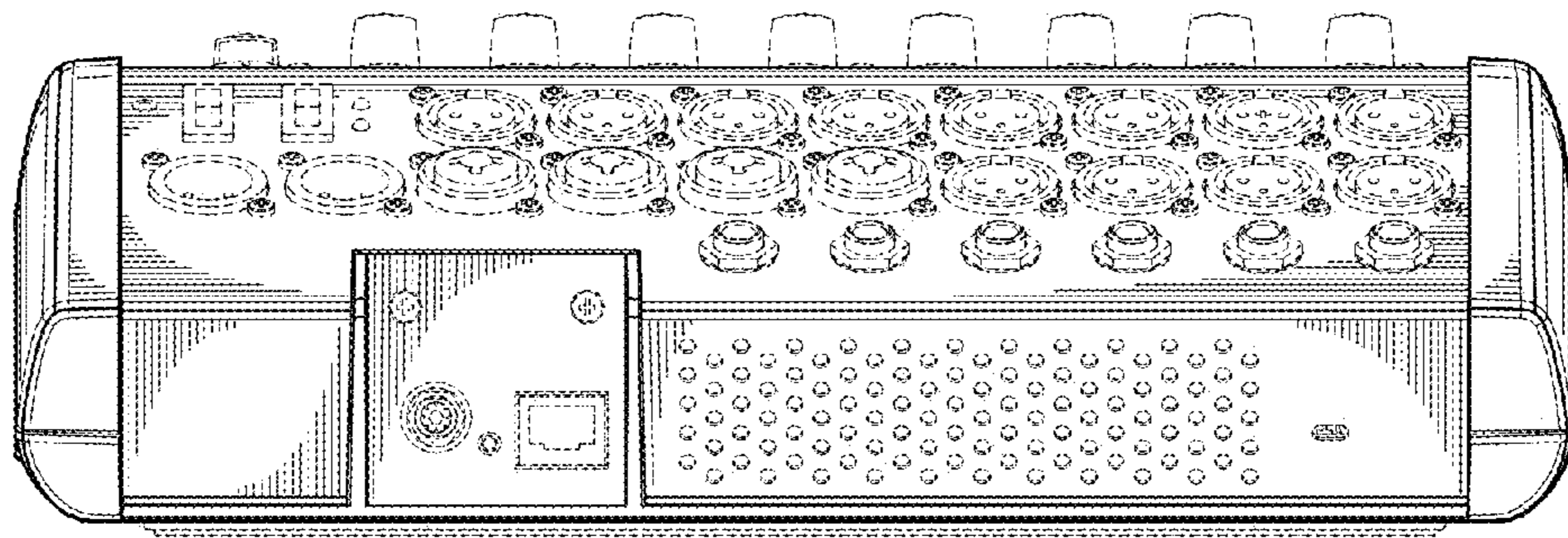
*Fig. 2.*



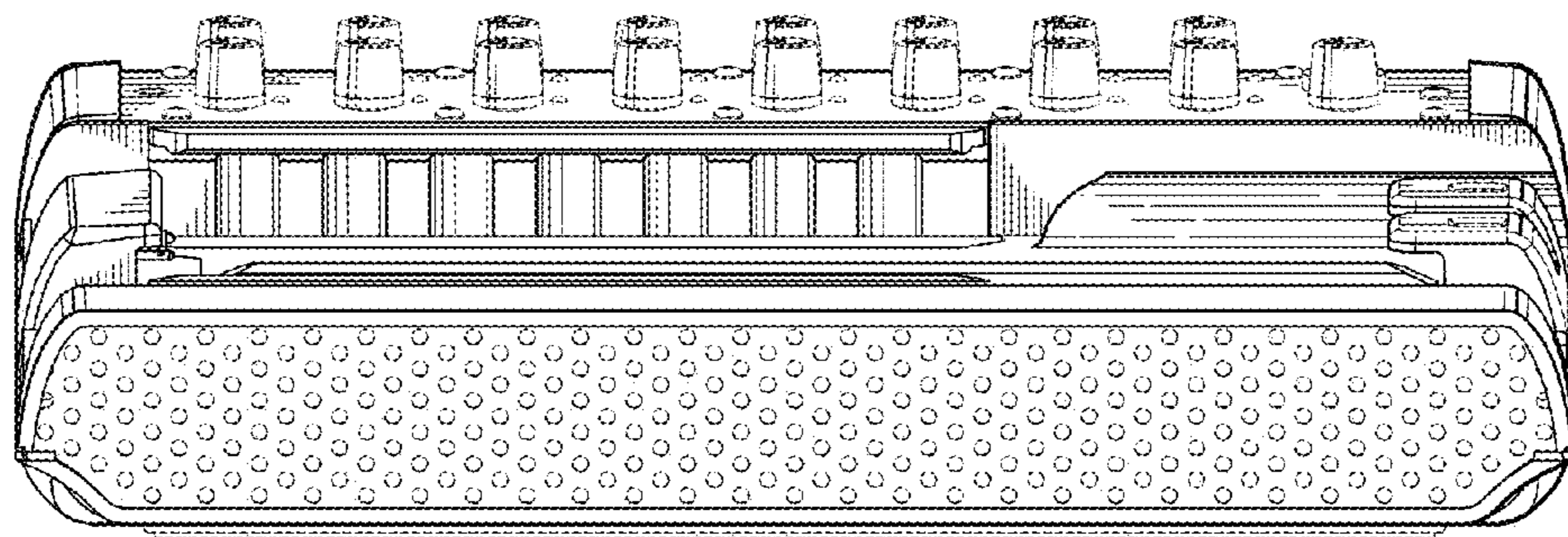
*Fig. 3.*



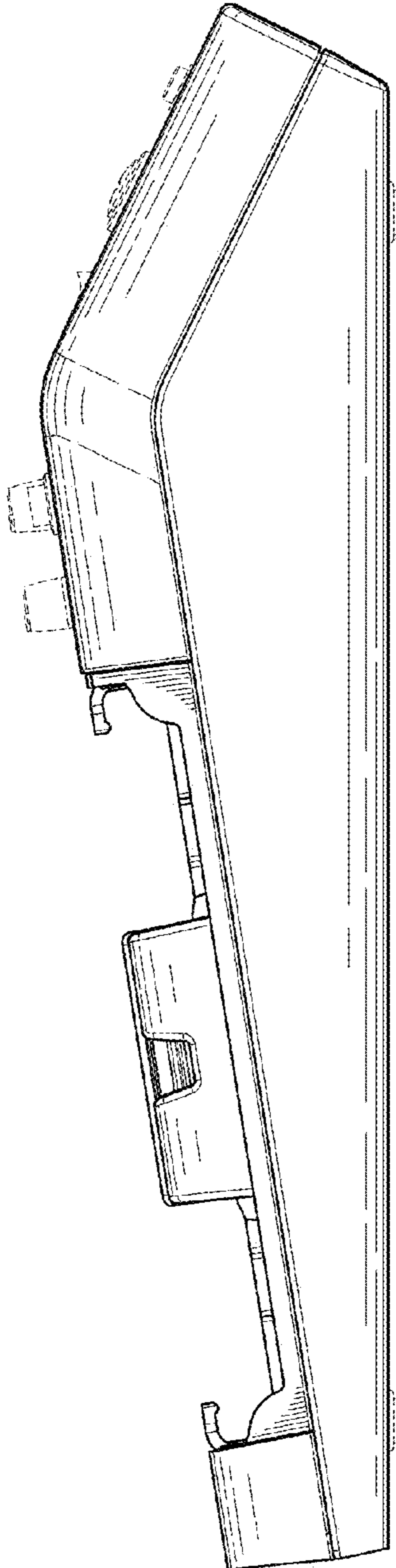
*Fig. 4.*



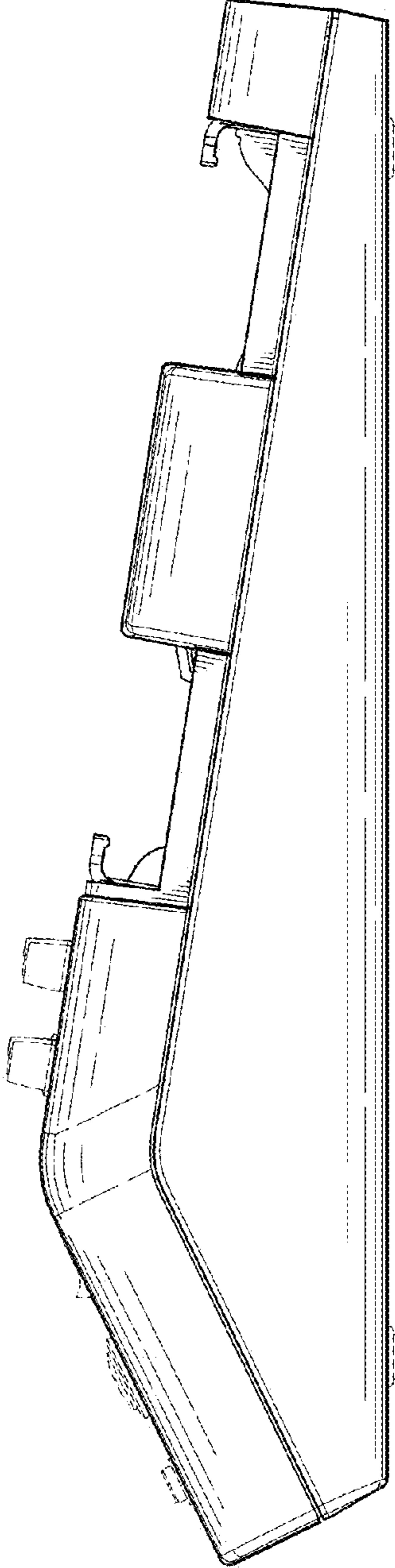
*Fig. 5.*



*Fig. 6.*



*Fig. 7.*



*Fig. 8.*