



US00D720721S

(12) **United States Design Patent**
Lu

(10) **Patent No.:** **US D720,721 S**
(45) **Date of Patent:** **** Jan. 6, 2015**

(54) **HEADPHONE**

(71) Applicant: **Koninklijke Philips N.V.**, Eindhoven (NL)

(72) Inventor: **Luke Lu**, Hong Kong (CN)

(73) Assignee: **Koninklijke Philips N.V.**, Eindhoven (NL)

(**) Term: **14 Years**

(21) Appl. No.: **29/480,910**

(22) Filed: **Jan. 30, 2014**

(30) **Foreign Application Priority Data**

Jul. 31, 2013 (EM) 002284695-0001

(51) **LOC (10) Cl.** **14-01**

(52) **U.S. Cl.**
USPC **D14/205**

(58) **Field of Classification Search**
CPC H04R 1/1066
USPC D14/205, 206; D29/112; 2/209;
181/129, 130, 135; 379/430, 431;
381/380, 381, 374; 455/90.3, 575.1
See application file for complete search history.

(56) **References Cited**

U.S. PATENT DOCUMENTS

2,149,341	A *	3/1939	Harrison	381/379
3,505,684	A *	4/1970	Hutchinson et al.	2/209
3,810,525	A *	5/1974	Crenna	181/129
D246,259	S *	11/1977	Nishimura et al.	D14/205
4,173,715	A *	11/1979	Gosman	381/382
4,385,209	A *	5/1983	Greason et al.	381/113
5,035,005	A *	7/1991	Hung	2/209
D351,172	S *	10/1994	Nakamura et al.	D14/205
6,611,963	B2 *	9/2003	Woo et al.	2/209

D560,654	S *	1/2008	Feng et al.	D14/205
D570,825	S *	6/2008	Schultz et al.	D14/205
D632,668	S *	2/2011	Brunner et al.	D14/205
D635,959	S *	4/2011	Hutchieson	D14/205
D639,791	S *	6/2011	Corley et al.	D14/248
8,085,966	B2 *	12/2011	Amsel	381/370
8,098,873	B2 *	1/2012	Furuya et al.	381/374
D657,344	S *	4/2012	Brunner et al.	D14/205
D657,345	S *	4/2012	Brunner et al.	D14/205
D669,451	S *	10/2012	Tappeiner et al.	D14/205
D673,518	S *	1/2013	Tan	D14/205
D673,520	S *	1/2013	Tan	D14/205
D674,767	S *	1/2013	Brunner et al.	D14/205
D678,860	S *	3/2013	Hagelin	D14/205
D683,329	S *	5/2013	Hagelin	D14/205
D684,559	S *	6/2013	Groset et al.	D14/205
D689,463	S *	9/2013	Hardi et al.	D14/205
D696,226	S *	12/2013	Brunner et al.	D14/205

(Continued)

Primary Examiner — Paula Greene

(74) *Attorney, Agent, or Firm* — Venable LLP; Steven J. Schwarz

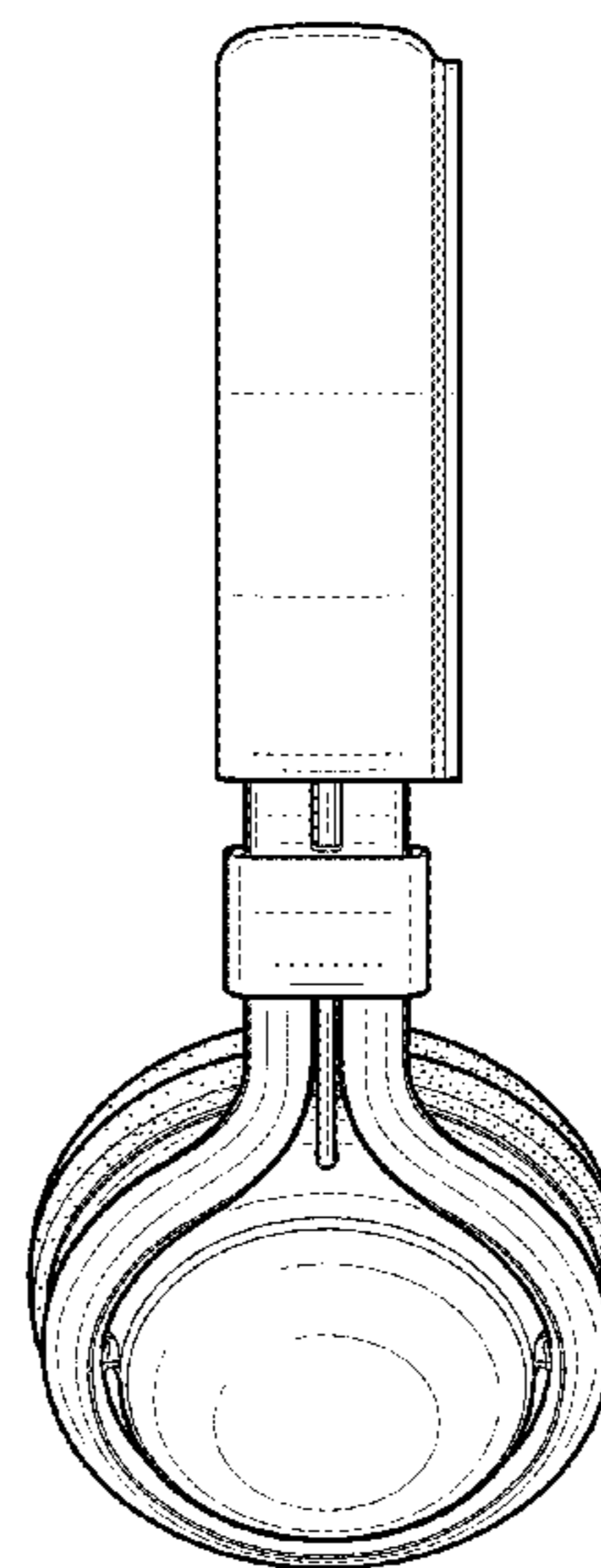
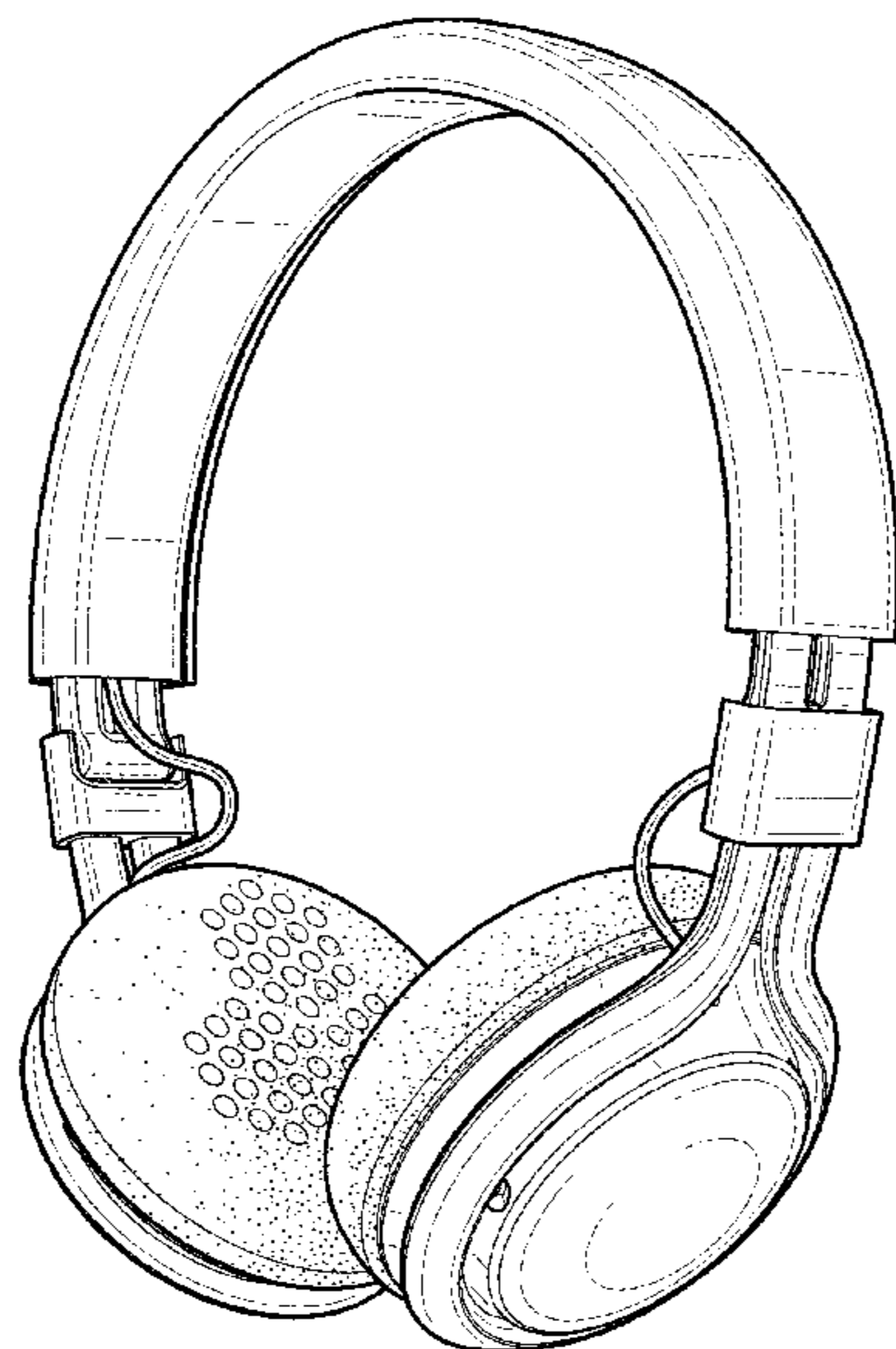
(57) **CLAIM**

The ornamental design for headphone, as shown and described.

DESCRIPTION

FIG. 1 is a perspective view of a headphone according to an embodiment of the claimed design;
FIG. 2 is a front elevational view of the headphone of FIG. 1;
FIG. 3 is a rear view elevational view of the headphone of FIG. 1;
FIG. 4 is a left elevational view of the headphone of FIG. 1;
FIG. 5 is a right elevational view of the headphone of FIG. 1;
FIG. 6 is a top elevational view of the headphone of FIG. 1; and,
FIG. 7 is a bottom elevational view of the headphone of FIG. 1.

1 Claim, 5 Drawing Sheets



US D720,721 S

Page 2

(56)

References Cited

U.S. PATENT DOCUMENTS

D704,163 S *	5/2014	Brunner et al.	D14/205
D707,200 S *	6/2014	Yang	D14/205
D713,817 S *	9/2014	Paterson et al.	D14/205
D702,210 S *	4/2014	Birger	D14/205

* cited by examiner

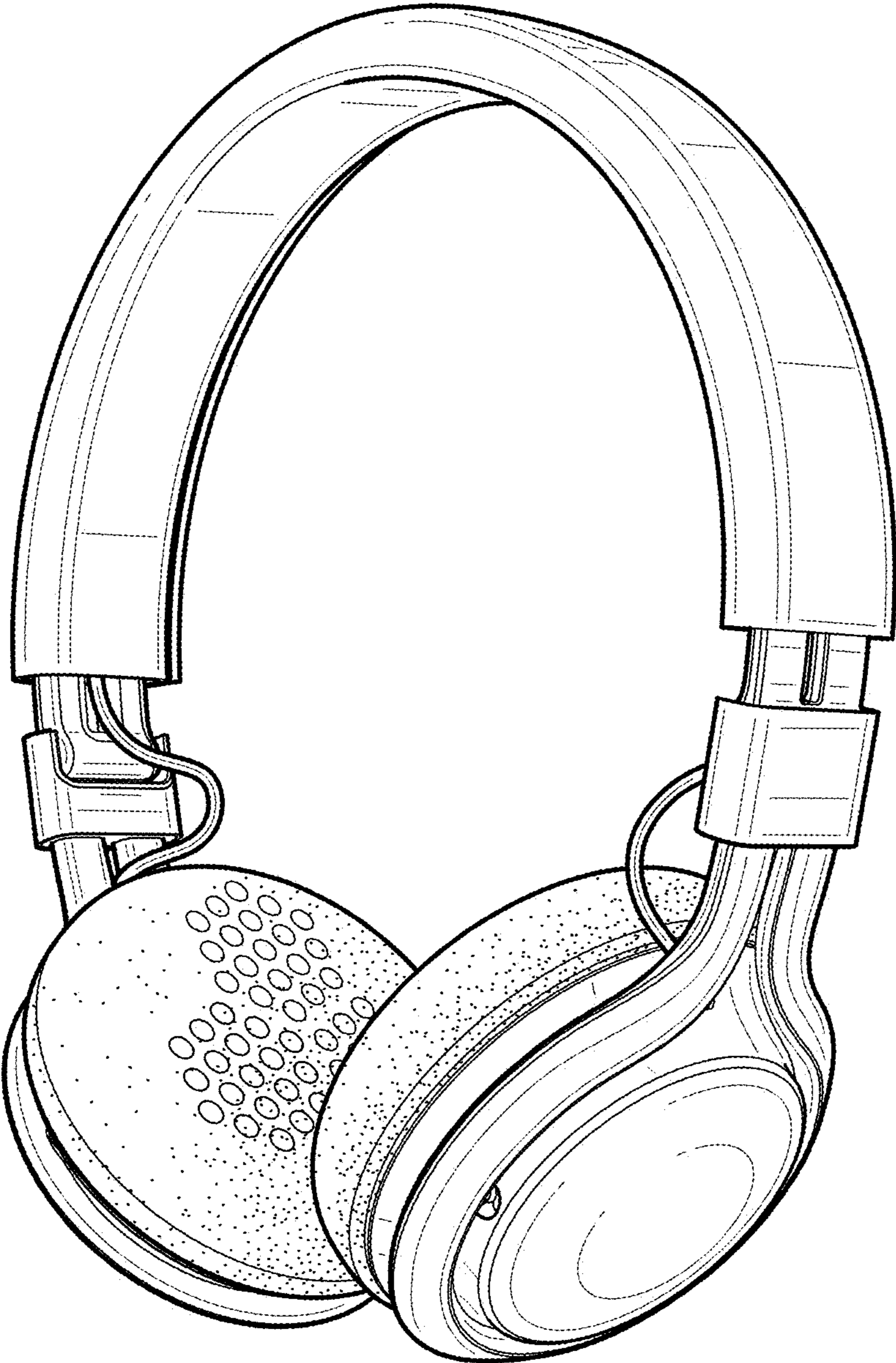


FIG. 1



FIG. 2



FIG. 3

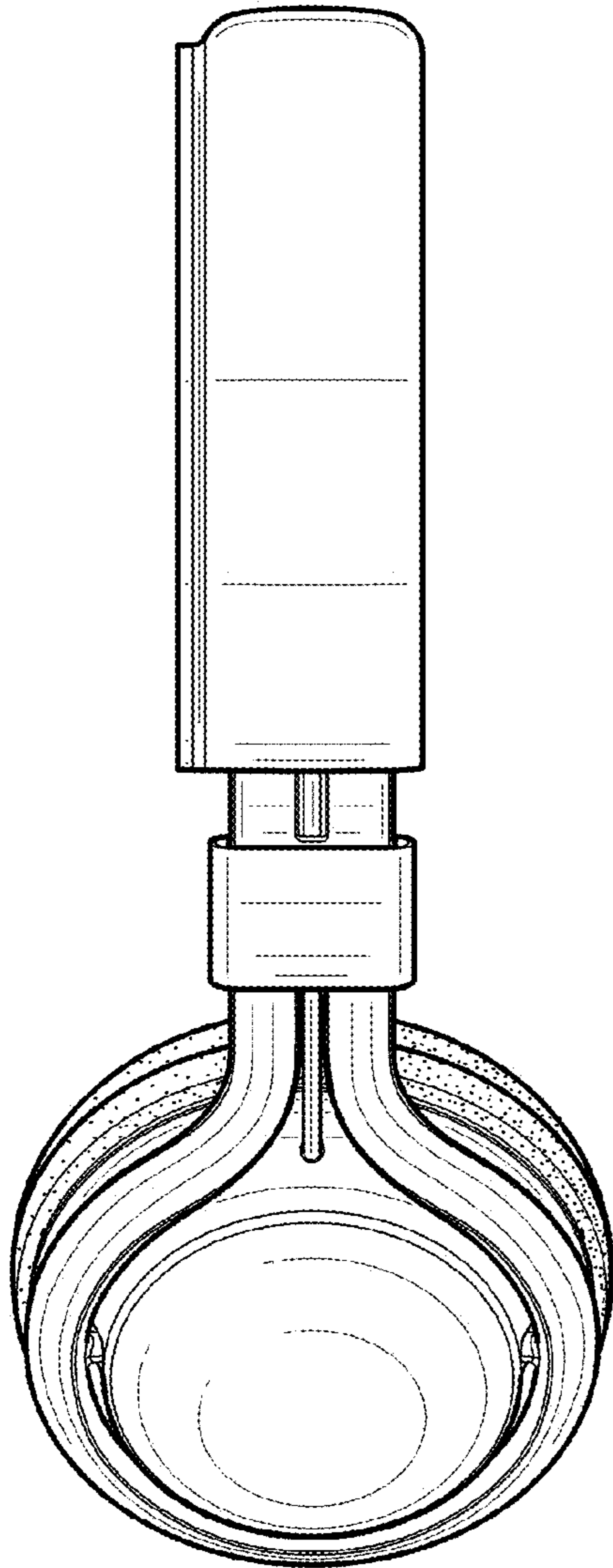


FIG. 4

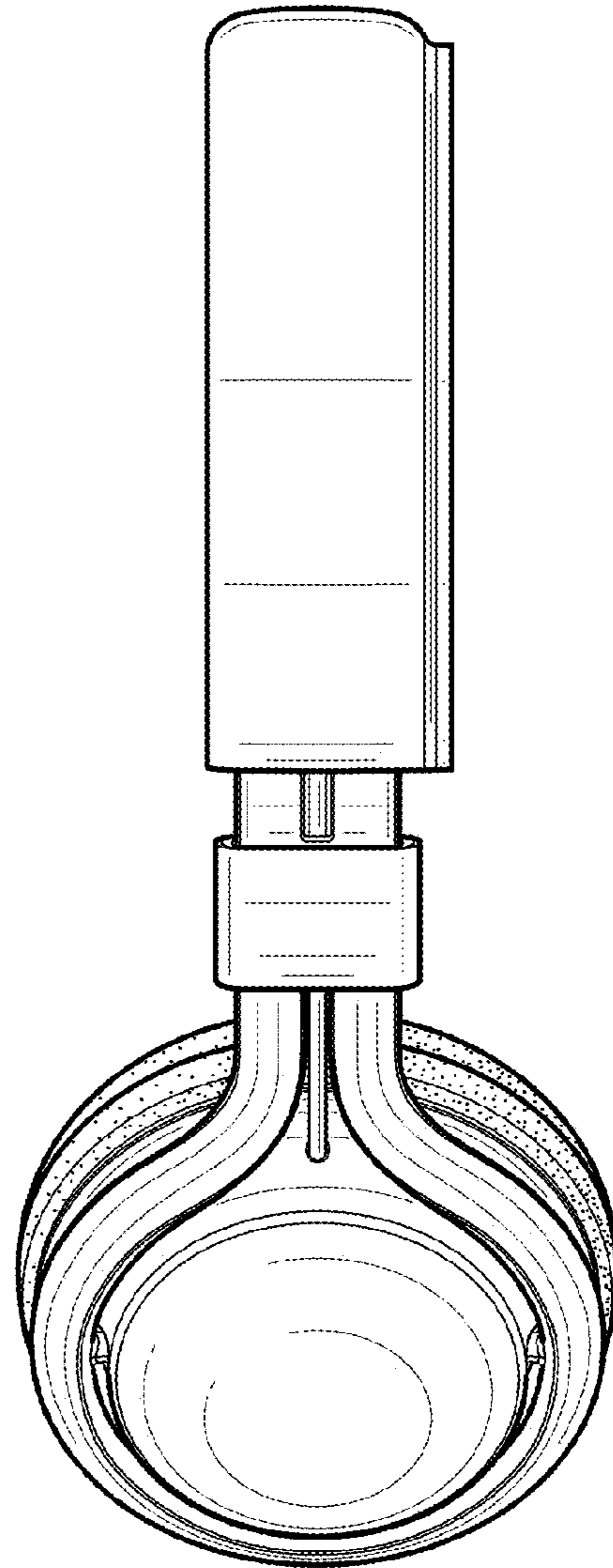


FIG. 5

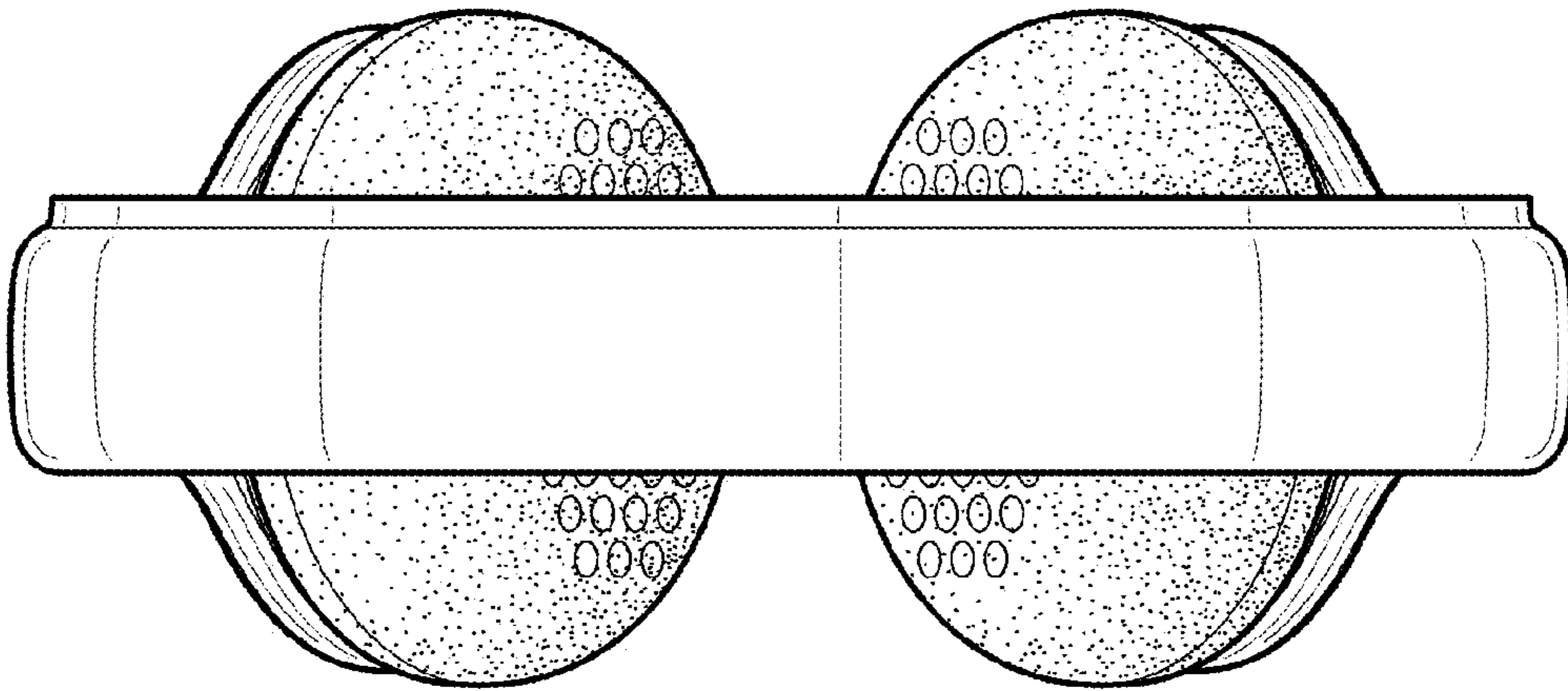


FIG. 6

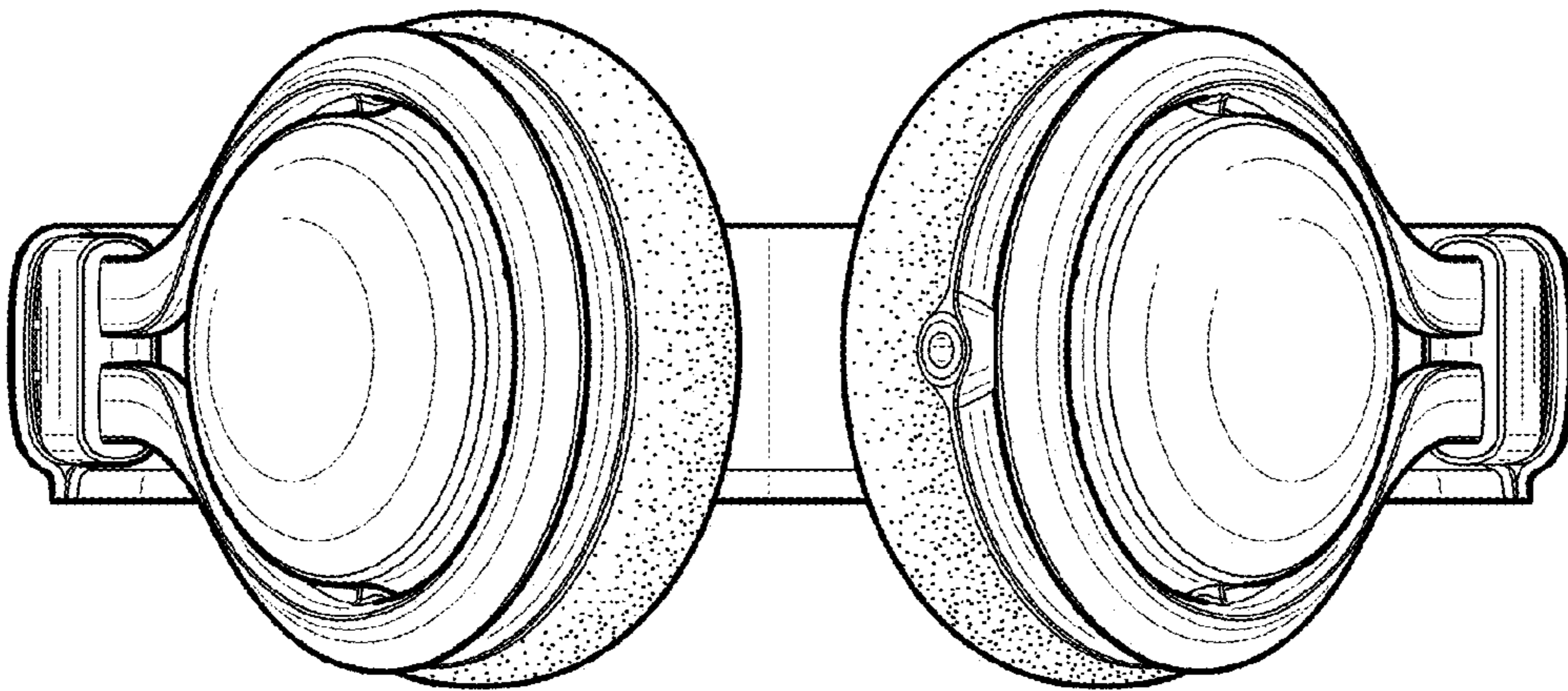


FIG. 7