



US00D720720S

(12) **United States Design Patent**  
**Yu**

(10) **Patent No.:** **US D720,720 S**  
(45) **Date of Patent:** **\*\* Jan. 6, 2015**

(54) **EARPHONE**

(71) Applicant: **Shenzhen Rapoo Technology Co., Ltd.**,  
Shenzhen, Guangdong (CN)

(72) Inventor: **Cuijing Yu**, Guangdong (CN)

(73) Assignee: **Shenzhen Rapoo Technology Co., Ltd.**,  
Shenzhen (CN)

(\*\*) Term: **14 Years**

(21) Appl. No.: **29/472,597**

(22) Filed: **Nov. 14, 2013**

(30) **Foreign Application Priority Data**

May 15, 2013 (CN) ..... 2013 3 0178985

(51) **LOC (10) Cl.** ..... **14-01**

(52) **U.S. Cl.**  
USPC ..... **D14/205**

(58) **Field of Classification Search**

CPC ..... H04R 25/00; H04R 1/1066; H04S 1/005  
USPC ..... D14/205; D29/112; 181/129, 130, 135;  
379/430, 431; 381/380, 381, 370, 374,  
381/382; 2/209; 455/90.3, 575.1

See application file for complete search history.

(56) **References Cited**

**U.S. PATENT DOCUMENTS**

678,170 A \* 7/1901 Gardner ..... 128/866  
3,506,981 A \* 4/1970 Stewart et al. .... 2/209  
3,562,816 A \* 2/1971 Hutchinson ..... 2/209  
4,403,120 A \* 9/1983 Yoshimi ..... 381/380  
4,597,469 A \* 7/1986 Nagashima ..... 181/129  
D318,053 S \* 7/1991 Ludeke et al. .... D14/206

D328,074 S \* 7/1992 Yamazaki et al. .... D14/205  
5,293,647 A \* 3/1994 Mirmilshteyn et al. .... 2/209  
D346,802 S \* 5/1994 Sacherman et al. .... D14/206  
5,369,857 A \* 12/1994 Sacherman et al. .... 29/594  
D358,389 S \* 5/1995 Isono ..... D14/205  
5,551,090 A \* 9/1996 Thompson ..... 2/209  
D439,574 S \* 3/2001 Katayama ..... D14/203.5  
D453,015 S \* 1/2002 Yuyama ..... D14/205  
D505,411 S \* 5/2005 Sakai ..... D14/192  
D508,908 S \* 8/2005 Chueh ..... D14/205  
D517,526 S \* 3/2006 Komiyama ..... D14/205  
D540,301 S \* 4/2007 Obata ..... D14/205  
D557,684 S \* 12/2007 Pundsack et al. .... D14/205  
D581,394 S \* 11/2008 Lee ..... D14/205  
D582,890 S \* 12/2008 Koza et al. .... D14/205  
D591,263 S \* 4/2009 Shimizu ..... D14/205

(Continued)

*Primary Examiner* — Paula Greene

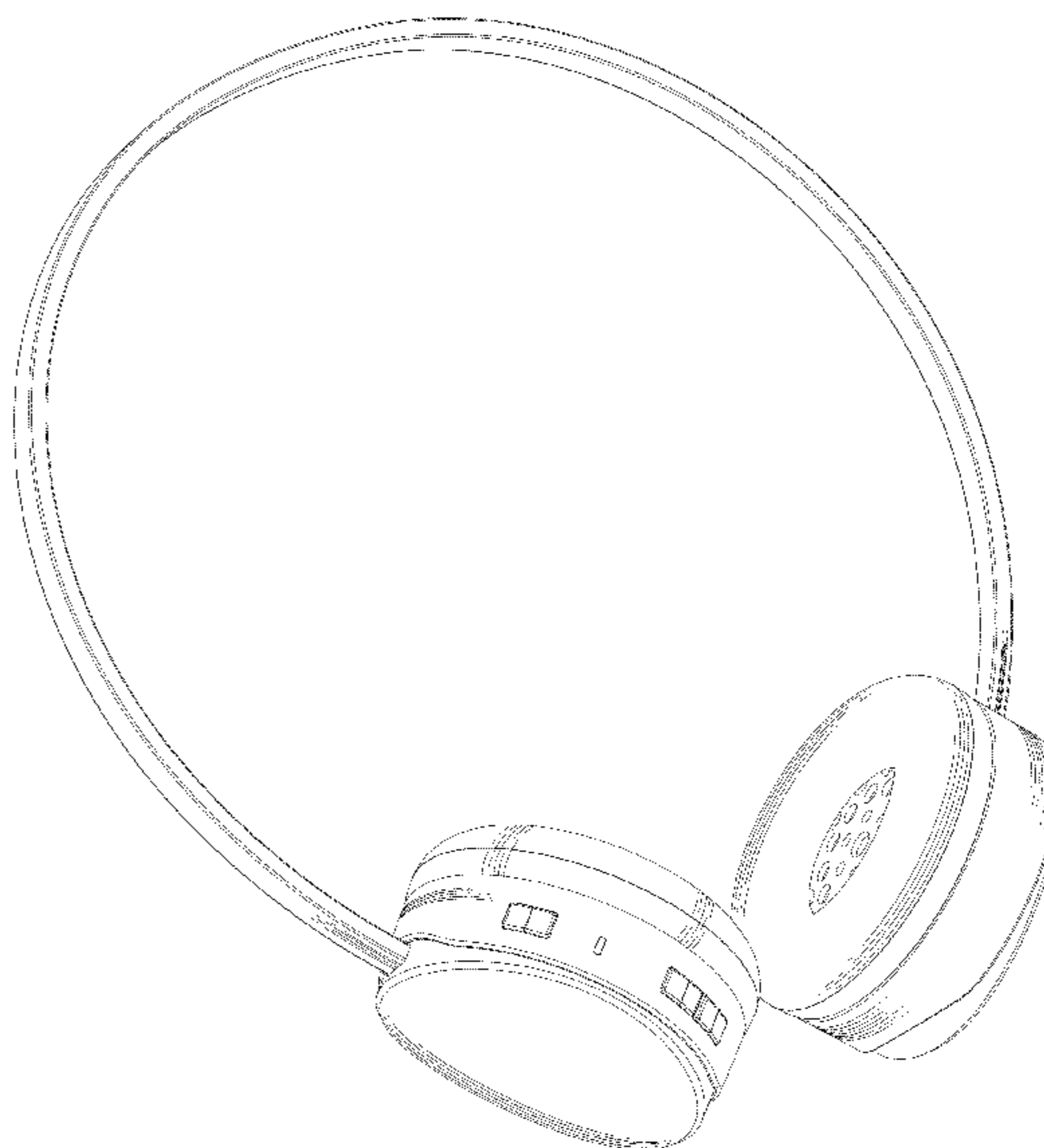
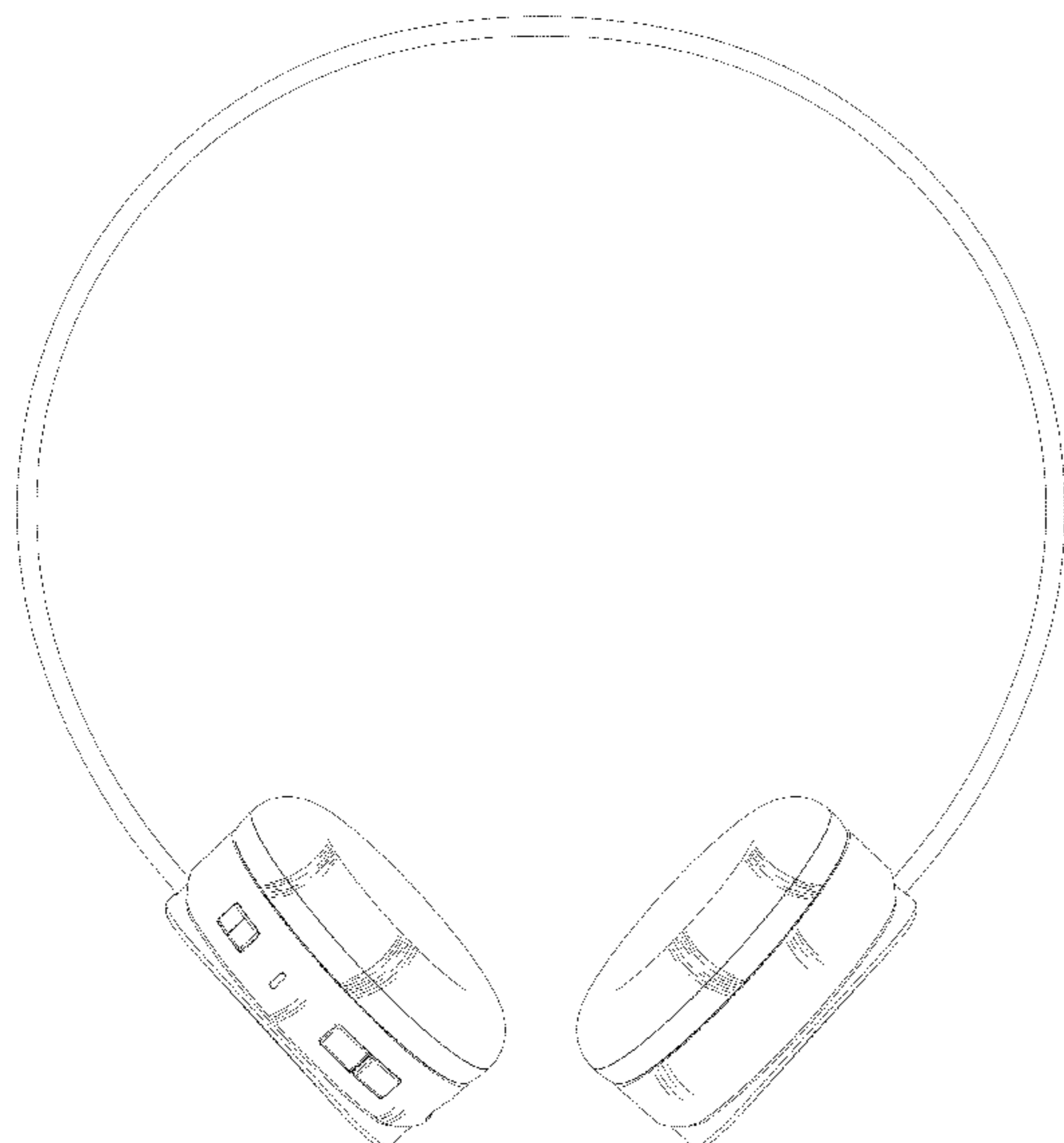
(57) **CLAIM**

The ornamental design for an earphone, as shown and described.

**DESCRIPTION**

FIG. 1 is a front view of an earphone of my new design;  
FIG. 2 is a back view of the earphone of FIG. 1;  
FIG. 3 is a left view of the earphone of FIG. 1;  
FIG. 4 is a right view of the earphone of FIG. 1;  
FIG. 5 is a top view of the earphone of FIG. 1;  
FIG. 6 is a bottom view of the earphone of FIG. 1;  
FIG. 7 is a left perspective view of the earphone of FIG. 1;  
FIG. 8 is a right perspective view of the earphone of FIG. 1;  
FIG. 9 is a top perspective view of the earphone of FIG. 1;  
and,  
FIG. 10 is a bottom perspective view of the earphone of FIG. 1.

**1 Claim, 10 Drawing Sheets**



(56)

**References Cited**

U.S. PATENT DOCUMENTS

D592,640 S *	5/2009	Tkachuk .....	D14/205	D658,156 S *	4/2012	Olodort et al. ....	D14/205
7,720,246 B2 *	5/2010	Wang et al. ....	381/383	8,208,672 B2 *	6/2012	Nageno et al. ....	381/374
D617,769 S *	6/2010	Birger .....	D14/205	D683,329 S *	5/2013	Hagelin .....	D14/205
D625,705 S *	10/2010	Ohori et al. ....	D14/205	D684,139 S *	6/2013	Miyake et al. ....	D14/205
D634,732 S *	3/2011	Kondo et al. ....	D14/205	D696,228 S *	12/2013	Miyake et al. ....	D14/205
8,098,872 B2 *	1/2012	Chang .....	381/371	D704,676 S *	5/2014	Krisztal .....	D14/205
D654,472 S *	2/2012	Fischer .....	D14/206	D710,325 S *	8/2014	Behar et al. ....	D14/205
				2008/0013775 A1 *	1/2008	Lederer .....	381/380
				2008/0037816 A1 *	2/2008	Lee et al. ....	381/379
				2010/0135515 A1 *	6/2010	Walsh .....	381/374

\* cited by examiner

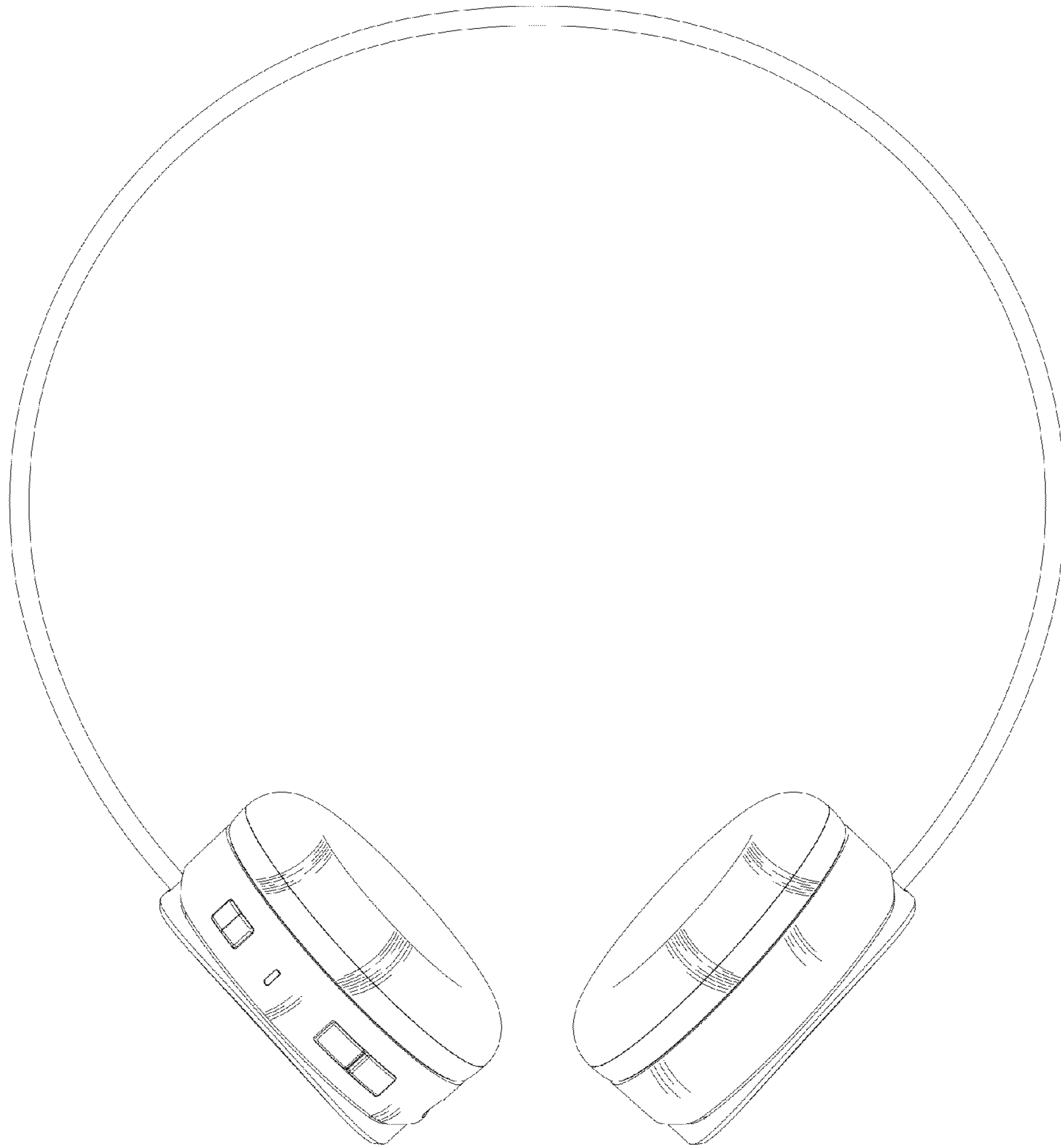


Fig. 1

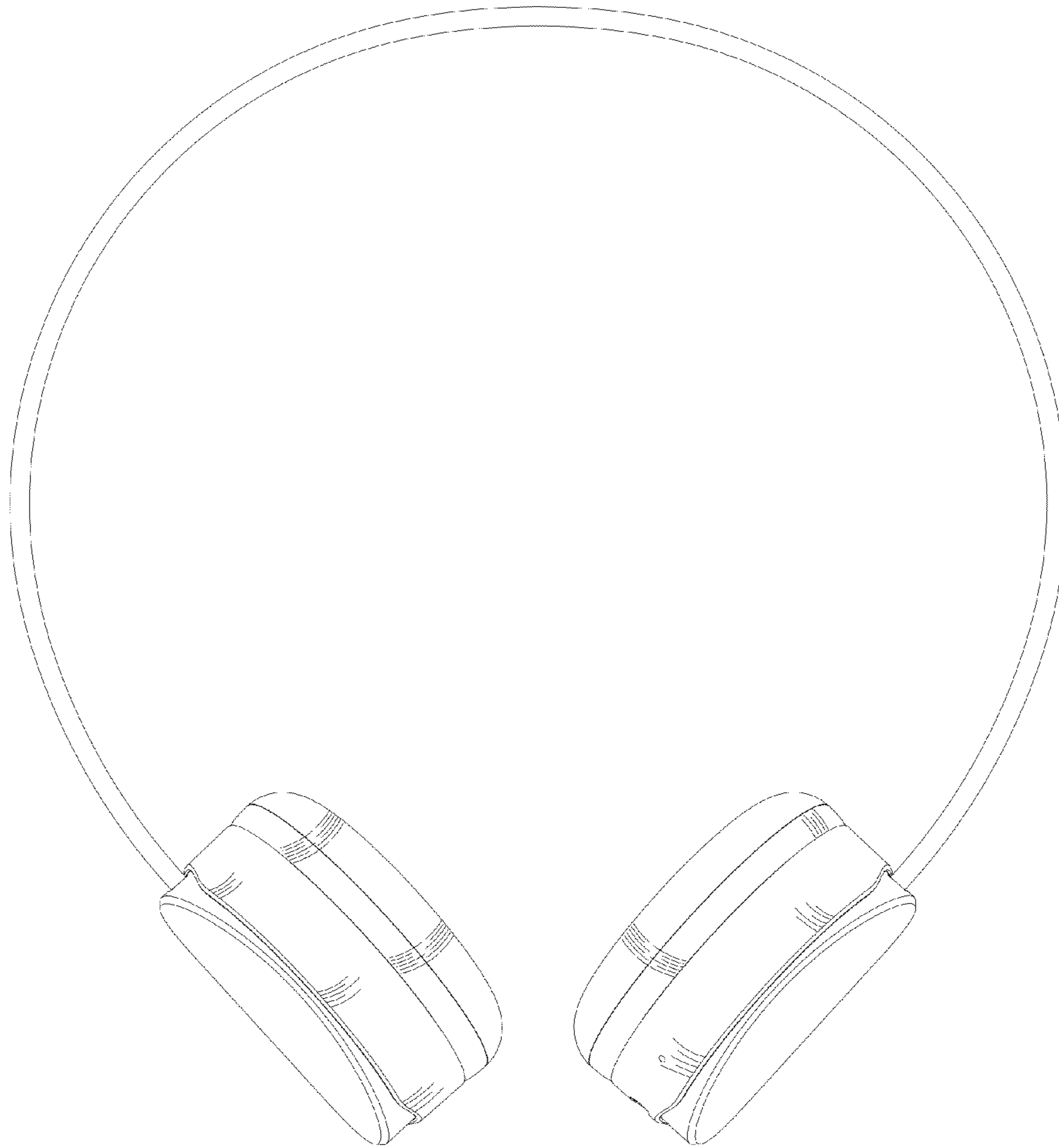


Fig. 2

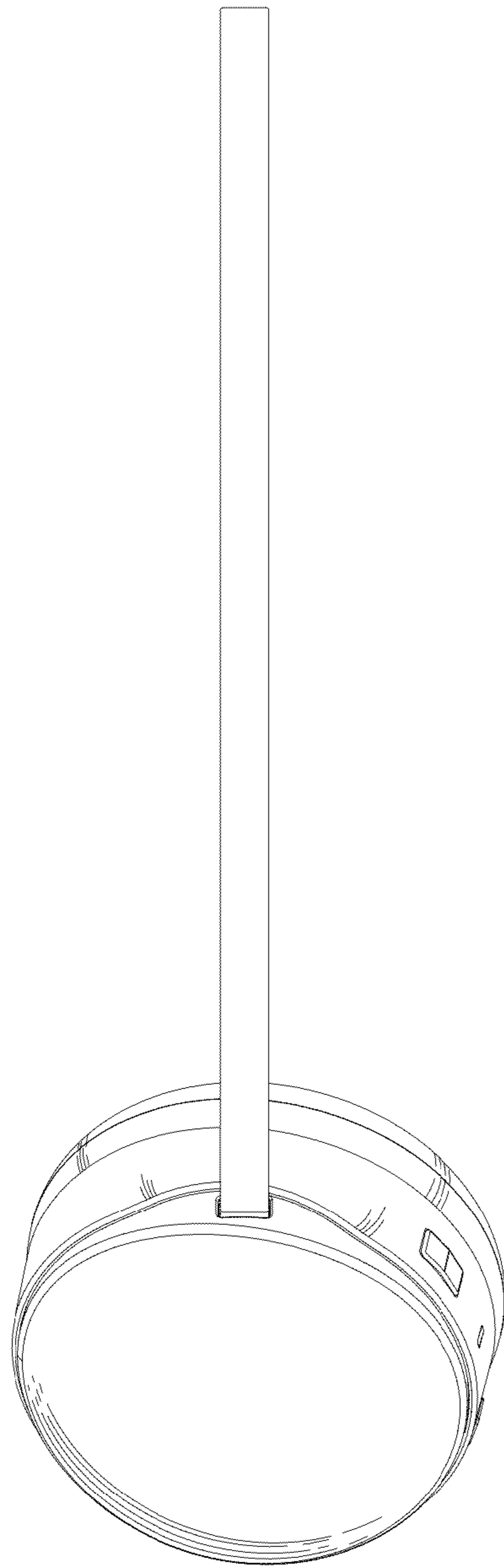


Fig. 3

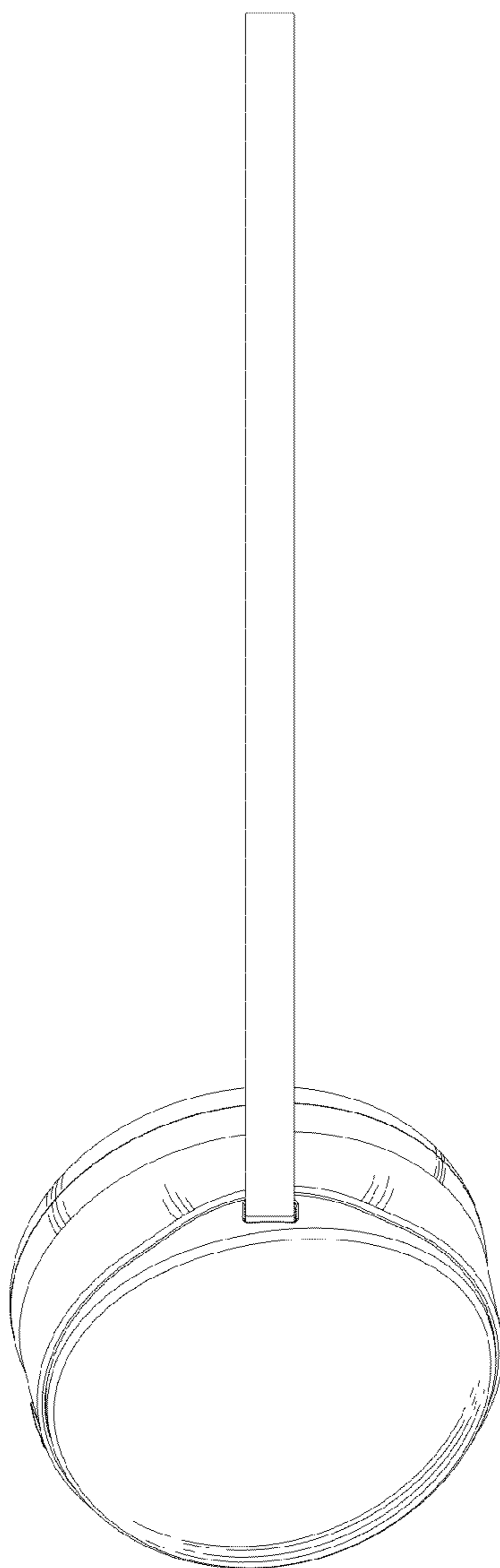


Fig. 4

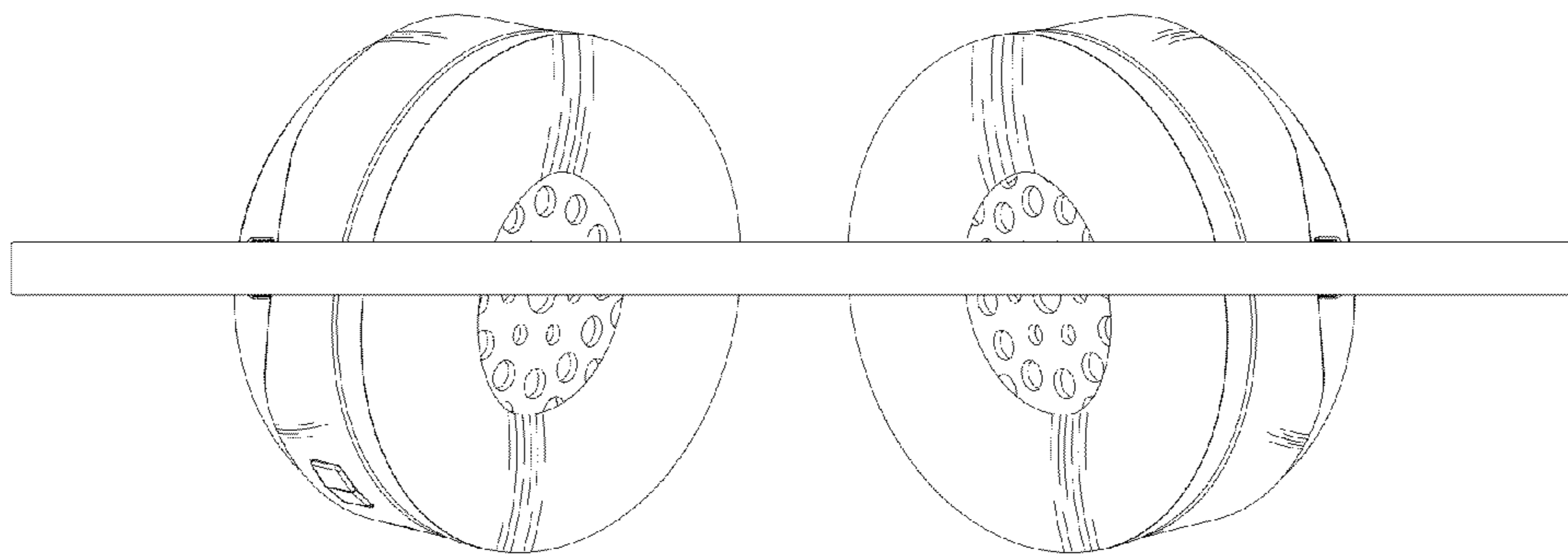


Fig. 5

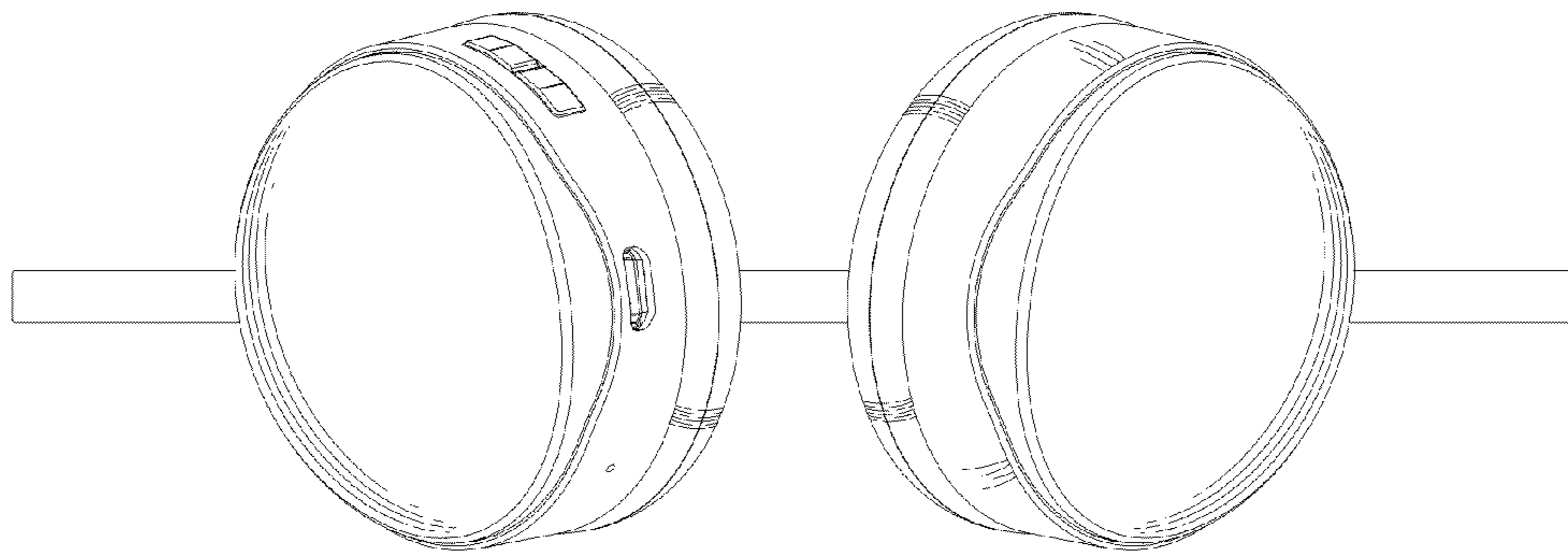


Fig. 6





Fig. 7

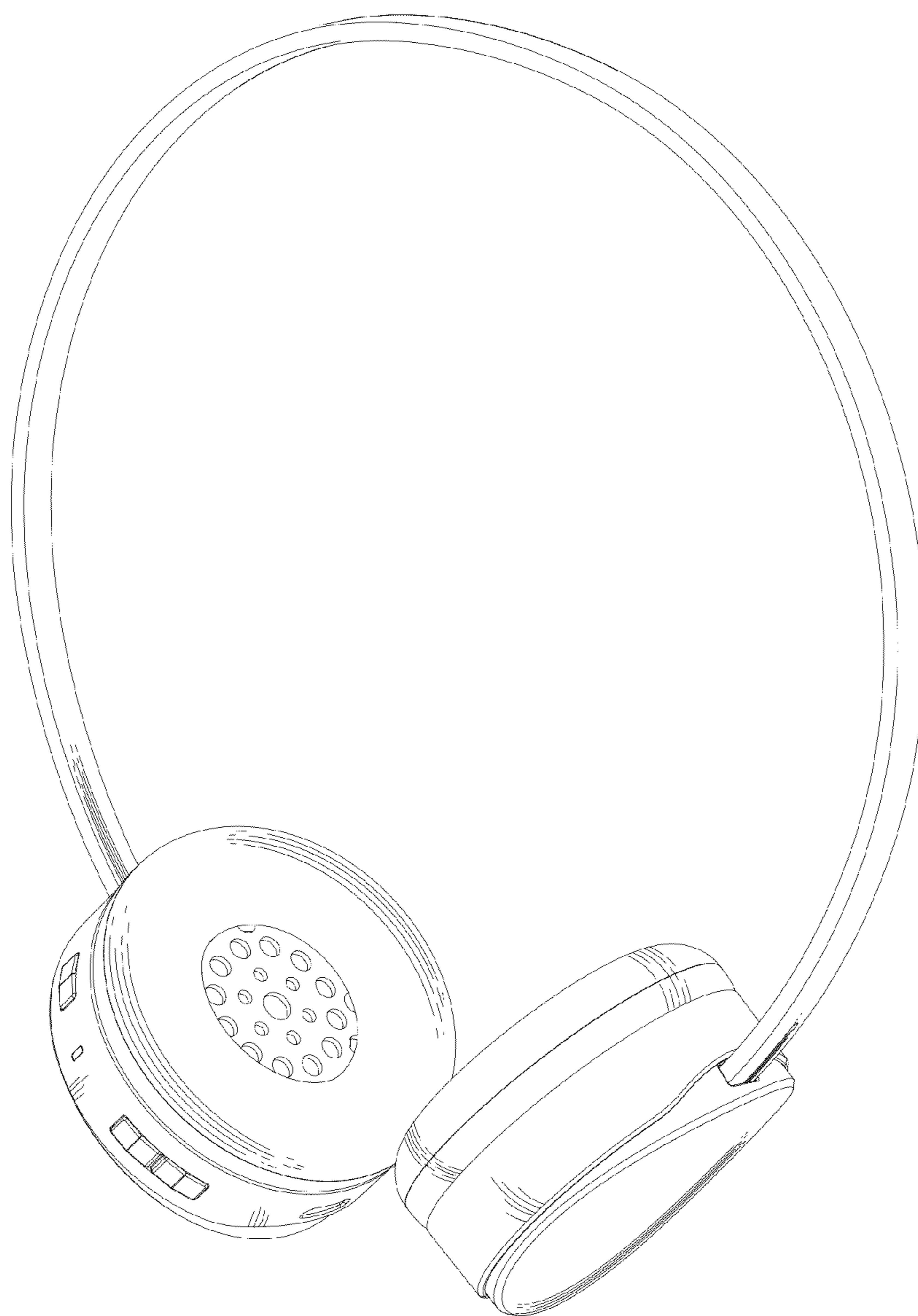


Fig. 8

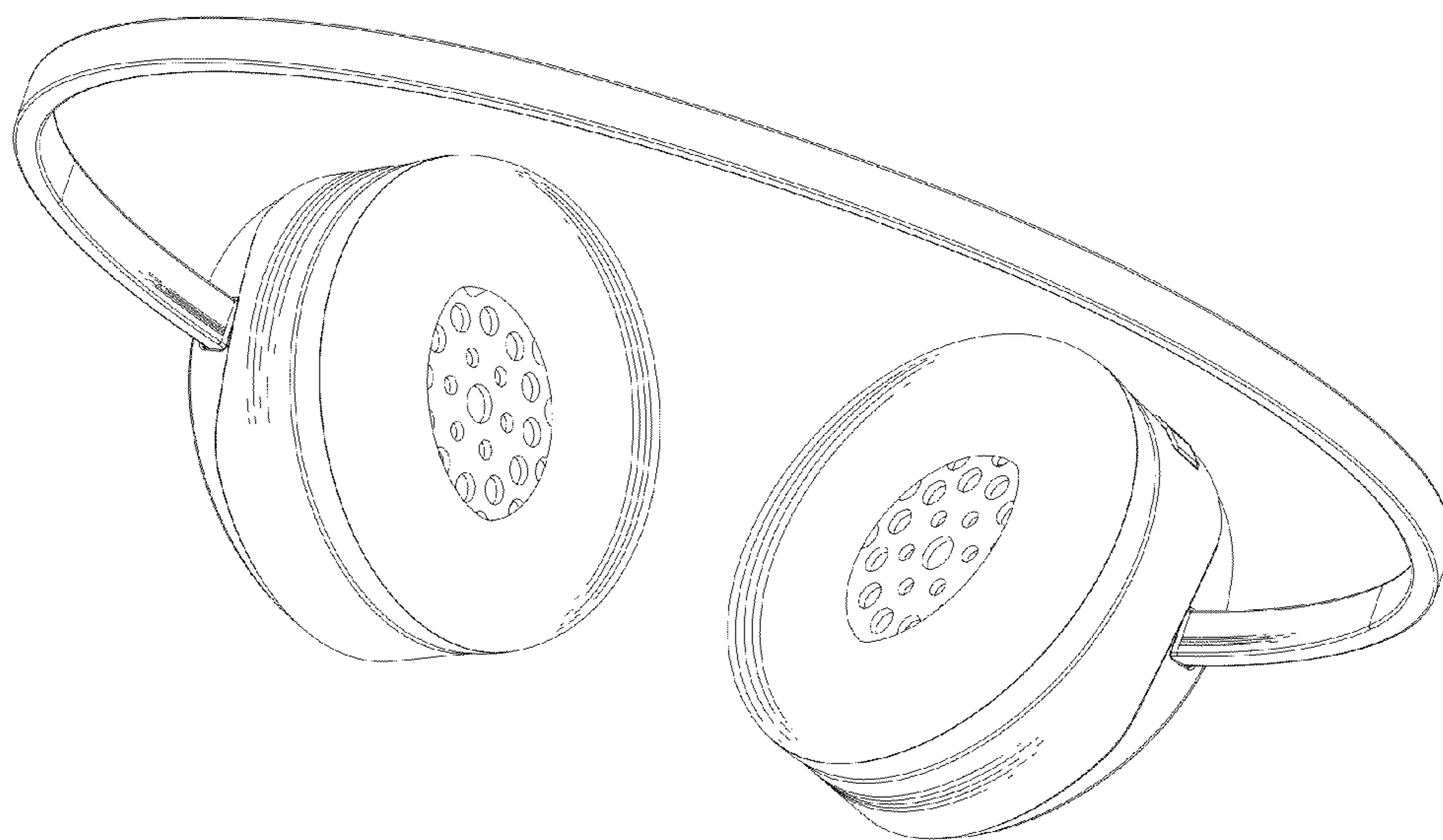


Fig. 9

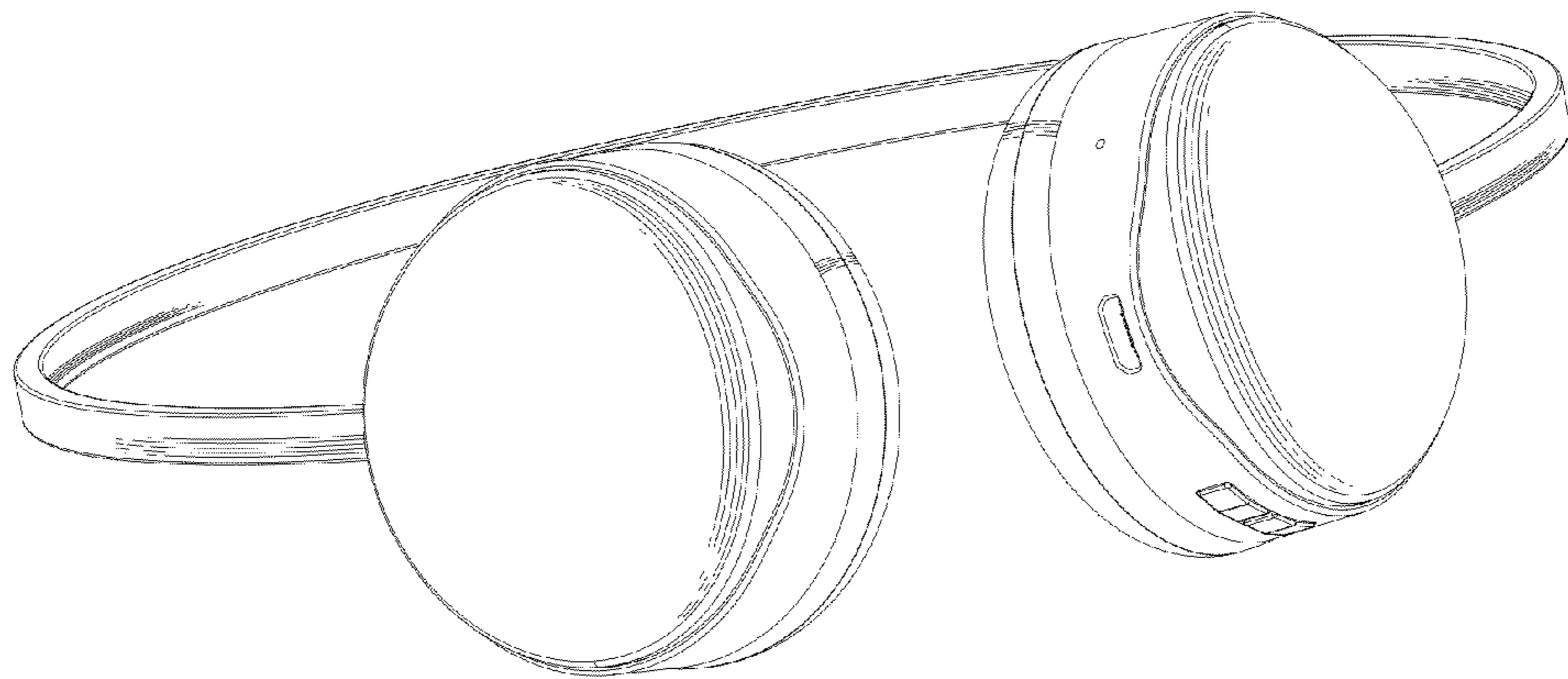


Fig. 10