



US00D720719S

(12) **United States Design Patent**
Huang

(10) **Patent No.:** **US D720,719 S**
(45) **Date of Patent:** **** Jan. 6, 2015**

(54) **EARPHONE DECORATIVE COVER**

(71) Applicant: **New Nobel Limited**, Apia (WS)

(72) Inventor: **Yu-Chun Huang**, Taoyuan County (TW)

(73) Assignee: **New Nobel Limited**, Apia (WS)

(**) Term: **14 Years**

(21) Appl. No.: **29/470,683**

(22) Filed: **Oct. 24, 2013**

(30) **Foreign Application Priority Data**

Aug. 14, 2013 (TW) 102305525

(51) **LOC (10) Cl.** **14-01**

(52) **U.S. Cl.**
USPC **D14/205**

(58) **Field of Classification Search**
CPC H04R 1/1066
USPC D14/205, 206; D29/112; 2/209, 423,
2/424; 181/129, 130, 135; 379/430, 431;
381/370, 371, 374, 378, 380, 381
See application file for complete search history.

(56) **References Cited**

U.S. PATENT DOCUMENTS

2,933,086	A *	4/1960	Gray	128/866
D246,259	S *	11/1977	Nishimura et al.	D14/205
4,133,053	A *	1/1979	Lundin	2/209
D254,183	S *	2/1980	Doodson	D14/205
D262,019	S *	11/1981	Upshaw	D14/205
D270,634	S *	9/1983	Ungar	D14/205
D306,164	S *	2/1990	Johnson et al.	D14/154
D337,115	S *	7/1993	Yamazaki et al.	D14/205

5,970,160	A *	10/1999	Nilsson et al.	381/371
D457,512	S *	5/2002	Yoneda	D14/205
6,434,250	B1 *	8/2002	Tsuhako	381/374
D563,382	S *	3/2008	Wikel	D14/205
7,580,539	B2 *	8/2009	Tachikawa	381/374
D658,158	S *	4/2012	Suzuki	D14/205
D660,824	S *	5/2012	Hardi et al.	D14/205
D661,685	S *	6/2012	Lee et al.	D14/205
D686,190	S *	7/2013	Karacal et al.	D14/205
D698,747	S *	2/2014	Lee et al.	D14/205
D699,213	S *	2/2014	Burgett et al.	D14/205
D704,161	S *	5/2014	Morimoto et al.	D14/205
D705,750	S *	5/2014	Wu et al.	D14/205
2004/0125976	A1 *	7/2004	Reneker	381/372
2005/0220318	A1 *	10/2005	Han	381/371
2013/0223669	A1 *	8/2013	Chen	381/370

* cited by examiner

Primary Examiner — Paula Greene

(74) *Attorney, Agent, or Firm* — McClure, Qualey & Rodack, LLP

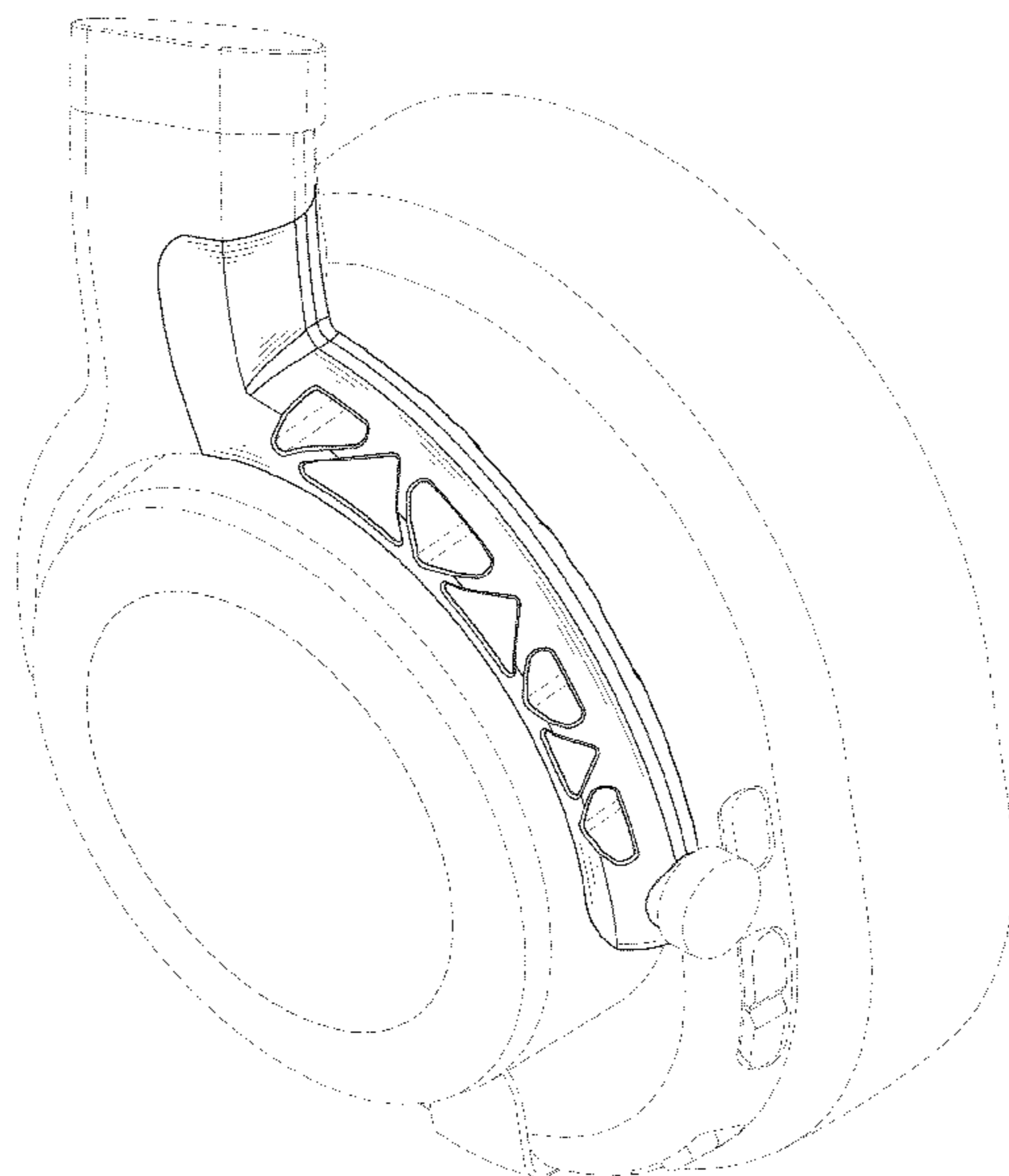
(57) **CLAIM**

The ornamental design for earphone decorative cover, as shown and described.

DESCRIPTION

FIG. 1 is a three-dimensional diagram of an earphone decorative cover showing my new design;
FIG. 2 is a front elevational view thereof;
FIG. 3 is a right side elevational view thereof;
FIG. 4 is a top plane view thereof;
FIG. 5 is a bottom plane view thereof;
FIG. 6 is the other side of perspective view thereof; and,
FIG. 7 is a reference view of using status thereof.
The broken lines form no part of the claimed design.

1 Claim, 7 Drawing Sheets



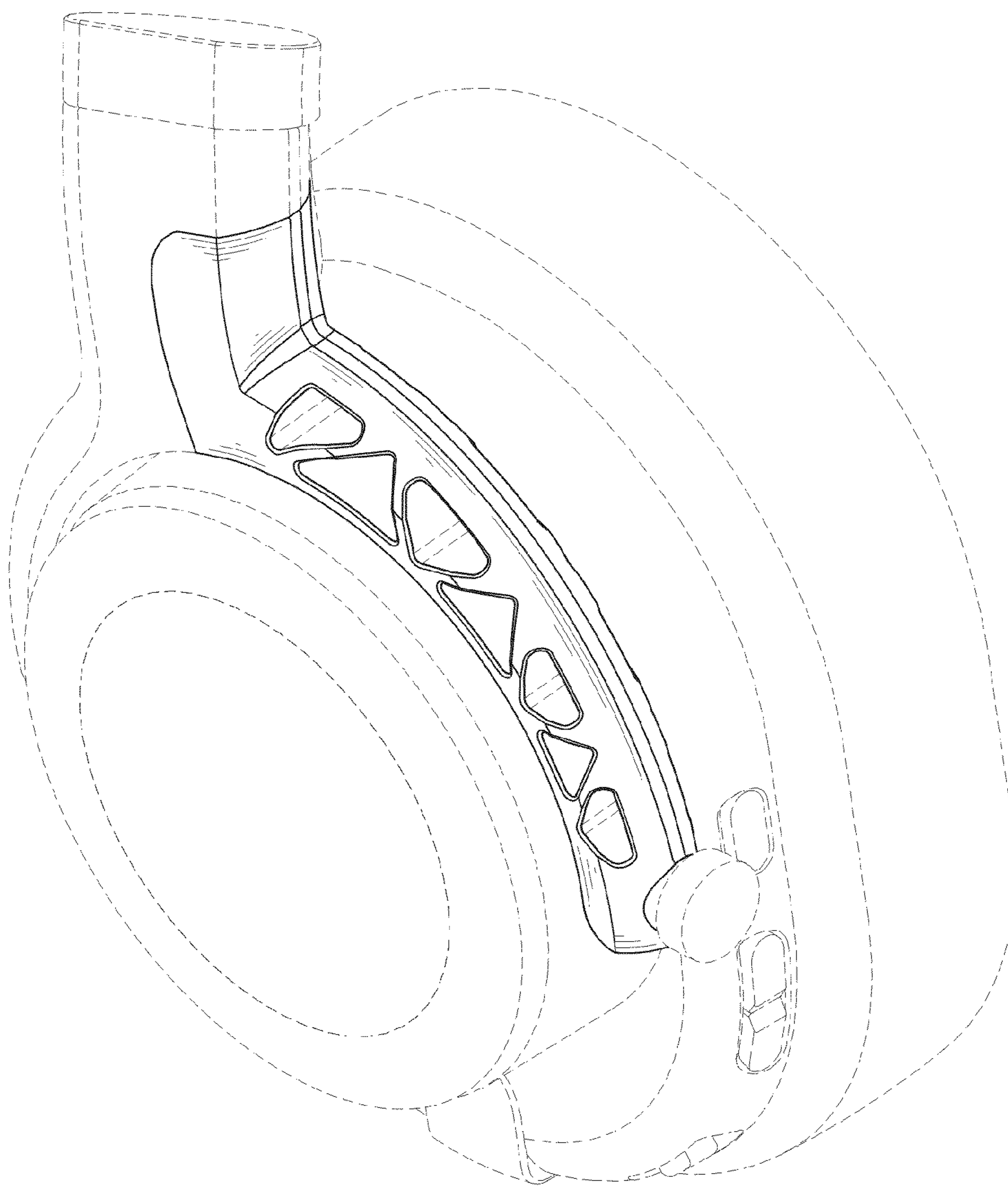


FIG. 1

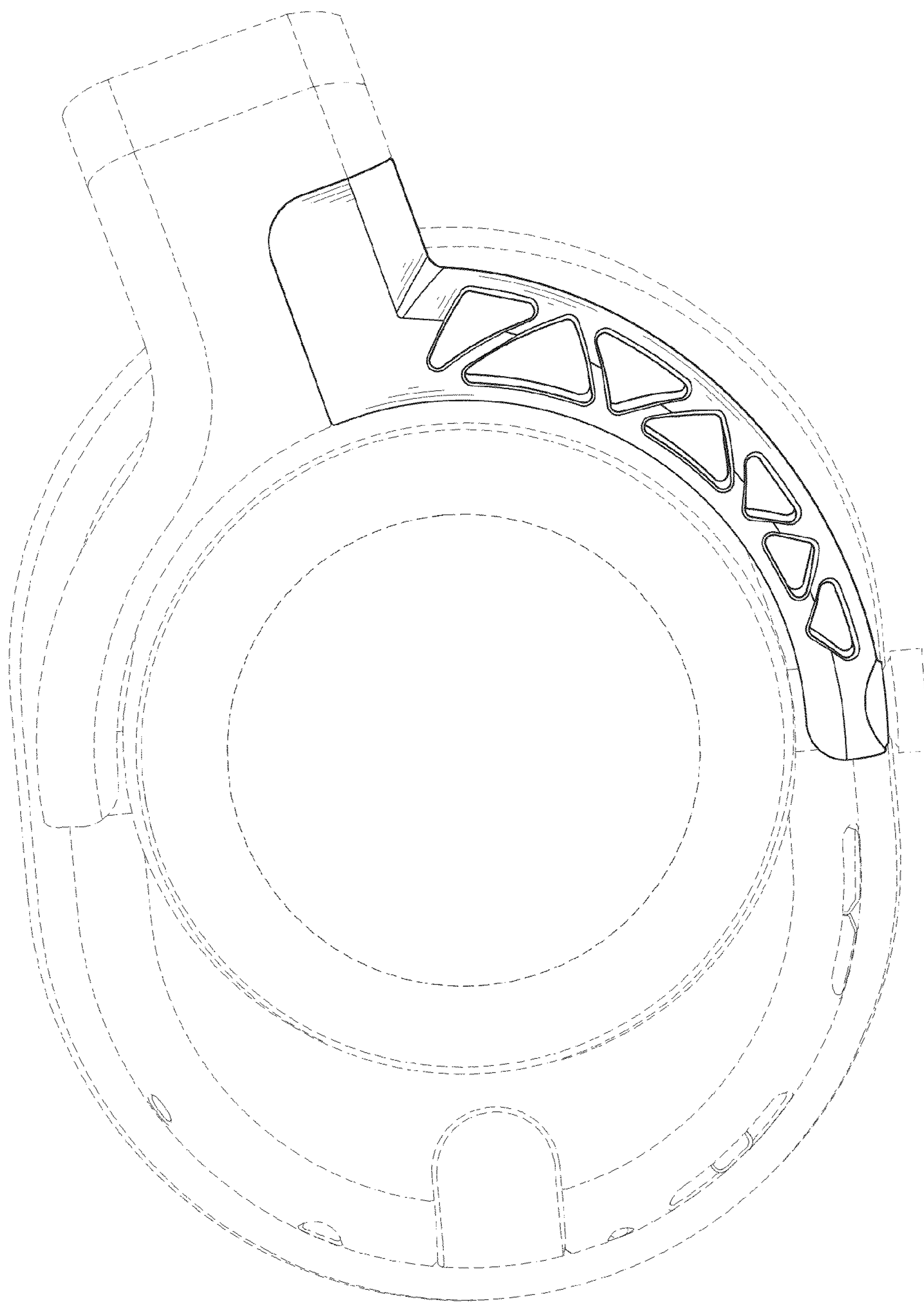


FIG. 2

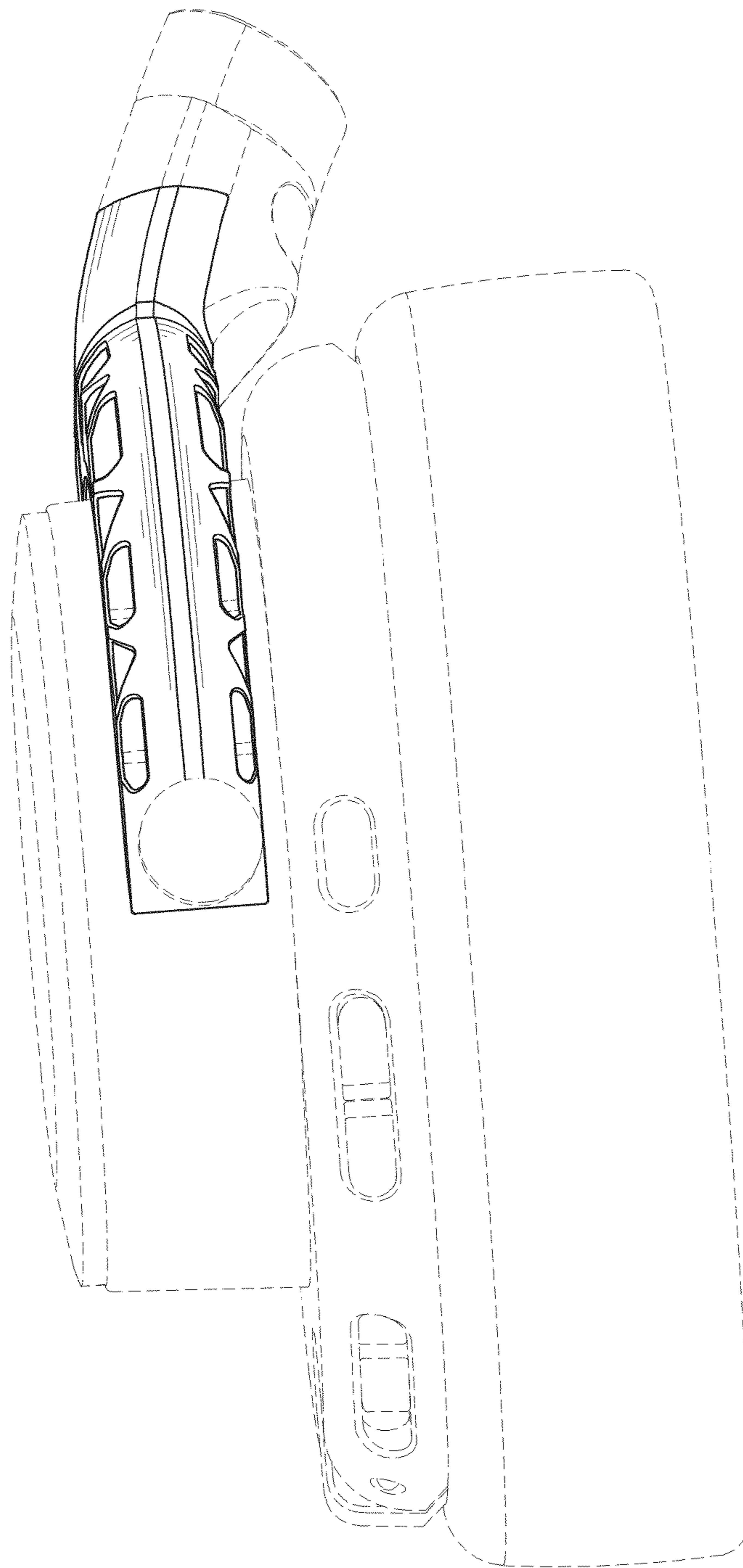


FIG. 3

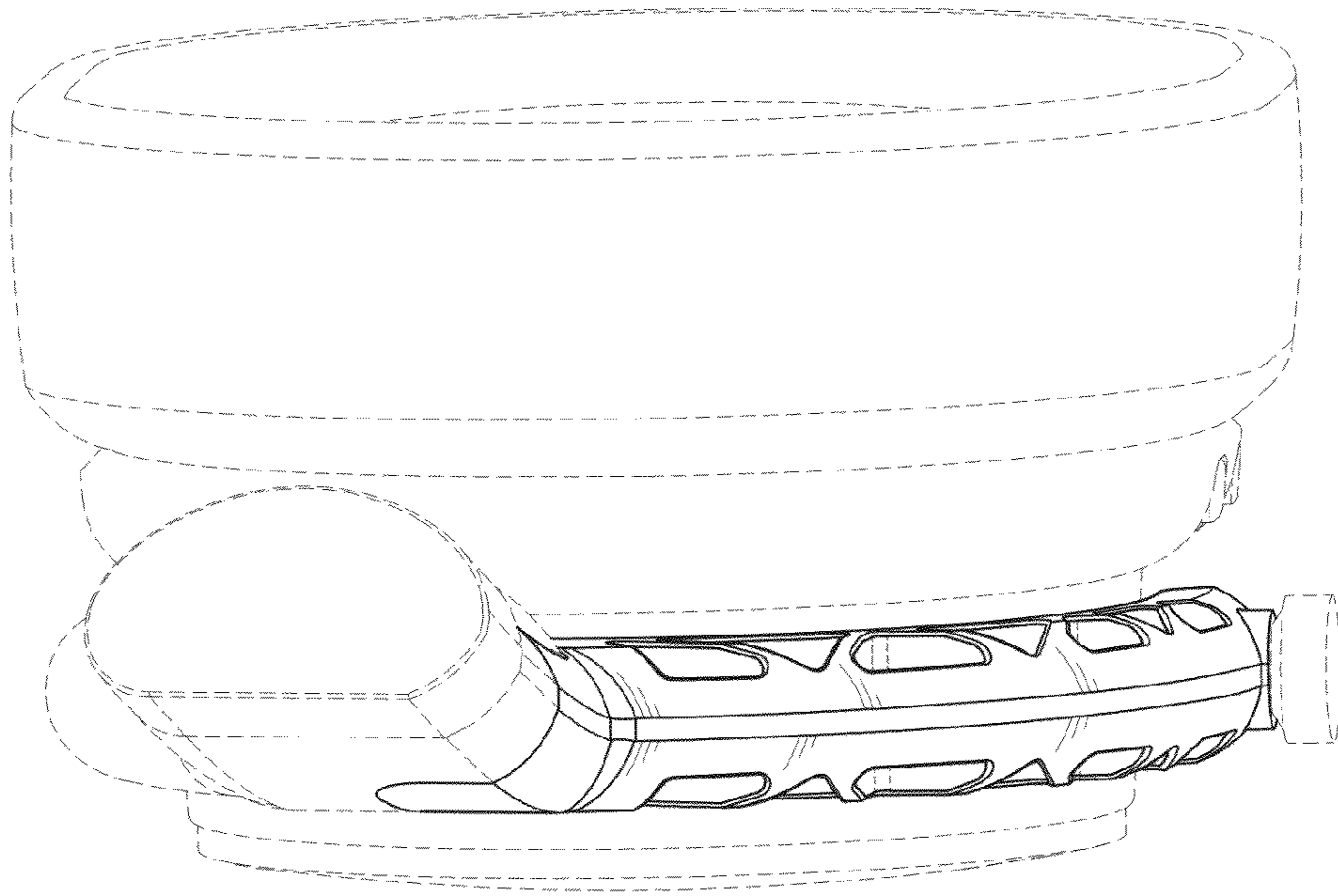


FIG. 4

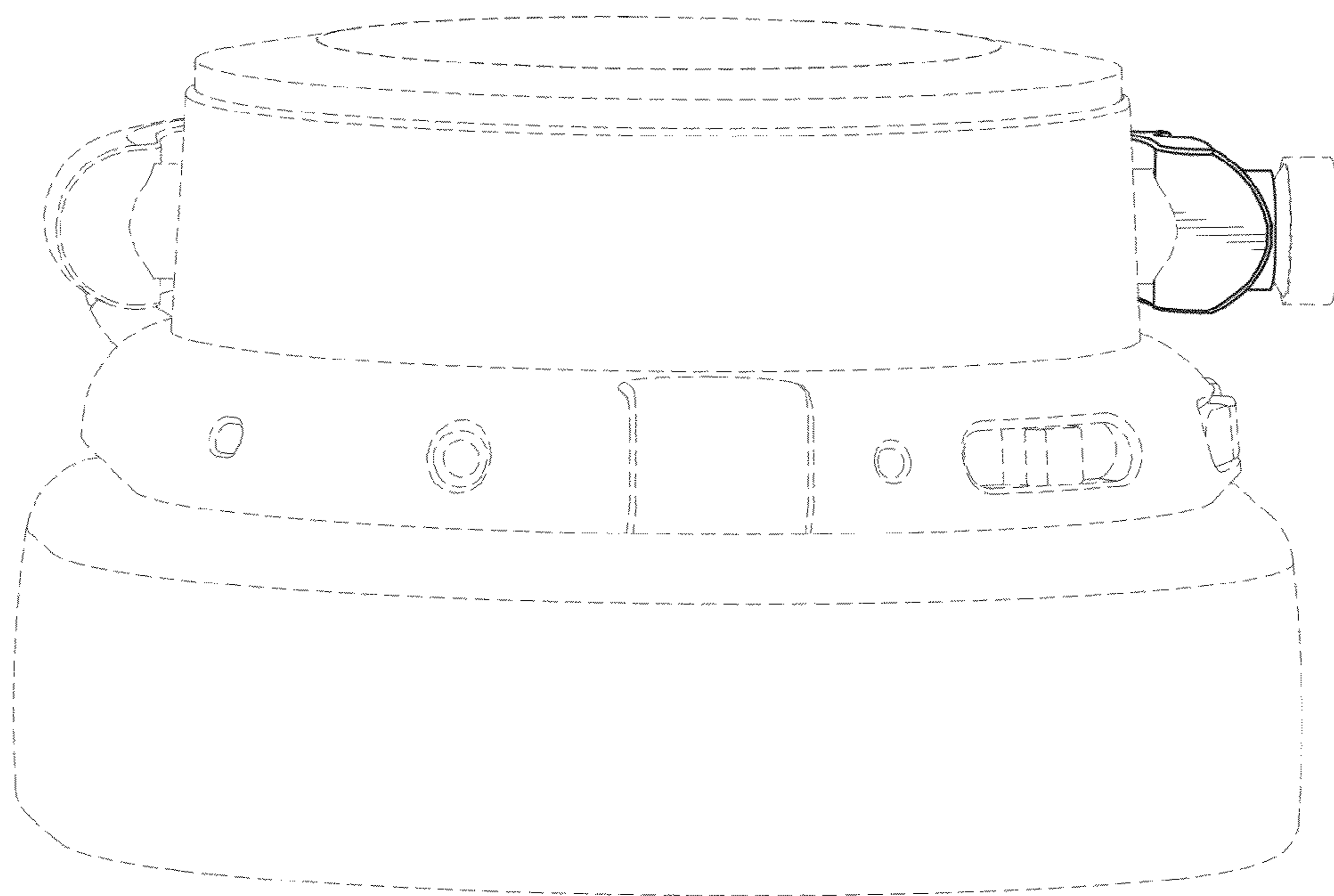


FIG. 5

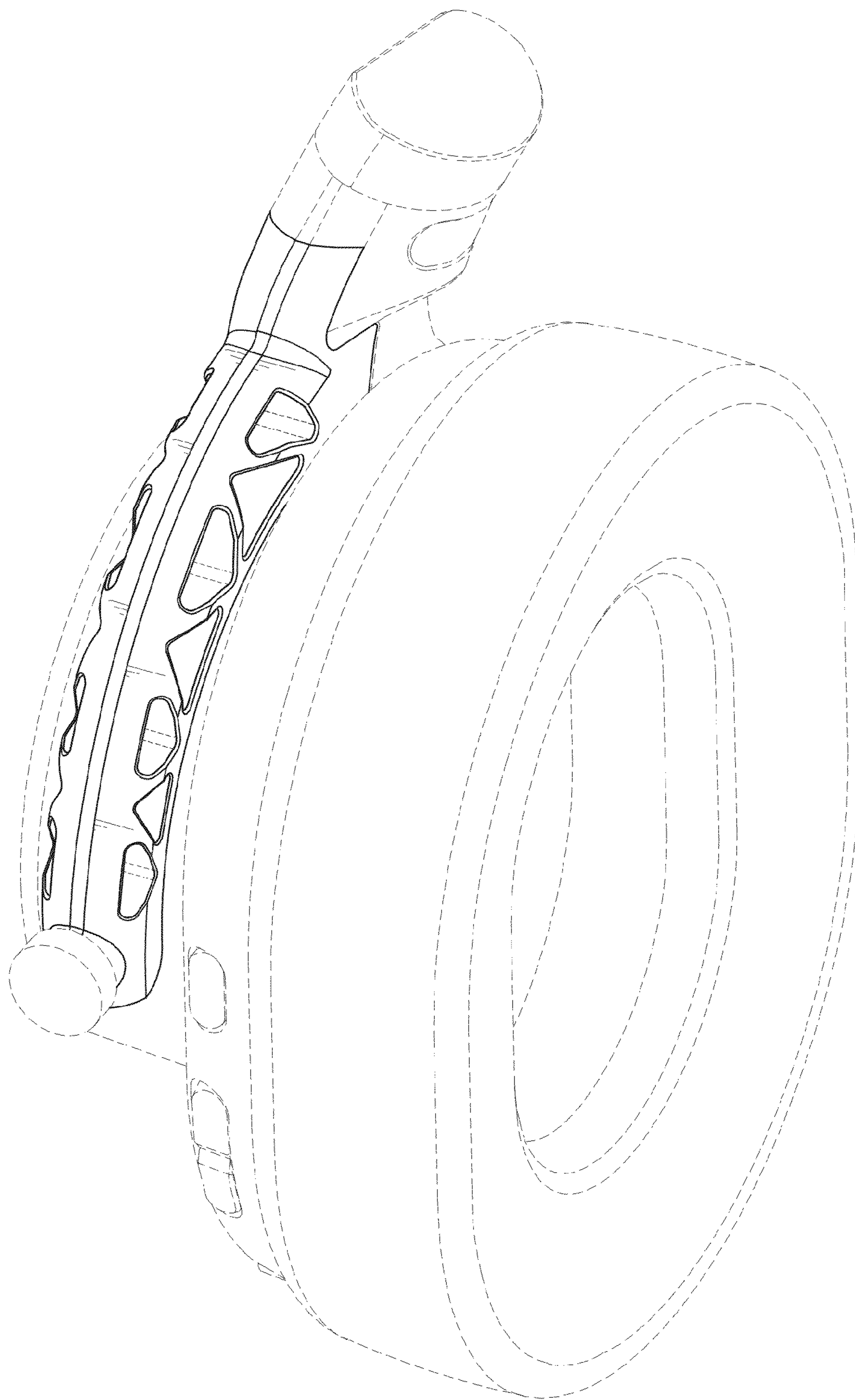


FIG. 6

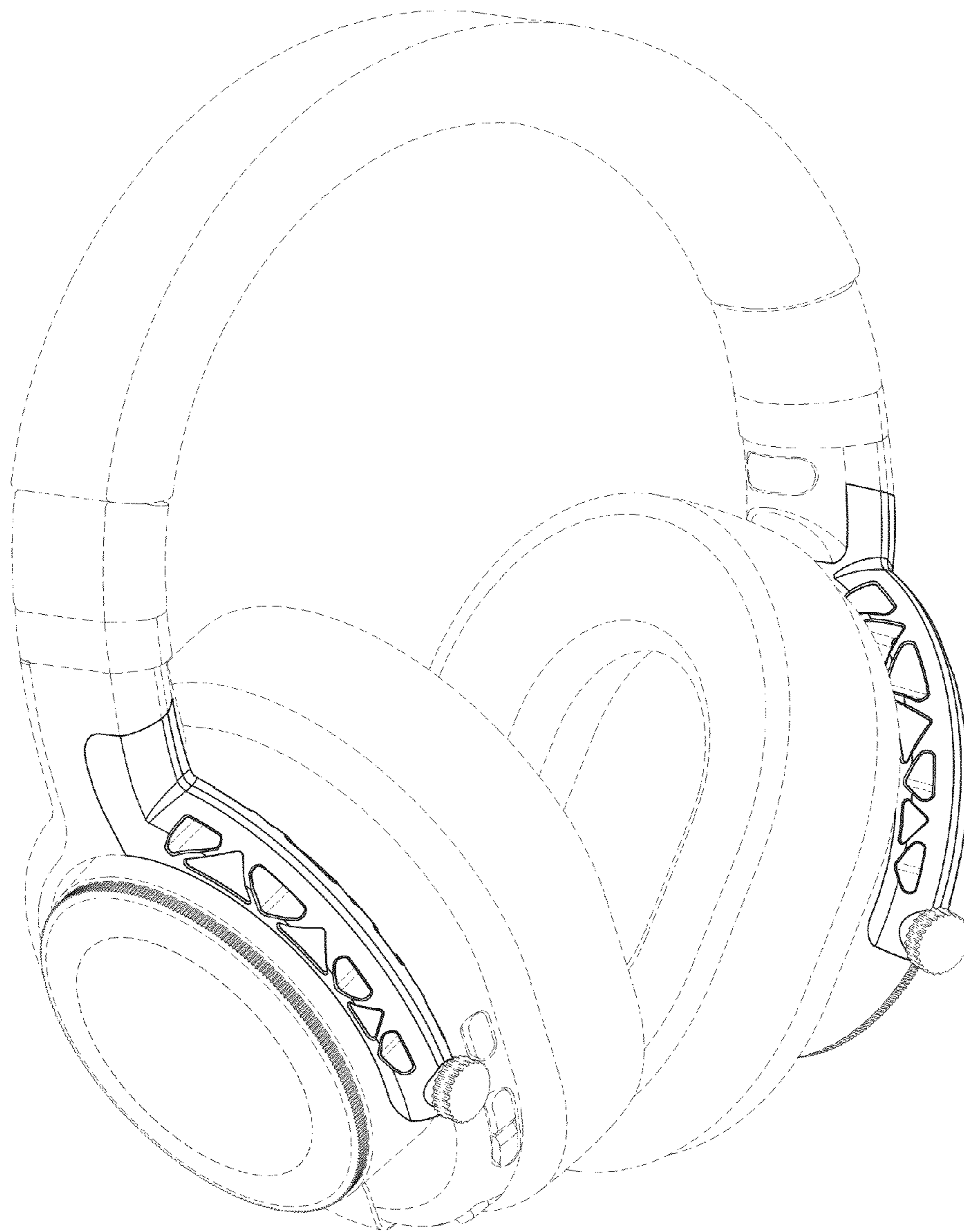


FIG. 7