



US00D720718S

(12) **United States Design Patent**
Stevinson

(10) **Patent No.:** **US D720,718 S**
(45) **Date of Patent:** **** Jan. 6, 2015**

(54) **EARPHONE CADDY**

(71) Applicant: **Dean Stevenson**, Centennial, CO (US)

(72) Inventor: **Dean Stevenson**, Centennial, CO (US)

(**) Term: **14 Years**

(21) Appl. No.: **29/445,401**

(22) Filed: **Feb. 11, 2013**

(51) **LOC (10) Cl.** **14-01**

(52) **U.S. Cl.**
USPC **D14/205**; D3/201; D14/251

(58) **Field of Classification Search**
CPC H04R 1/1033; H04R 1/10; H04B 1/3888;
H04M 1/04; H04M 1/6058; A45C 11/00;
A45C 14/001
USPC D14/144, 204, 240, 243, 252, 251;
D9/721; D3/201, 218; 206/45.24, 216,
206/314, 320, 457, 701; 455/569.1, 575.1;
381/74

See application file for complete search history.

(56) **References Cited**

U.S. PATENT DOCUMENTS

363,495	A	5/1887	Wilson, Jr.	
1,426,537	A	8/1922	Bauer	
2,287,368	A	6/1942	Anderson	
2,396,906	A	3/1946	Windson	
2,981,990	A	5/1961	Balderree, Jr.	
3,353,232	A	11/1967	Brownson	
3,465,391	A	9/1969	Armstrong	
D221,511	S *	8/1971	Dufault	D8/358
3,736,925	A *	6/1973	Erman	606/204.35
3,785,080	A	1/1974	Wallace	
3,953,911	A	5/1976	Fishack	
4,270,247	A	6/1981	Freedom	
4,680,886	A	7/1987	Caselli, Sr.	
6,633,770	B1 *	10/2003	Gitzinger et al.	455/575.1

D502,388	S	3/2005	Cortez et al.	
D508,605	S *	8/2005	Hwang et al.	D3/218
D514,923	S *	2/2006	Brown	D8/354
7,086,512	B2 *	8/2006	Shack et al.	191/12.4
D556,020	S *	11/2007	Whitney	D8/356
D565,290	S *	4/2008	Brandenburg et al.	D3/218
D576,867	S *	9/2008	Kretz	D8/356
7,500,644	B2	3/2009	Naudet et al.	
D603,376	S	11/2009	Blasko	
D604,501	S *	11/2009	Lee	D3/201
7,669,829	B2 *	3/2010	Ogatsu	248/682
D620,781	S	8/2010	Weckworth	
D626,129	S	10/2010	Lutz	
D667,910	S *	9/2012	Behr	D21/803
D676,021	S *	2/2013	Stevinson	D14/205

(Continued)

OTHER PUBLICATIONS

U.S. Appl. No. 13/764,666 Notice of Allowance mailed May 16, 2014, 10 pages.

Primary Examiner — Susan Bennett Hattan

Assistant Examiner — Marie Fast Horse

(74) *Attorney, Agent, or Firm* — Lathrop & Gage LLP

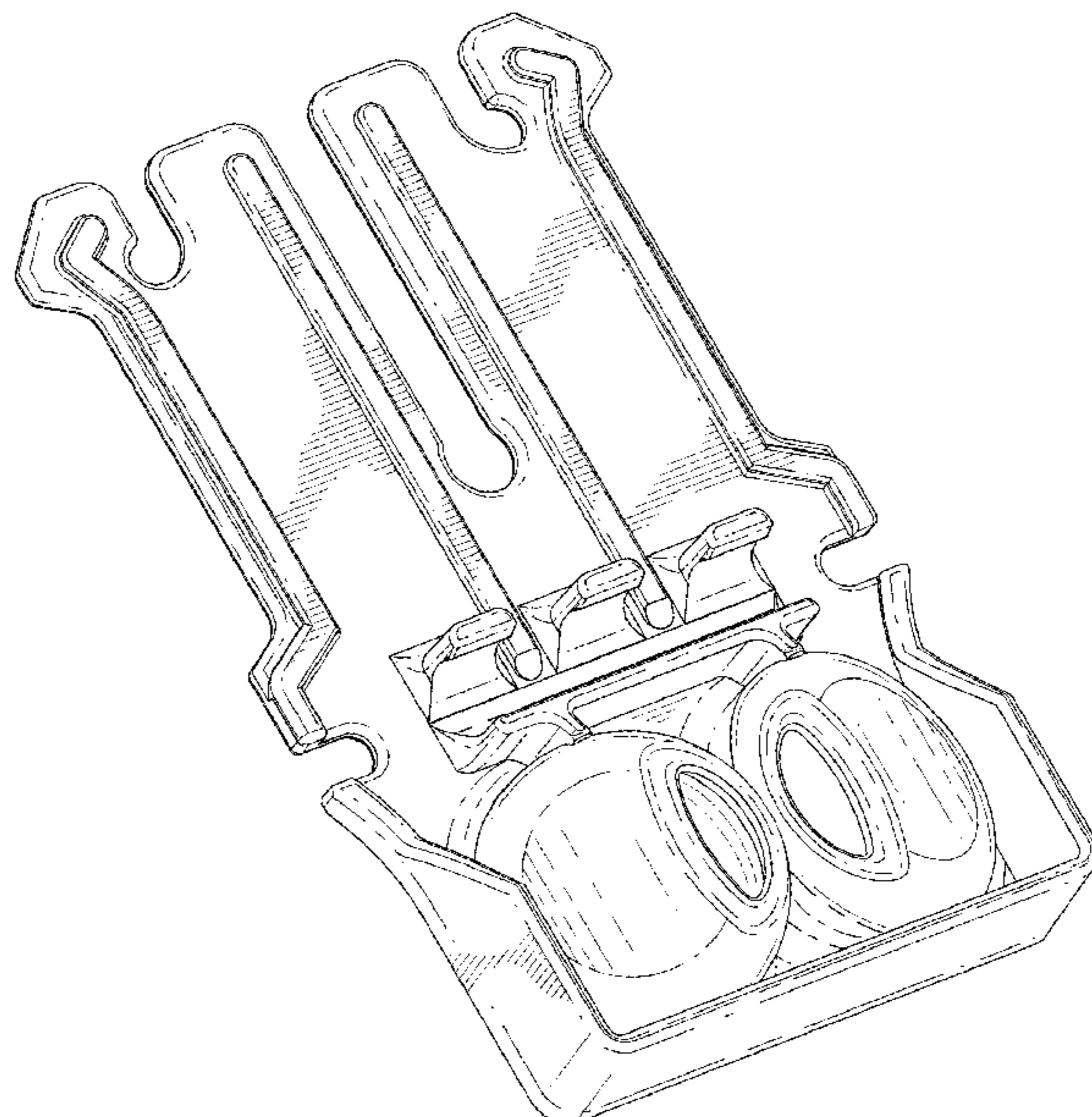
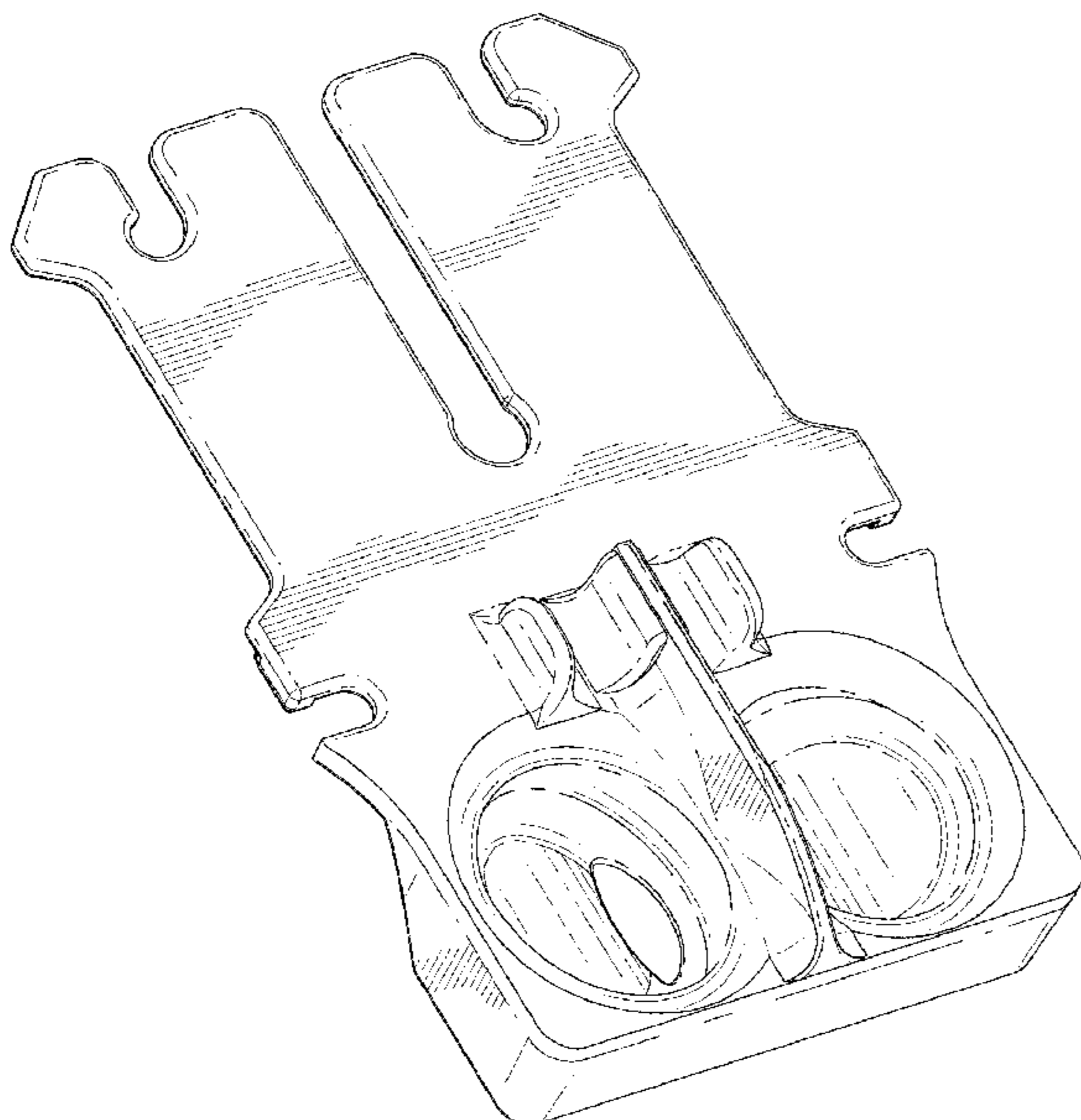
(57) **CLAIM**

The ornamental design for an earphone caddy, as shown and described.

DESCRIPTION

FIG. 1 is a frontside perspective view of the earphone caddy; FIG. 2 is a backside perspective view of the earphone caddy; FIG. 3 is a top plan view of the earphone caddy; FIG. 4 is a bottom plan view of the earphone caddy; FIG. 5 is a left side elevation of the earphone caddy, a right side elevation being a mirror image thereof; FIG. 6 is a front elevation of the earphone caddy; and, FIG. 7 is a rear elevation of the earphone caddy.

1 Claim, 5 Drawing Sheets



(56)

References Cited

U.S. PATENT DOCUMENTS

D676,022 S * 2/2013 Stevinson D14/205
D676,416 S * 2/2013 Stevinson D14/205
D689,303 S * 9/2013 Davison D6/580
D691,581 S * 10/2013 Mercs et al. D14/205

2008/0090626 A1* 4/2008 Griffin et al. 455/575.1
2008/0242376 A1* 10/2008 Lin et al. 455/575.1
2013/0140195 A1* 6/2013 Law et al. 206/45.24
2013/0237290 A1* 9/2013 Simmons et al. 455/569.1
2014/0079237 A1* 3/2014 Cataldo et al. 381/74
2014/0105441 A1* 4/2014 Kroupa 381/370

* cited by examiner

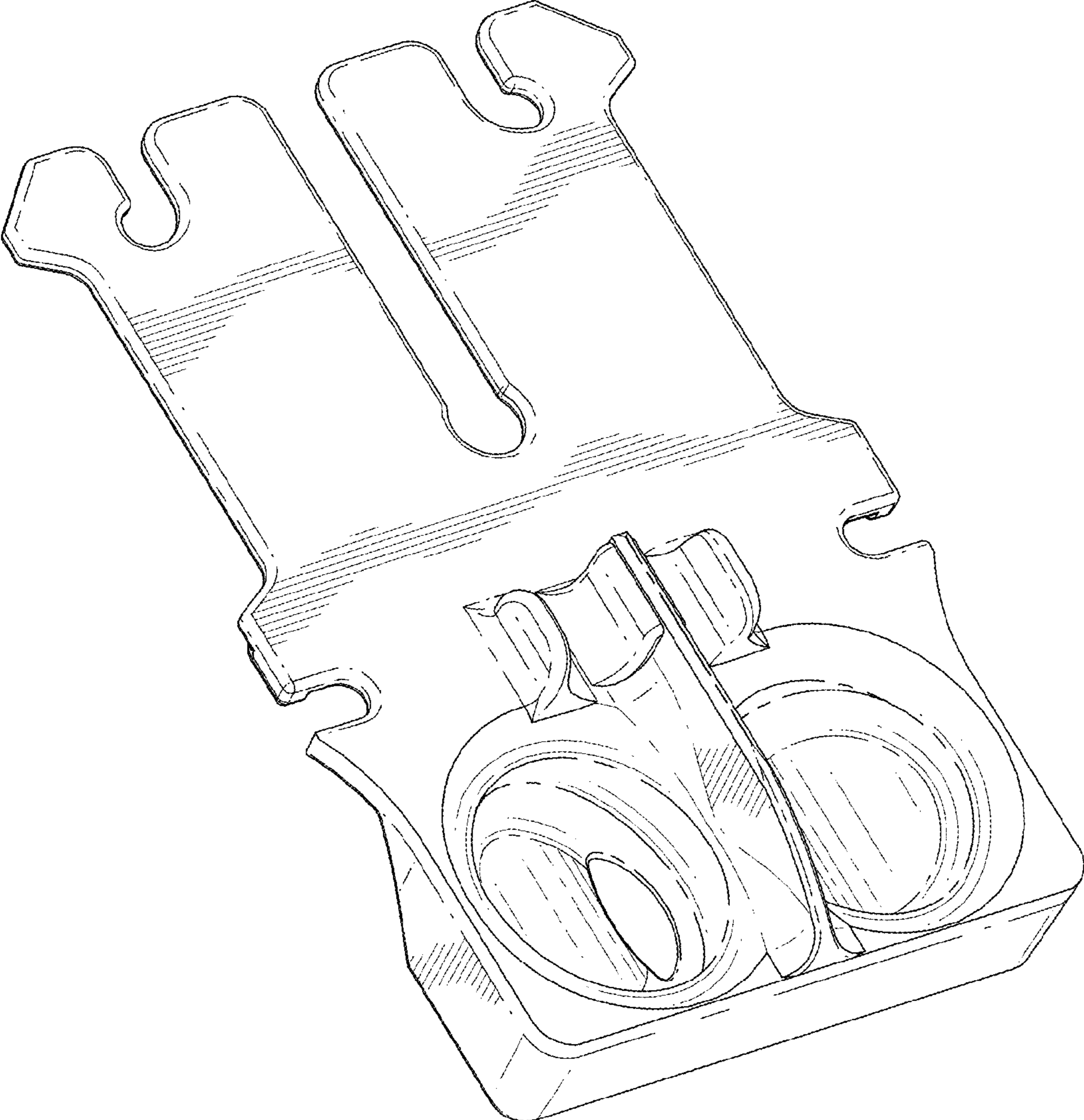


FIG. 1

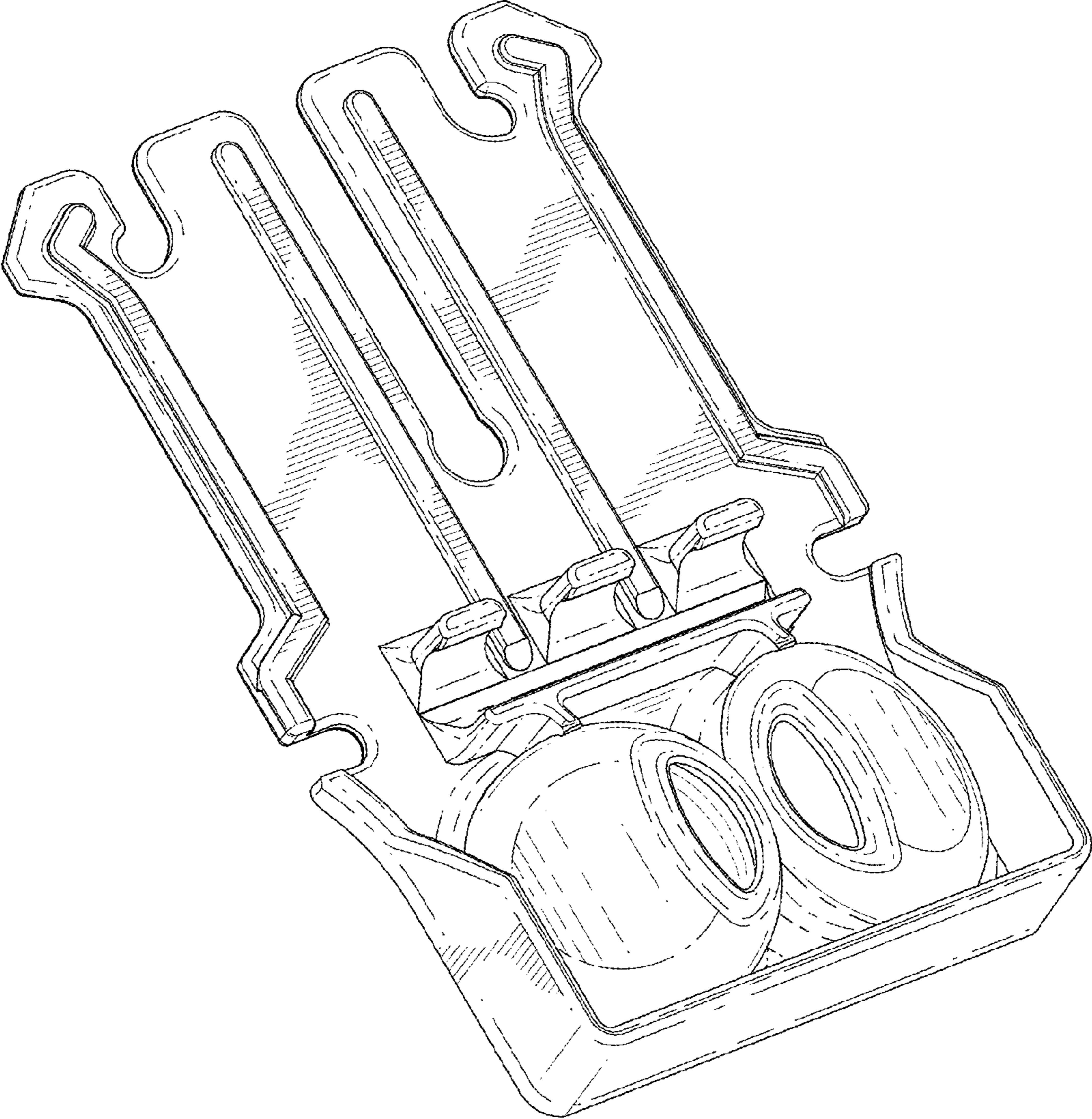


FIG. 2

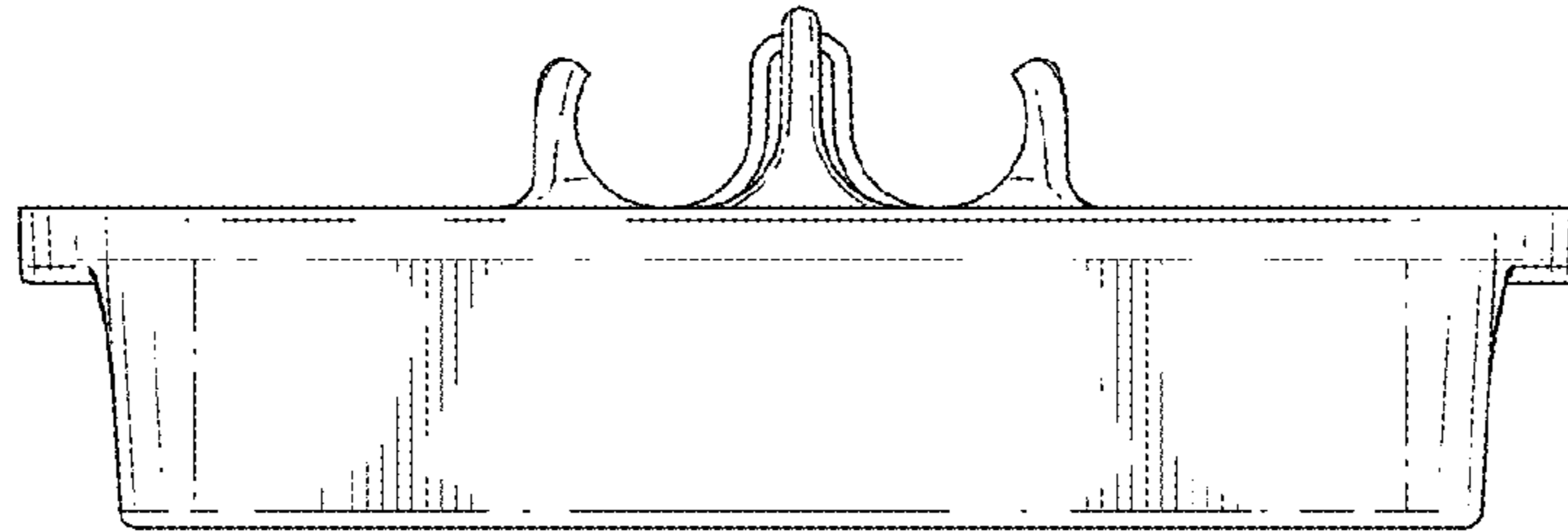


FIG. 3

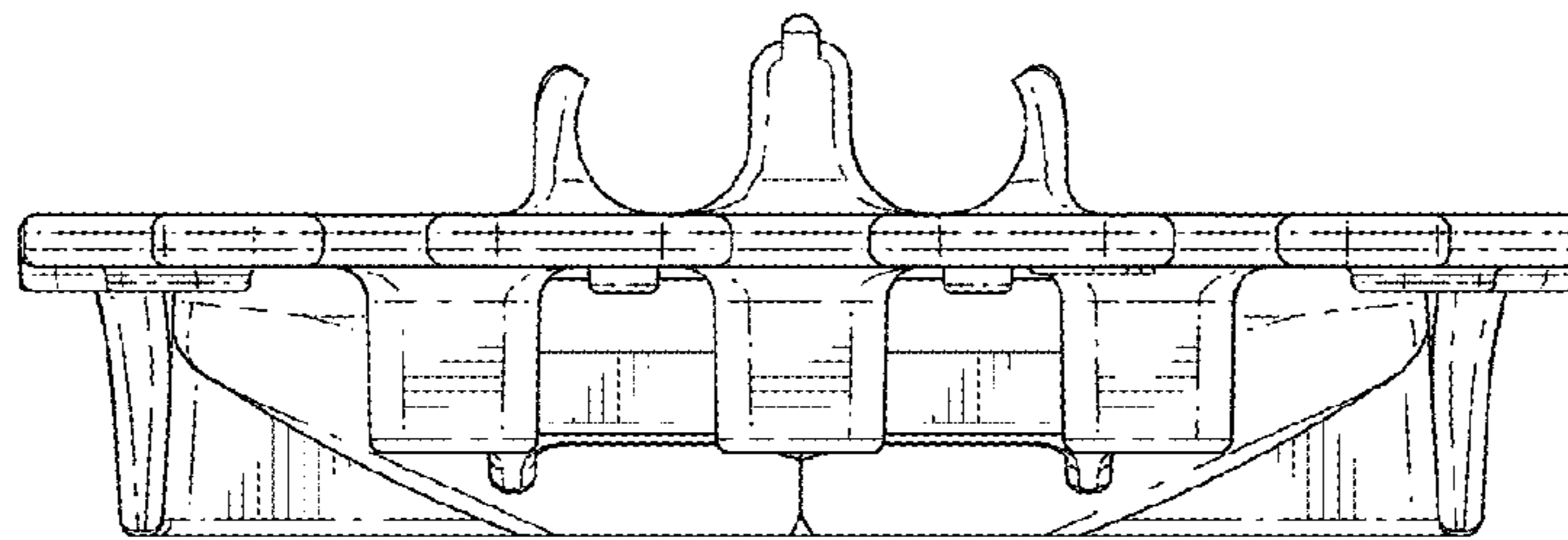


FIG. 4

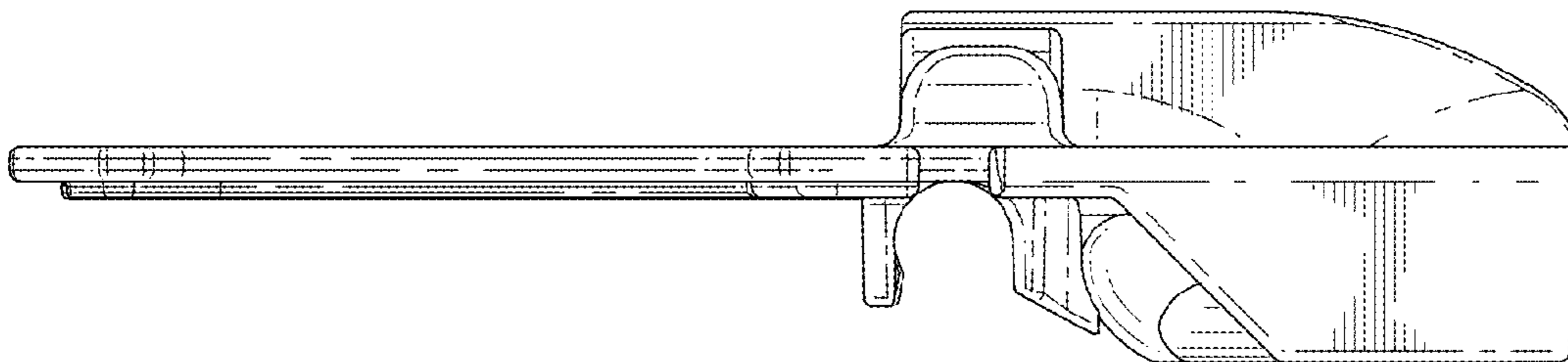


FIG. 5

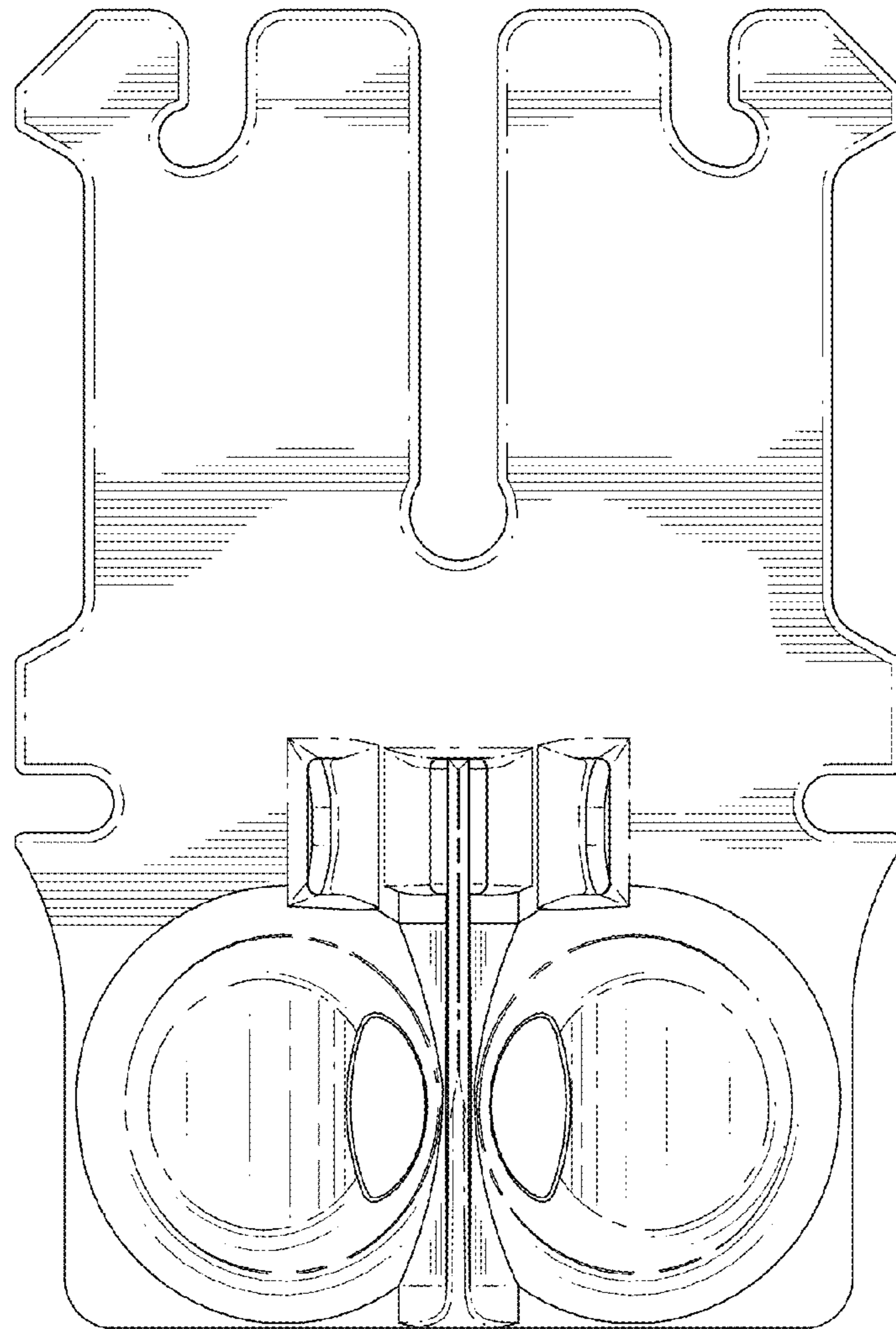


FIG. 6

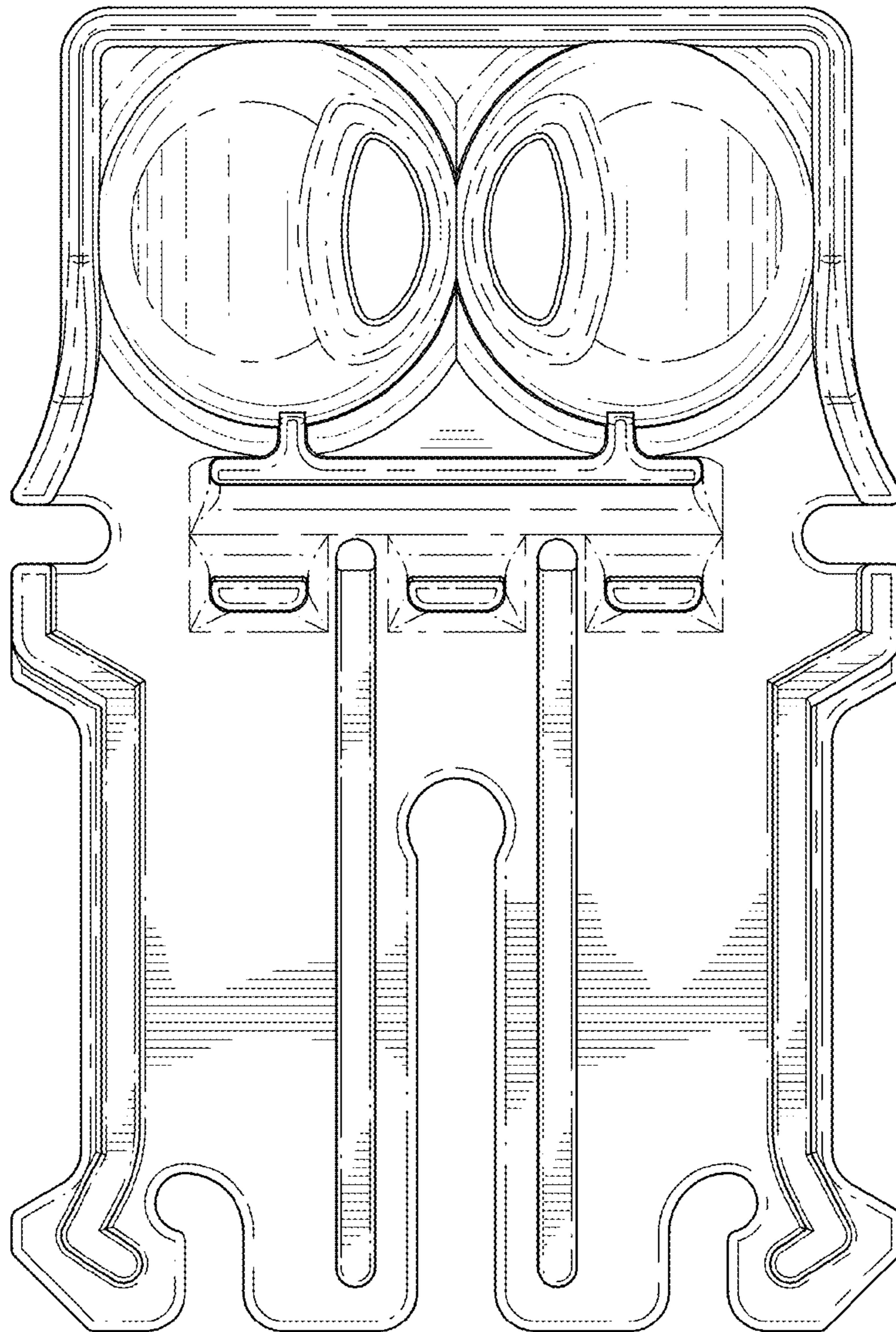


FIG. 7