



US00D720713S

(12) **United States Design Patent**
Huang et al.

(10) **Patent No.:** **US D720,713 S**
(45) **Date of Patent:** **** Jan. 6, 2015**

(54) **MOBILE PHONE**

(71) Applicant: **ZTE Corporation**, Shenzhen,
Guangdong (CN)

(72) Inventors: **Leqing Huang**, Shenzhen (CN); **Yi Pan**,
Shenzhen (CN); **Kunwei Dong**,
Shenzhen (CN); **Jiawei Gao**, Shenzhen
(CN)

(73) Assignee: **ZTE Corporation**, Shenzhen (CN)

(**) Term: **14 Years**

(21) Appl. No.: **29/452,707**

(22) Filed: **Apr. 19, 2013**

(30) **Foreign Application Priority Data**

Oct. 19, 2012 (CN) 2012 3 0542268

(51) **LOC (10) Cl.** **14-03**

(52) **U.S. Cl.**
USPC **D14/138 G**

(58) **Field of Classification Search**
CPC H04M 1/0202; H04M 1/0235; H04M
1/0237; H04M 1/0239; H04M 2250/52
USPC D14/138 R, 138 AD, 138 AC, 138 C,
D14/138 G, 137, 341–347, 247–248
See application file for complete search history.

(56) **References Cited**

U.S. PATENT DOCUMENTS

D580,390 S * 11/2008 Kim et al. D14/138 AD
D615,083 S * 5/2010 Andre et al. D14/341
D619,555 S * 7/2010 Yang et al. D14/138 G
D648,693 S * 11/2011 Kim et al. D14/138 AD
D653,641 S * 2/2012 Chen D14/138 G
D654,460 S * 2/2012 Kim et al. D14/138 G

D657,331 S * 4/2012 Jung D14/138 G
D671,089 S * 11/2012 Joung et al. D14/138 G
D674,369 S * 1/2013 Jaewoong D14/138 G
D675,180 S * 1/2013 Zhang et al. D14/138 G
D675,586 S * 2/2013 Choi D14/138 G
D675,588 S * 2/2013 Park D14/138 G
D676,819 S * 2/2013 Choi D14/138 G
D681,594 S * 5/2013 Hong D14/138 G
D686,176 S * 7/2013 Kim D14/138 G
D687,400 S * 8/2013 Park et al. D14/138 G
D688,218 S * 8/2013 Lee D14/138 G

(Continued)

OTHER PUBLICATIONS

Samsung Galaxy S II AT&T, announced Aug. 2011, [online],
[retrieved on Sep. 14, 2011]. Retrieved from Internet ,<URL: http://
www.gsmarena.com>.*

(Continued)

Primary Examiner — Bridget L Eland

(74) *Attorney, Agent, or Firm* — Oppedahl Patent Law Firm
LLC

(57) **CLAIM**

The ornamental design for a mobile phone, as shown and
described.

DESCRIPTION

FIG. 1 is a front side elevation view of our new design for a
mobile phone.

FIG. 2 is a left side elevation view of FIG. 1.

FIG. 3 is right side elevation view of FIG. 1.

FIG. 4 is a top side plan view of FIG. 1.

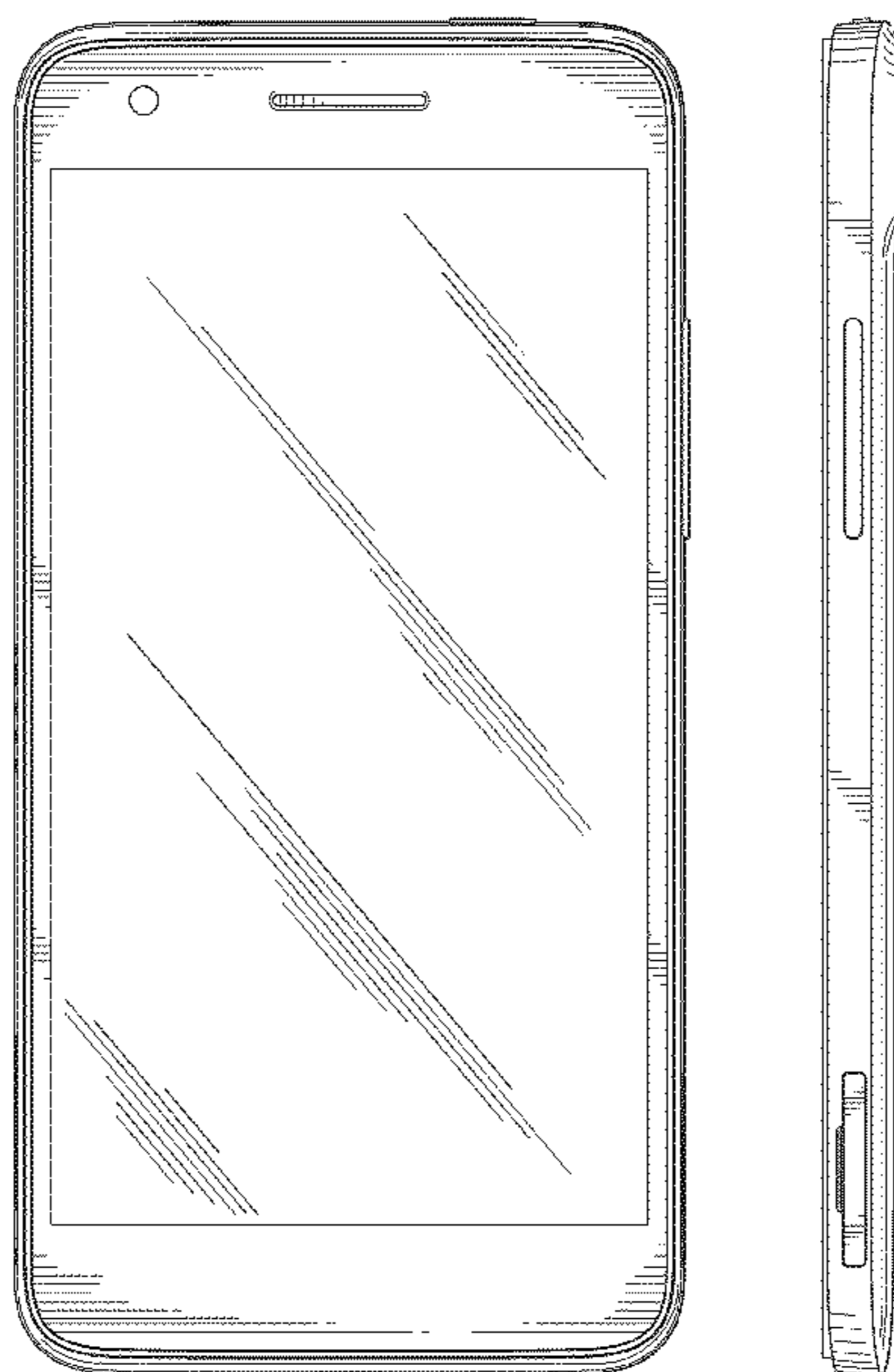
FIG. 5 is a bottom side plan view of FIG. 1.

FIG. 6 back side elevation view of FIG. 1.

FIG. 7 back side perspective view of FIG. 1; and,

FIG. 8 is a front side perspective view of FIG. 1.

1 Claim, 3 Drawing Sheets



(56)

References Cited

U.S. PATENT DOCUMENTS

D689,840 S * 9/2013 Lu D14/138 G
D695,247 S * 12/2013 Kim et al. D14/138 G
D698,767 S * 2/2014 Son D14/248
D702,203 S * 4/2014 Son D14/138 G
D711,341 S * 8/2014 Shin et al. D14/138 G
2008/0259094 A1* 10/2008 Kim et al. 345/651
2009/0111508 A1* 4/2009 Yeh et al. 455/552.1
2011/0070929 A1* 3/2011 Li 455/575.1
2011/0143825 A1* 6/2011 Ahn et al. 455/575.4

OTHER PUBLICATIONS

Samsung i997 Infuse 4G, announced Jan. 2011, [online], [retrieved on Jan. 6, 2011]. Retrieved from Internet ,<URL: <http://www.gsmarena.com>>.*
Samsung Galaxy S II Skyrocket HD, announced Jan. 2012, [online], [retrieved on Feb. 3, 2012]. Retrieved from Internet ,<URL: <http://www.gsmarena.com>>.*
Huawei Honor, announced Sep. 2011, [online], [retrieved on Sep. 27, 2011]. Retrieved from Internet ,<URL: <http://www.gsmarena.com>>.*

* cited by examiner

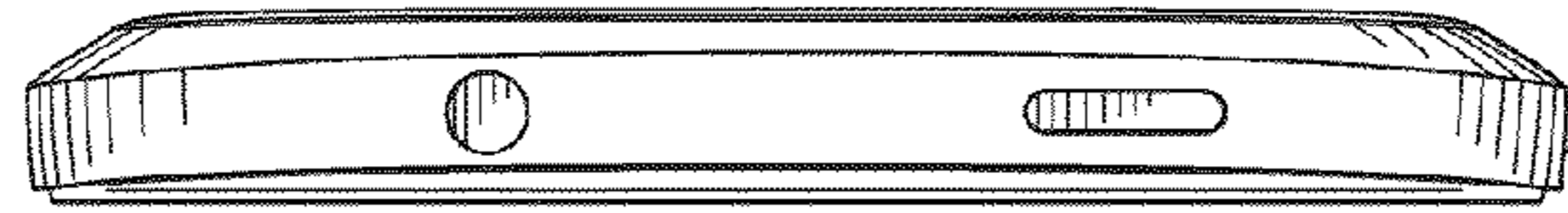


FIG. 4

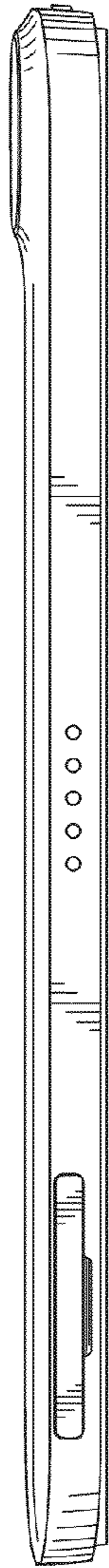


FIG. 2

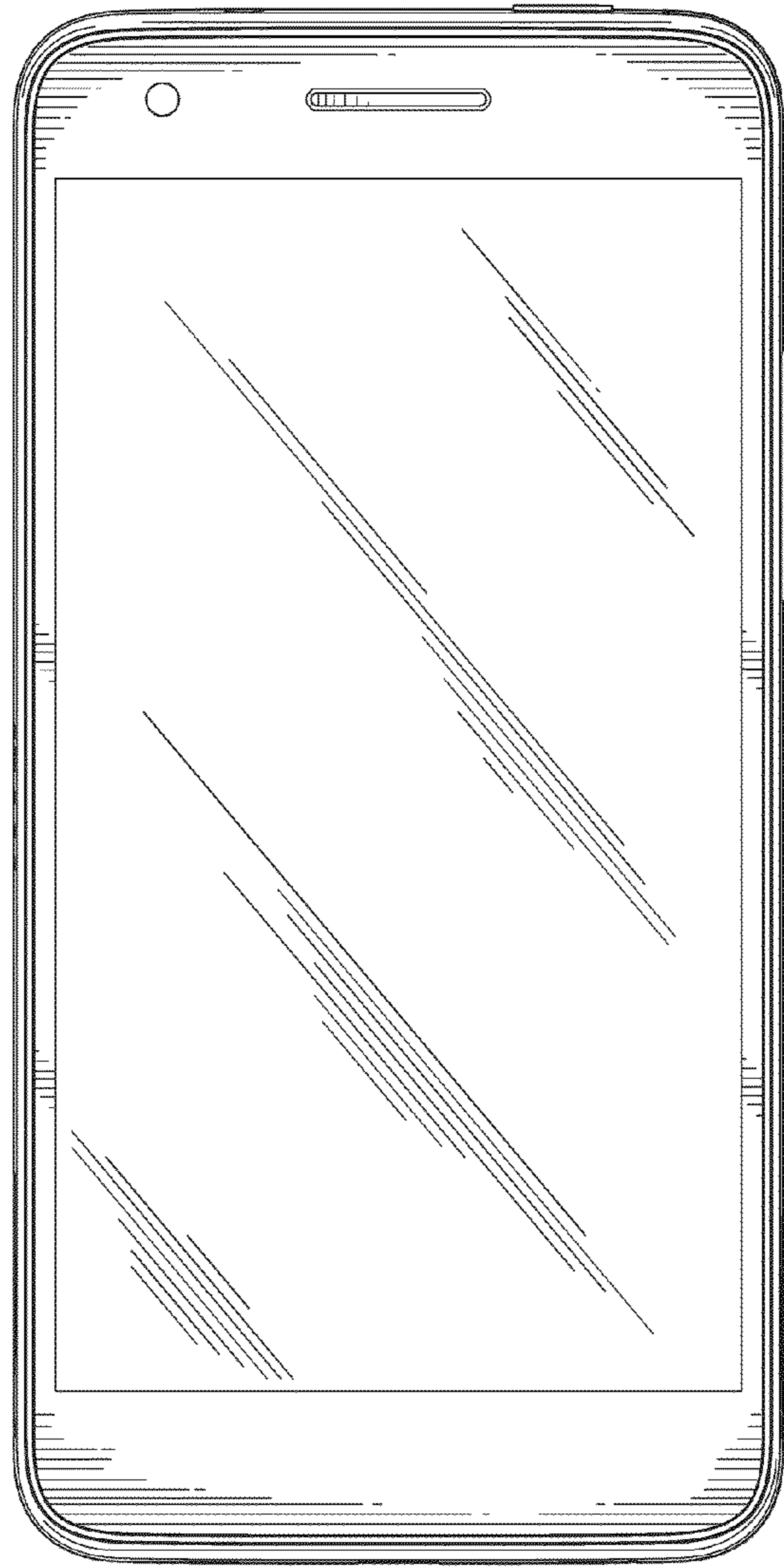


FIG. 1

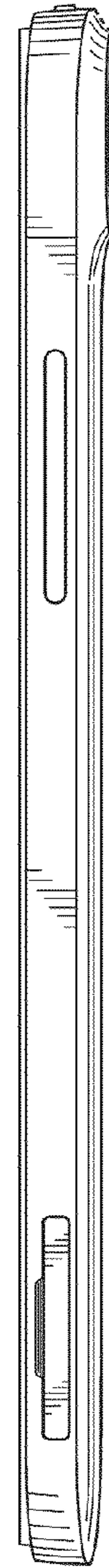


FIG. 3

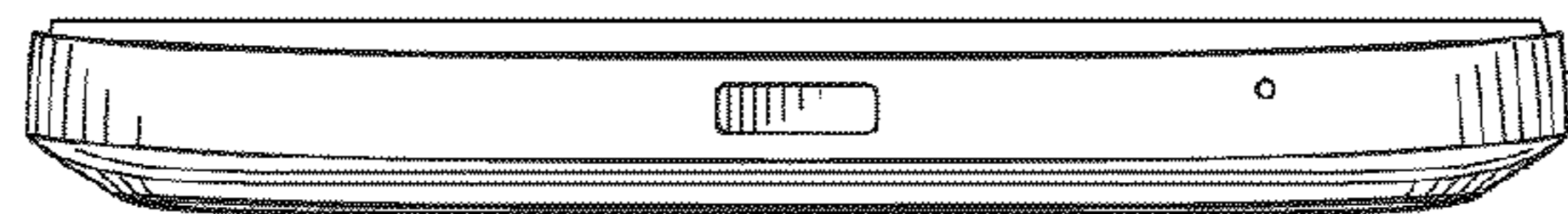


FIG. 5

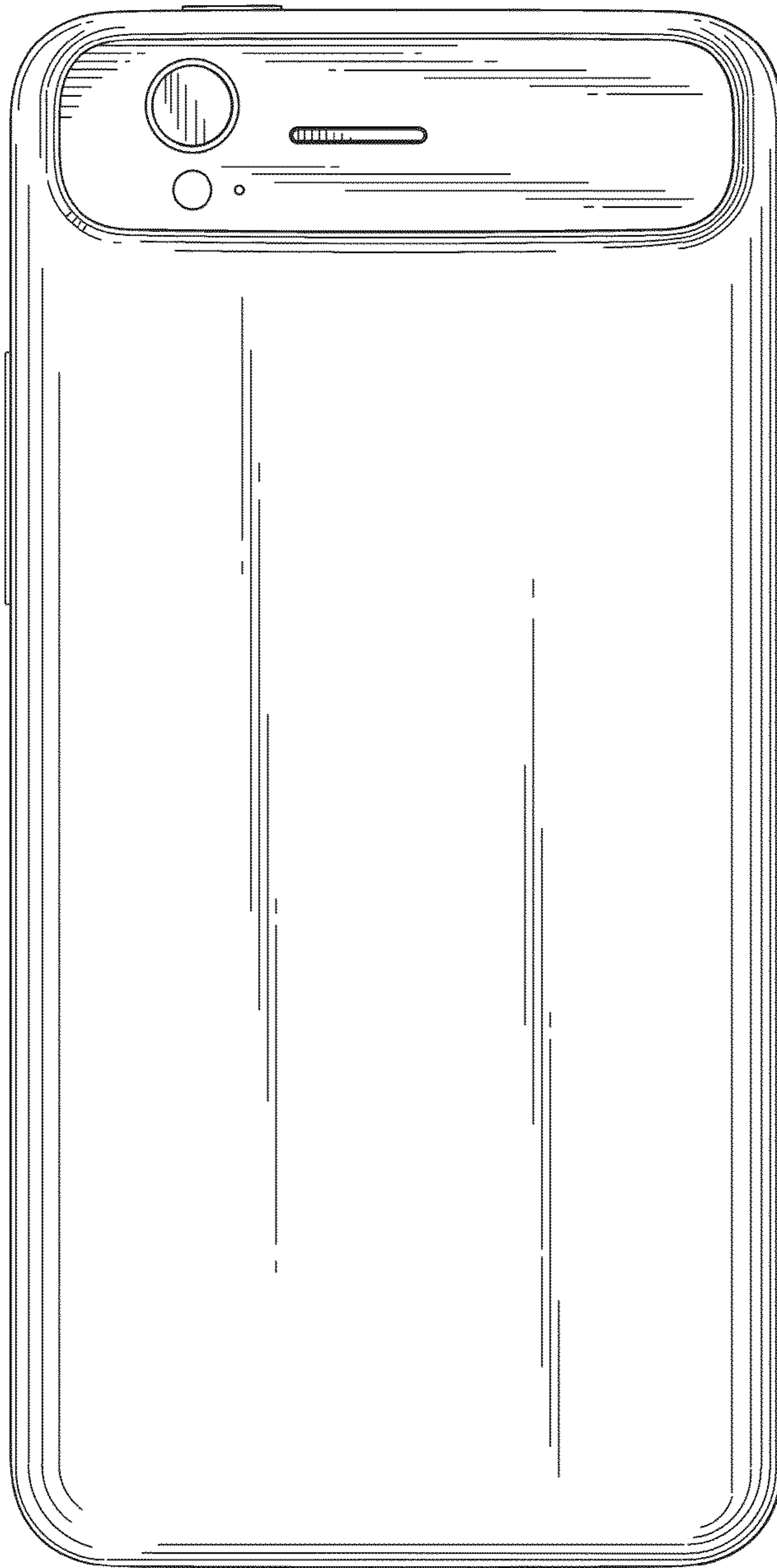


FIG.6

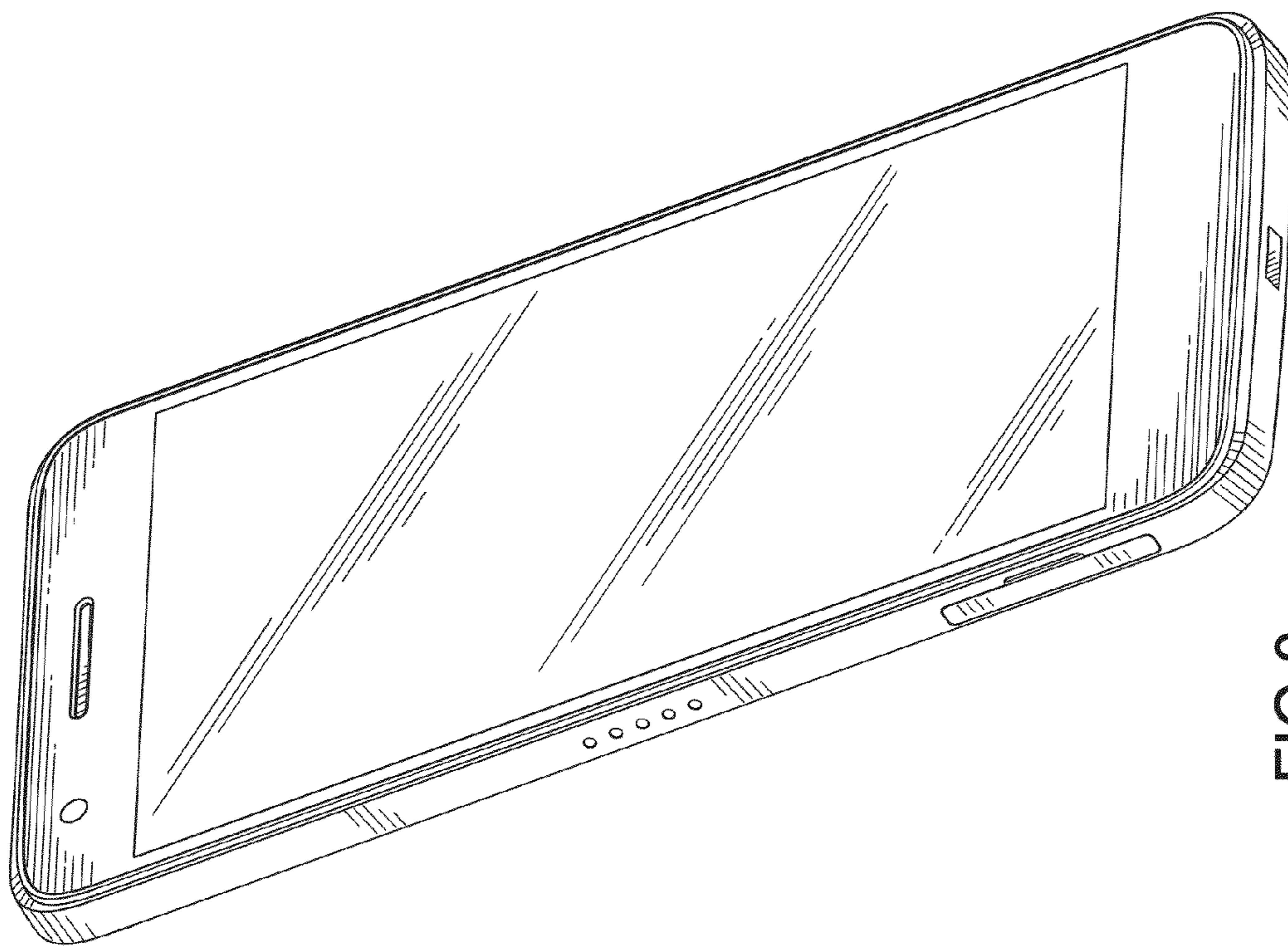


FIG. 8

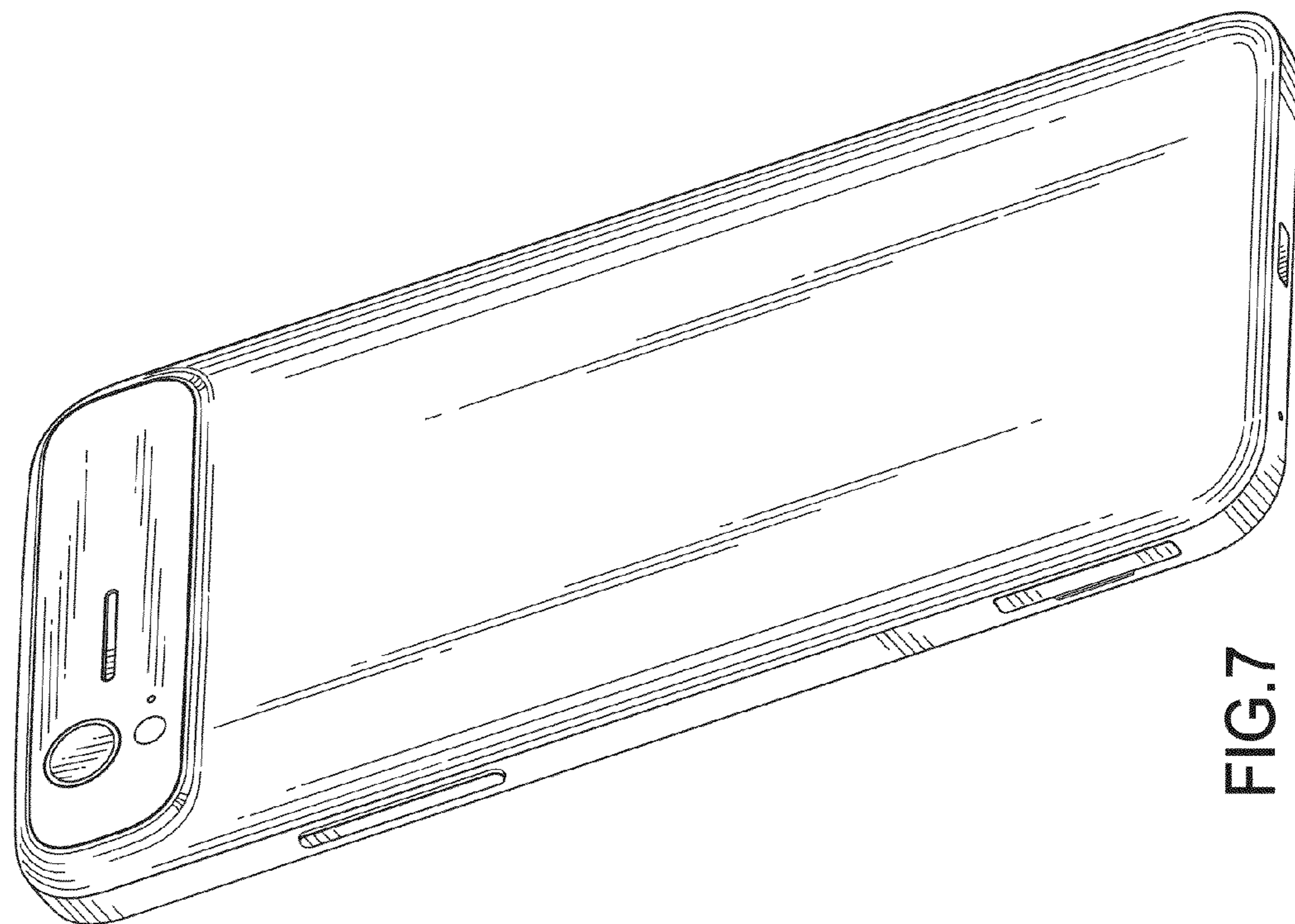


FIG. 7