



US00D720708S

(12) **United States Design Patent**
Park et al.

(10) **Patent No.:** **US D720,708 S**
(45) **Date of Patent:** **** Jan. 6, 2015**

(54) **SET-TOP BOX**
(71) Applicant: **OpenTV, Inc.**, San Francisco, CA (US)
(72) Inventors: **Joonyoung Park**, Mountain View, CA (US); **Jihyun Park**, Mountain view, CA (US); **Kiyoung Lee**, Songnam (KR); **Haejoo Lee**, Songnam (KR)
(73) Assignee: **OpenTV, Inc.**, San Francisco, CA (US)
(**) Term: **14 Years**
(21) Appl. No.: **29/462,089**

(22) Filed: **Jul. 30, 2013**
(51) **LOC (10) Cl.** **14-03**
(52) **U.S. Cl.**
USPC **D14/125**
(58) **Field of Classification Search**
USPC D14/125, 357-358, 496, 188, 242, 432;
D13/184; 348/10, 460, 706, 731;
340/825.03; 455/6.1, 6.2; 312/223.1,
312/7.2
See application file for complete search history.

(56) **References Cited**

U.S. PATENT DOCUMENTS

D585,395 S * 1/2009 Cho et al. D14/125
D592,619 S * 5/2009 Woo et al. D14/125

D593,973 S * 6/2009 Cho et al. D14/125
D628,573 S * 12/2010 Wang D14/356
D639,254 S * 6/2011 Giovannoni et al. D14/125
D640,692 S * 6/2011 Waisman-Diamond D14/358
D641,722 S * 7/2011 Luo D14/125

* cited by examiner

Primary Examiner — Randall Gholson

(74) *Attorney, Agent, or Firm* — Dickinson Wright PLLC

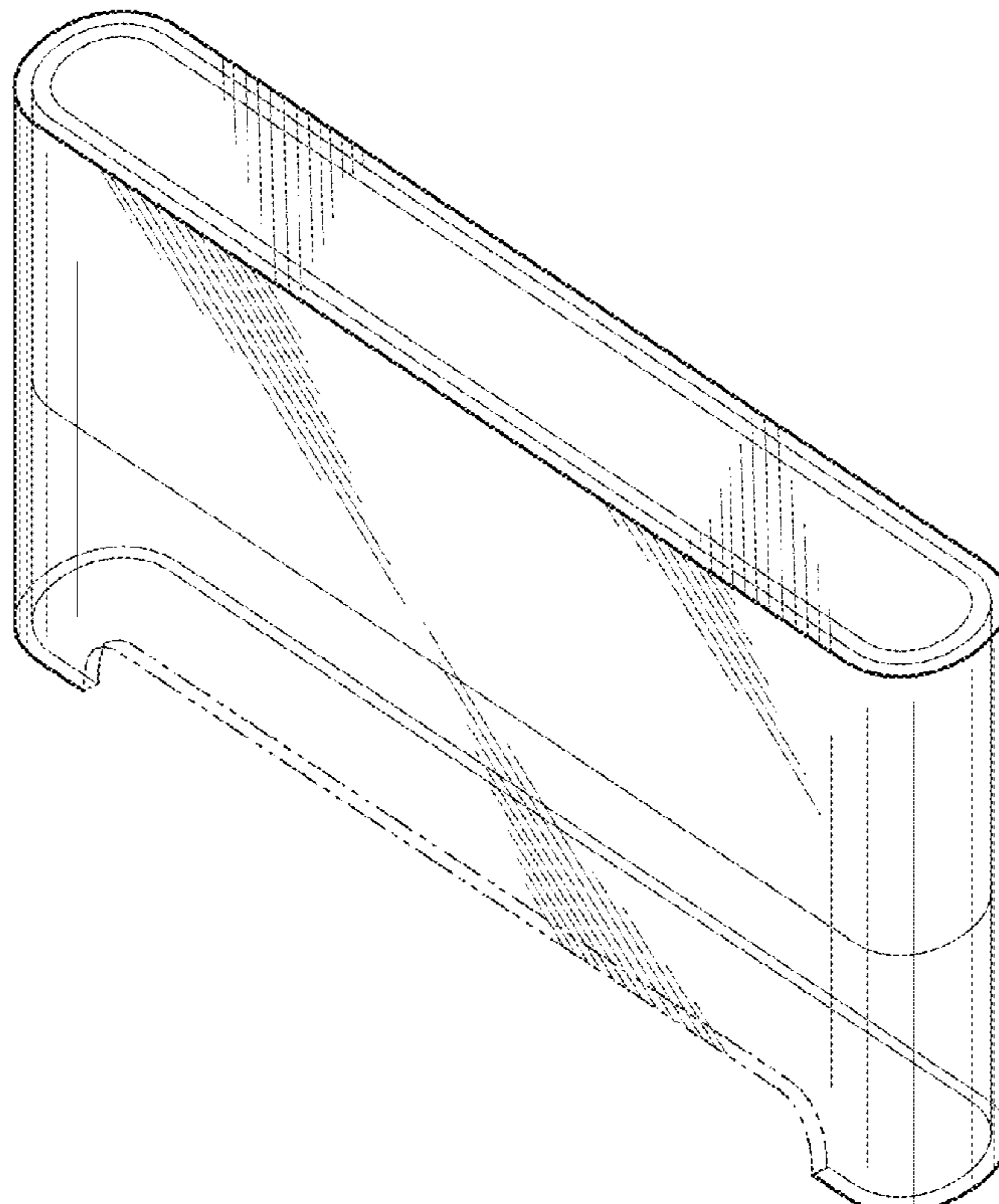
(57) **CLAIM**

The ornamental design for a set-top box, as shown and described.

DESCRIPTION

FIG. 1 is a perspective view of our new design for a set-top box;
FIG. 2 is a front view thereof;
FIG. 3 is a rear view thereof;
FIG. 4 is a top view thereof;
FIG. 5 is a left side view thereof;
FIG. 6 is a right side view thereof; and,
FIG. 7 is an alternate perspective view thereof showing the components of the set-top box separately.
The broken phantom lines depict unclaimed subject matter only and form no part of the claimed design. The bottom view forms no part of the claimed design.

1 Claim, 3 Drawing Sheets



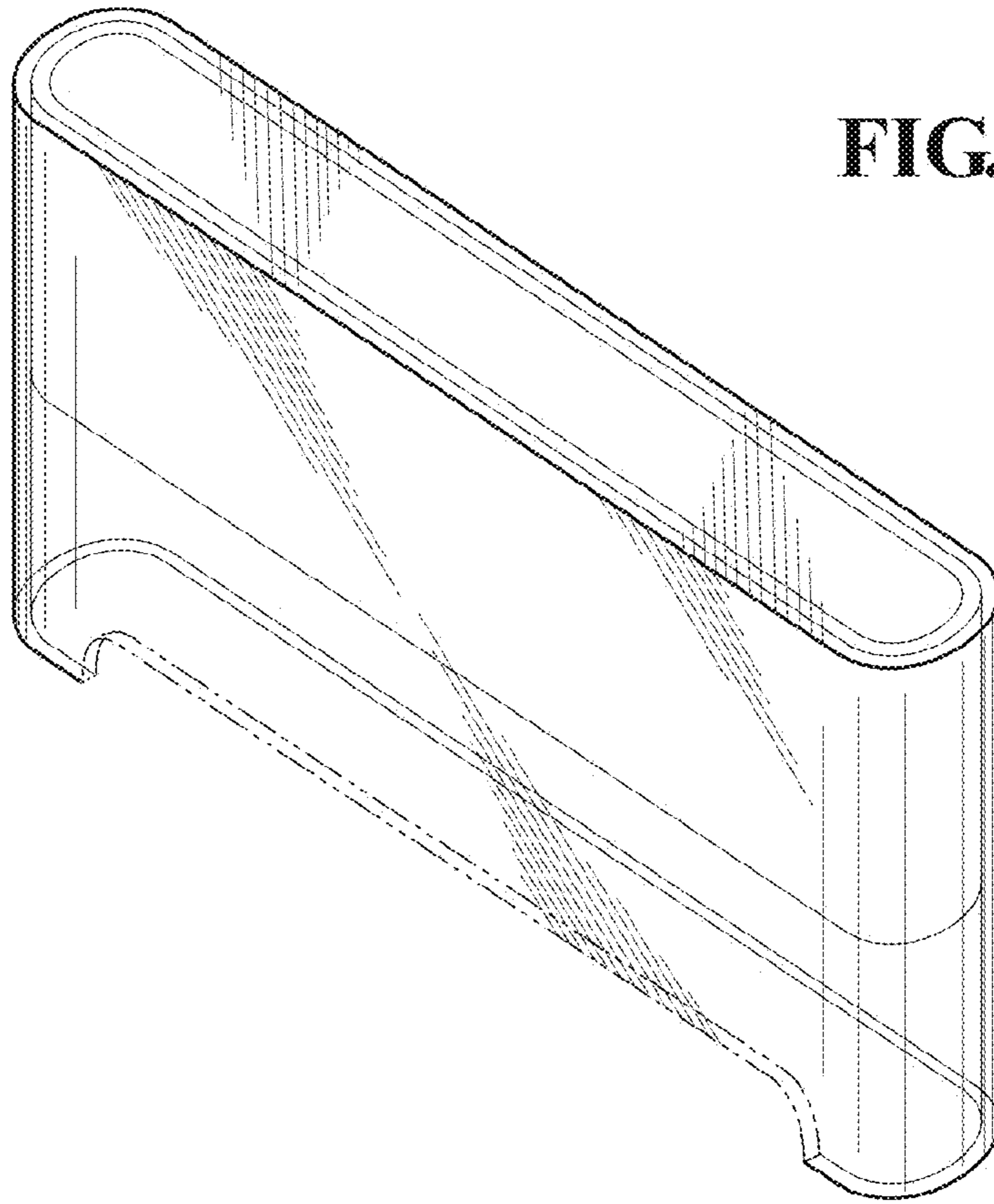
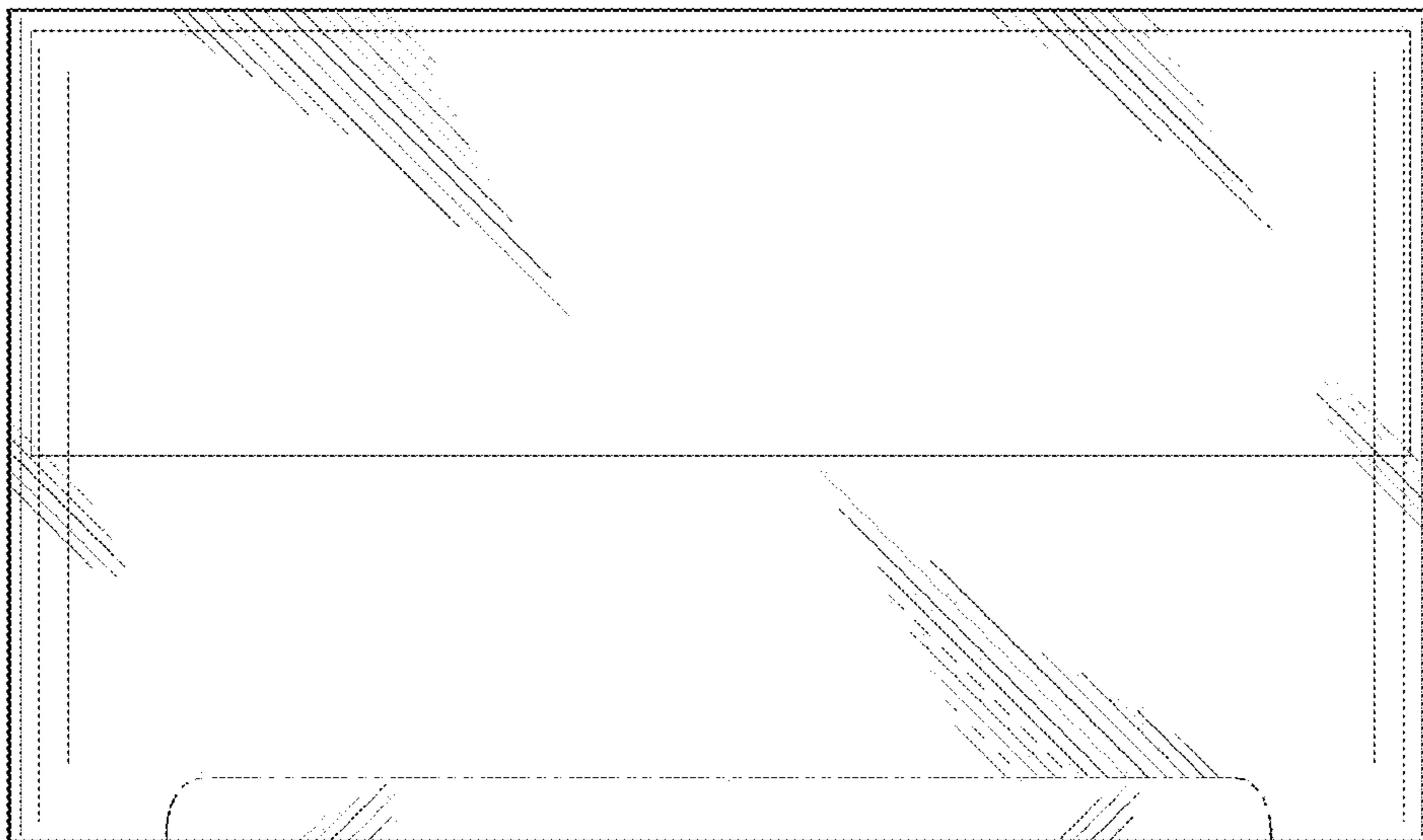


FIG. 1

FIG. 2



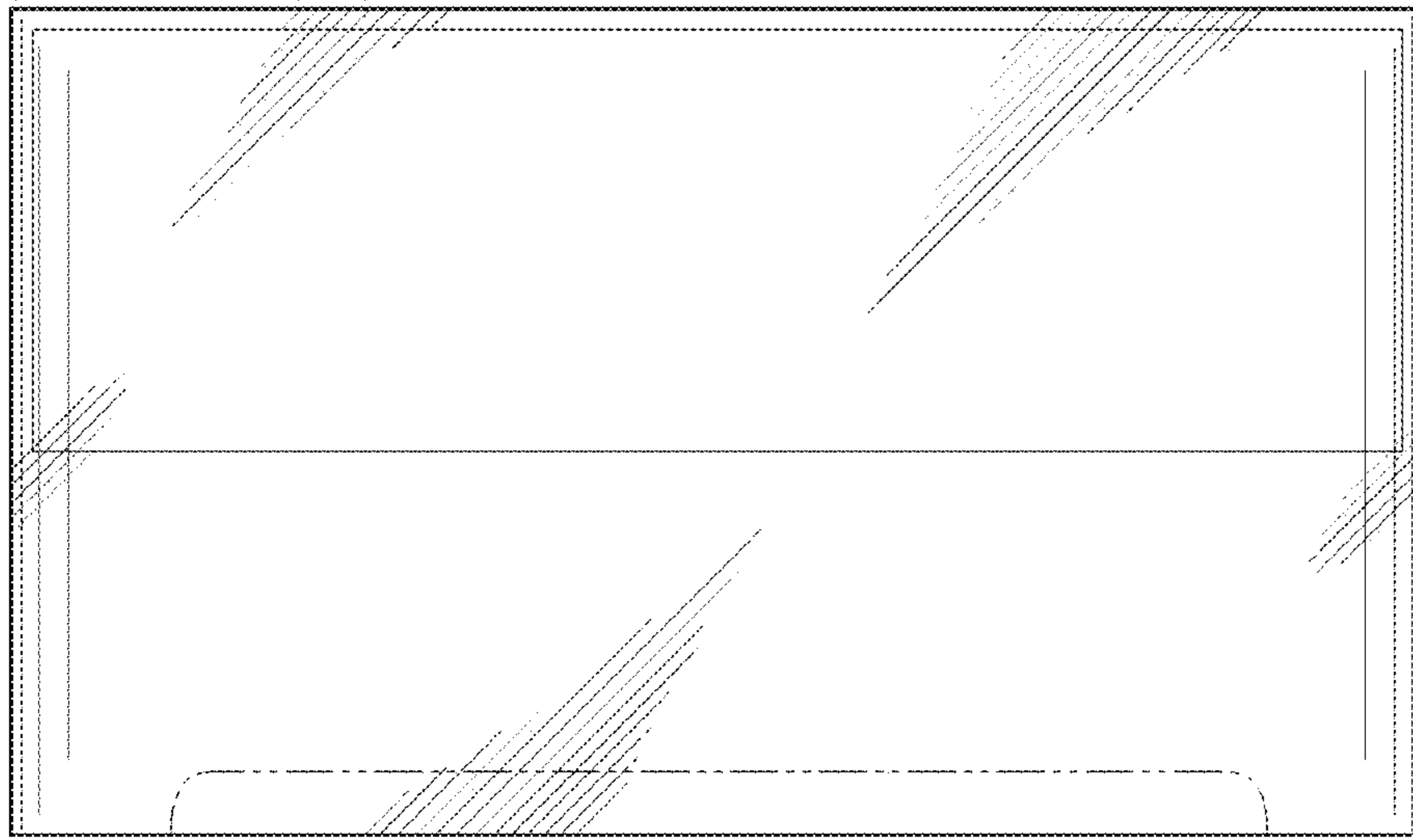


FIG. 3

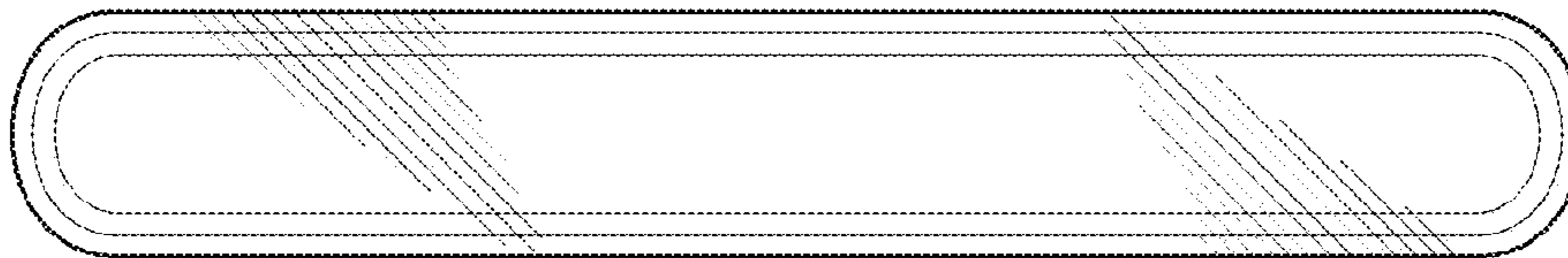


FIG. 4

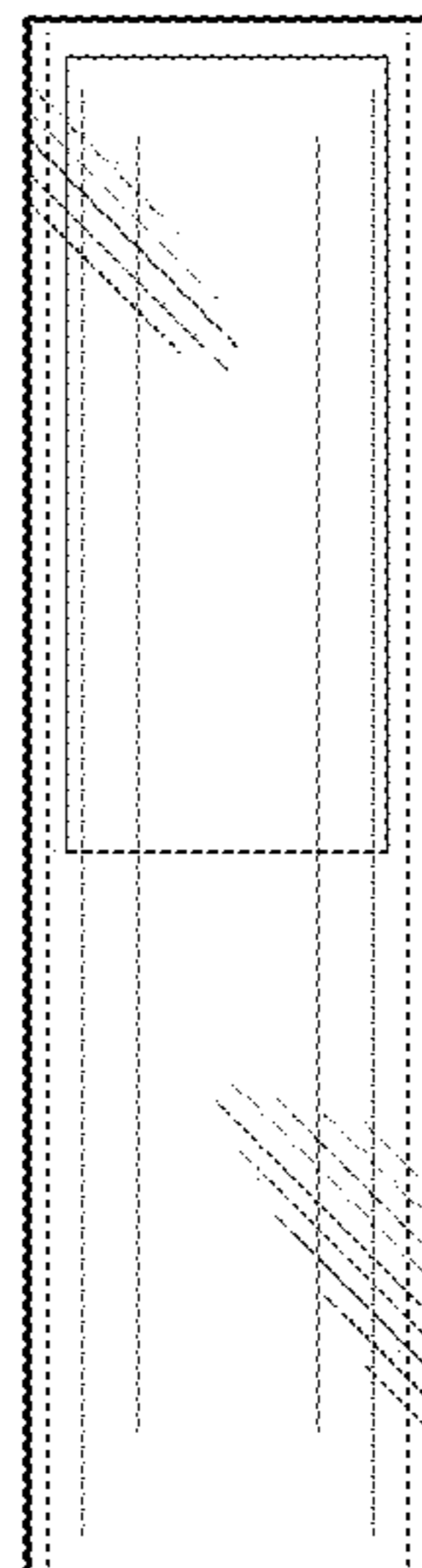


FIG. 5

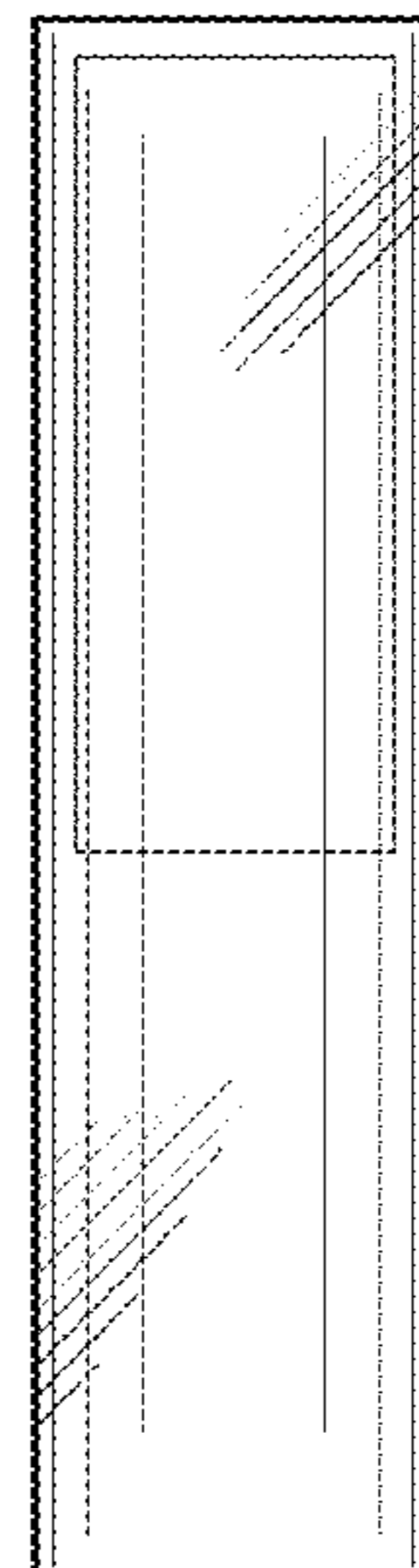


FIG. 6

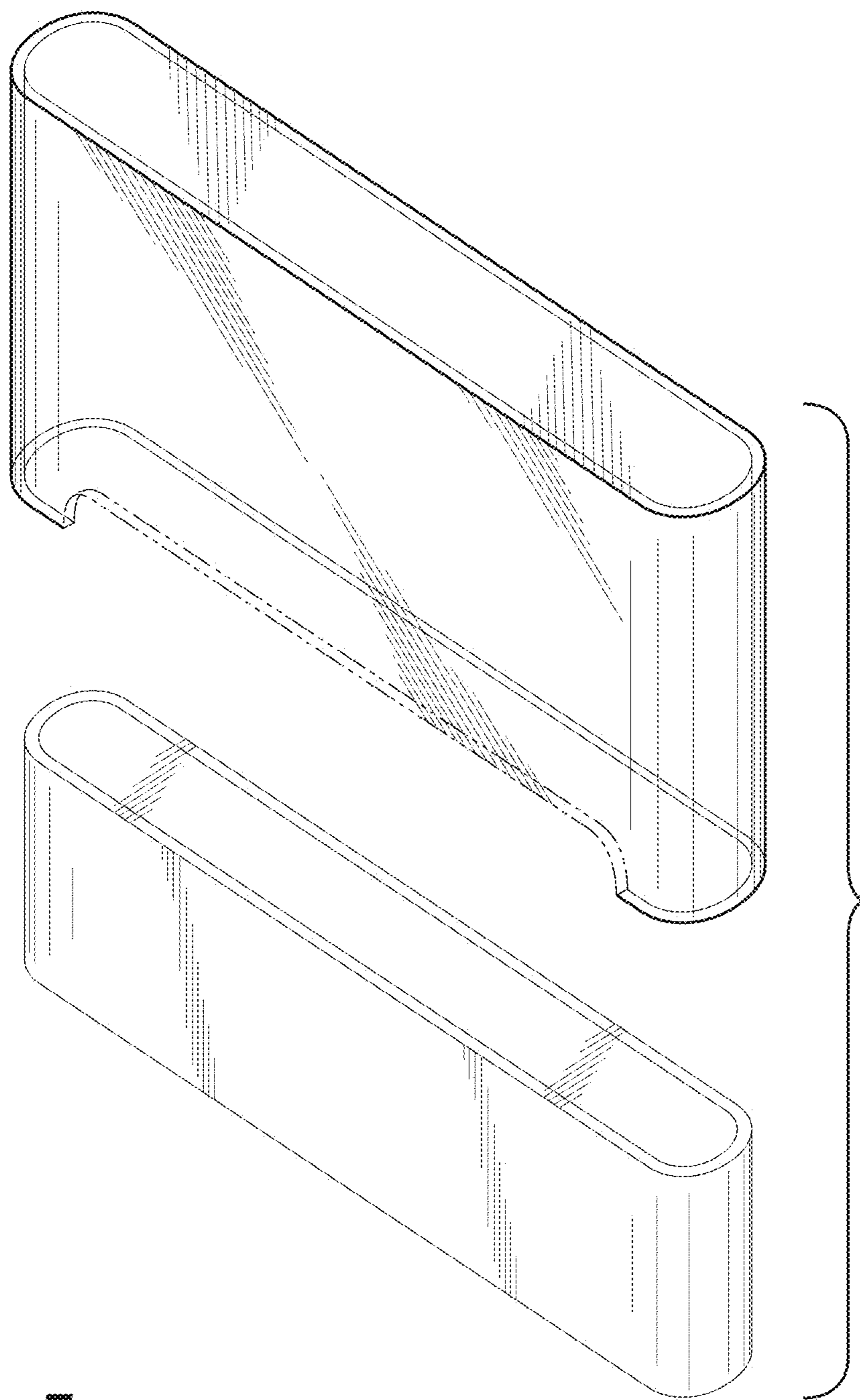


FIG. 7