



US00D720706S

(12) **United States Design Patent**
Chang et al.

(10) **Patent No.:** **US D720,706 S**
(45) **Date of Patent:** **** Jan. 6, 2015**

(54) **HEAT SINK FOR LIGHT EMITTING DIODE**

362/311.02

See application file for complete search history.

(71) Applicants: **Edison Opto Corporation**, New Taipei (TW); **Ledion Lighting Inc.**, New Taipei (TW)

(56)

References Cited

U.S. PATENT DOCUMENTS

(72) Inventors: **Chiung-Wen Chang**, Taipei (TW); **Chien-Yu Shen**, New Taipei (TW); **Kuo-Kai Liao**, New Taipei (TW)

D576,964	S	*	9/2008	Shaner	D13/179
D593,963	S	*	6/2009	Plonski et al.	D13/179
D626,094	S	*	10/2010	Alexander et al.	D13/179
D651,735	S	*	1/2012	Dai	D26/72
D651,738	S	*	1/2012	Guercio et al.	D26/138
8,093,790	B1	*	1/2012	Tsao	313/46
D662,898	S	*	7/2012	Petroski	D13/179
D662,899	S	*	7/2012	Shum et al.	D13/179
D678,595	S	*	3/2013	Wu et al.	D26/118
8,491,162	B2	*	7/2013	Lee	362/294
D688,821	S	*	8/2013	Fuersich et al.	D26/2
8,525,396	B2	*	9/2013	Shum et al.	313/46
D694,722	S	*	12/2013	Shum et al.	D13/179
8,764,251	B2	*	7/2014	Lien	362/373
2005/0174780	A1	*	8/2005	Park	362/294
2007/0236935	A1	*	10/2007	Wang	362/294
2008/0049399	A1	*	2/2008	Lu et al.	361/714
2008/0266866	A1	*	10/2008	Tsai	362/294

(73) Assignees: **Edison Opto Corporation** (TW); **Ledion Lighting Inc.** (TW)

(**) Term: **14 Years**

(21) Appl. No.: **29/471,351**

(22) Filed: **Oct. 30, 2013**

(30) **Foreign Application Priority Data**

Aug. 23, 2013 (TW) 102305670

(51) **LOC (10) Cl.** **13-03**

(52) **U.S. Cl.**
USPC **D13/179; D26/2**

(58) **Field of Classification Search**

CPC F28D 1/0246; F28D 1/0426; F28D 15/02; F28D 15/0266; F28D 15/0275; F28D 15/04; F28F 13/003; F28F 13/12; F28F 1/325; F04D 25/0613; F04D 25/068; F04D 29/281422; F21V 29/2293; F21V 29/2231; G03B 21/16; G06F 1/20; G06F 1/203; H01L 23/34; H01L 23/367; H01L 23/3672; H01L 23/40; H01L 23/4006; H01L 23/4093; H01L 23/427; H01L 23/467; H05K 7/20; H05K 7/20127; H05K 7/20145; H05K 7/20154; H05K 7/20172; H05K 7/20336

USPC D13/179; D26/2, 113, 118, 138; 165/80.3, 104.26, 104.33, 122, 151, 165/185; 257/706, 707, 718-722; 313/46; 361/695, 697, 700, 702, 704, 709, 710, 361/711, 719; 362/231, 249.02, 294,

(Continued)

Primary Examiner — Selina Sikder

(74) *Attorney, Agent, or Firm* — Hayes Soloway P.C.

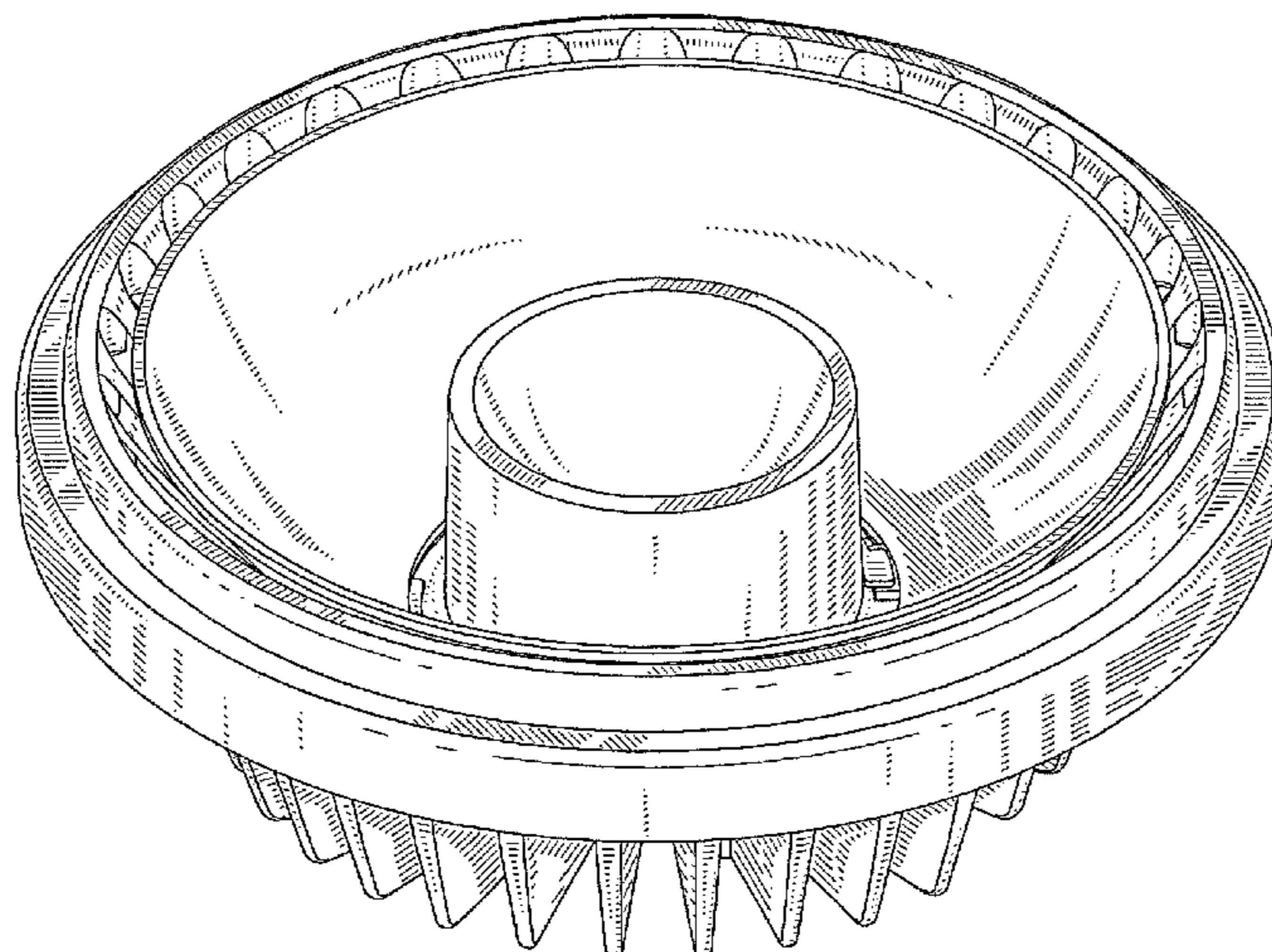
(57) **CLAIM**

The ornamental design for a heat sink for a light emitting diode, as shown and described.

DESCRIPTION

FIG. 1 is a perspective view of a heat sink for a light emitting diode showing our new design;
 FIG. 2 is a front view thereof;
 FIG. 3 is a rear view thereof;
 FIG. 4 is a left side view thereof;
 FIG. 5 is a right side view thereof;
 FIG. 6 is a top view thereof; and,
 FIG. 7 is a bottom view thereof.

1 Claim, 7 Drawing Sheets



(56)

References Cited

U.S. PATENT DOCUMENTS

2010/0026158 A1* 2/2010 Wu 313/46
2010/0207502 A1* 8/2010 Cao et al. 313/46
2010/0259935 A1* 10/2010 Scordino et al. 362/294

2012/0161626 A1* 6/2012 van de Ven et al. 315/35
2013/0033165 A1* 2/2013 Terazawa 313/46
2013/0322089 A1* 12/2013 Martis et al. 362/311.02
2014/0119023 A1* 5/2014 Chang et al. 362/294

* cited by examiner

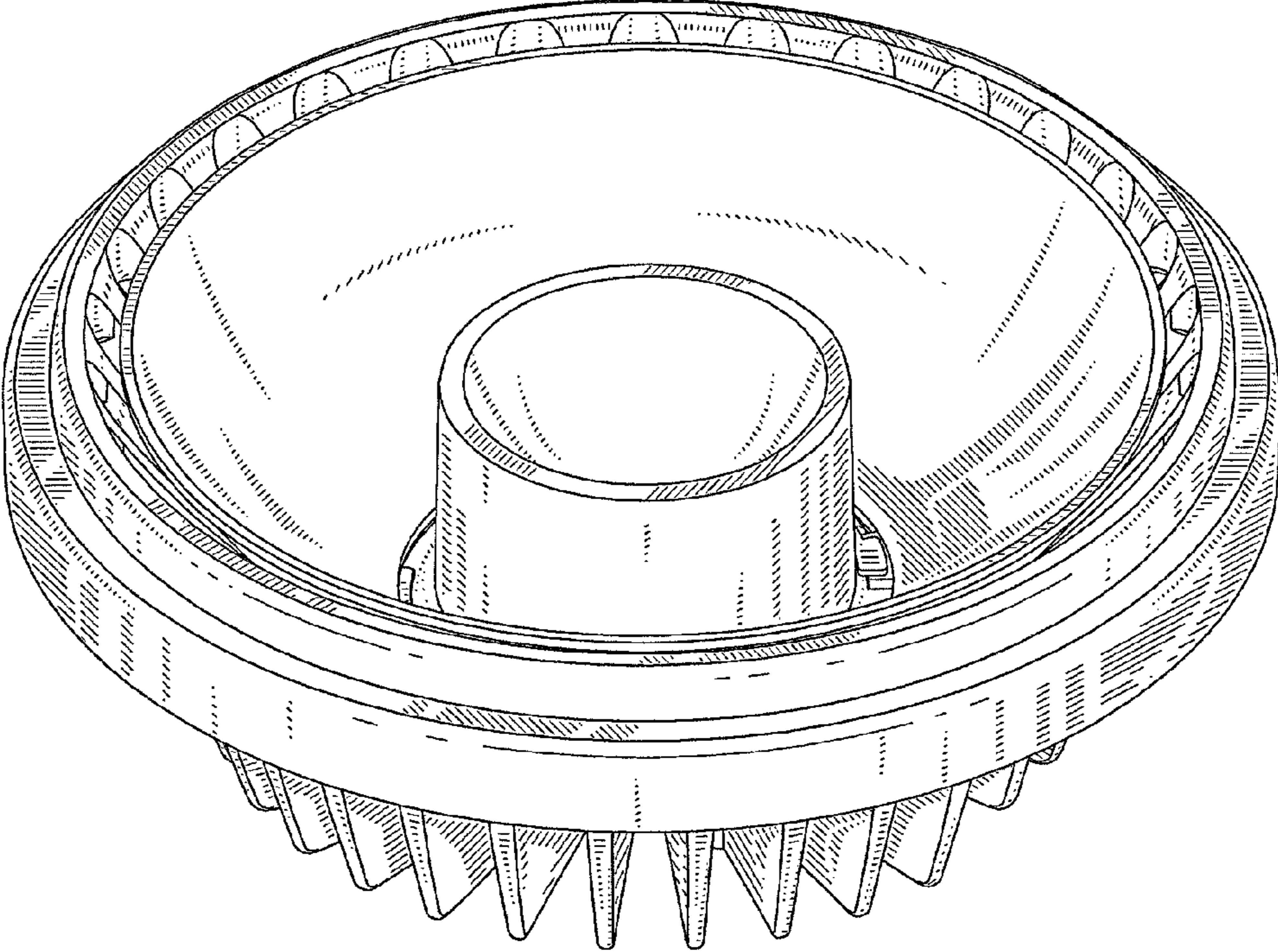


FIG. 1

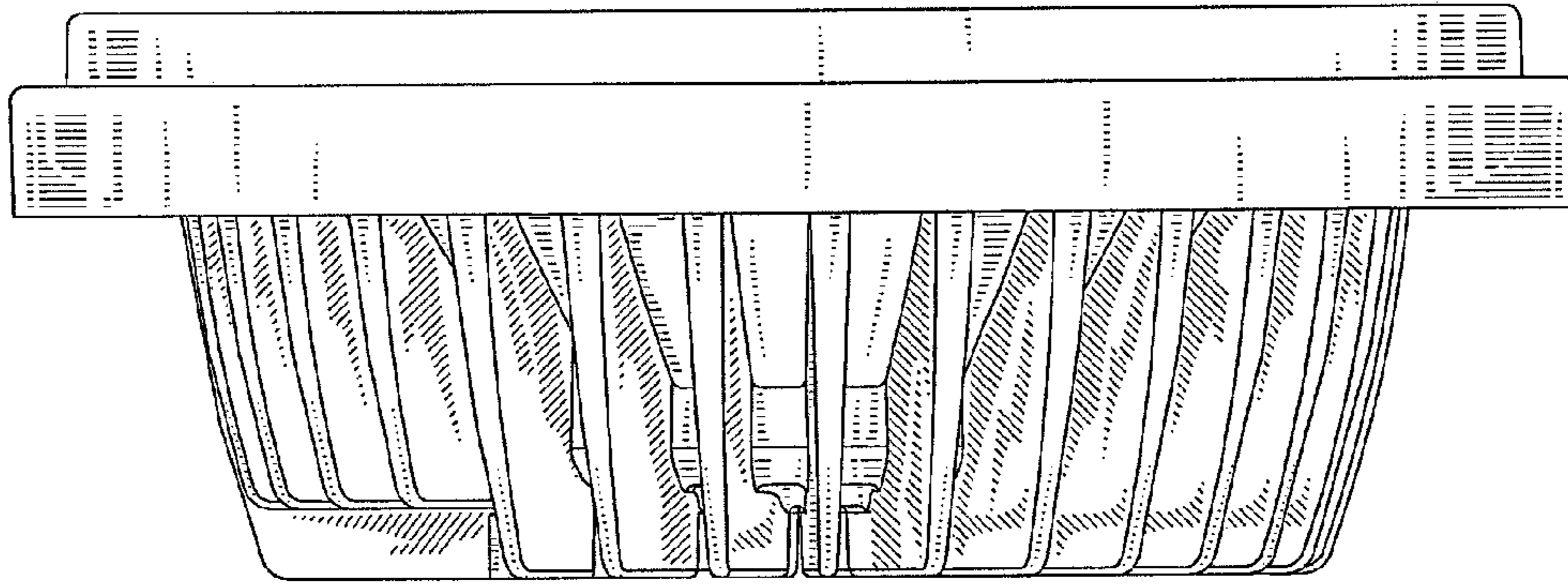


FIG. 2

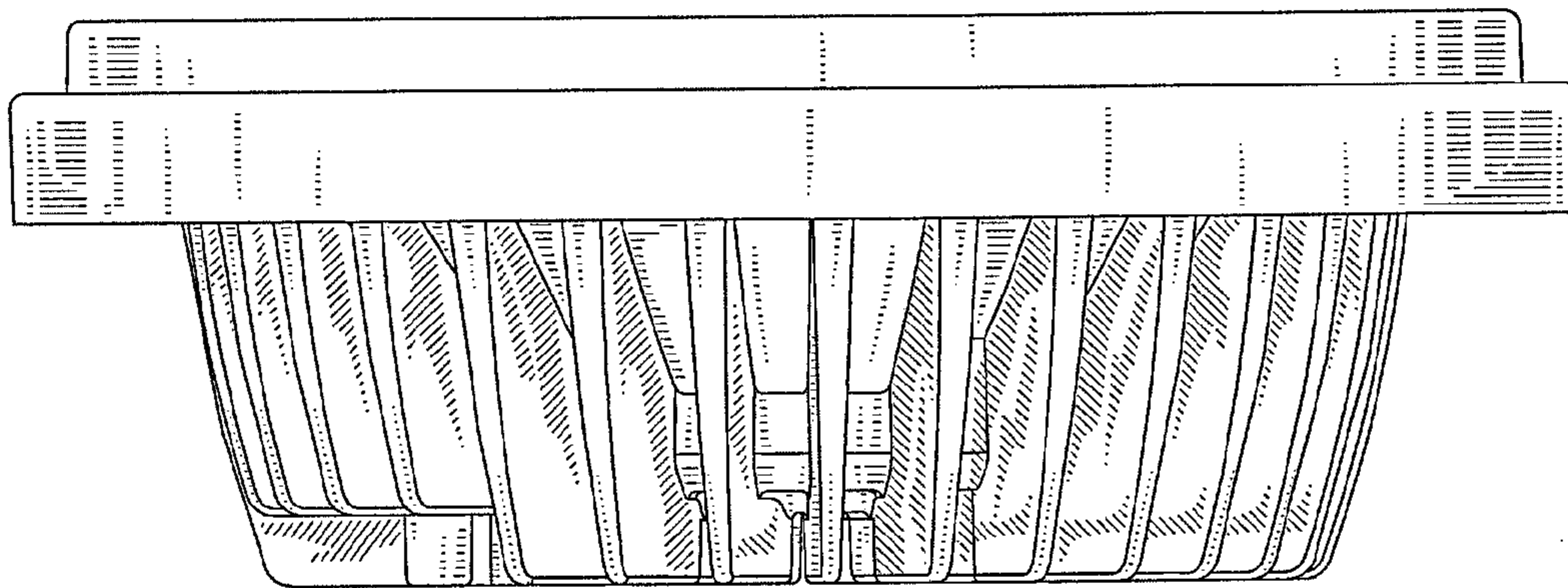


FIG. 3

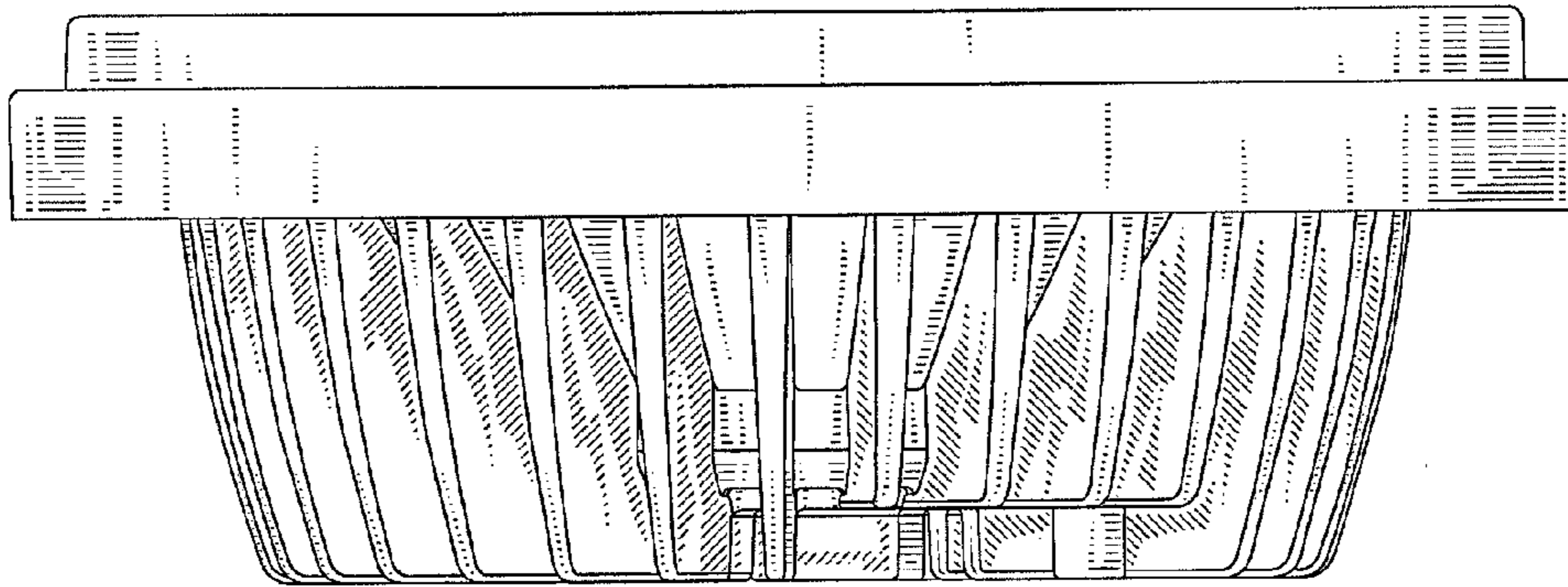


FIG. 4

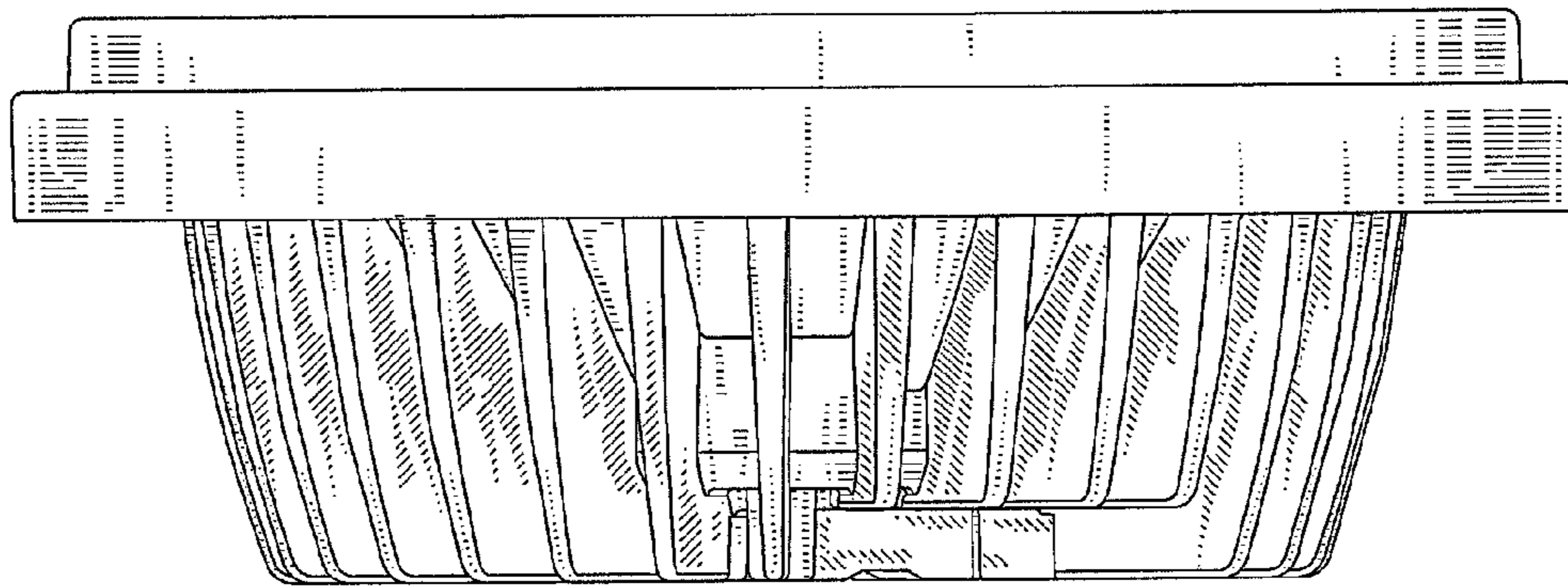


FIG. 5

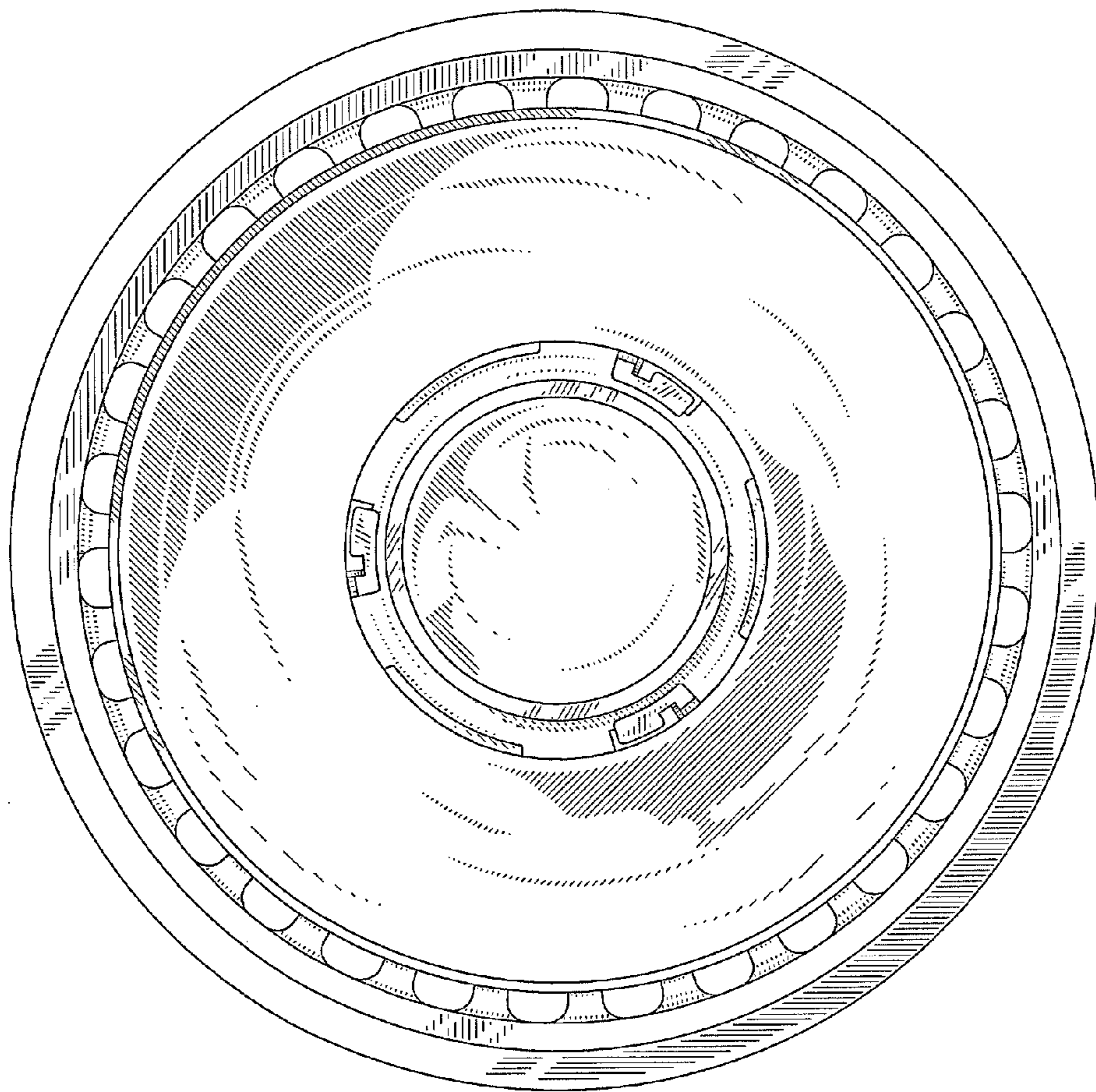


FIG. 6

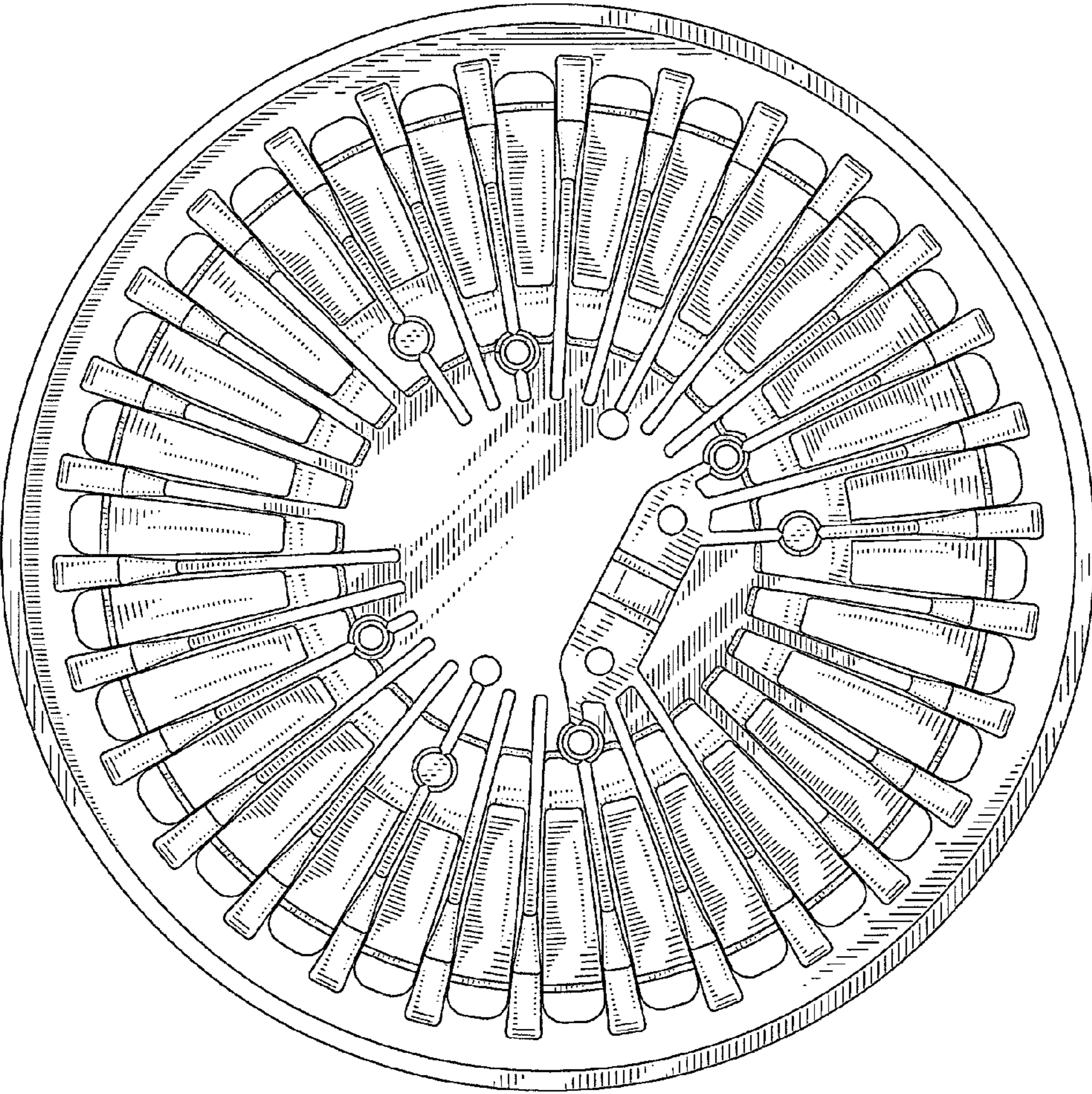


FIG. 7