



US00D720704S

(12) **United States Design Patent**
Yamanaka

(10) **Patent No.:** **US D720,704 S**

(45) **Date of Patent:** **** Jan. 6, 2015**

(54) **PUSH SWITCH**

(71) Applicant: **Hosiden Corporation**, Osaka (JP)

(72) Inventor: **Satoshi Yamanaka**, Osaka (JP)

(73) Assignee: **Hosiden Corporation**, Osaka (JP)

(**) Term: **14 Years**

(21) Appl. No.: **29/471,244**

(22) Filed: **Oct. 30, 2013**

(30) **Foreign Application Priority Data**

May 16, 2013 (JP) 2013-010741

May 16, 2013 (JP) 2013-010742

(51) **LOC (10) Cl.** **13-03**

(52) **U.S. Cl.**
USPC **D13/171**

(58) **Field of Classification Search**
USPC D13/171, 174; D10/108; 307/139, 157;
315/209 R, 224, 246, 291, 294, 295;
200/5 R, 5 A, 302.2, 520, 529, 530, 293,
200/296, 308, 310, 314, 329, 341
See application file for complete search history.

(56) **References Cited**

U.S. PATENT DOCUMENTS

4,843,197 A * 6/1989 Kojima et al. 200/406
4,891,476 A * 1/1990 Nation et al. 200/11 R

(Continued)

Primary Examiner — Selina Sikder

(74) *Attorney, Agent, or Firm* — Novak Druce Connolly Bove + Quigg LLP

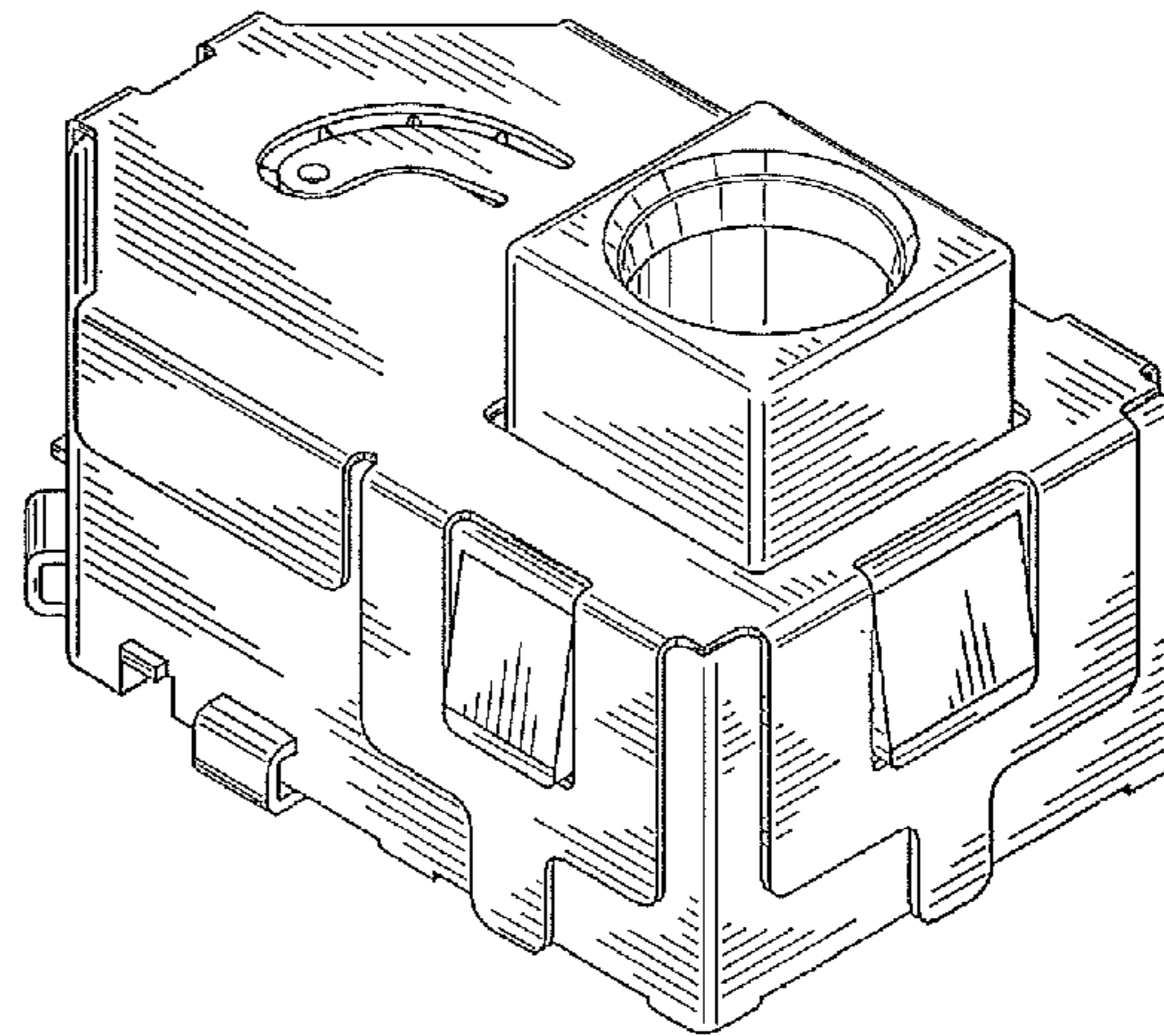
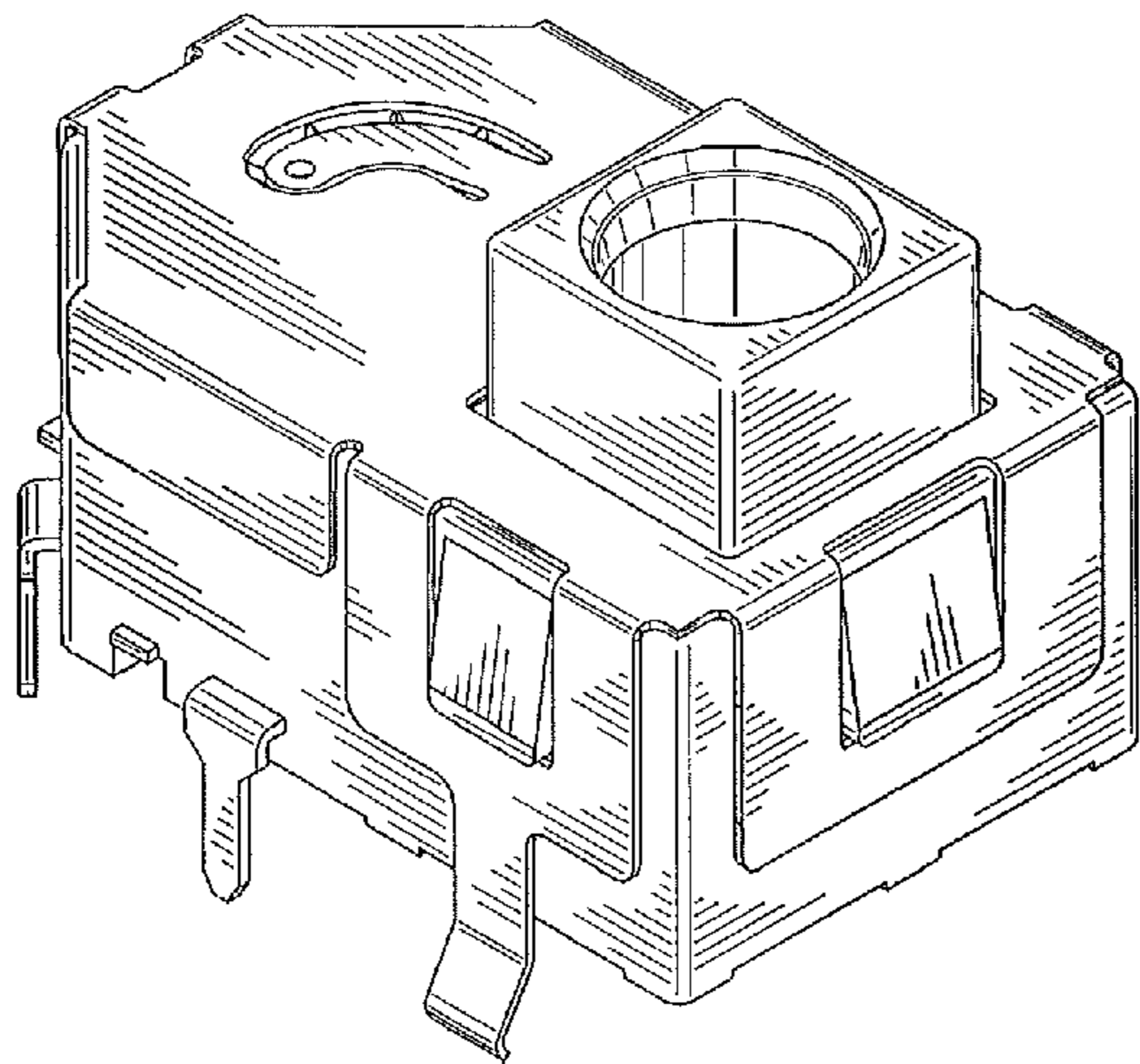
(57) **CLAIM**

The ornamental design for a push switch, as shown and described.

DESCRIPTION

FIG. 1 is a top plan view of a push switch showing a first variant of the invention;
FIG. 2 is a front elevation view of the push switch of FIG. 1;
FIG. 3 is a rear elevation view of the push switch of FIG. 1;
FIG. 4 is a bottom plan view of the push switch of FIG. 1;
FIG. 5 is a right-side elevation view of the push switch of FIG. 1;
FIG. 6 is a left-side elevation view of the push switch of FIG. 1;
FIG. 7 is a sectional view along line A-A of FIG. 2;
FIG. 8 is a sectional view along B-B of FIG. 2;
FIG. 9 is a top perspective view of the push switch of FIG. 1;
FIG. 10 is a bottom perspective view of the push switch of FIG. 1;
FIG. 11 is a top plan view of a push switch showing a second variant of the invention;
FIG. 12 is a front elevation view of the push switch of FIG. 11;
FIG. 13 is a rear elevation view of the push switch of FIG. 11;
FIG. 14 is a bottom plan view of the push switch of FIG. 11;
FIG. 15 is a right-side elevation view of the push switch of FIG. 11;
FIG. 16 is a left-side elevation view of the push switch of FIG. 11;
FIG. 17 is a sectional view along line A-A of FIG. 12;
FIG. 18 is a sectional view along line B-B of FIG. 12;
FIG. 19 is a top perspective view of the push switch of FIG. 11; and,
FIG. 20 is a bottom perspective view of the push switch of FIG. 1.

1 Claim, 10 Drawing Sheets



(56)

References Cited

U.S. PATENT DOCUMENTS

4,987,278	A *	1/1991	Tsutsumi	200/294	7,514,643	B1 *	4/2009	Tittle	200/314
5,847,345	A *	12/1998	Harrison	200/284	D613,253	S *	4/2010	Yamanaka	D13/158
6,809,281	B2 *	10/2004	Miki	200/529	D625,271	S *	10/2010	Yamanaka	D13/158
7,030,331	B2 *	4/2006	Sasaki	200/341	D627,742	S *	11/2010	Yamanaka	D13/158
D537,797	S *	3/2007	Yanai et al.	D13/171	7,880,107	B1 *	2/2011	Srbinovski et al.	200/406
						8,803,017	B2 *	8/2014	Huang	200/527
						2013/0032457	A1 *	2/2013	Quinn	200/341
						2014/0190812	A1 *	7/2014	Yamanaka	200/529

* cited by examiner

FIG. 1

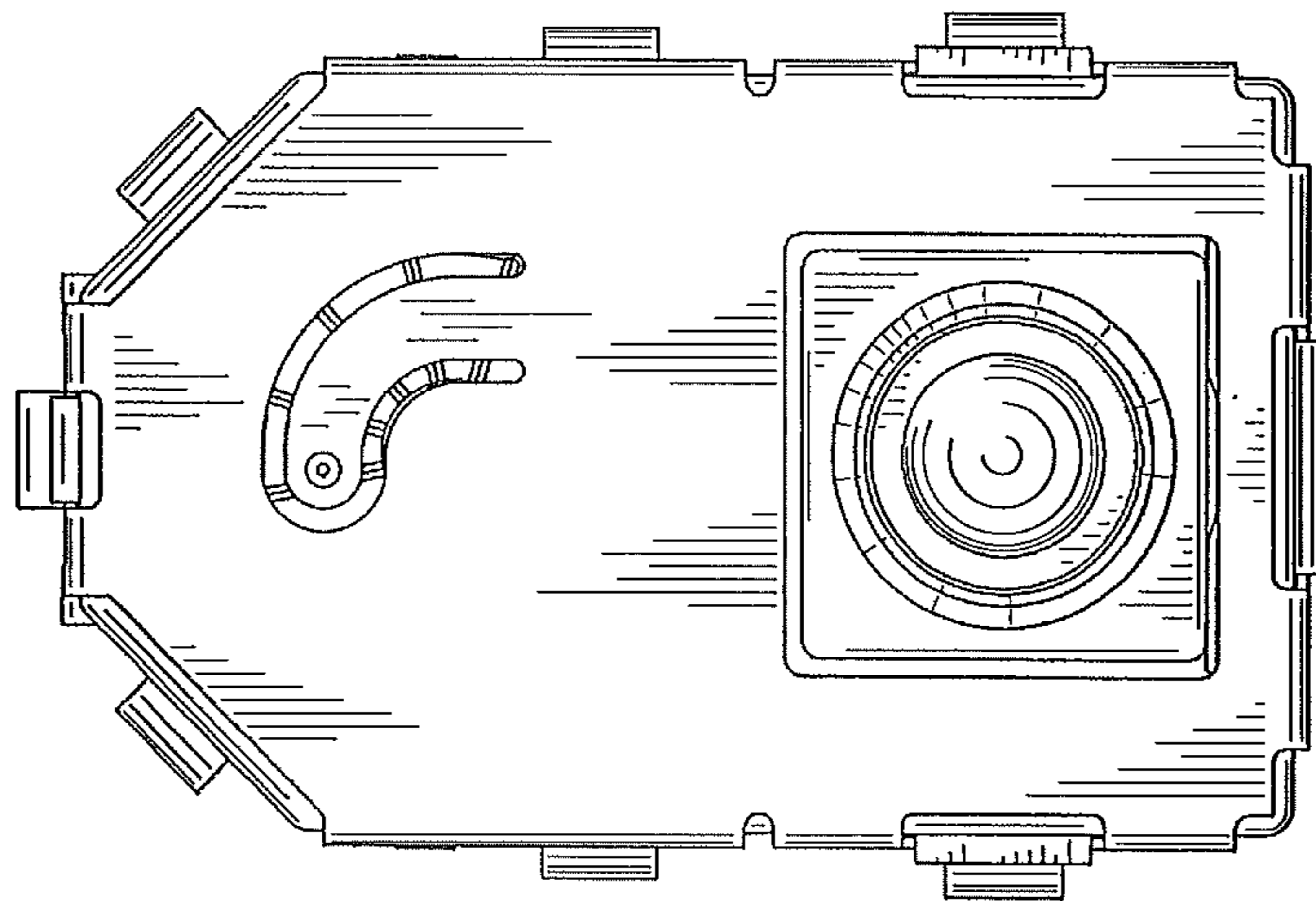


FIG. 2

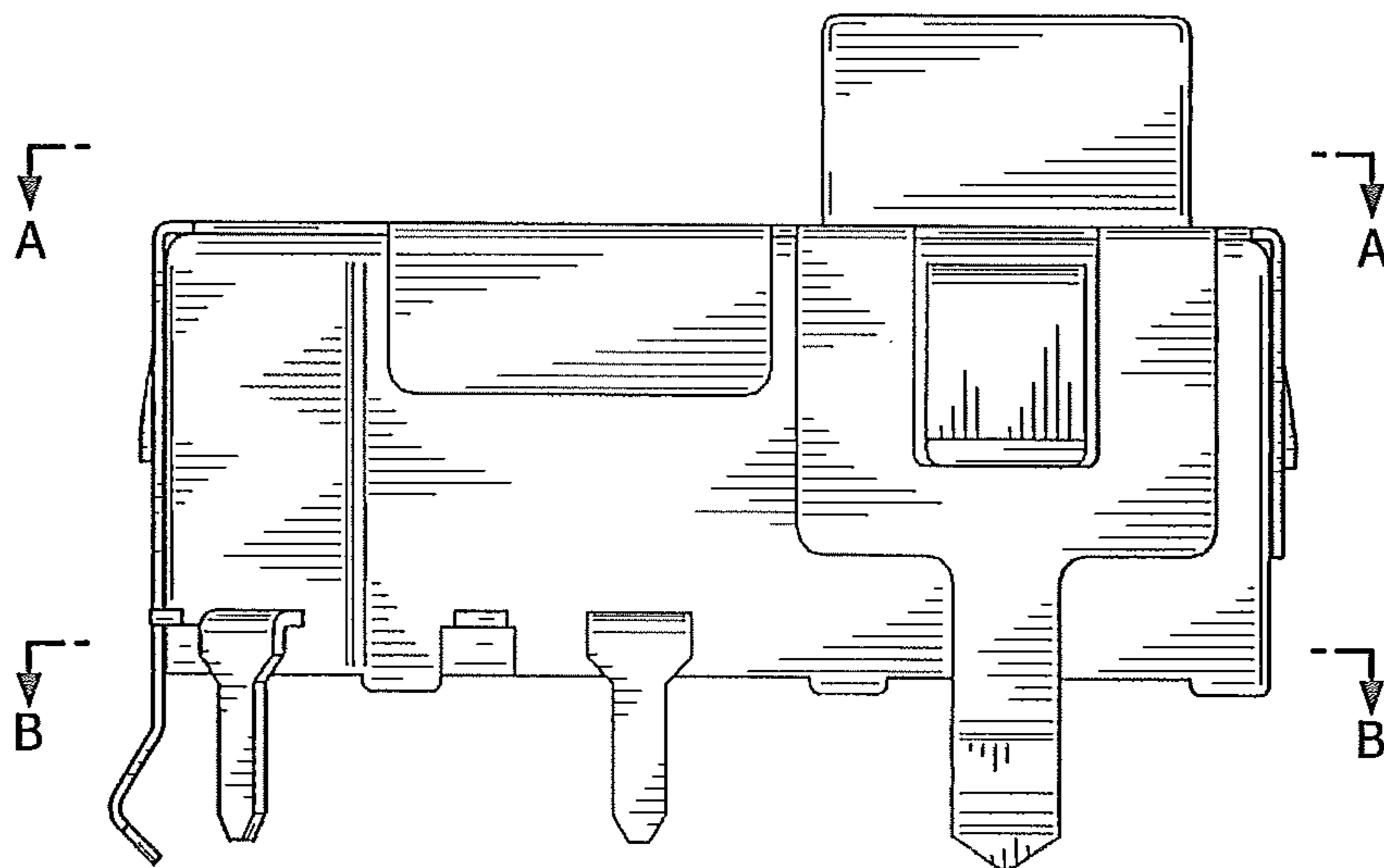


FIG. 3

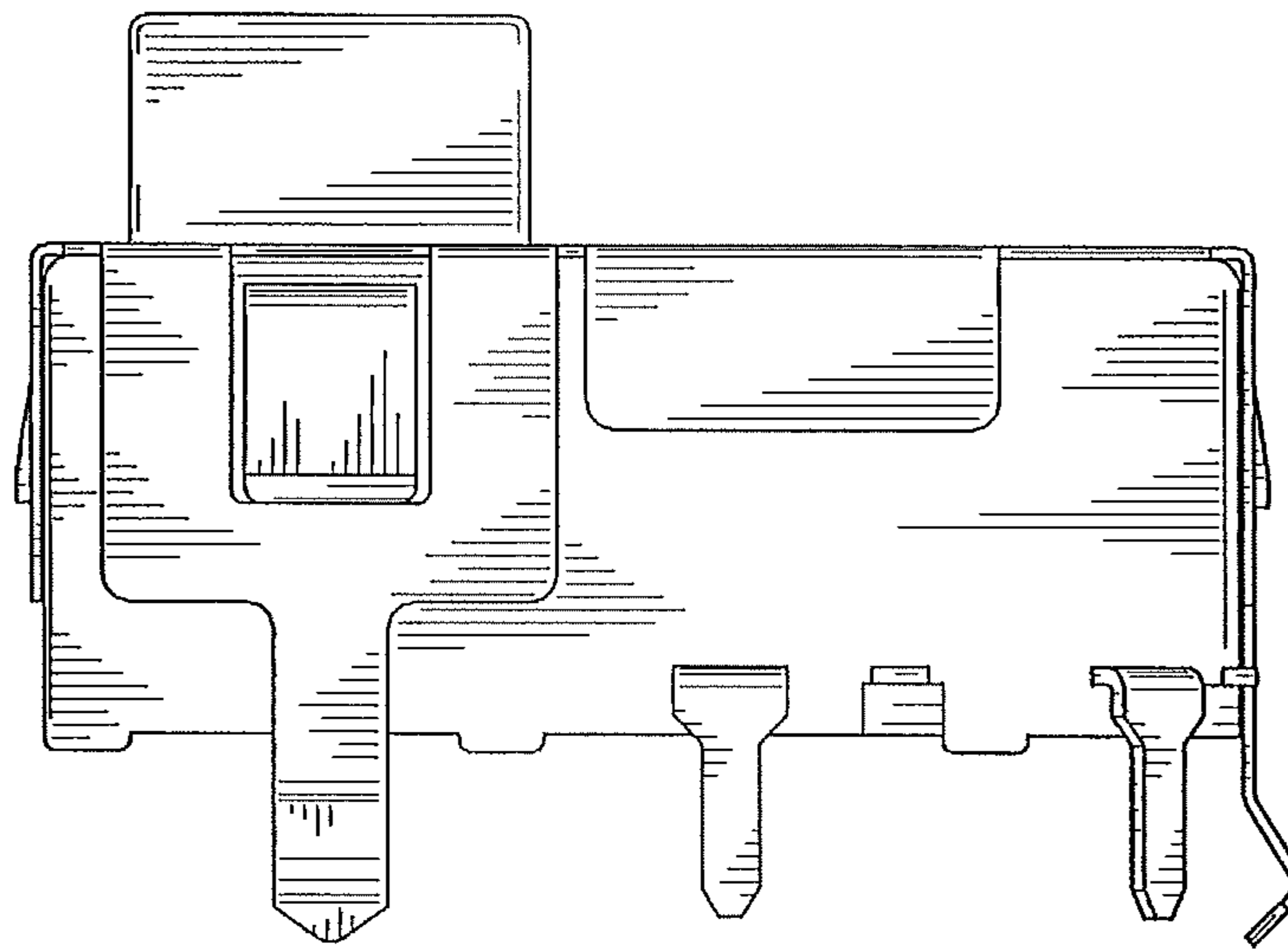


FIG. 4

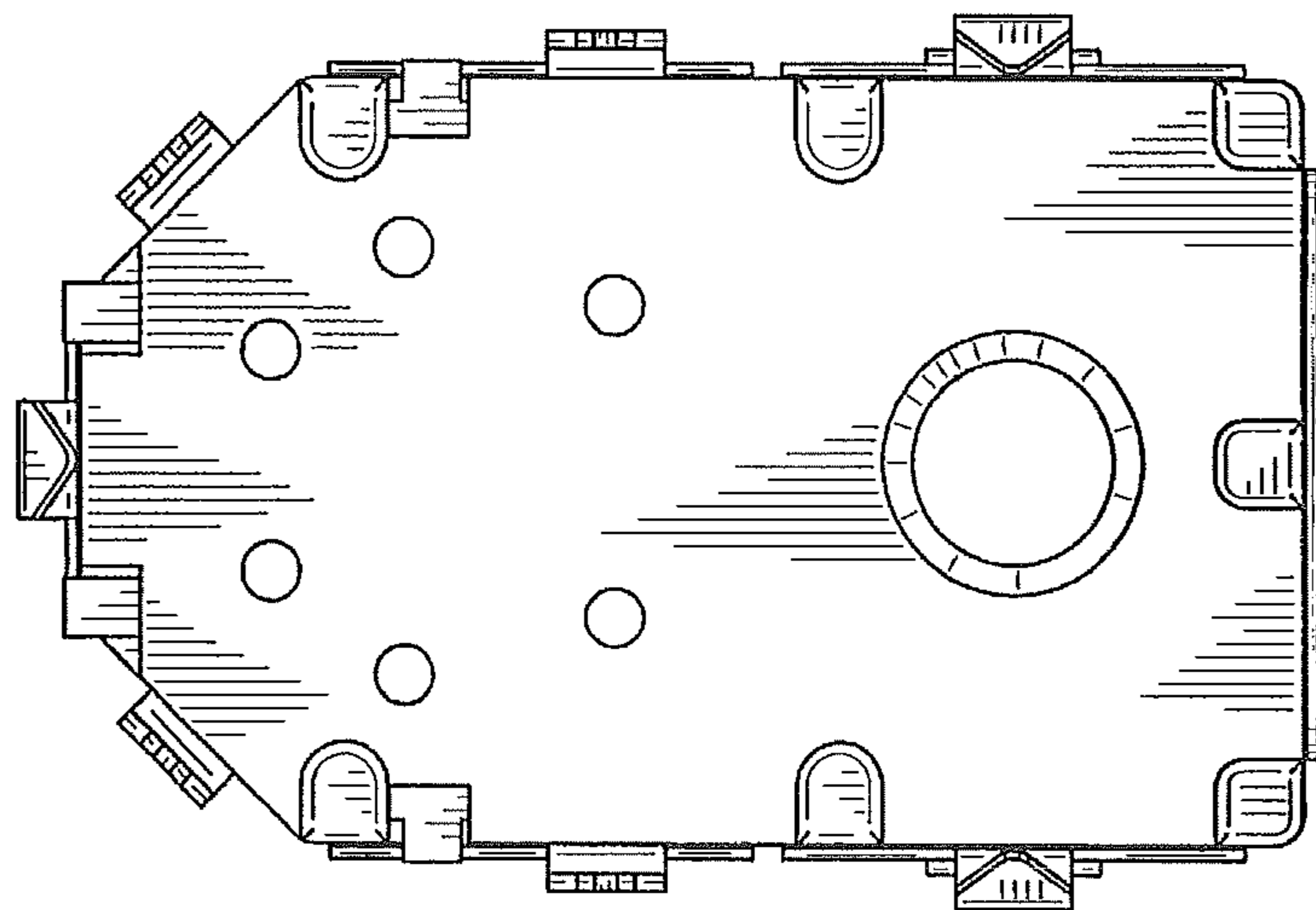


FIG. 5

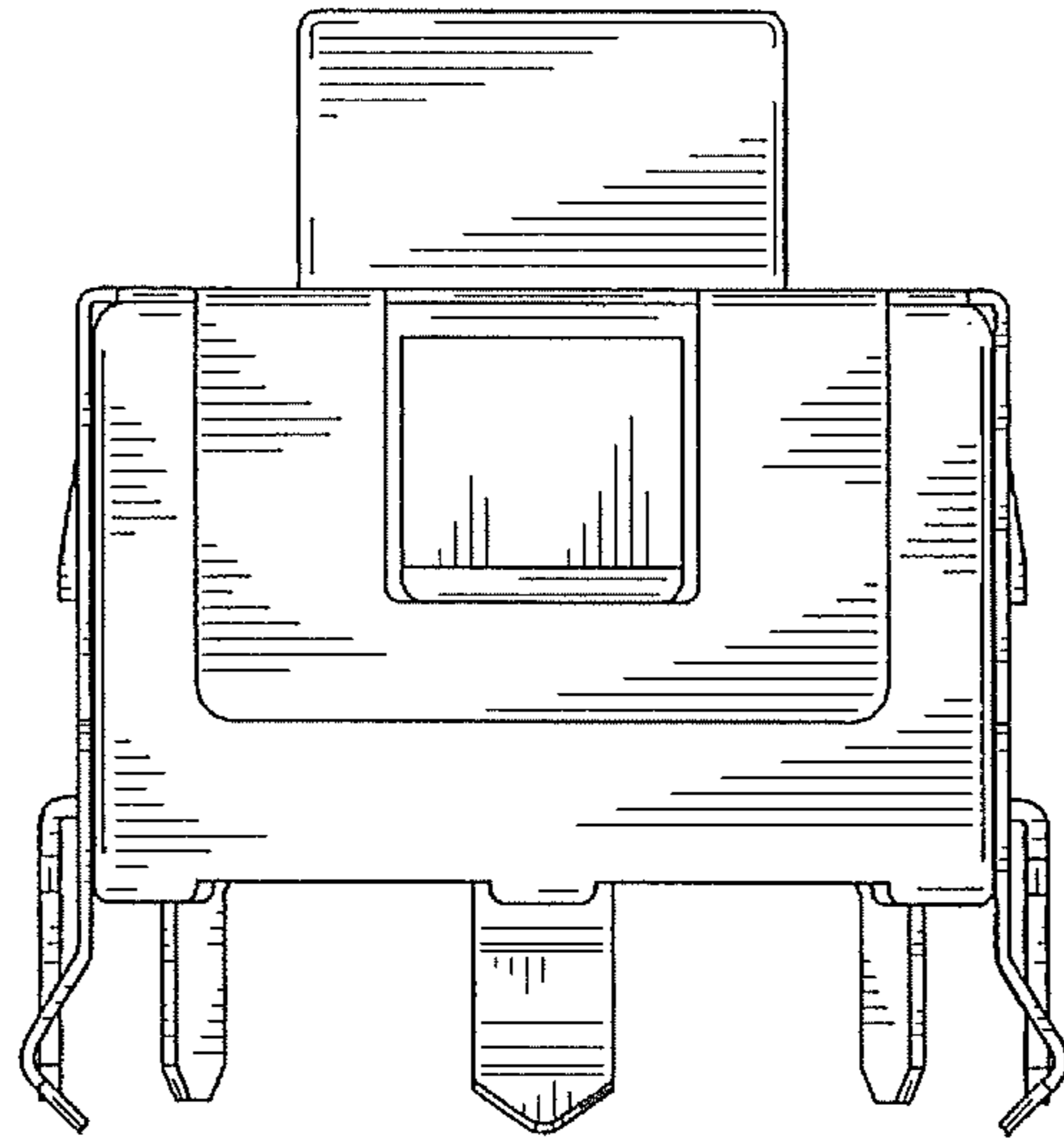


FIG. 6

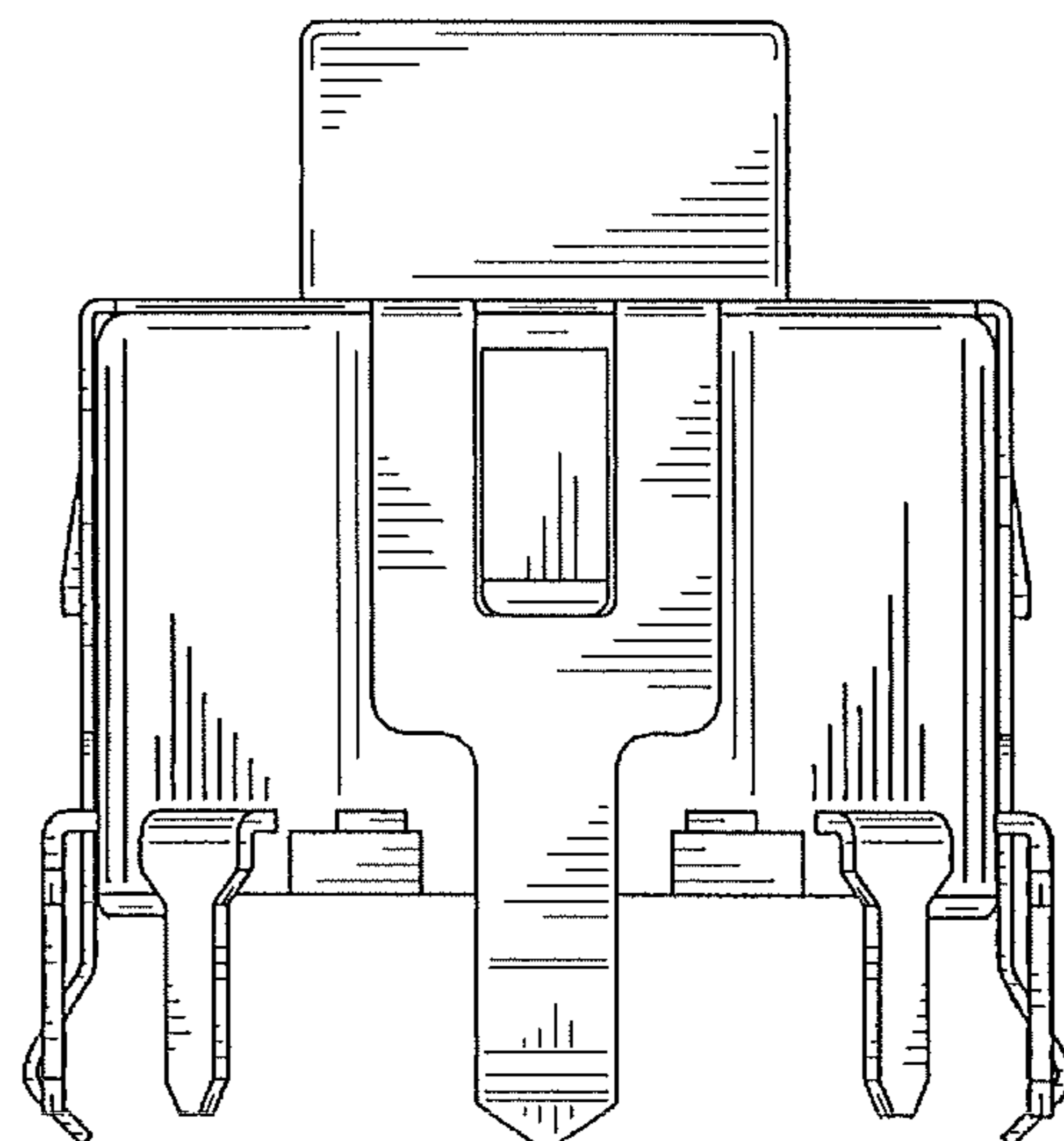


FIG. 7

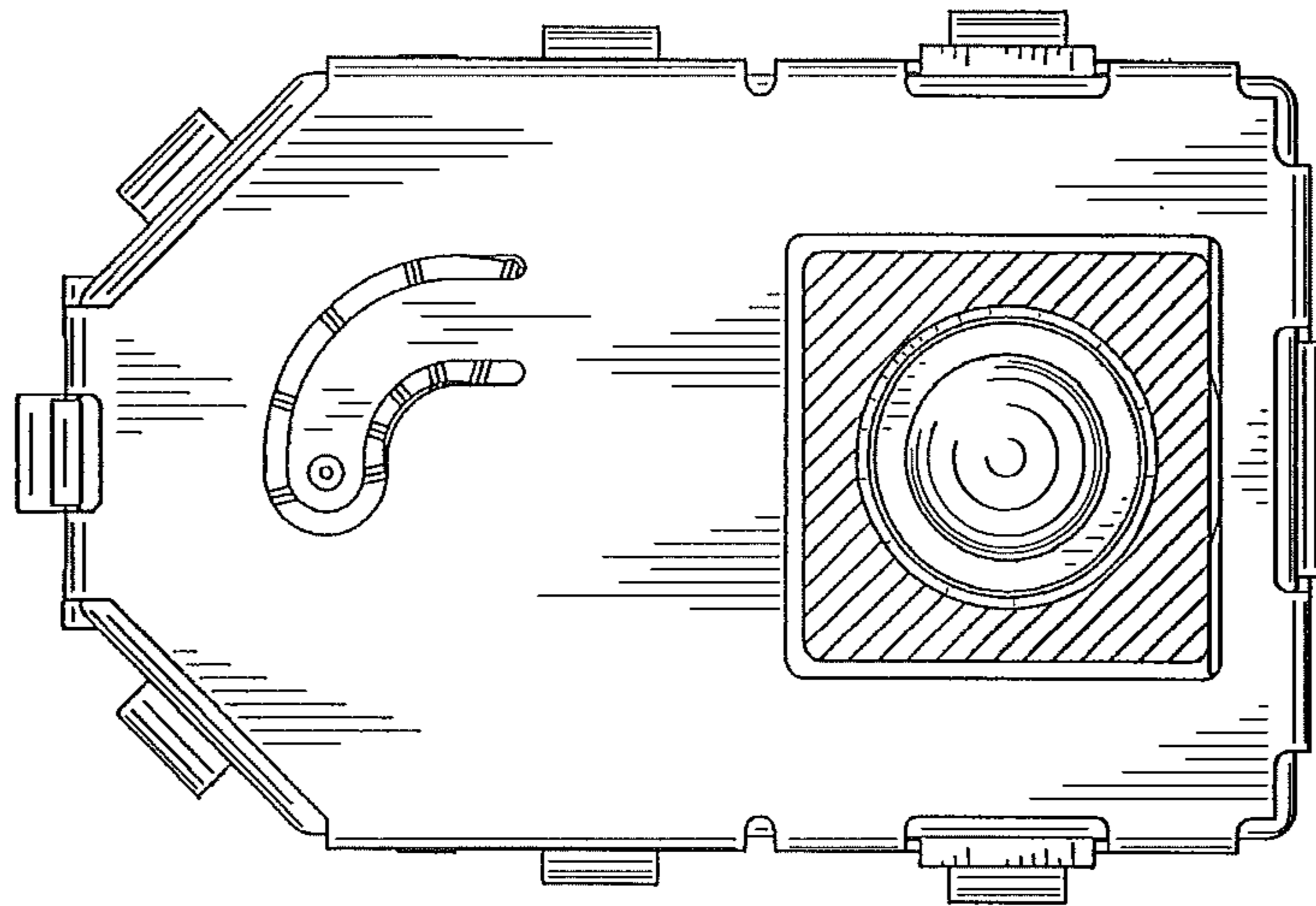


FIG. 8

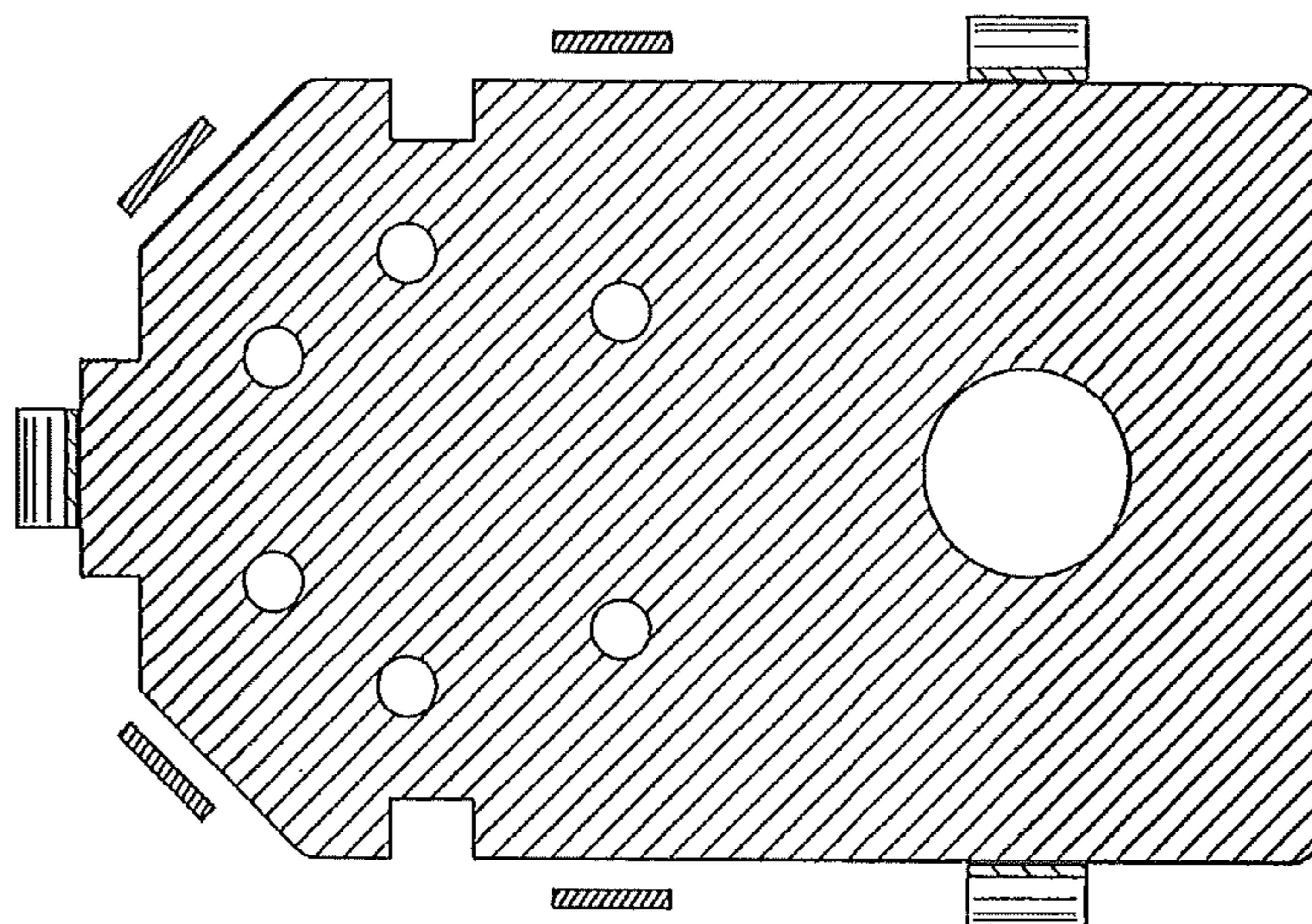


FIG. 9

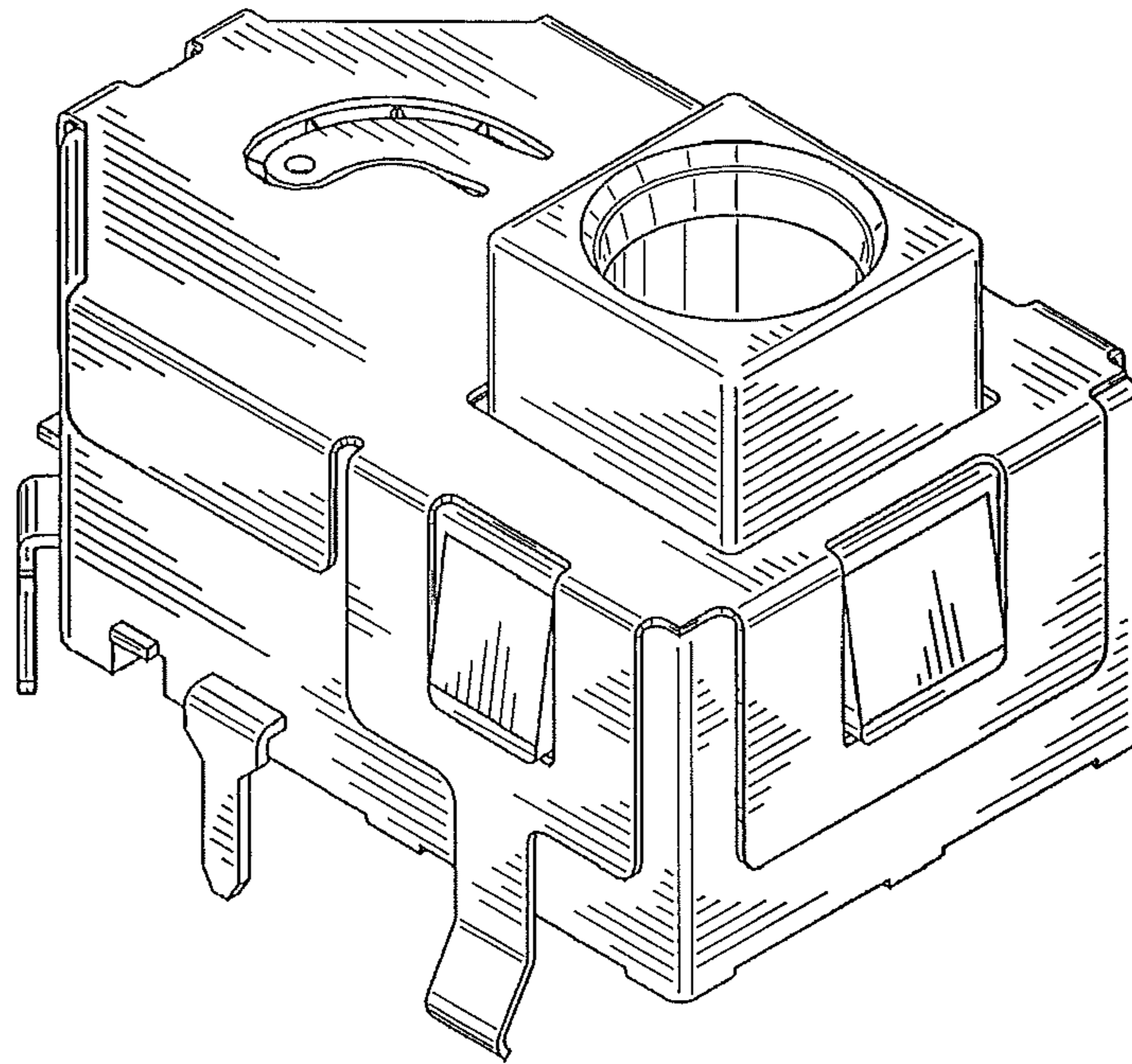


FIG. 10

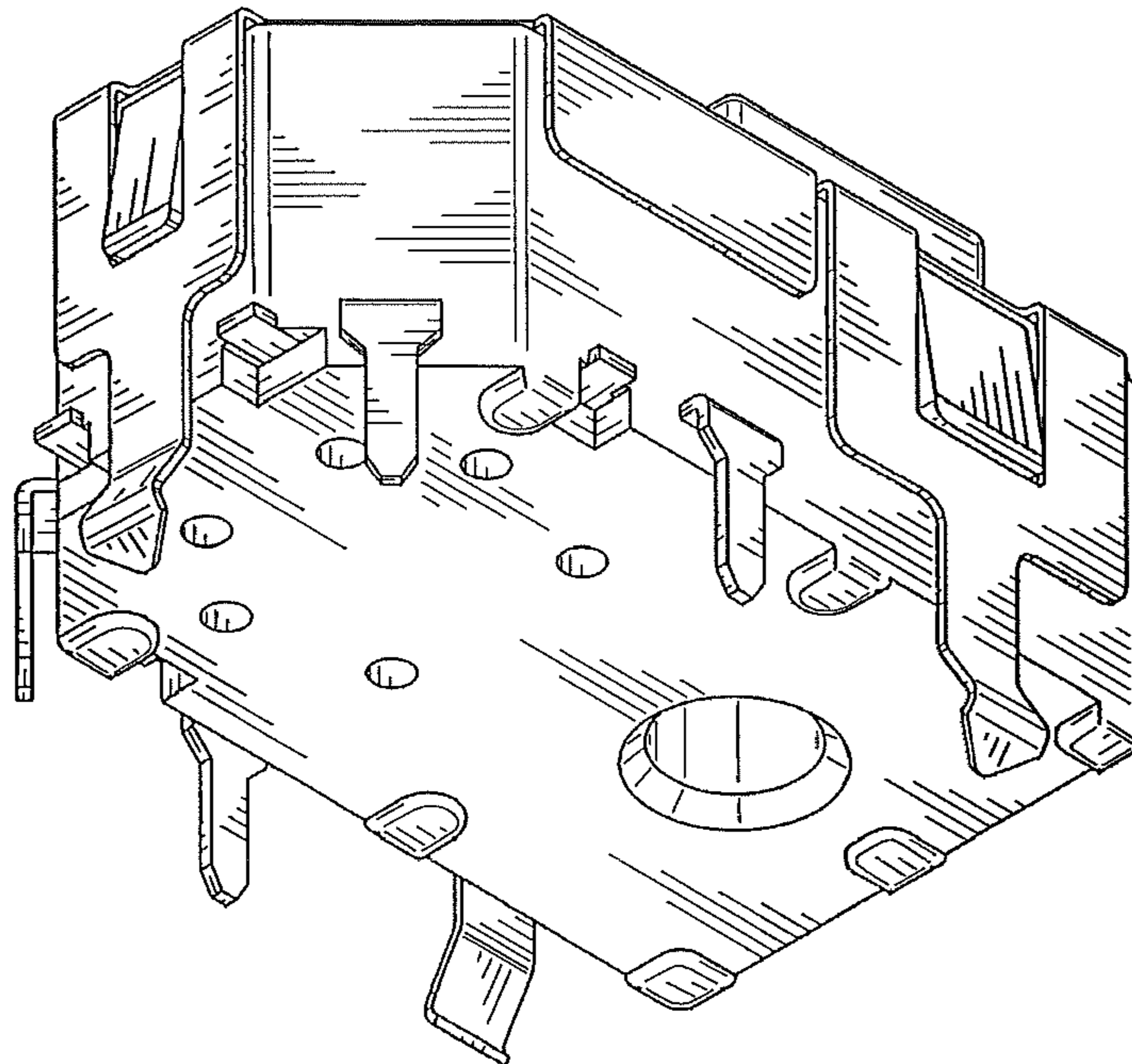


FIG. 11

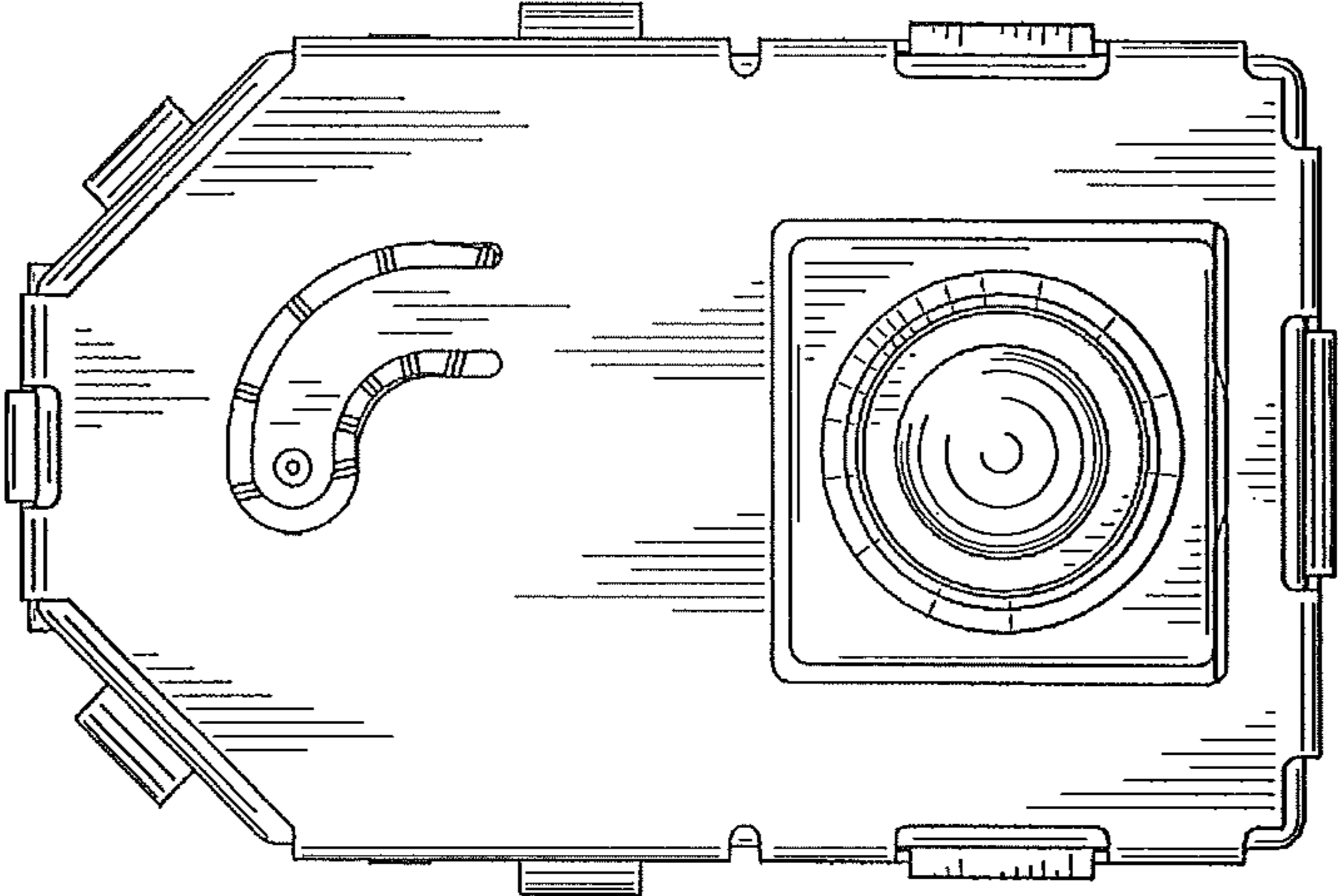


FIG. 12

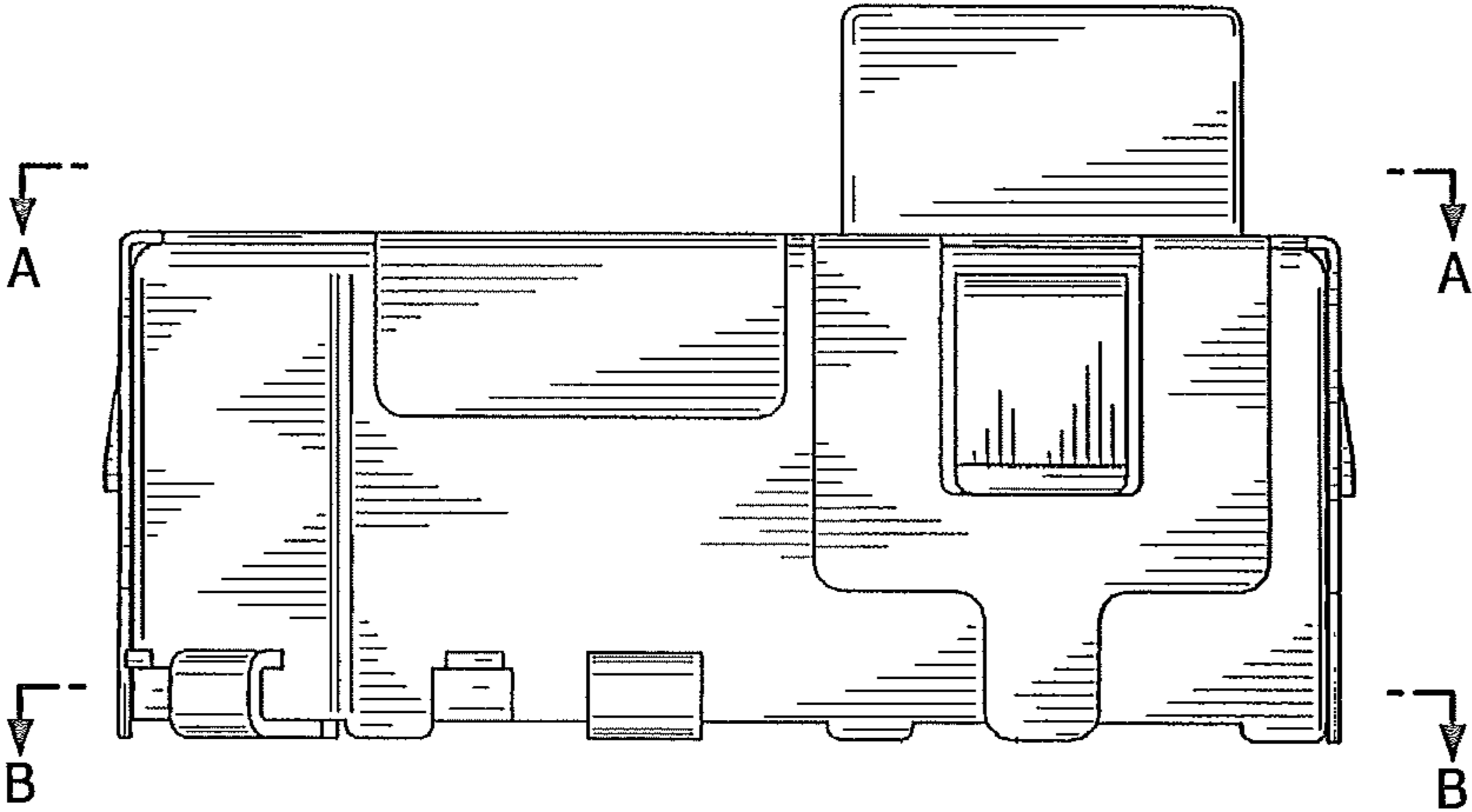


FIG. 13

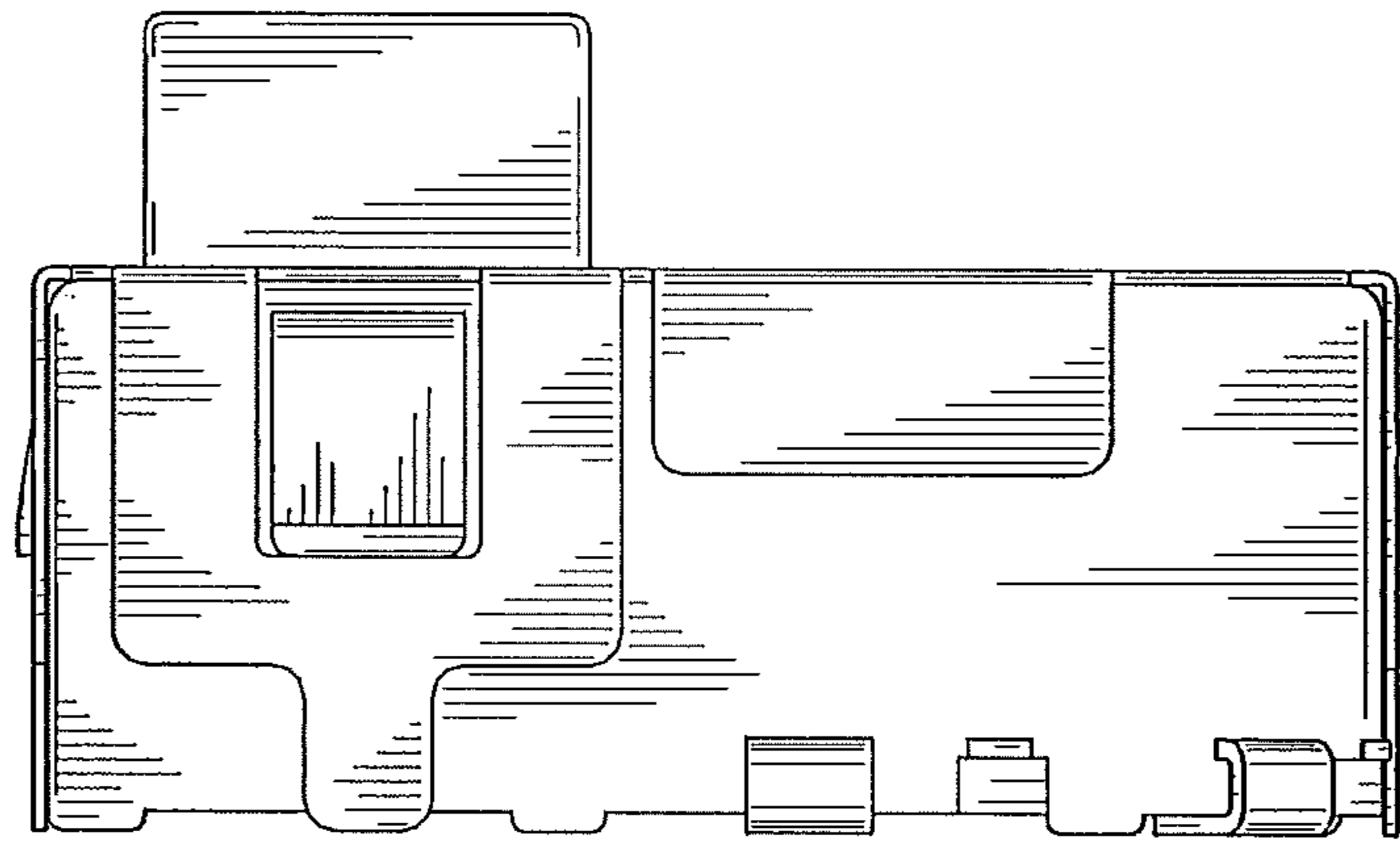


FIG. 14

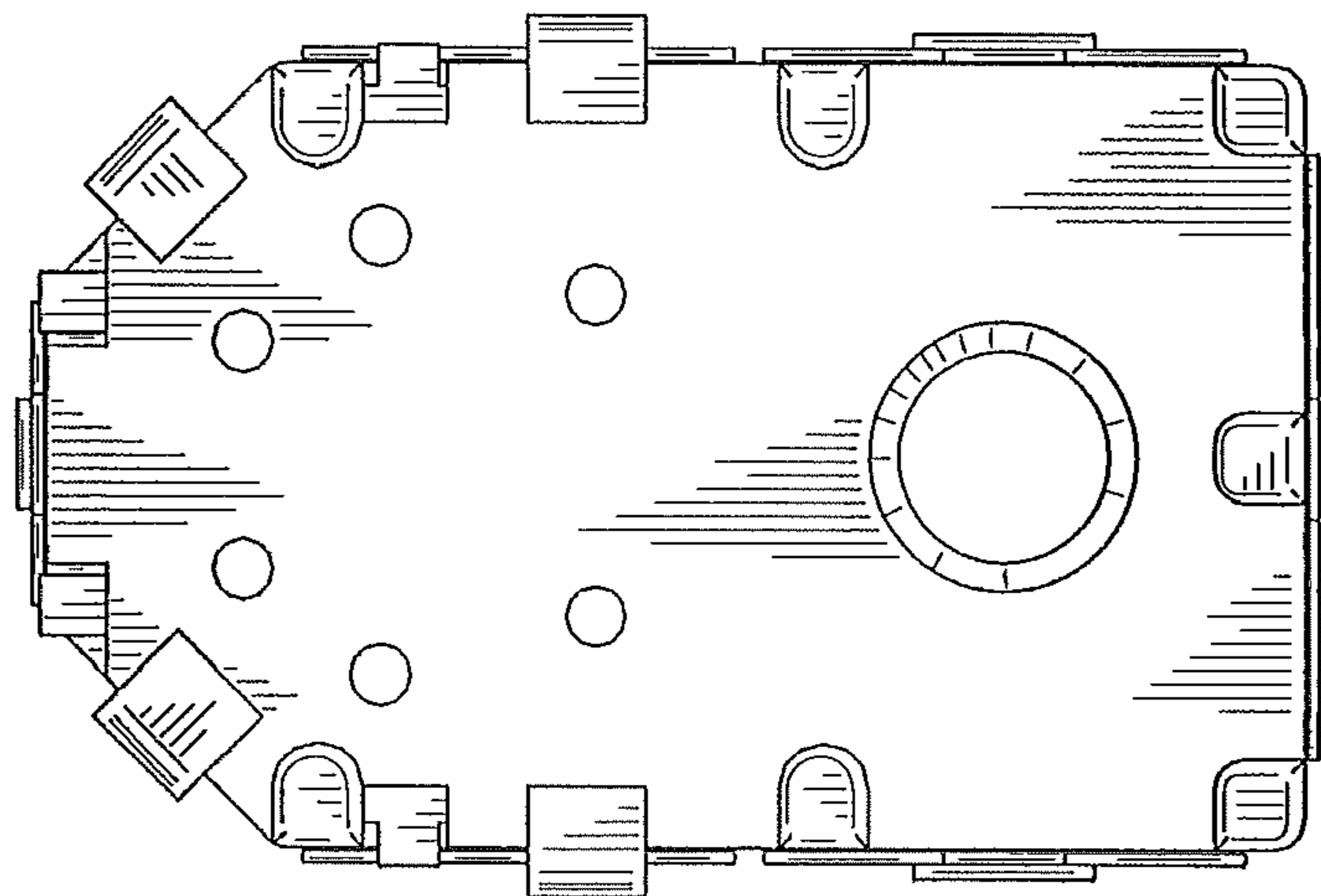


FIG. 15

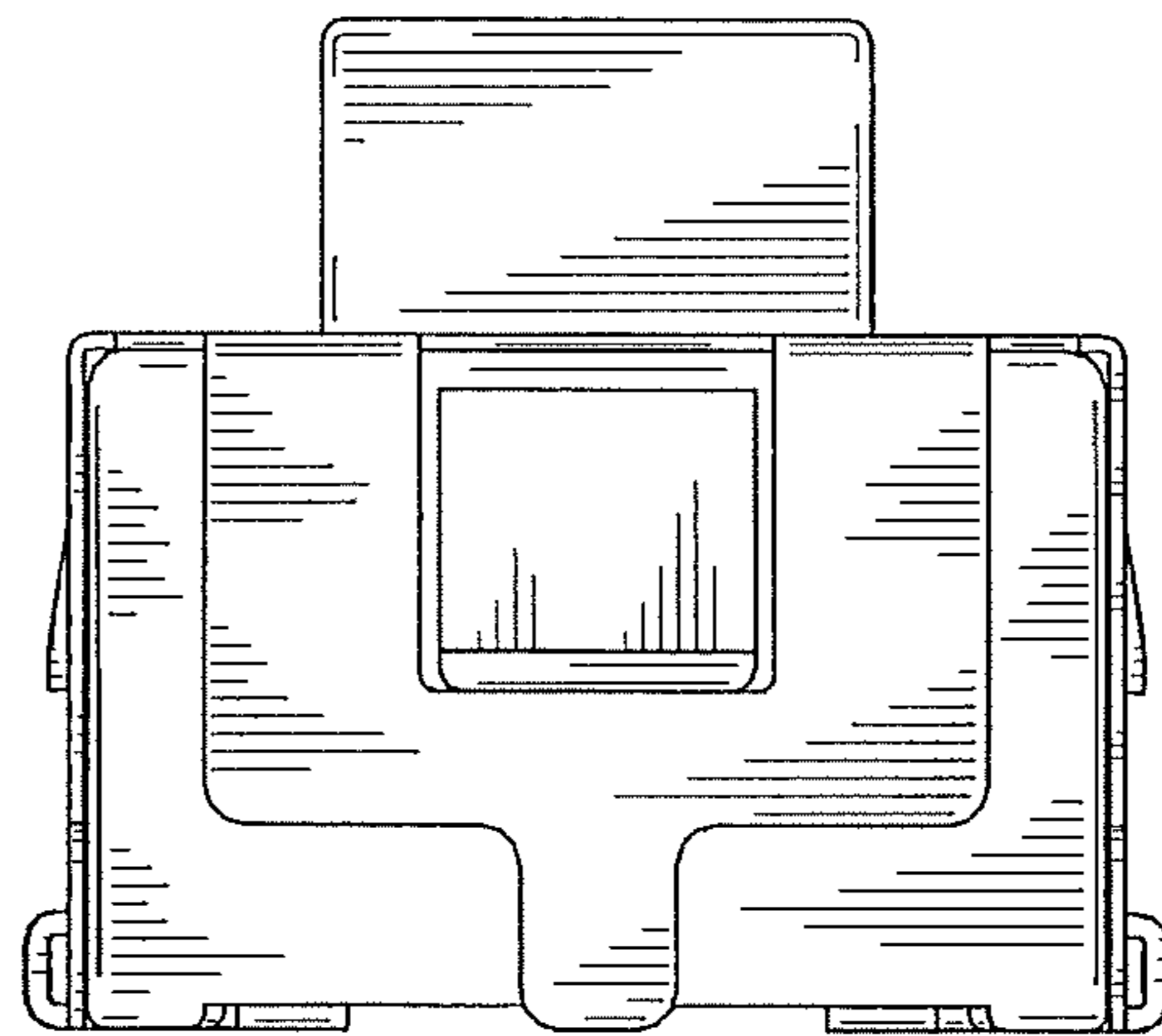


FIG. 16

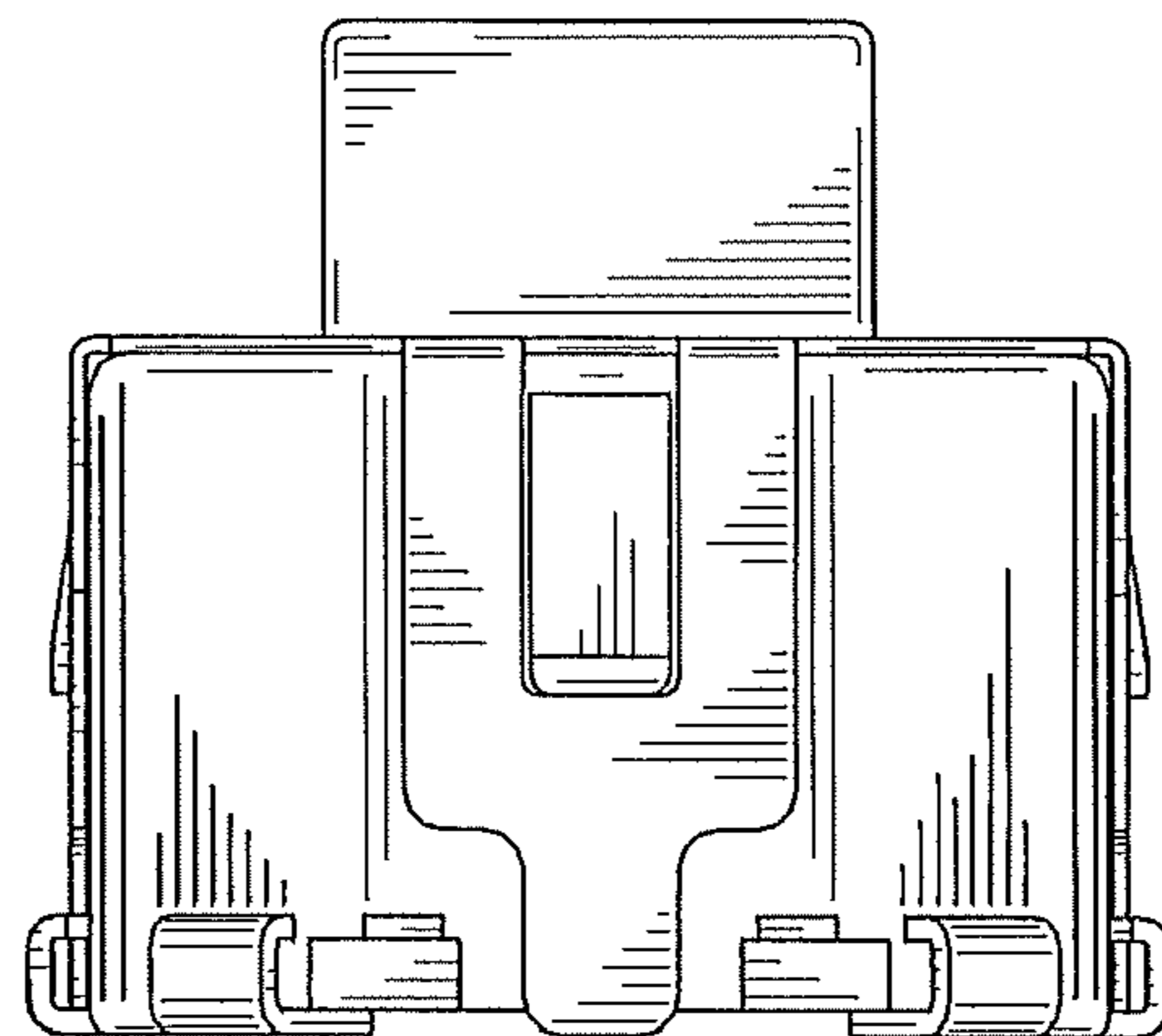


FIG. 17

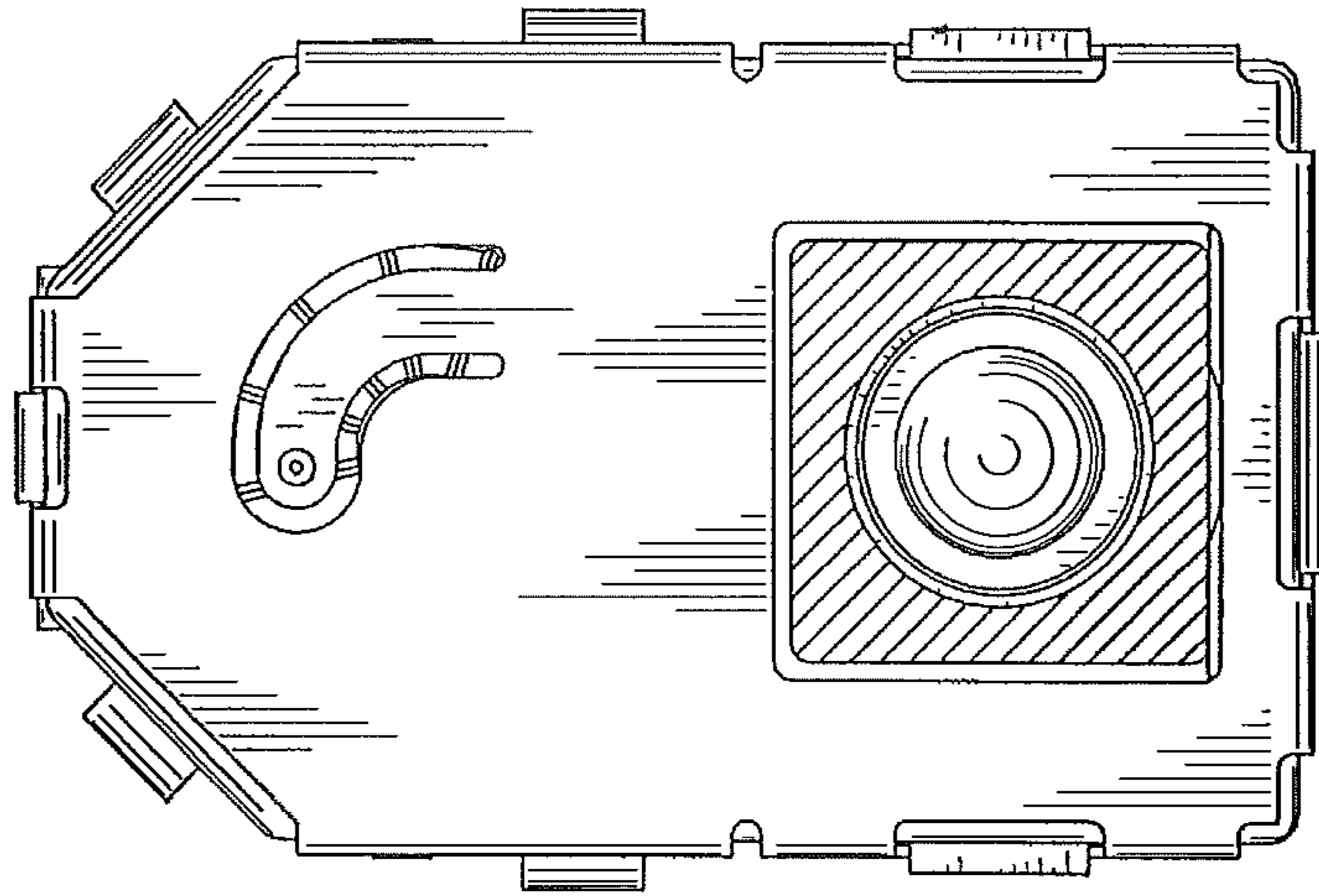


FIG. 18

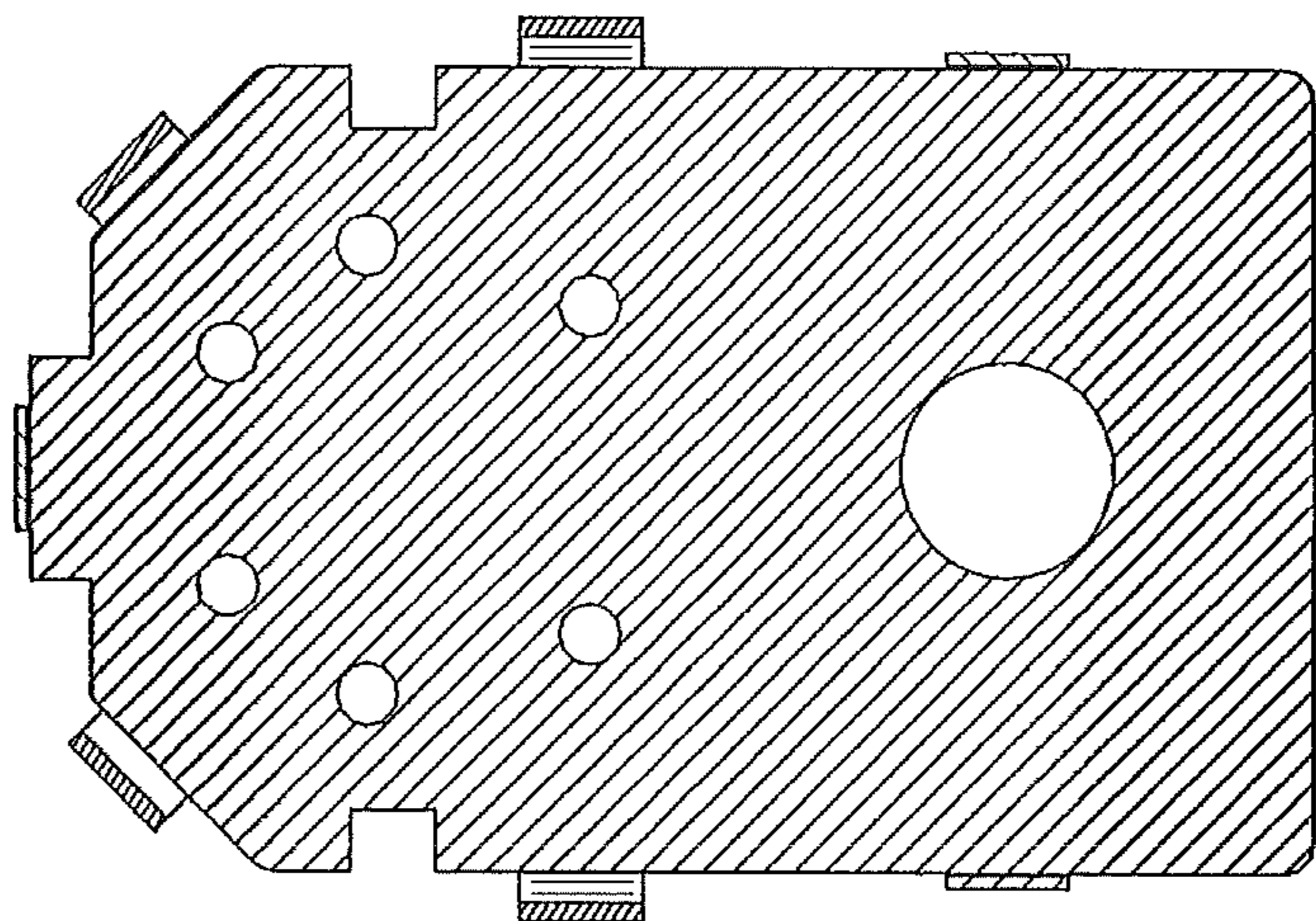


FIG. 19

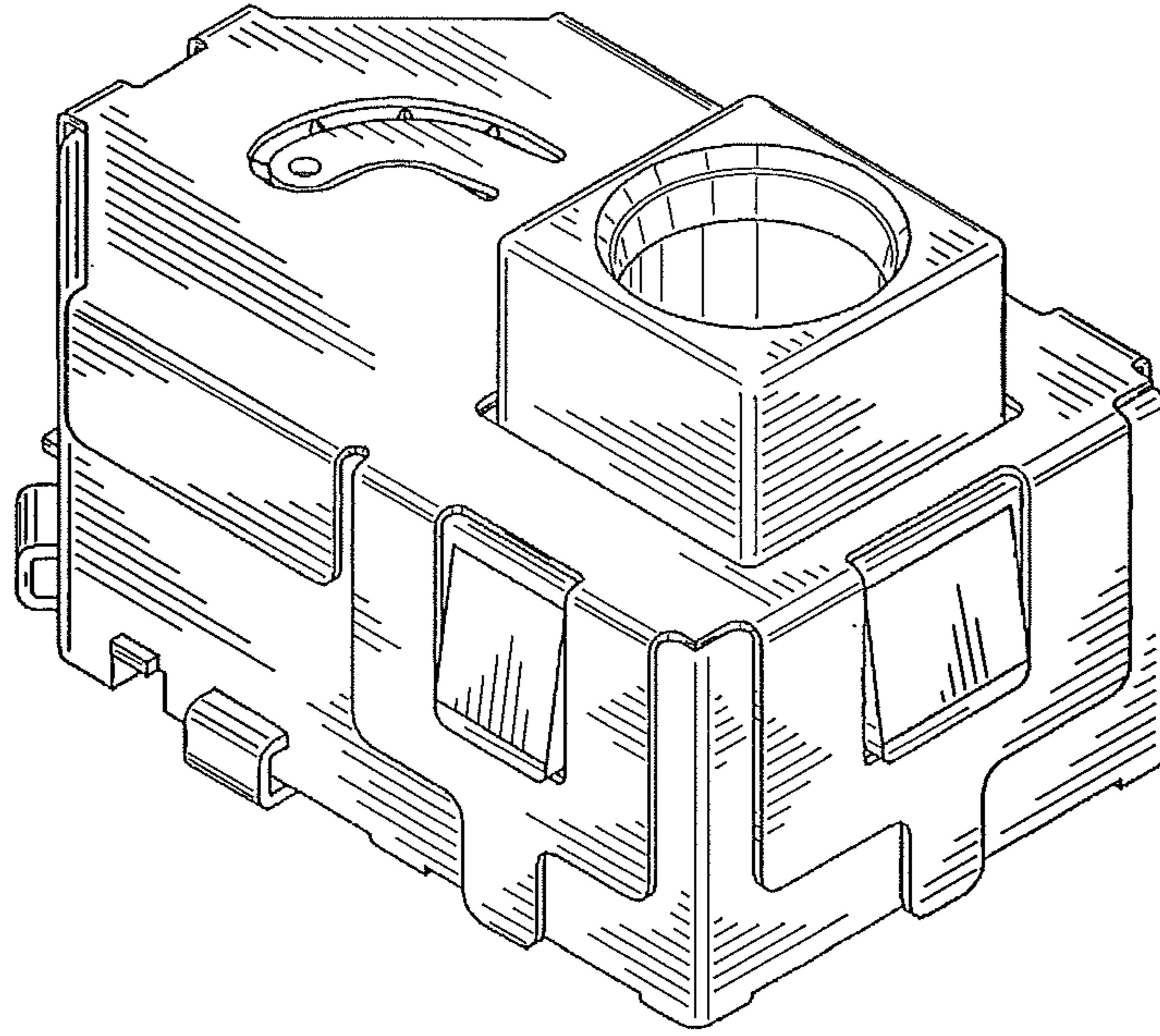


FIG. 20

