



US00D720702S

(12) **United States Design Patent**
Baldwin et al.

(10) **Patent No.:** **US D720,702 S**
(45) **Date of Patent:** **** Jan. 6, 2015**

(54) **QUARTER ROUND CABLE COVER**

(71) Applicants: **Jeffrey Baldwin**, Desert Hills, AZ (US);
John Klein, Gilbert, AZ (US); **Ryan Liebengood**, Gilbert, AZ (US)

(72) Inventors: **Jeffrey Baldwin**, Desert Hills, AZ (US);
John Klein, Gilbert, AZ (US); **Ryan Liebengood**, Gilbert, AZ (US)

(**) Term: **14 Years**

(21) Appl. No.: **29/488,416**

(22) Filed: **Apr. 18, 2014**

(51) **LOC (10) Cl.** **13-03**

(52) **U.S. Cl.**
USPC **D13/155**

(58) **Field of Classification Search**
USPC D13/155, 123, 133, 153, 154, 156, 157,
D13/184, 199; D8/349, 356, 394, 396;
174/66, 68.1, 68.3, 72 A, 71 C, 95, 262,
174/658; 138/156, 165, 166, 167;
248/316.1, 316.7
See application file for complete search history.

(56) **References Cited**

U.S. PATENT DOCUMENTS

4,530,865 A * 7/1985 Sprenger 428/35.7
D295,521 S * 5/1988 Mockett D13/155
D371,343 S * 7/1996 Loftus D13/155

D498,211 S 11/2004 Thibault
D503,968 S 4/2005 Ruddick
D503,969 S 4/2005 Ruddick
D504,938 S 5/2005 Ruddick
D539,752 S 4/2007 Ruddick
D541,143 S 4/2007 Ruddick
D576,721 S * 9/2008 Nishio et al. D23/393
7,696,434 B2 4/2010 Ruddick
D669,035 S 10/2012 Ruddick
D671,502 S 11/2012 Ruddick
D683,318 S 5/2013 Ruddick

* cited by examiner

Primary Examiner — Derrick Holland

(74) *Attorney, Agent, or Firm* — Ryan Liebengood

(57) **CLAIM**

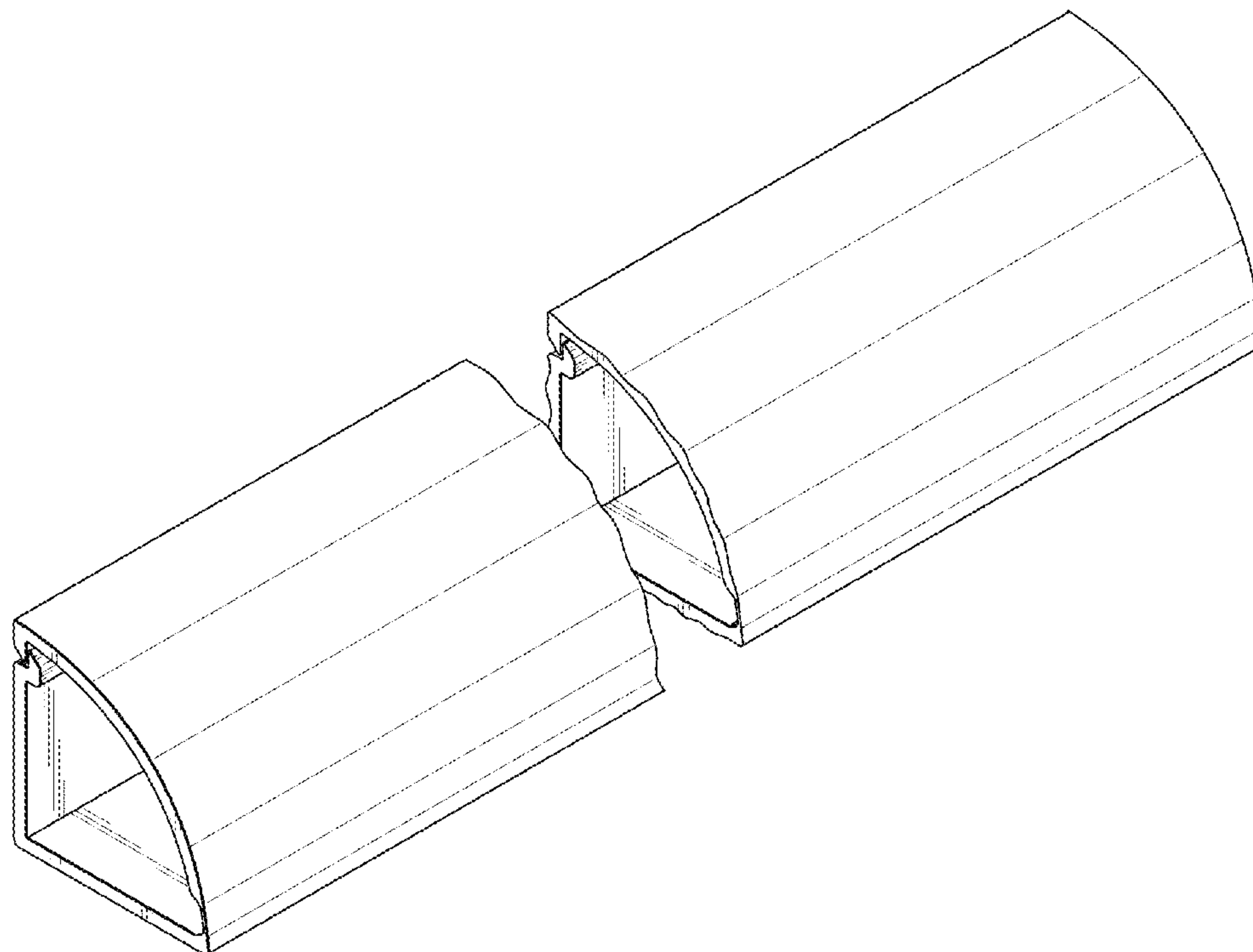
We claim the ornamental design for a quarter round cable cover, as shown and described.

DESCRIPTION

FIG. 1 is an end view of a quarter round cable cover showing our new design;
FIG. 2 is a perspective view thereof;
FIG. 3 is a bottom plan view thereof;
FIG. 4 is a top plan view thereof;
FIG. 5 is a rear elevational view thereof; and,
FIG. 6 is a front elevational view thereof.

The quarter round cable cover is shown with a symbolic break in its length. The appearance of any portion of the article between the break lines forms no part of the claimed design.

1 Claim, 3 Drawing Sheets



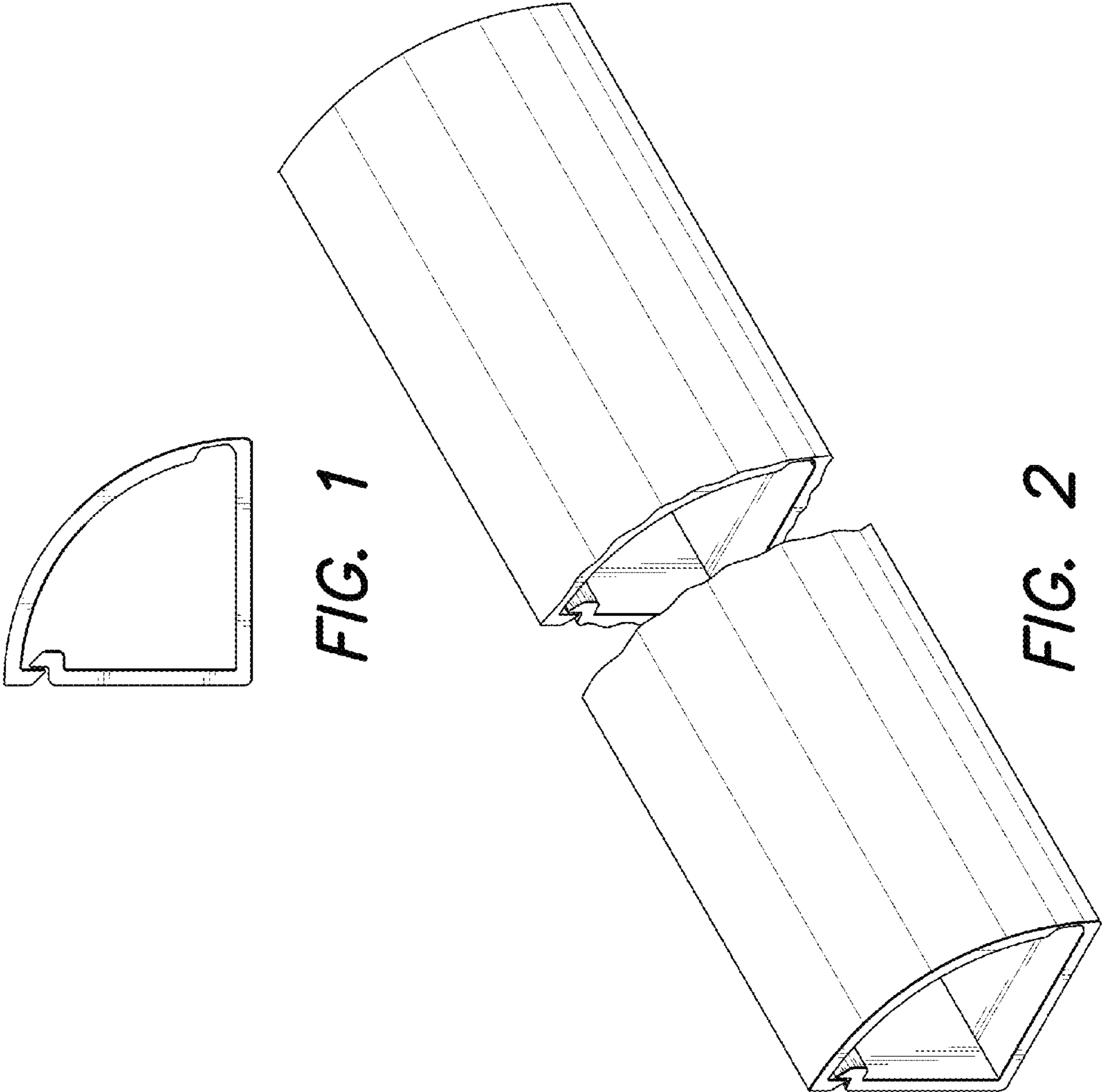


FIG. 1

FIG. 2

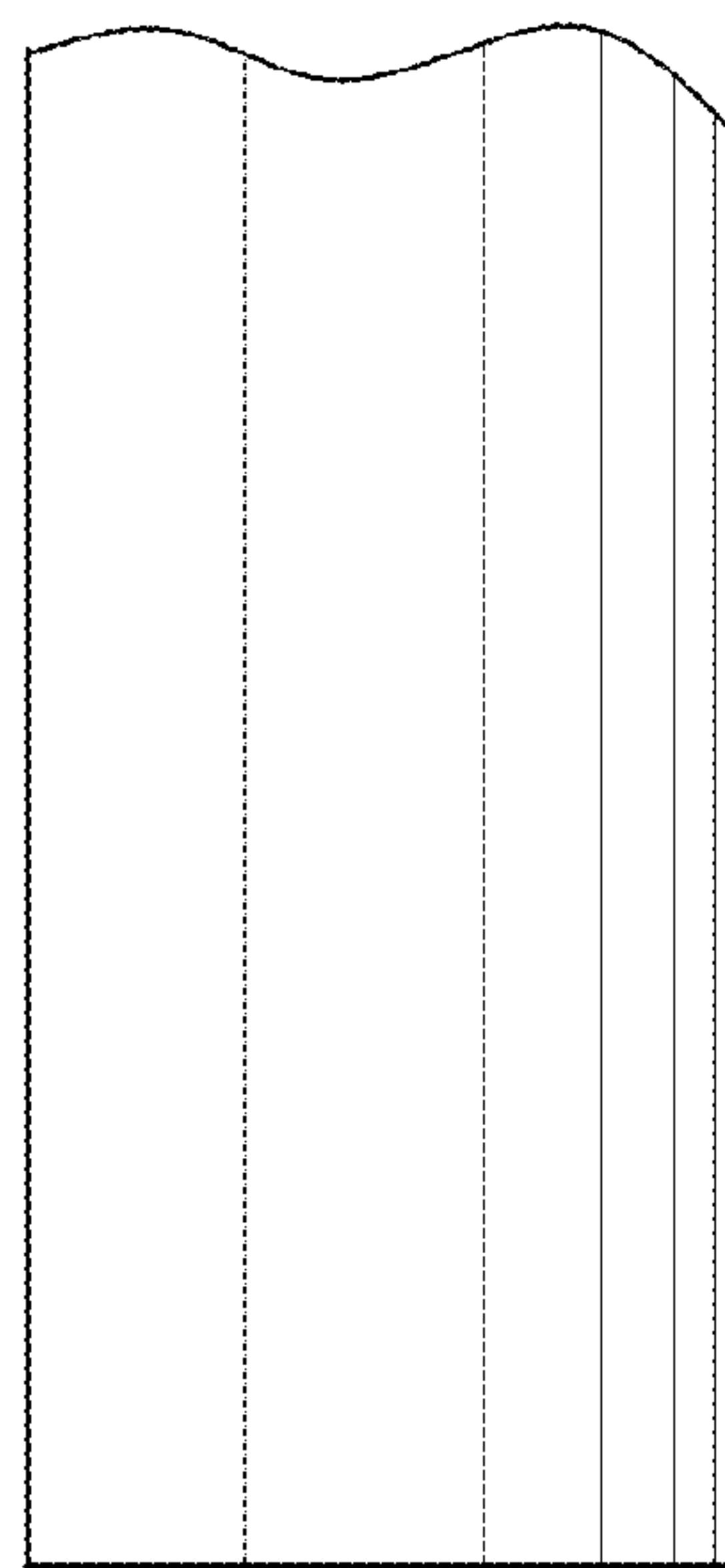
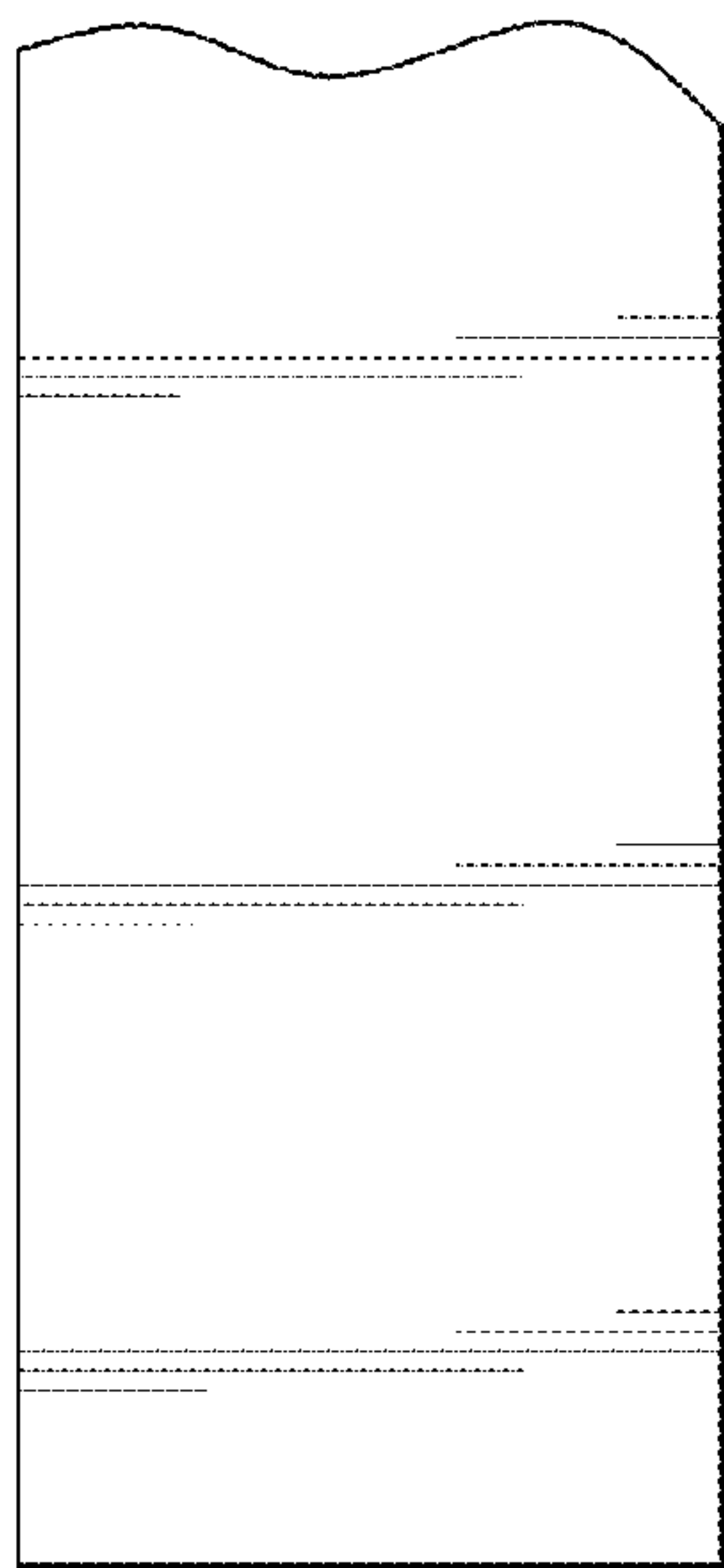
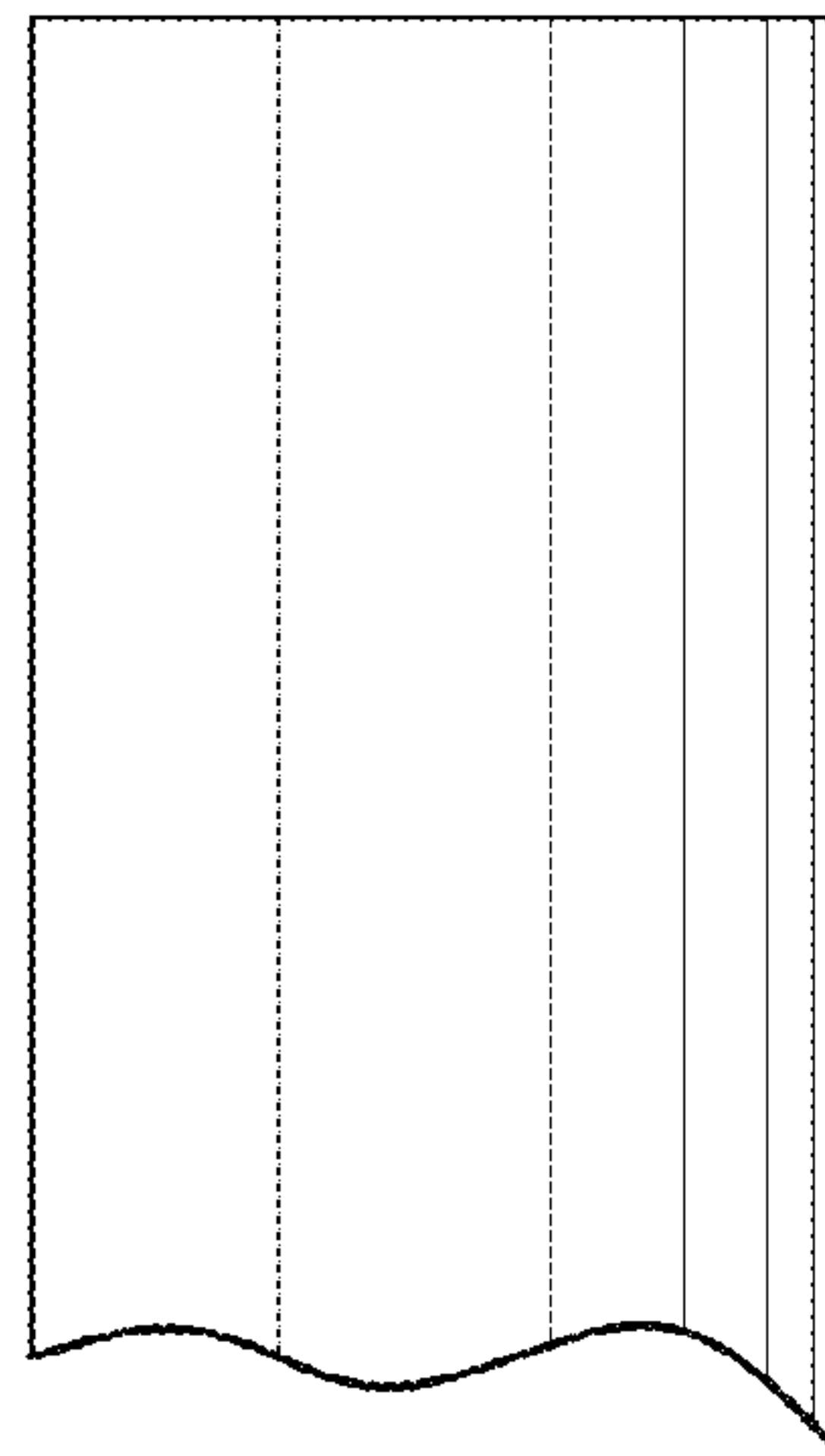
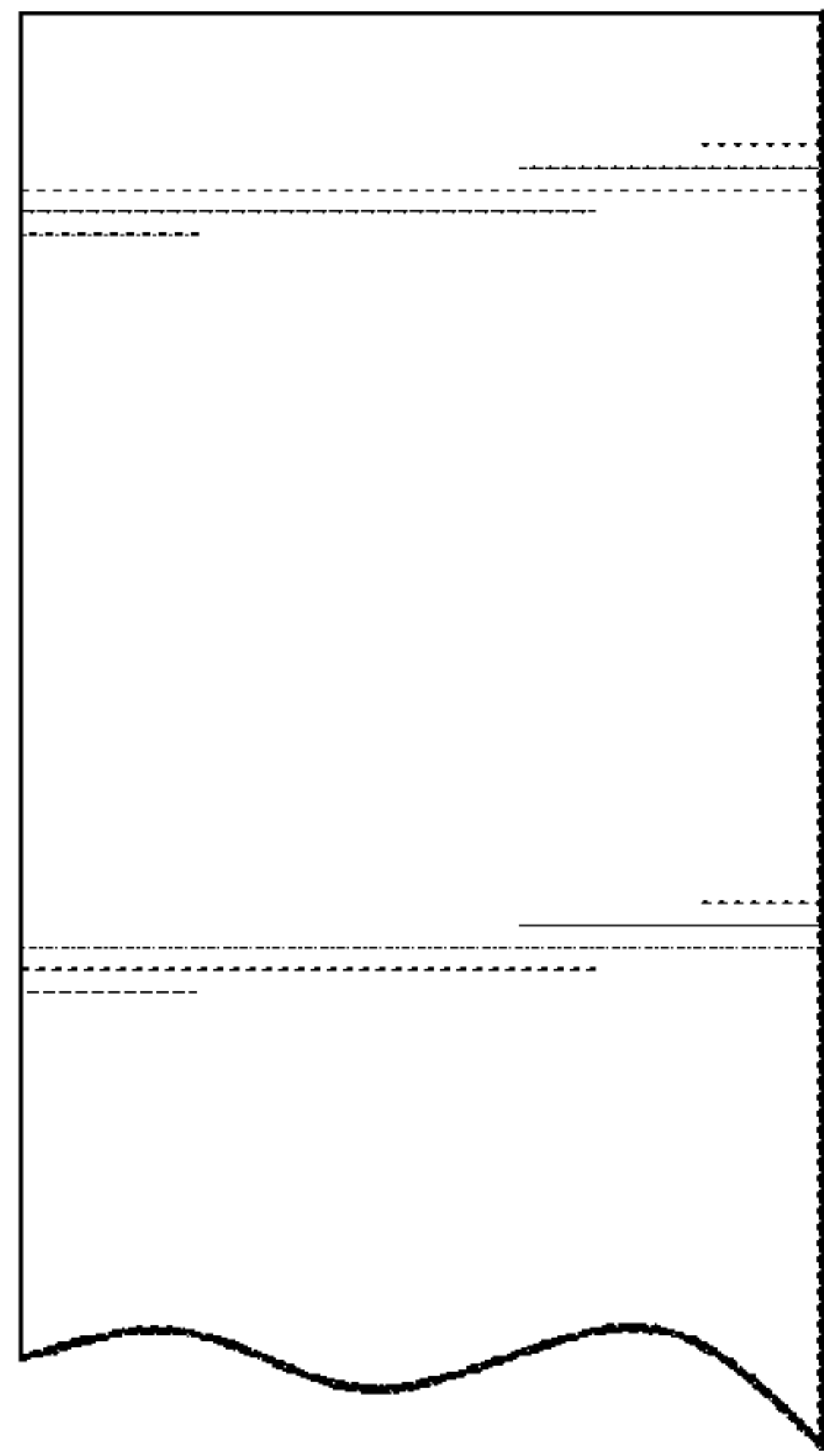


FIG. 3

FIG. 4

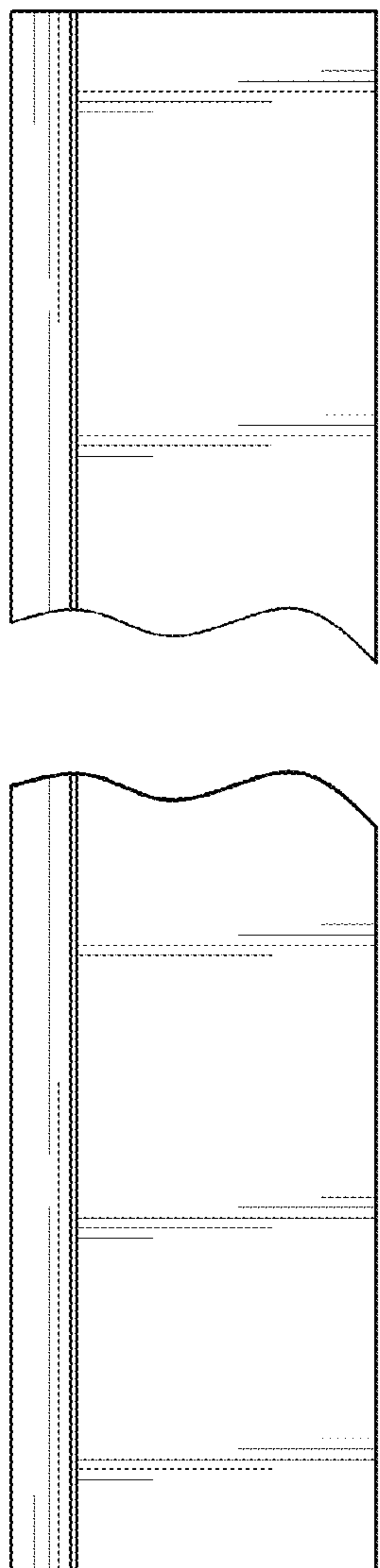


FIG. 5

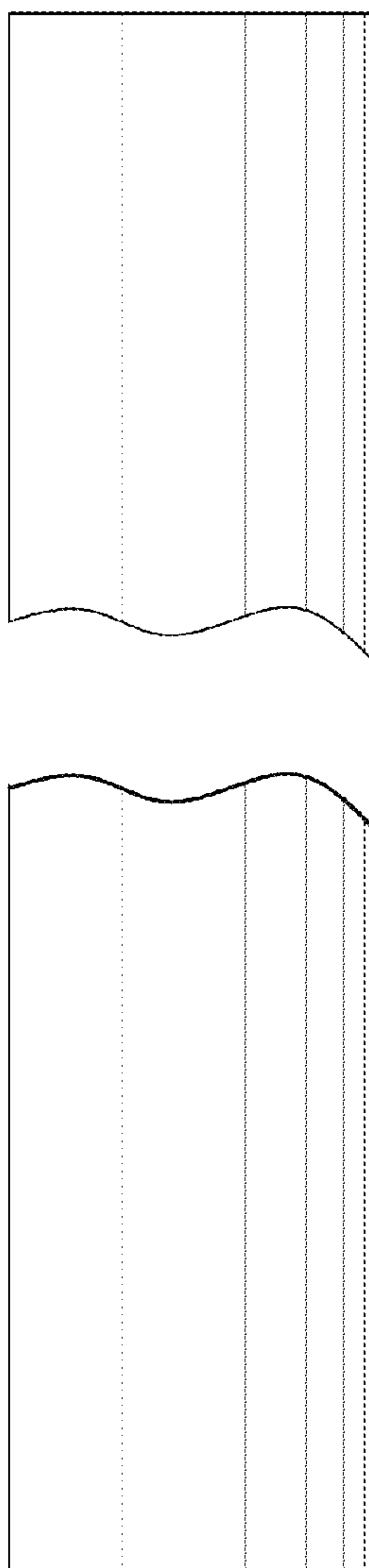


FIG. 6