

US00D720700S

(12) **United States Design Patent**
Evers et al.

(10) **Patent No.:** **US D720,700 S**
(45) **Date of Patent:** **** Jan. 6, 2015**

(54) **BANANA PLUG ADAPTER**

(75) Inventors: **Maaike Louise Evers**, San Francisco, CA (US); **Joe Freeman Britt, Jr.**, Los Altos, CA (US); **Michael Simonian**, San Francisco, CA (US)

(73) Assignee: **Google Inc.**, Mountain View, CA (US)

(**) Term: **14 Years**

(21) Appl. No.: **29/431,770**

(22) Filed: **Sep. 11, 2012**

(51) **LOC (10) Cl.** **13-03**

(52) **U.S. Cl.**
USPC **D13/151**

(58) **Field of Classification Search**
USPC D13/133-134, 151, 155, 156, 184, 199;
D14/432-433; 439/583, 585, 730, 745,
439/807, 825-827; 174/68.1, 70 R, 72 C,
174/75 D, 74 A

See application file for complete search history.

(56) **References Cited**

U.S. PATENT DOCUMENTS

3,697,931	A *	10/1972	Achten	439/430
3,828,305	A *	8/1974	Hogendobler	439/585
4,468,083	A *	8/1984	Lee et al.	439/730
4,824,405	A *	4/1989	Derain	439/807
5,011,438	A *	4/1991	Awbrey	439/825
D544,448	S *	6/2007	Hull et al.	D13/151
7,955,144	B2 *	6/2011	Thoerner	439/825

OTHER PUBLICATIONS

Monoprice Copper Speaker Banana Plugs—Closed Screw Type. Available at: http://www.monoprice.com/products/product.asp?c_id=104&cp_id=10401&cs_id=1040115&p_id=2801&seq=1&format=2. Visited on Nov. 6, 2012.

Monoprice Copper Speaker Banana Plugs—Open Screw Type. Available at: http://www.monoprice.com/products/product.asp?c_id=104&cp_id=10401&cs_id=1040115&p_id=9437&seq=1&format=2. Visited on Nov. 6, 2012.

Ocelot Banana Plugs by Sewell—Open Screw Type. Available at: http://www.amazon.com/Ocelot-Banana-Plated-Connectors-Sewell/dp/B003BKW2K2/ref=sr_1_2?s=electronics&ie=UTF8&qid=1352237426&sr=1-2&keywords=banana+plug. Visited on Nov. 6, 2012.

Sewell Direct Silverback Banana Plugs. Available at: http://www.amazon.com/Sewell-Direct-SW-29751-6-Silverback-Banana/dp/B005E1CGZC/ref=sr_1_3?s=electronics&ie=UTF8&qid=1352237426&sr=1-3&keywords=banana+plug. Visited on Nov. 6, 2012.

GLS Audio Black Chrome Series—Generation 4 Gold Connector Banana Plugs. Available at: http://www.amazon.com/GLS-Audio-Chrome--Generation-Connector/dp/B000QIZXHG/ref=sr_1_12?s=electronics&ie=UTF8&qid=1352237426&sr=1-12&keywords=banana+plug. Visited on Nov. 6, 2012.

* cited by examiner

Primary Examiner — Derrick Holland

Assistant Examiner — Lauren Calve

(74) *Attorney, Agent, or Firm* — Morris & Kamlay LLP

(57) **CLAIM**

The ornamental design for a banana plug adapter, as shown and described.

DESCRIPTION

FIG. 1 is a perspective view of a banana plug adapter according to our design;

FIG. 2 is a second perspective view thereof;

FIG. 3 is an end view thereof;

FIG. 4 is a second end view thereof;

FIG. 5 is a side view thereof;

FIG. 6 is a second side view thereof;

FIG. 7 is an exploded perspective view thereof;

FIG. 8 is a second exploded perspective view thereof;

FIG. 9 is a third exploded perspective view thereof;

FIG. 10 is a fourth exploded perspective view thereof;

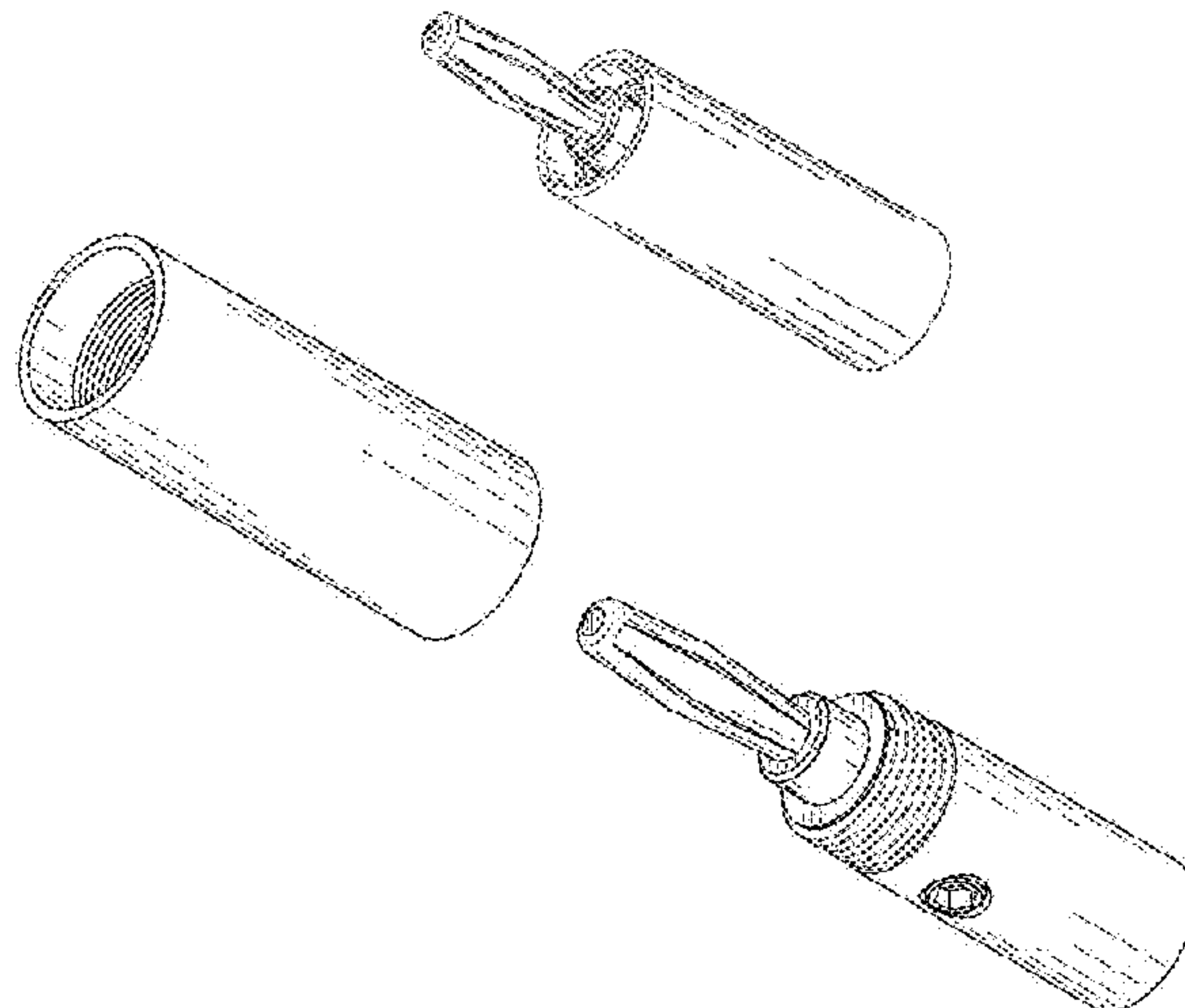
FIG. 11 is an exploded side view thereof;

FIG. 12 is a second exploded side view thereof; and,

FIG. 13 is a third exploded side view thereof.

The broken lines shown represent unclaimed subject matter and form no part of the claimed design.

1 Claim, 11 Drawing Sheets



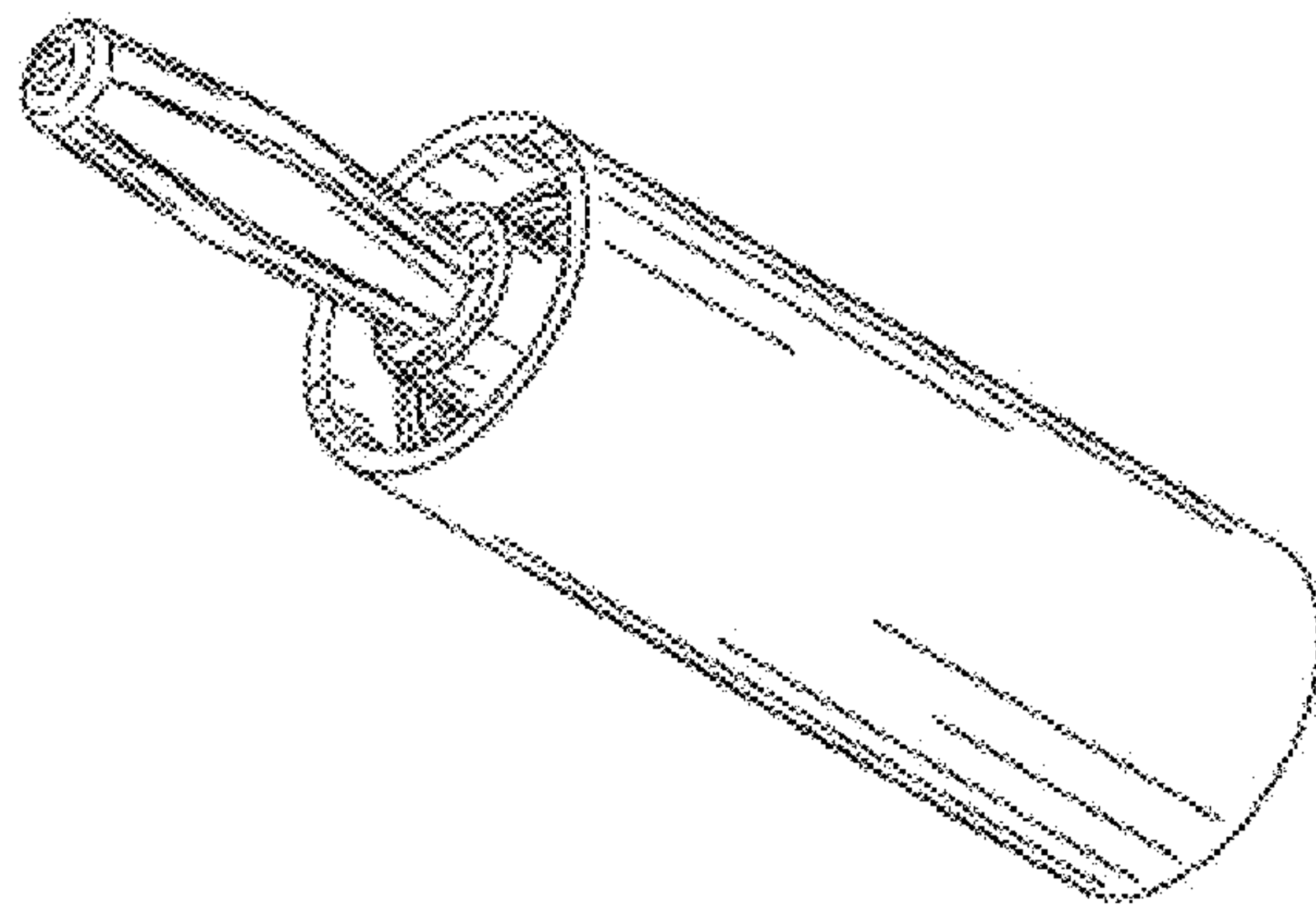


FIG. 1

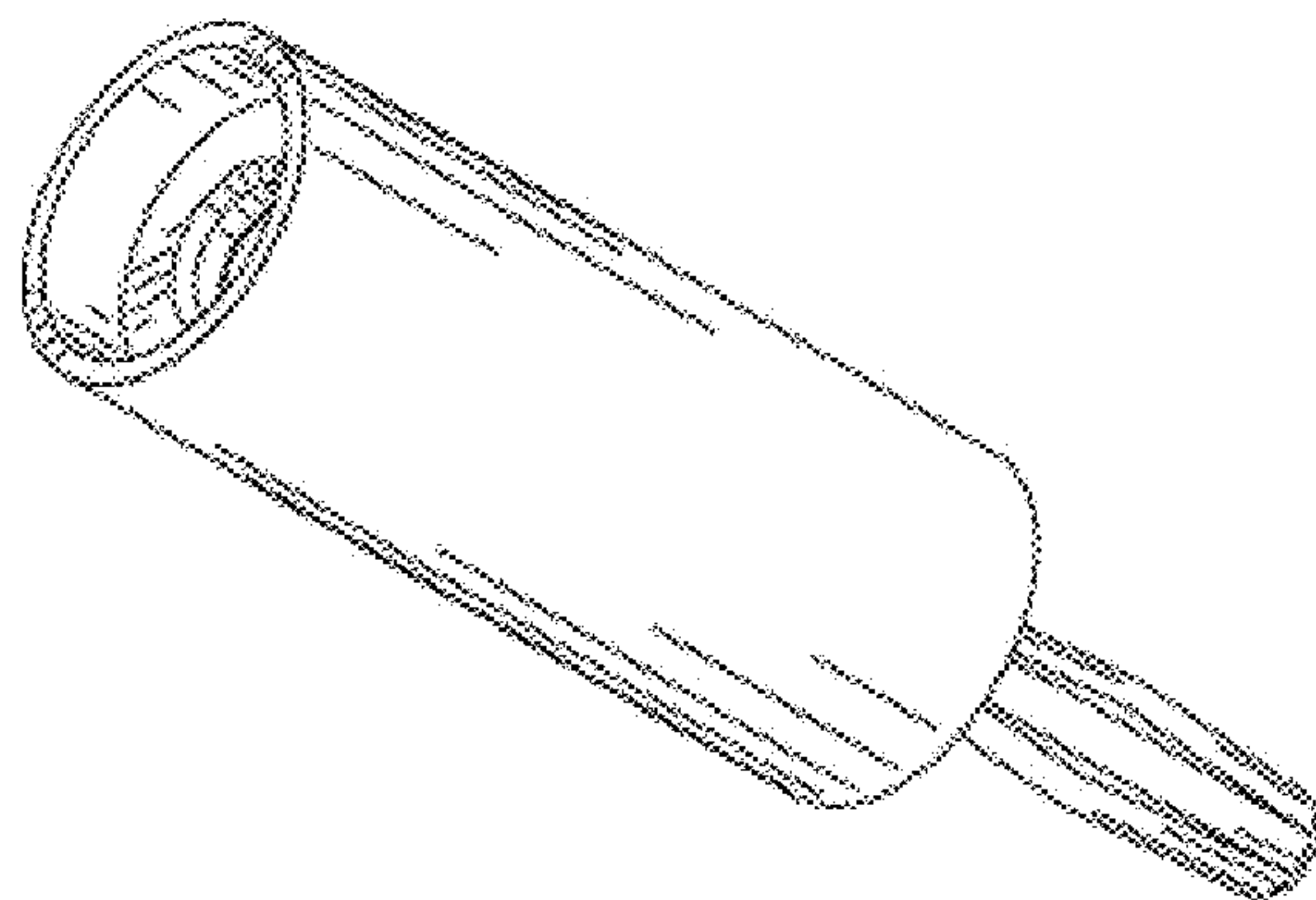


FIG. 2

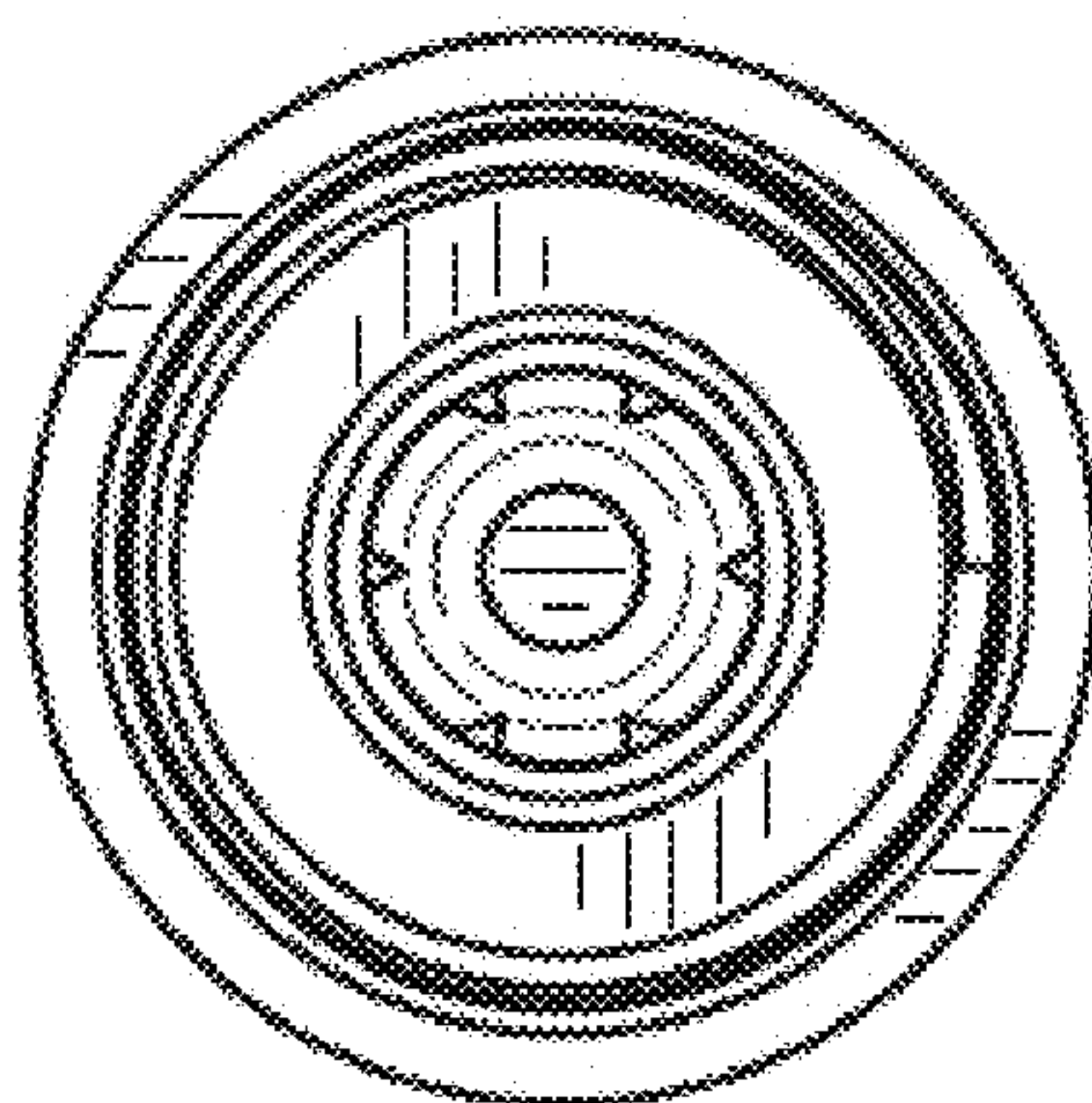
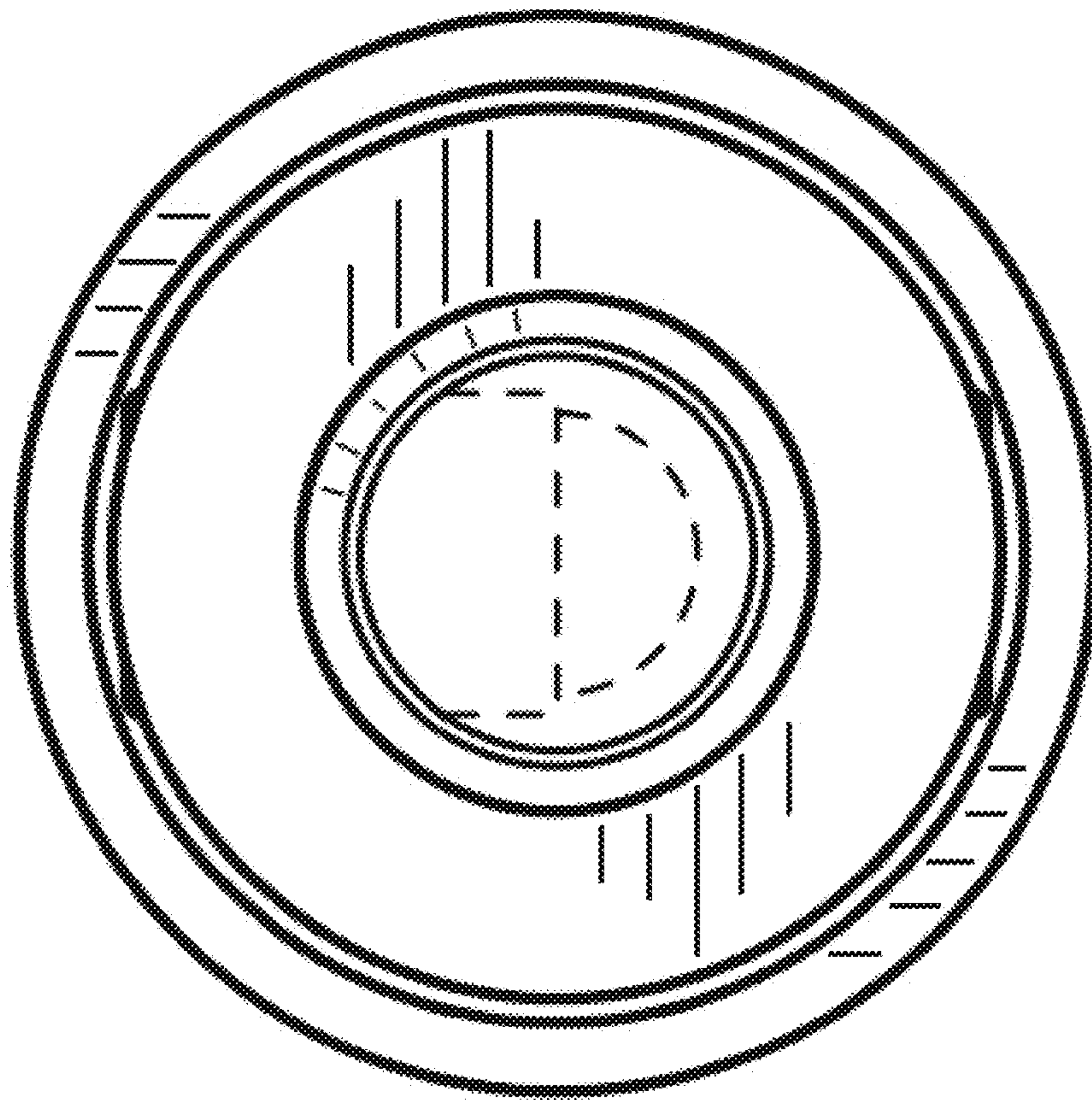


FIG. 3

FIG. 4



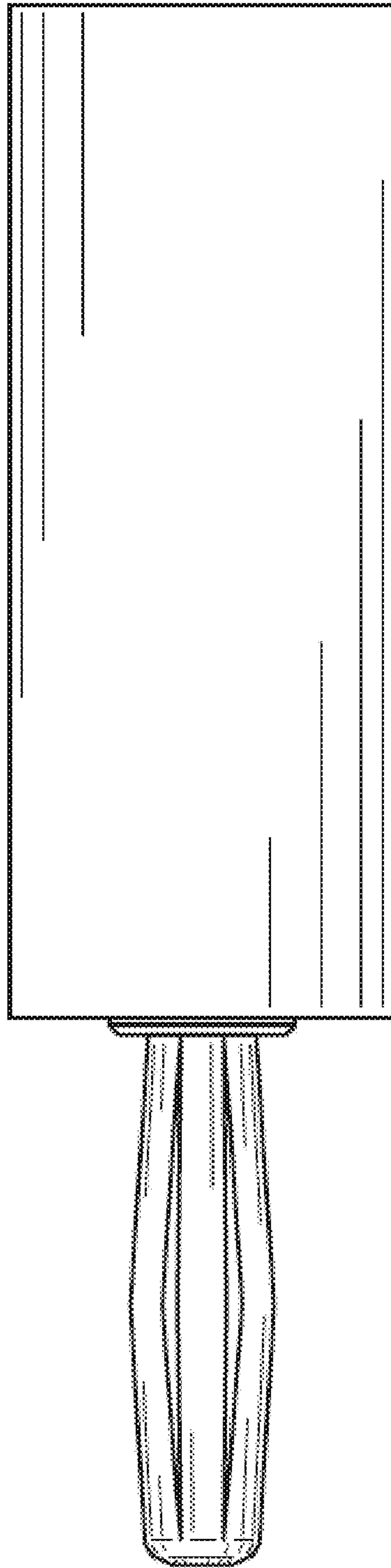


FIG. 5

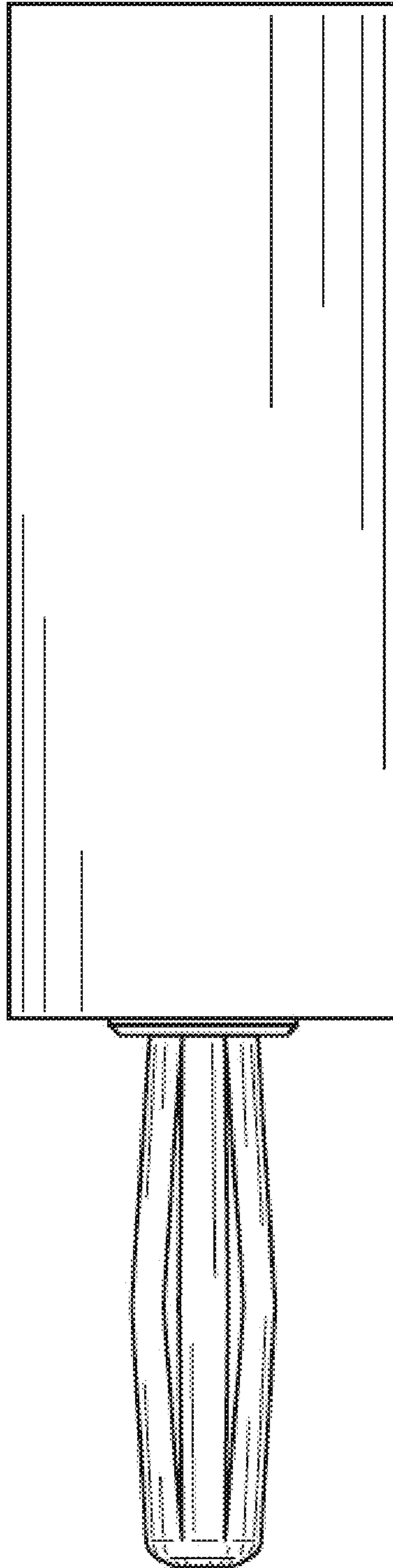


FIG. 6

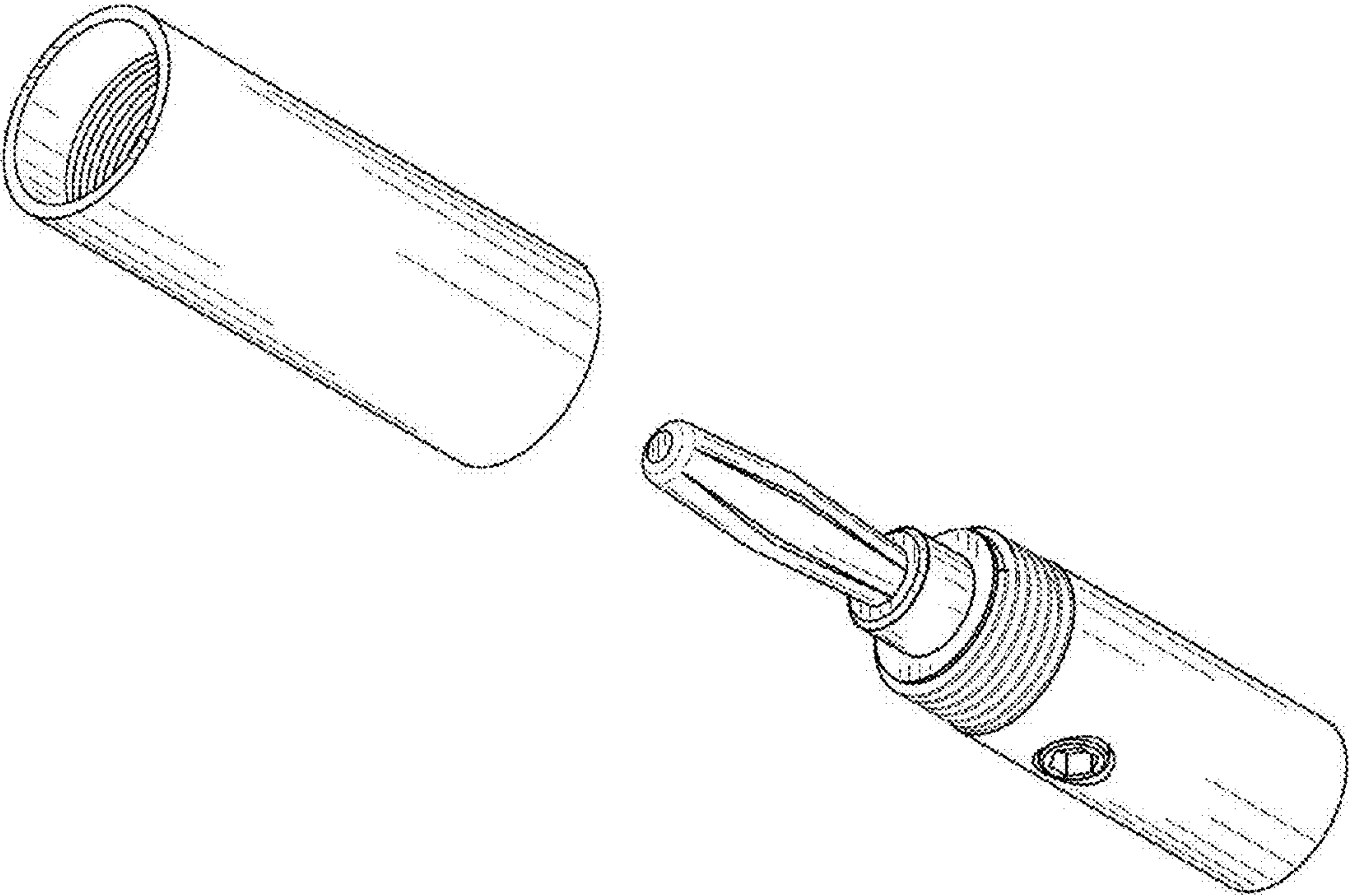


FIG. 7

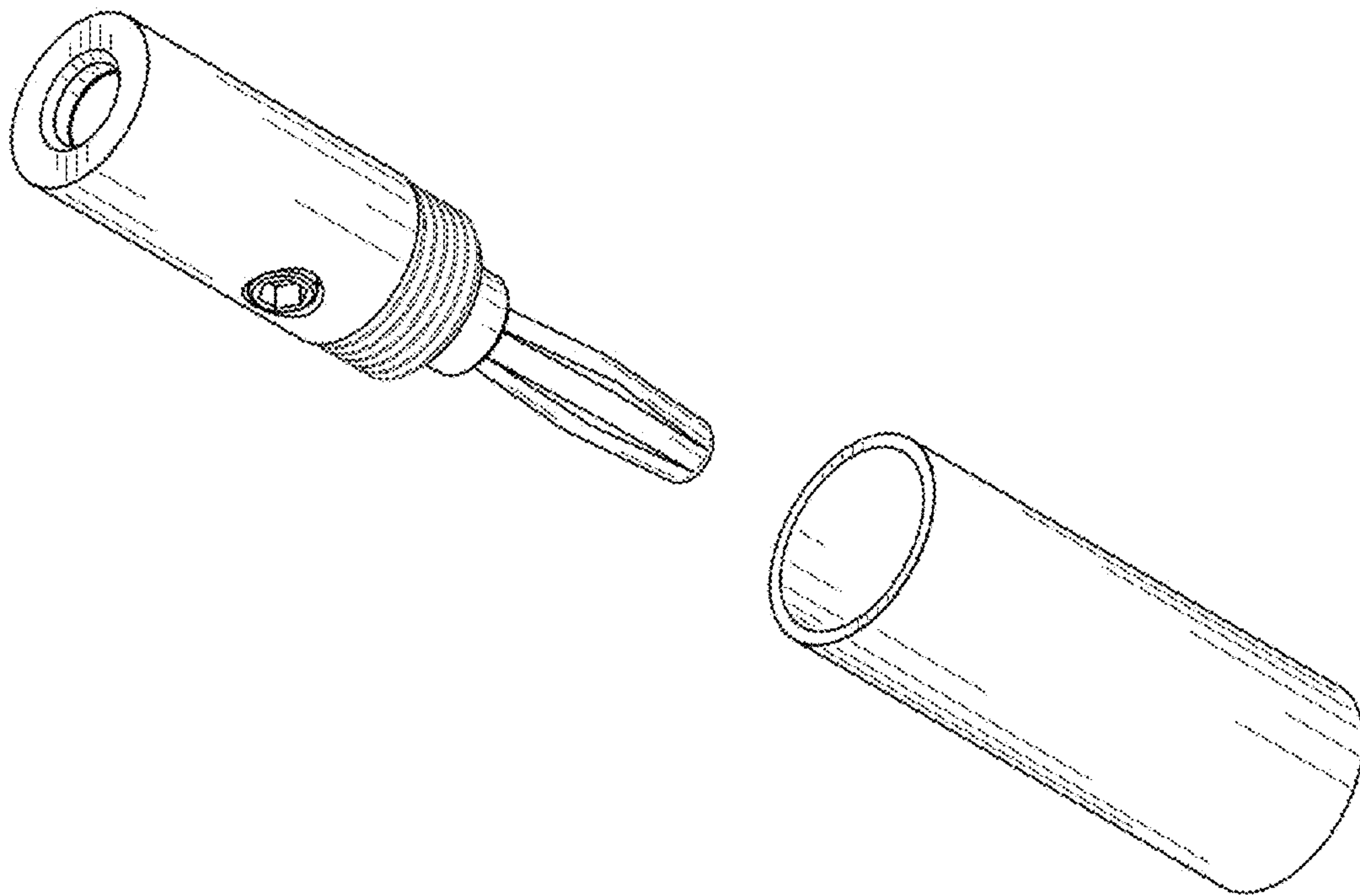


FIG. 8

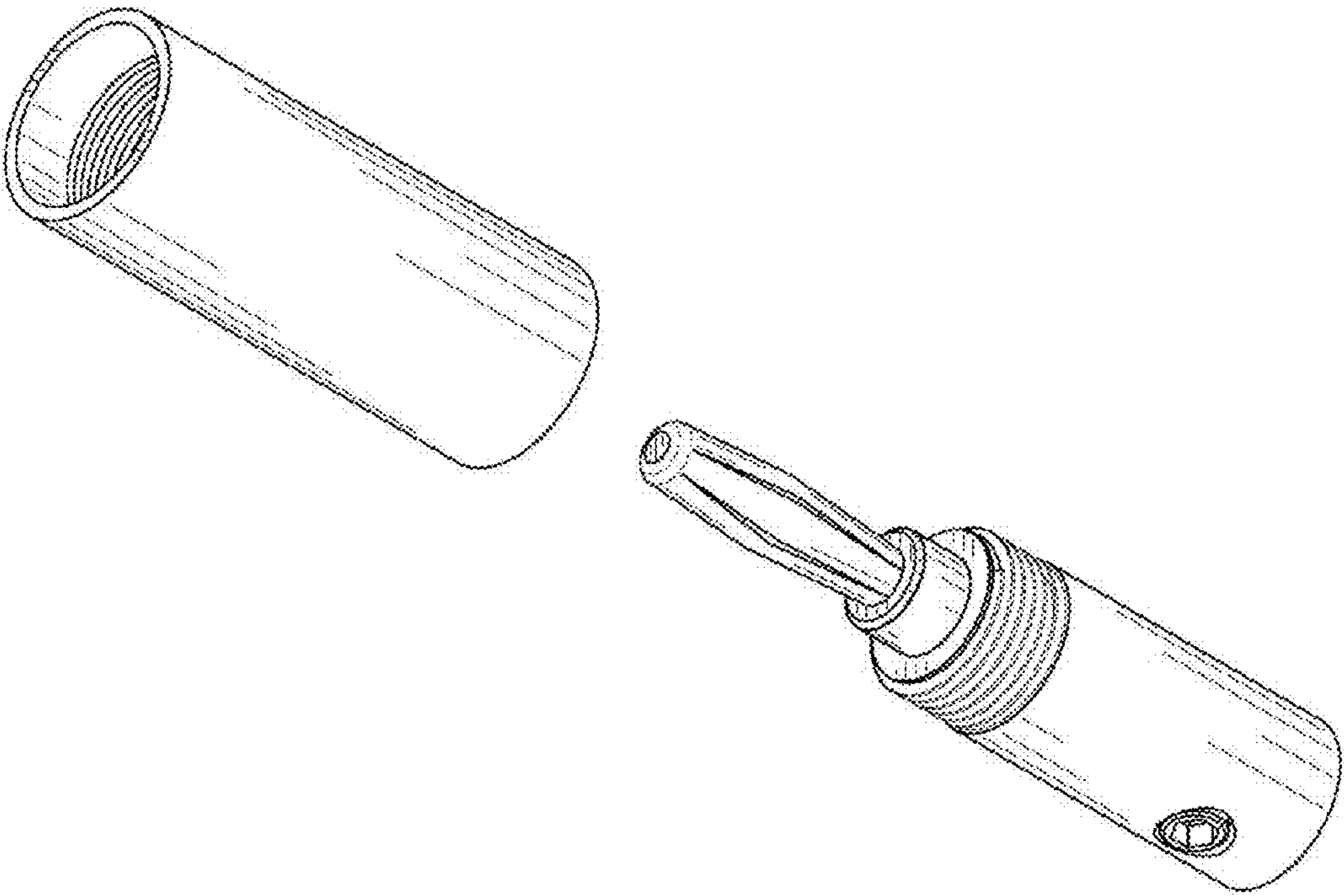


FIG. 9

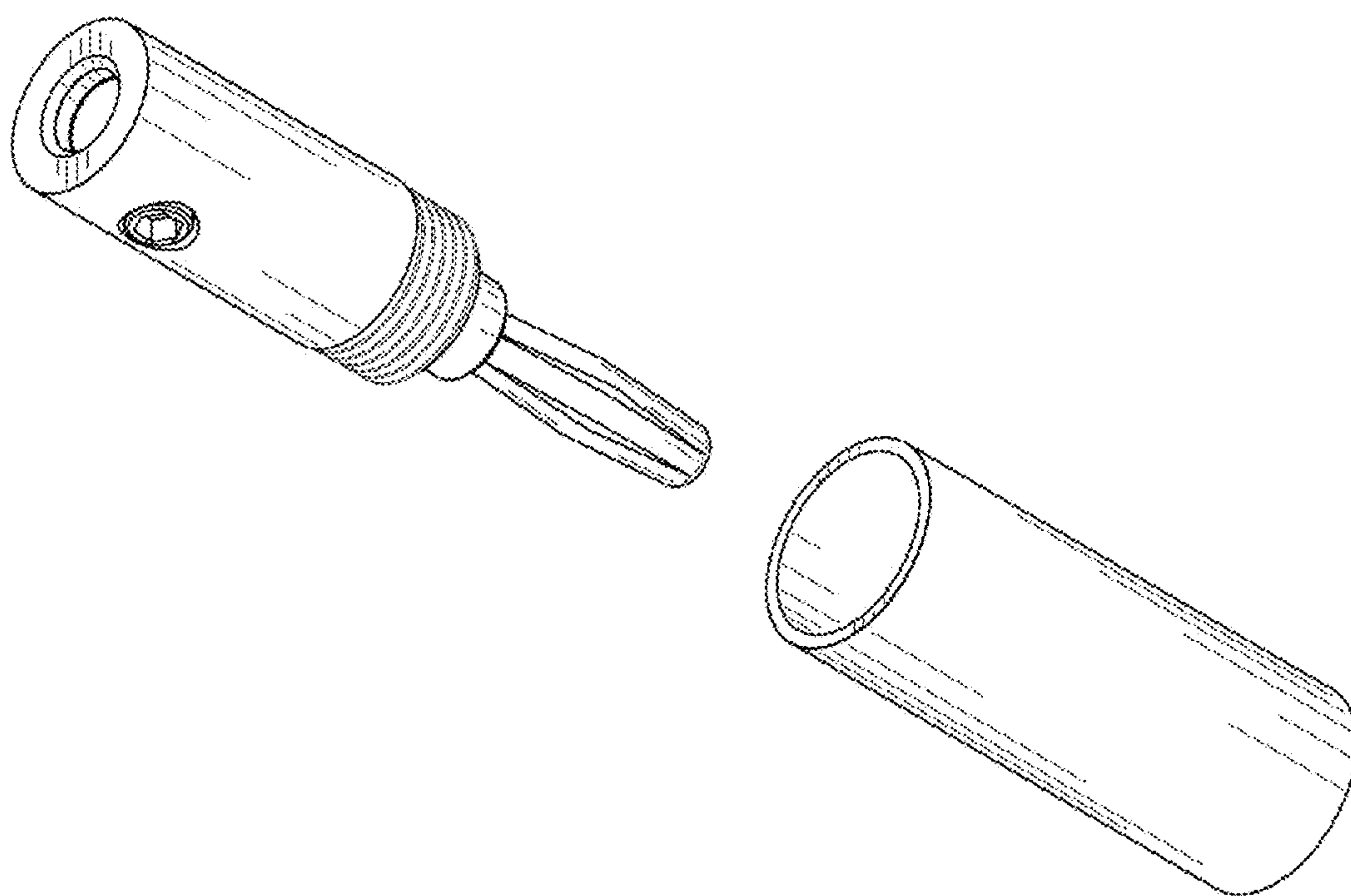


FIG. 10

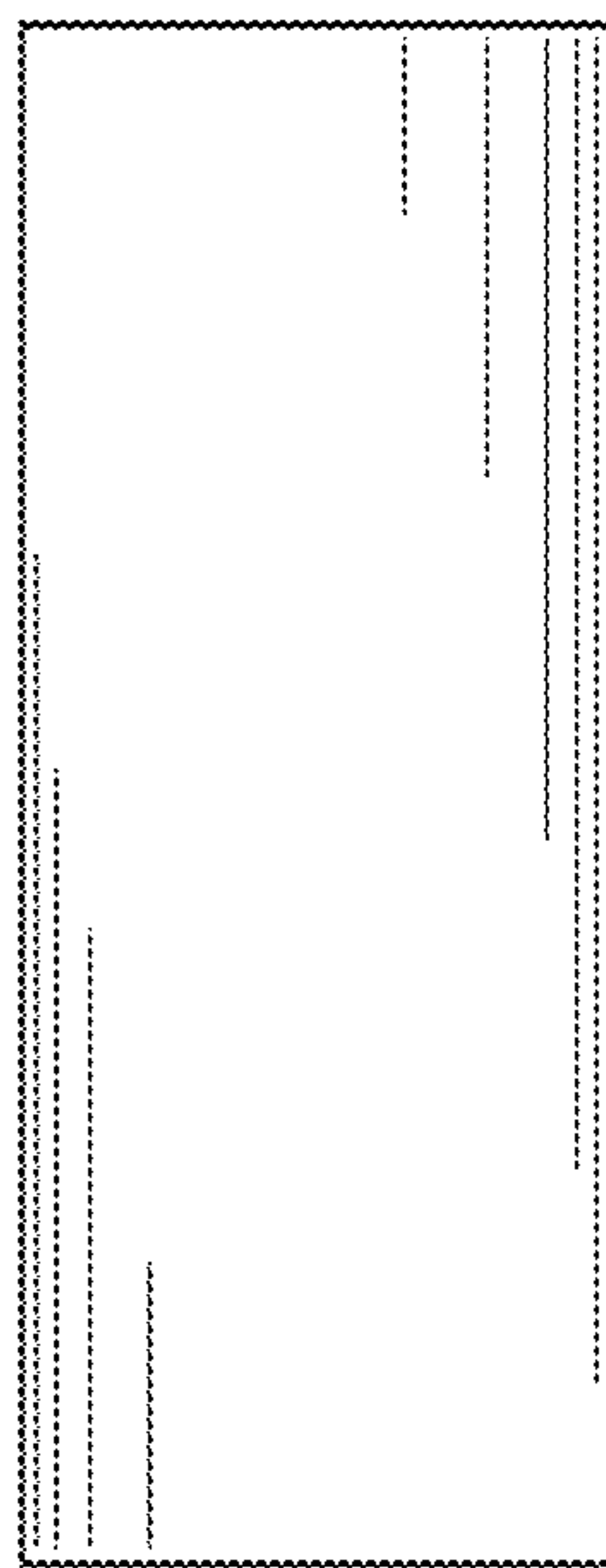
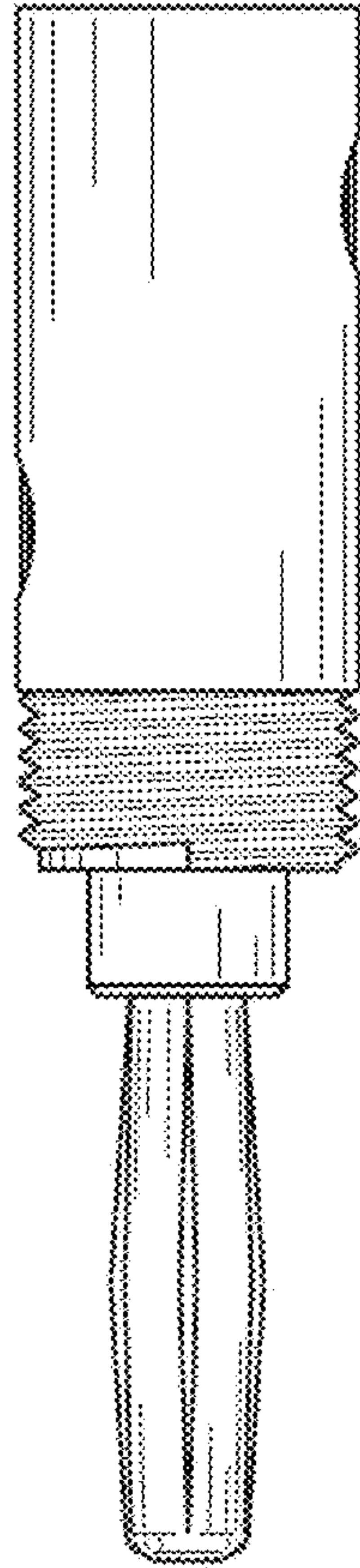


FIG. 11

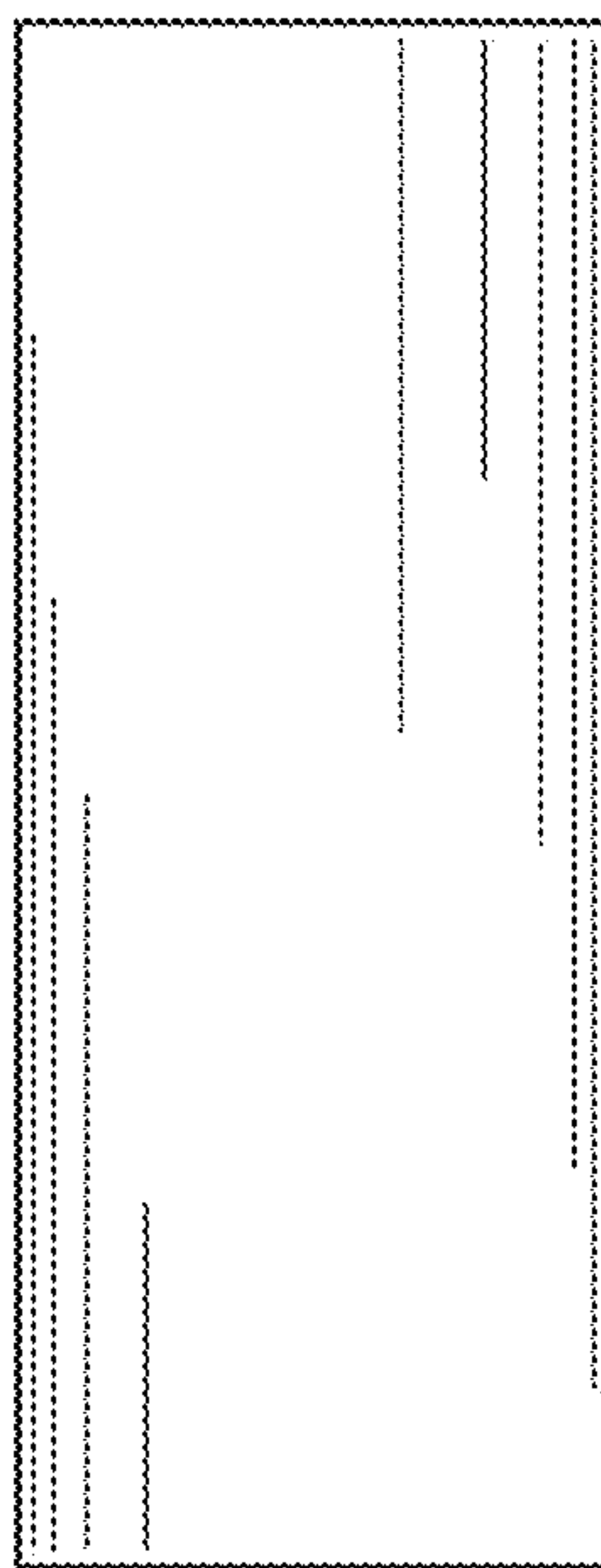
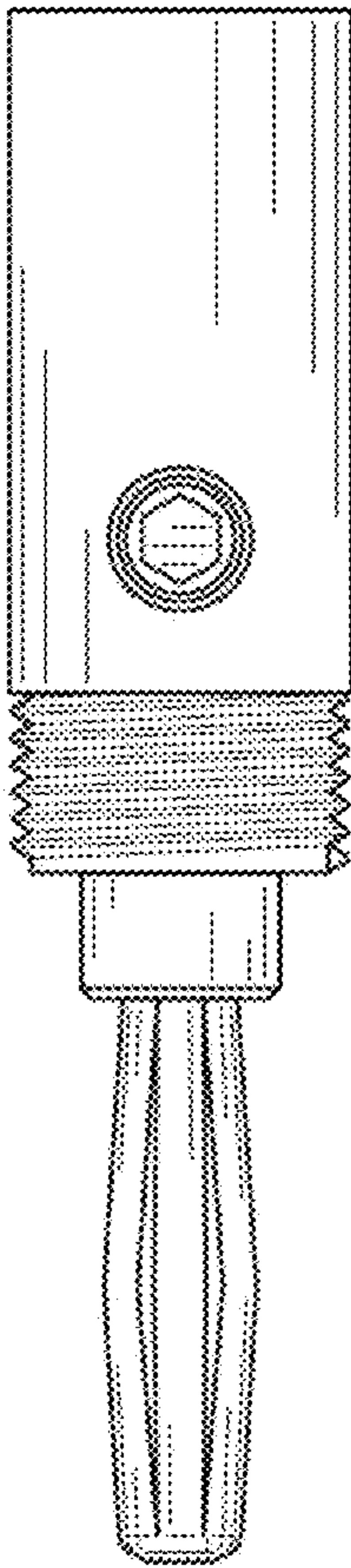


FIG. 12

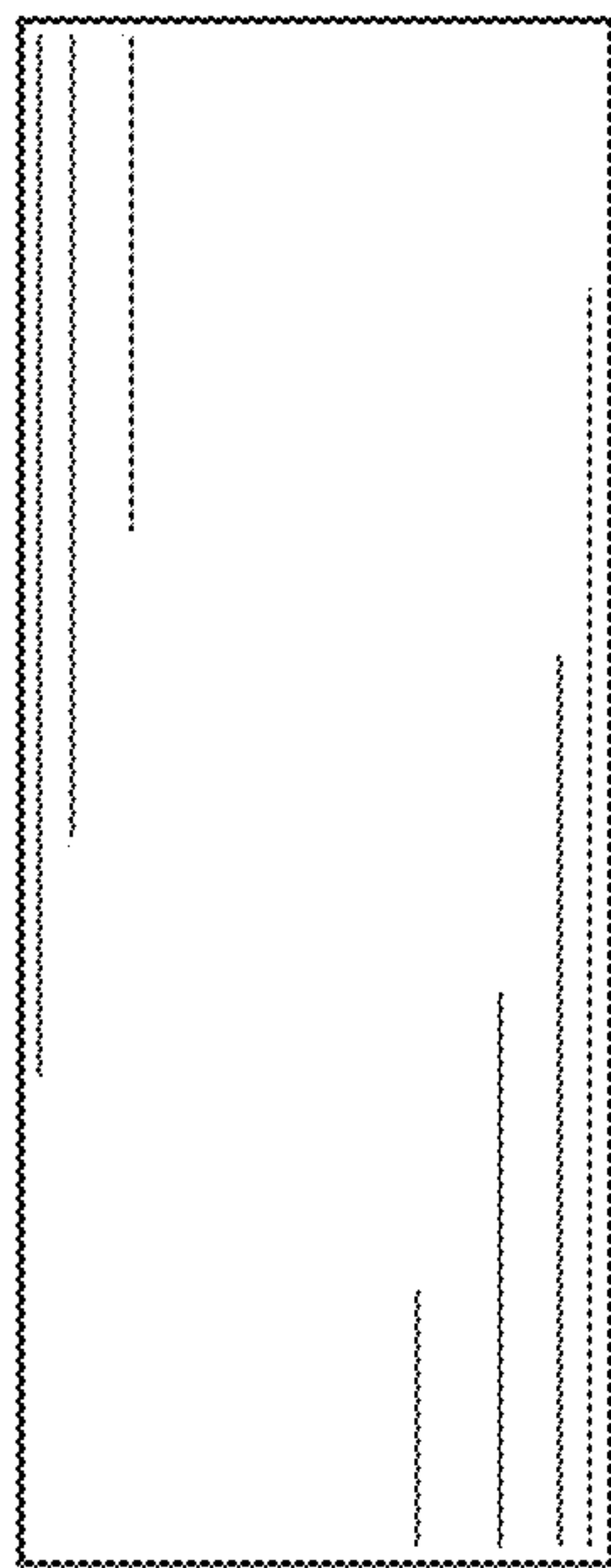
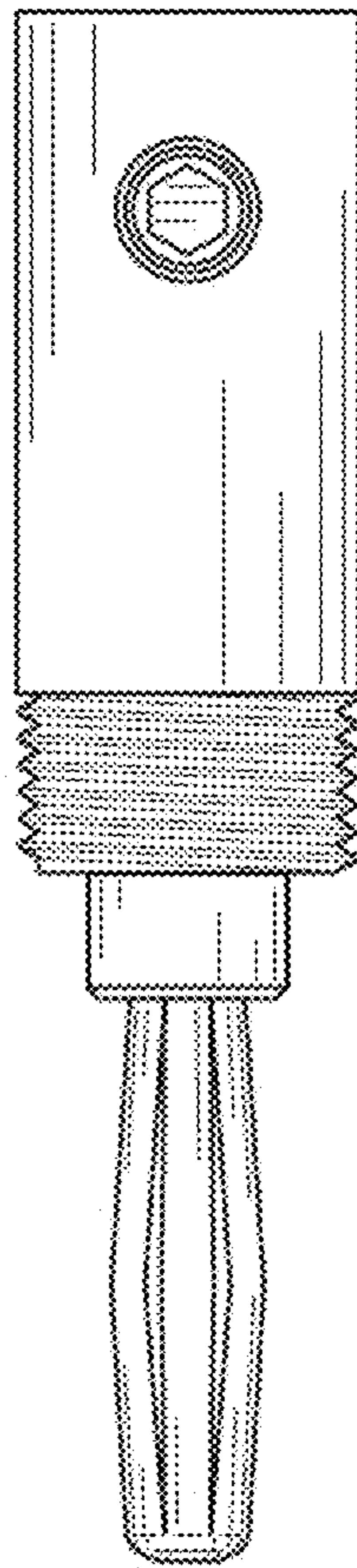


FIG. 13