



US00D720697S

(12) **United States Design Patent**
Mueller et al.

(10) **Patent No.:** **US D720,697 S**

(45) **Date of Patent:** **** Jan. 6, 2015**

(54) **ELECTRICAL CONNECTOR**

(71) Applicant: **Phoenix Contact GmbH & Co. KG,**
Blomberg (DE)

(72) Inventors: **Gerwin Mueller,** Kiel (DE); **Joerg Lenger,** Bielefeld (DE); **Melanie Meis,** Paderborn (DE)

(73) Assignee: **Phoenix Contact GmbH & Co. KG,**
Blomberg (DE)

(**) Term: **14 Years**

(21) Appl. No.: **29/478,833**

(22) Filed: **Jan. 9, 2014**

(30) **Foreign Application Priority Data**

Jul. 10, 2013 (EM) 002272039-0001
Jul. 10, 2013 (EM) 002272039-0002

(51) **LOC (10) Cl.** **13-03**

(52) **U.S. Cl.**
USPC **D13/146**

(58) **Field of Classification Search**
USPC D13/107-109, 118-119, 133, 146, 147,
D13/154, 184, 199; 320/104, 107, 115,
320/FOR. 104, FOR. 119, DIG. 35
See application file for complete search history.

(56) **References Cited**

U.S. PATENT DOCUMENTS

D673,122 S * 12/2012 Huss et al. D13/146
D675,570 S * 2/2013 Muller D13/147
D698,731 S * 2/2014 Muller D13/147

* cited by examiner

Primary Examiner — Daniel Bui

(74) *Attorney, Agent, or Firm* — Leydig, Voit & Mayer, Ltd.

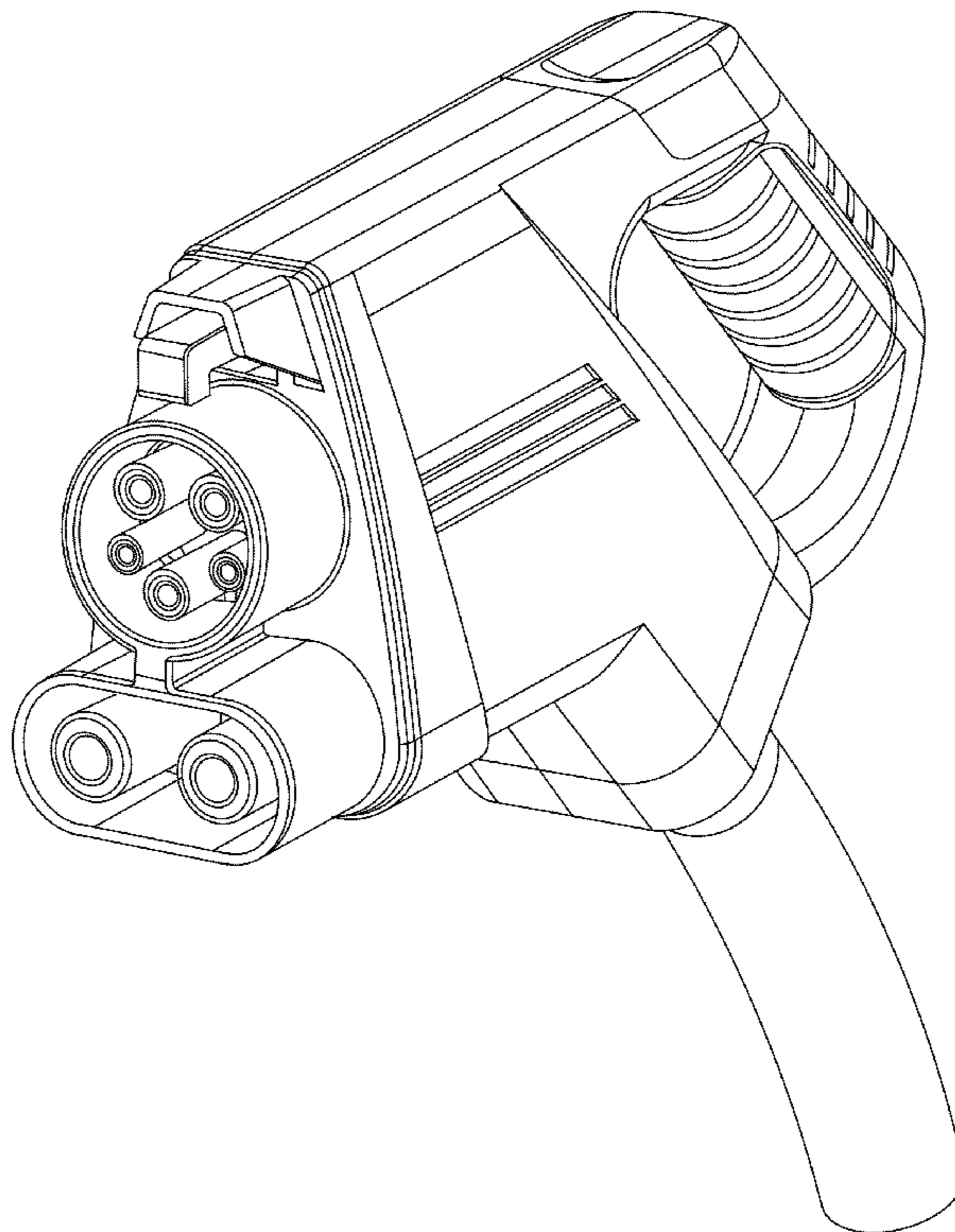
(57) **CLAIM**

The ornamental design for an electrical connector, as shown.

DESCRIPTION

FIG. 1 is a top right front perspective view of a first embodiment of an electrical connector showing my new design;
FIG. 2 is a bottom plan view thereof;
FIG. 3 is a right side elevational view thereof;
FIG. 4 is a front elevational view thereof;
FIG. 5 is a left side elevational view thereof;
FIG. 6 is a rear elevational view thereof;
FIG. 7 is a top plan view thereof;
FIG. 8 is a top right front perspective view of a second embodiment of an electrical connector showing my new design;
FIG. 9 is a bottom plan view thereof;
FIG. 10 is a right side elevational view thereof;
FIG. 11 a front elevational view thereof;
FIG. 12 is a left side elevational view thereof;
FIG. 13 is a rear elevational view thereof; and,
FIG. 14 is a top plan view thereof.

1 Claim, 14 Drawing Sheets



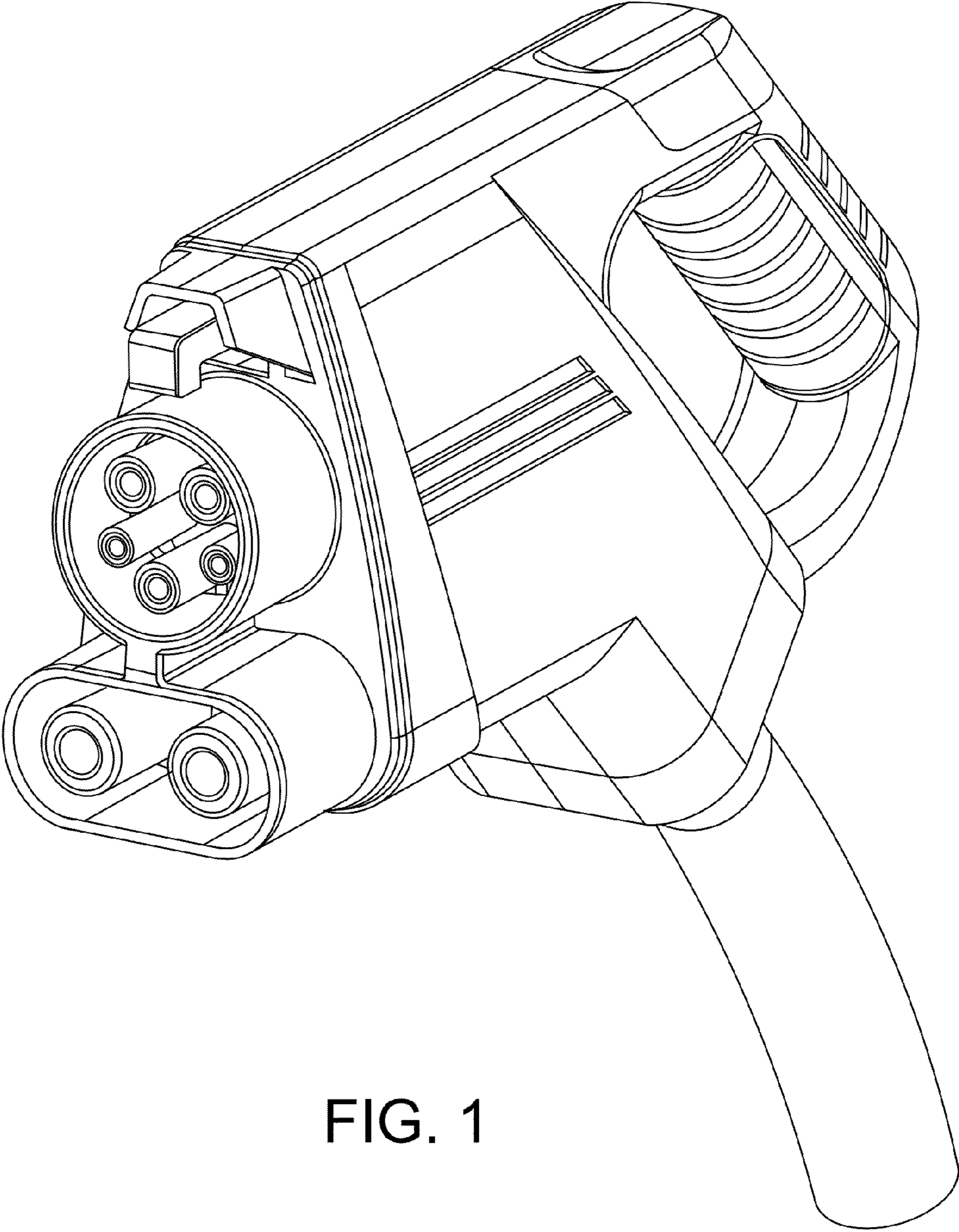


FIG. 1

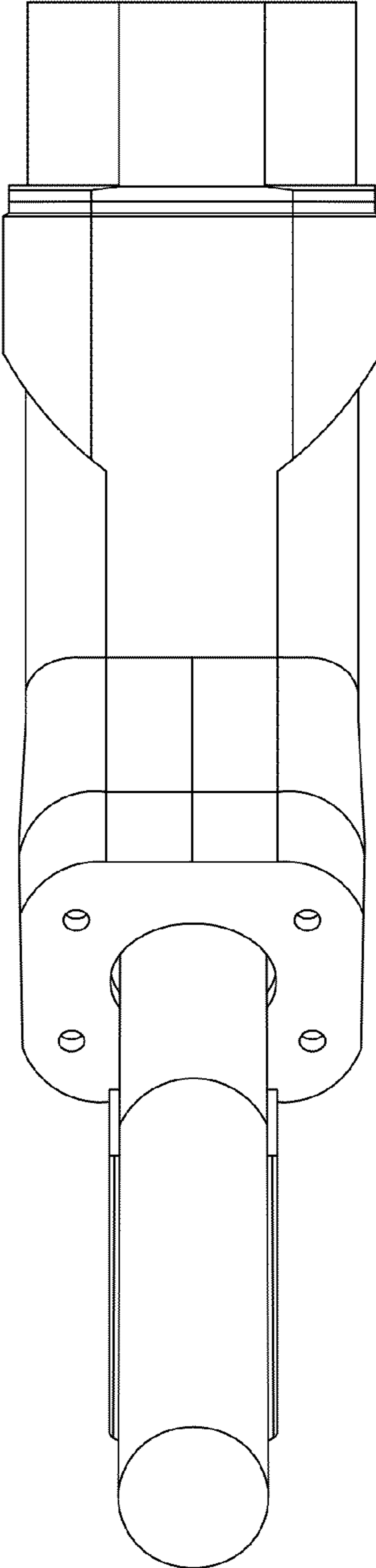


FIG. 2

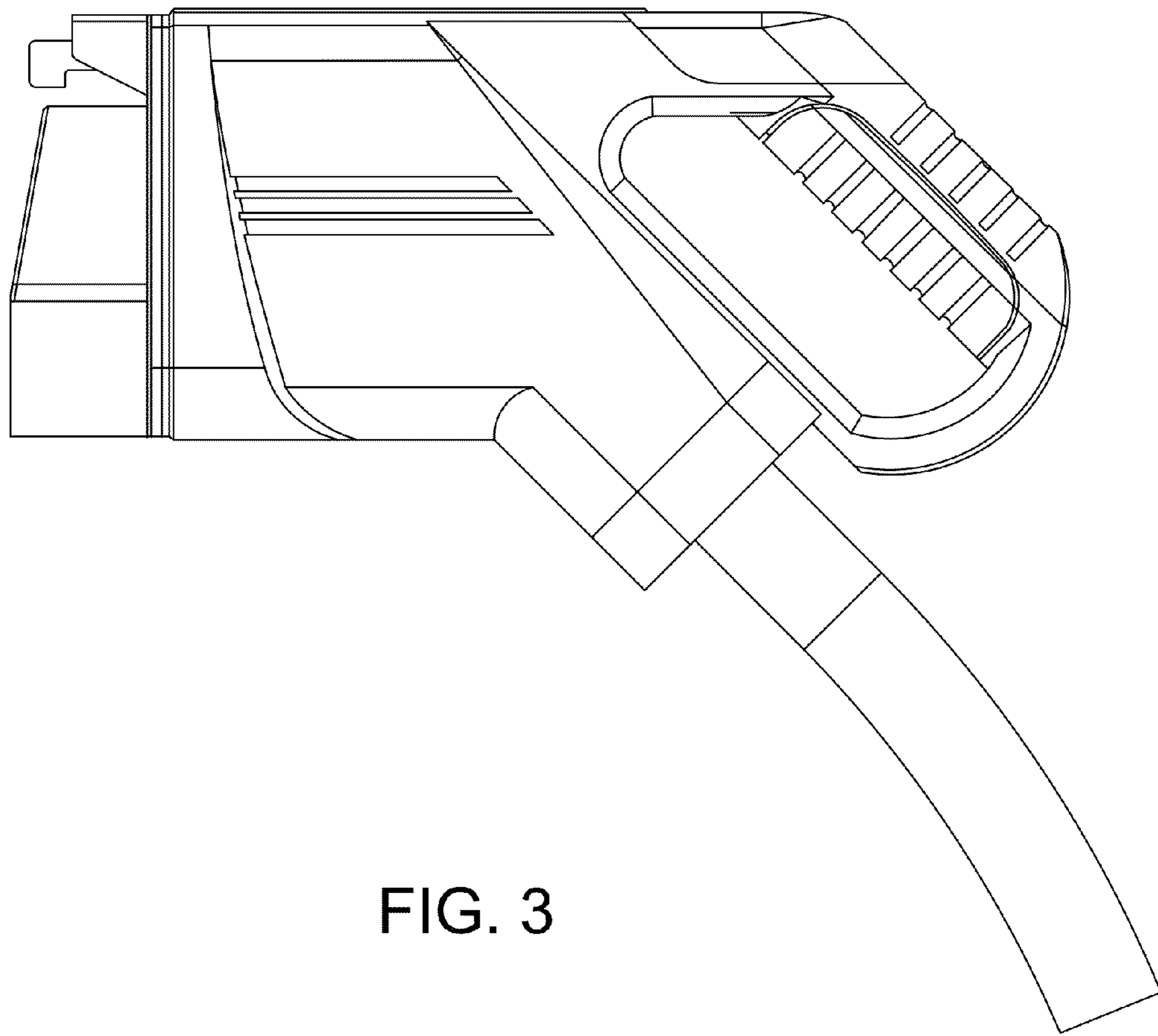


FIG. 3

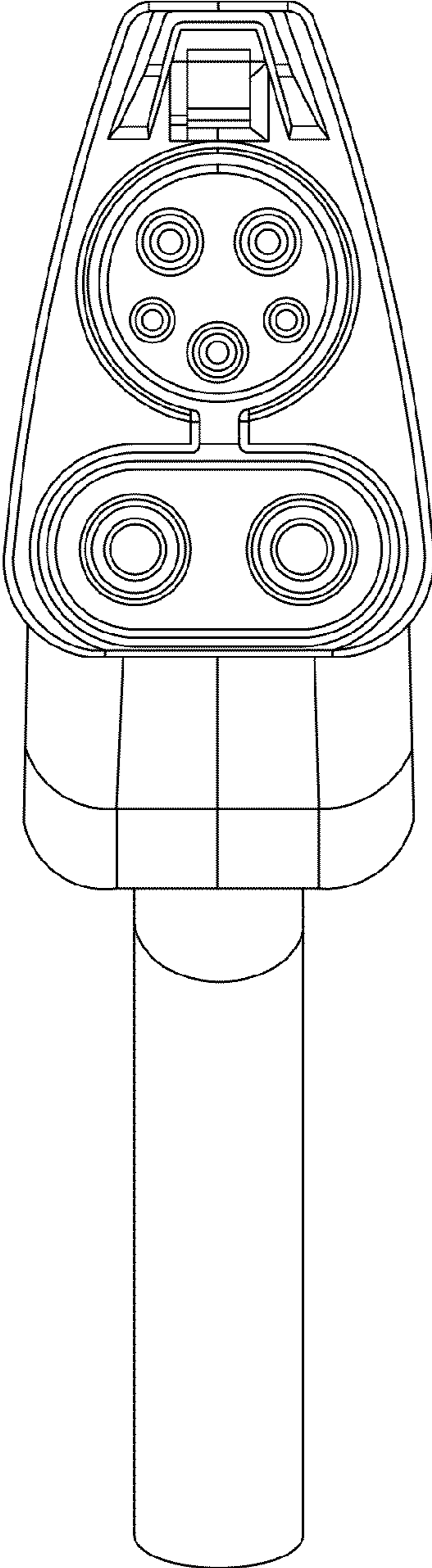


FIG. 4

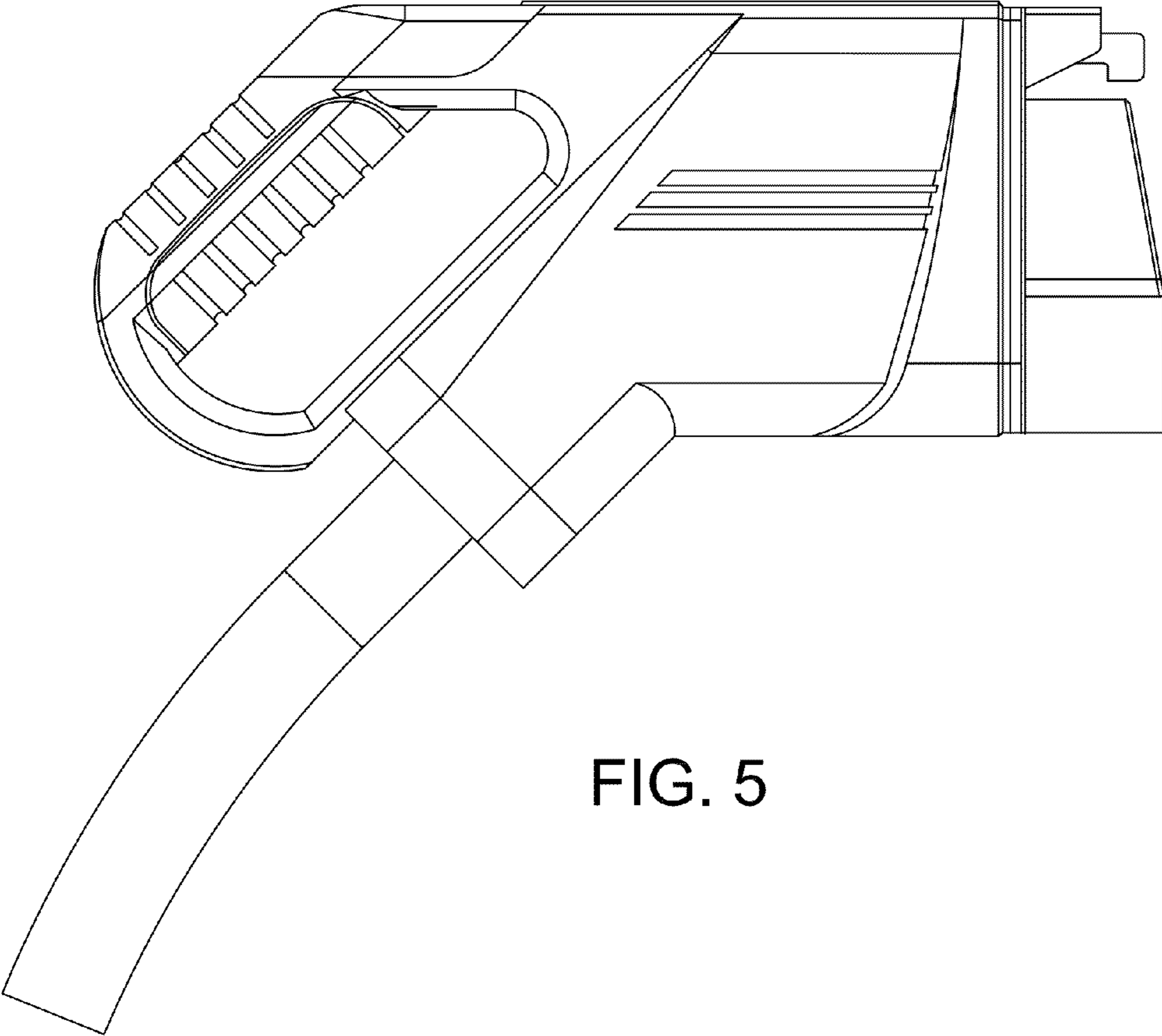


FIG. 5

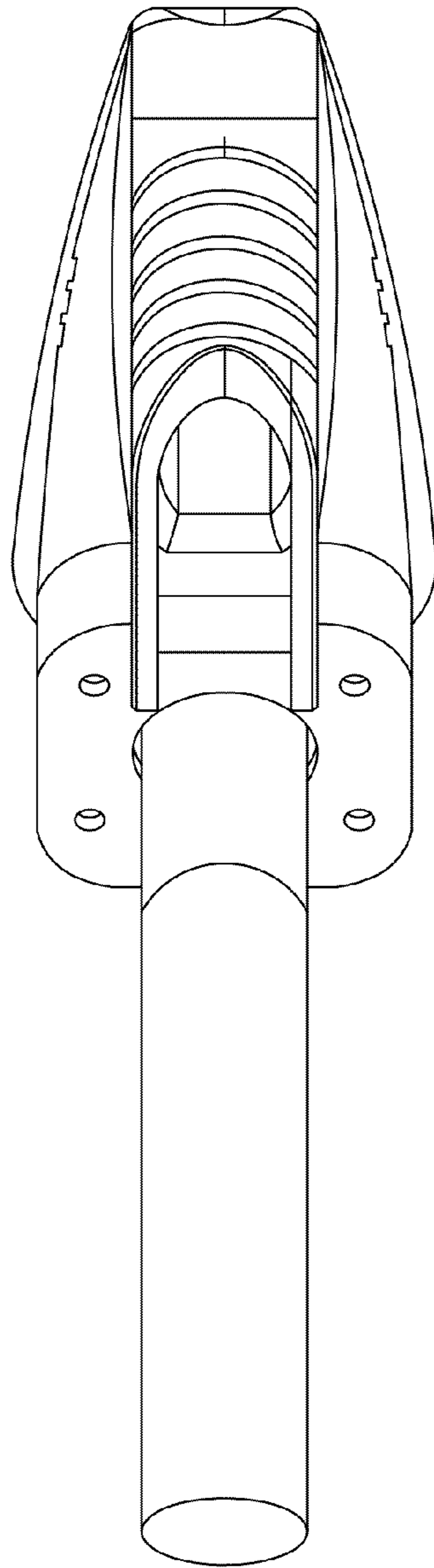


FIG. 6

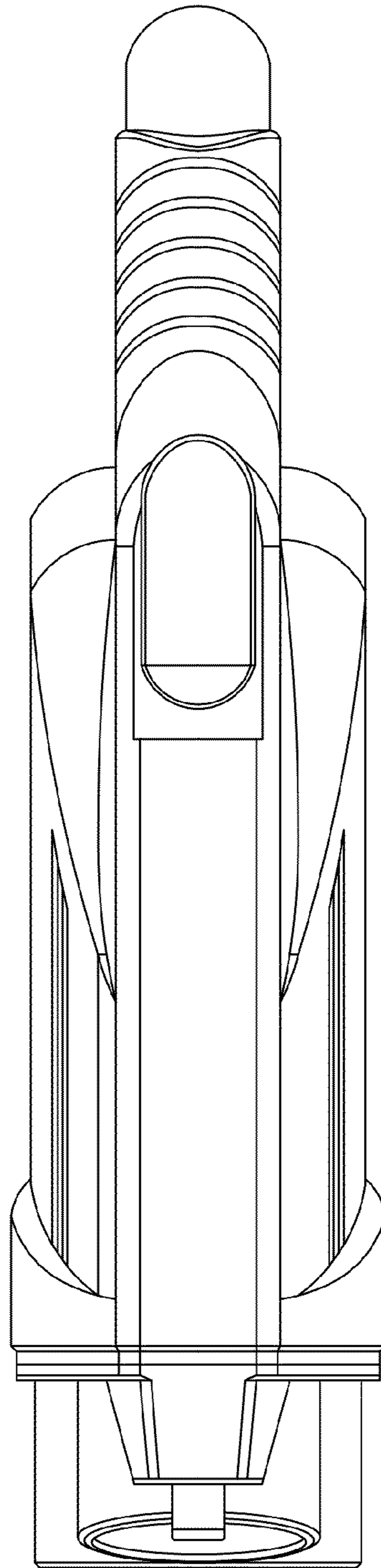


FIG. 7

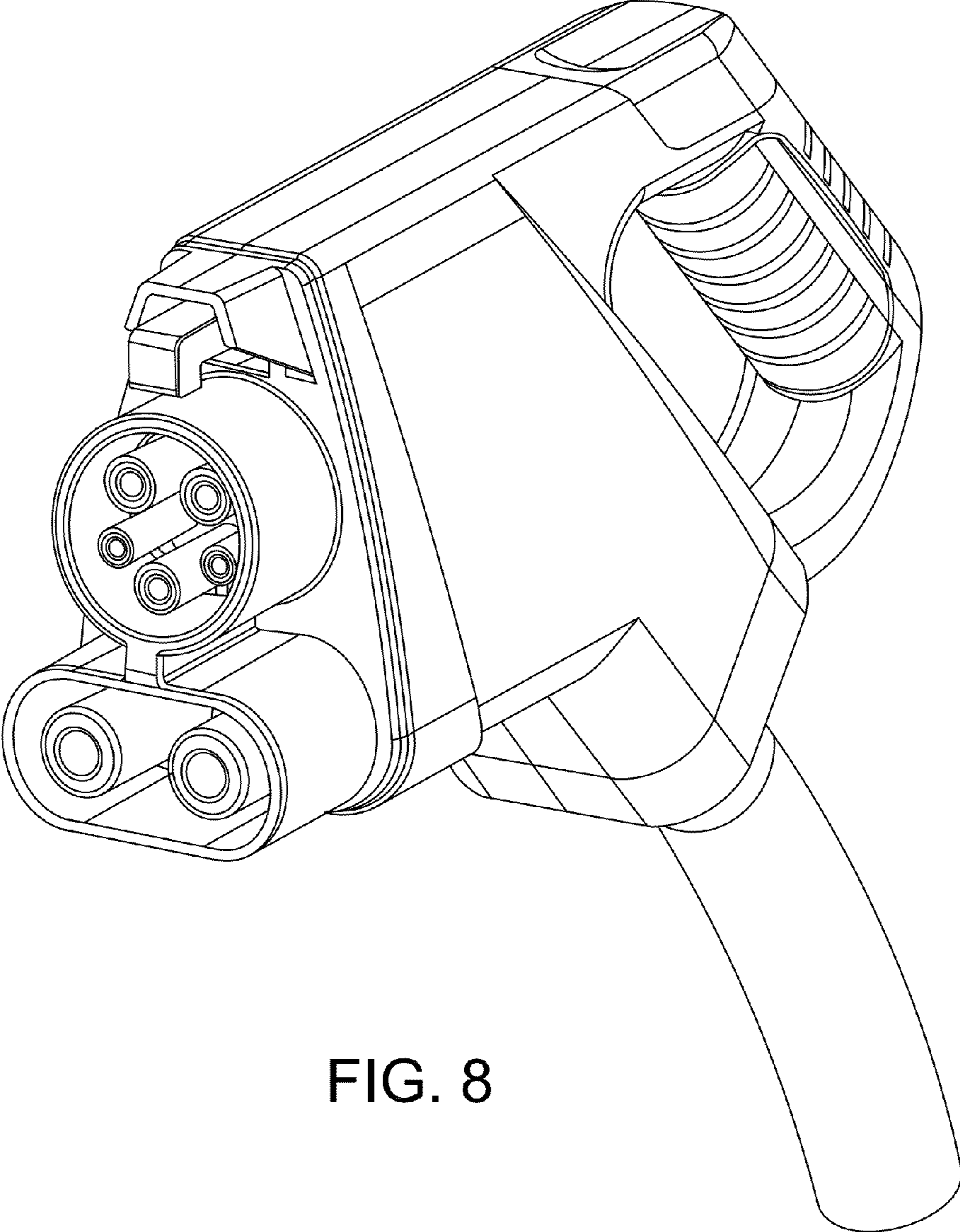


FIG. 8

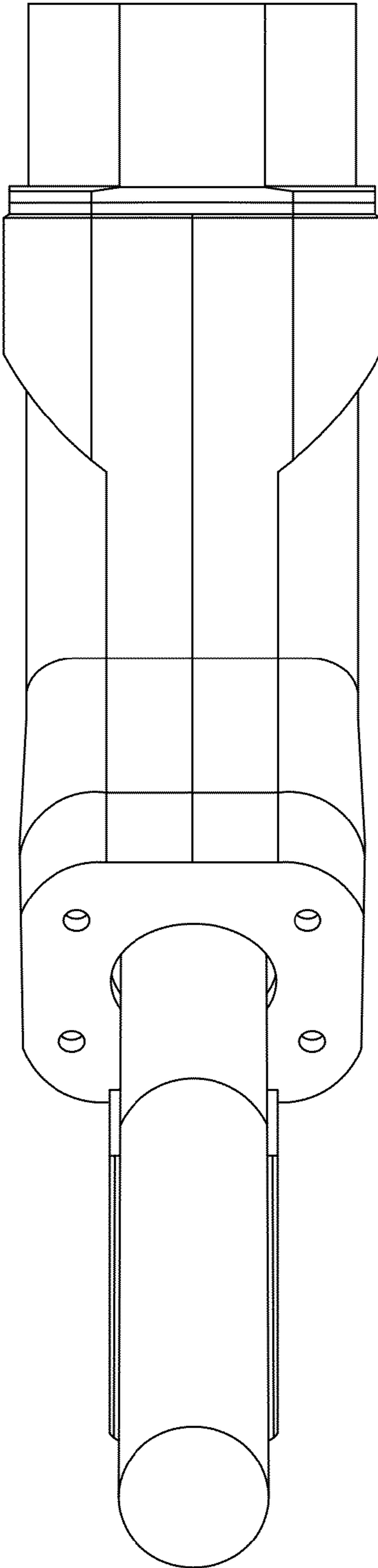


FIG. 9

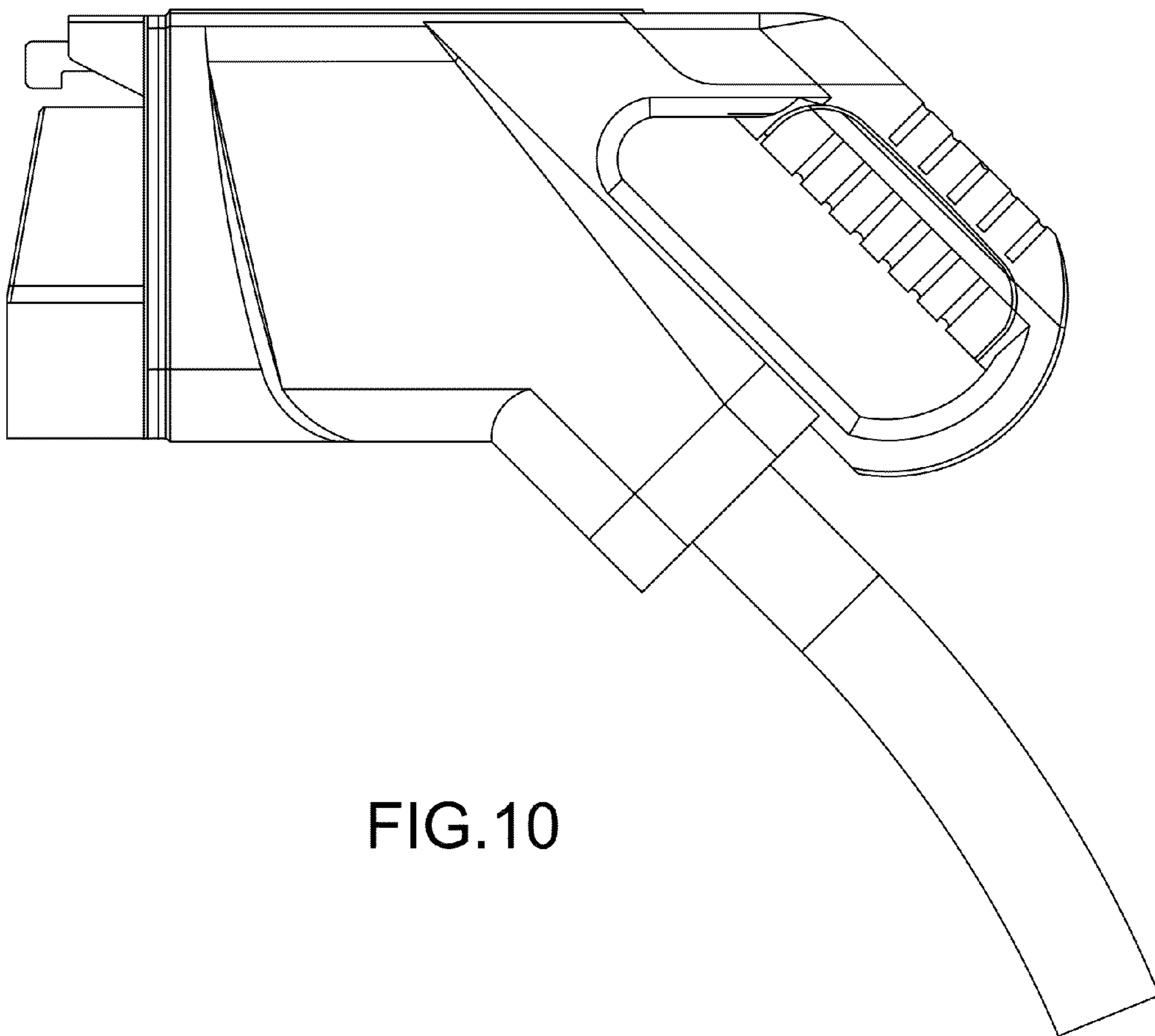


FIG.10

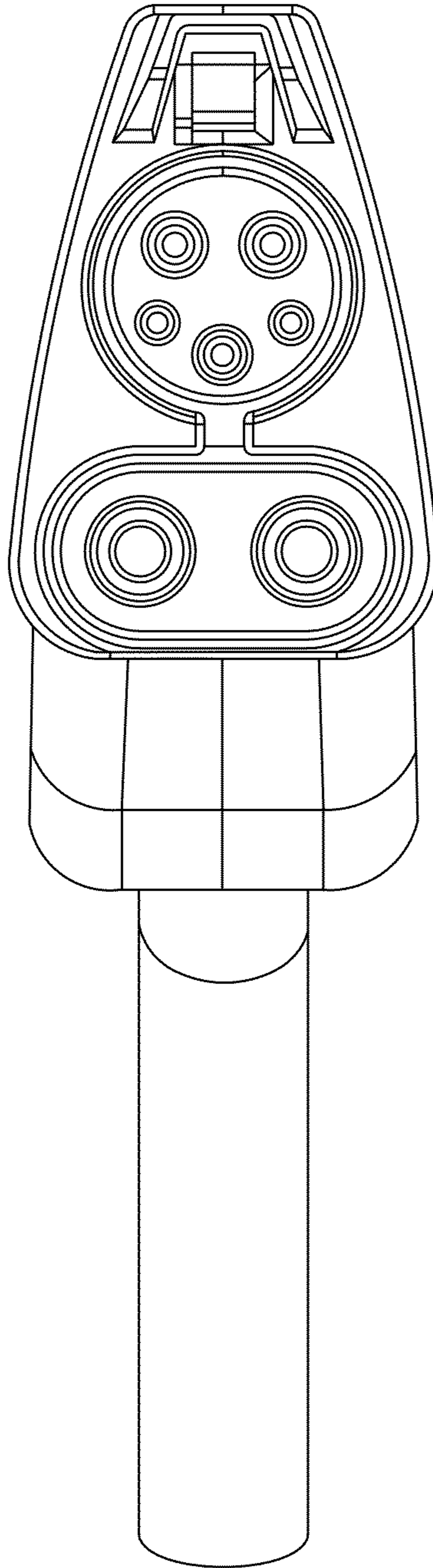


FIG. 11

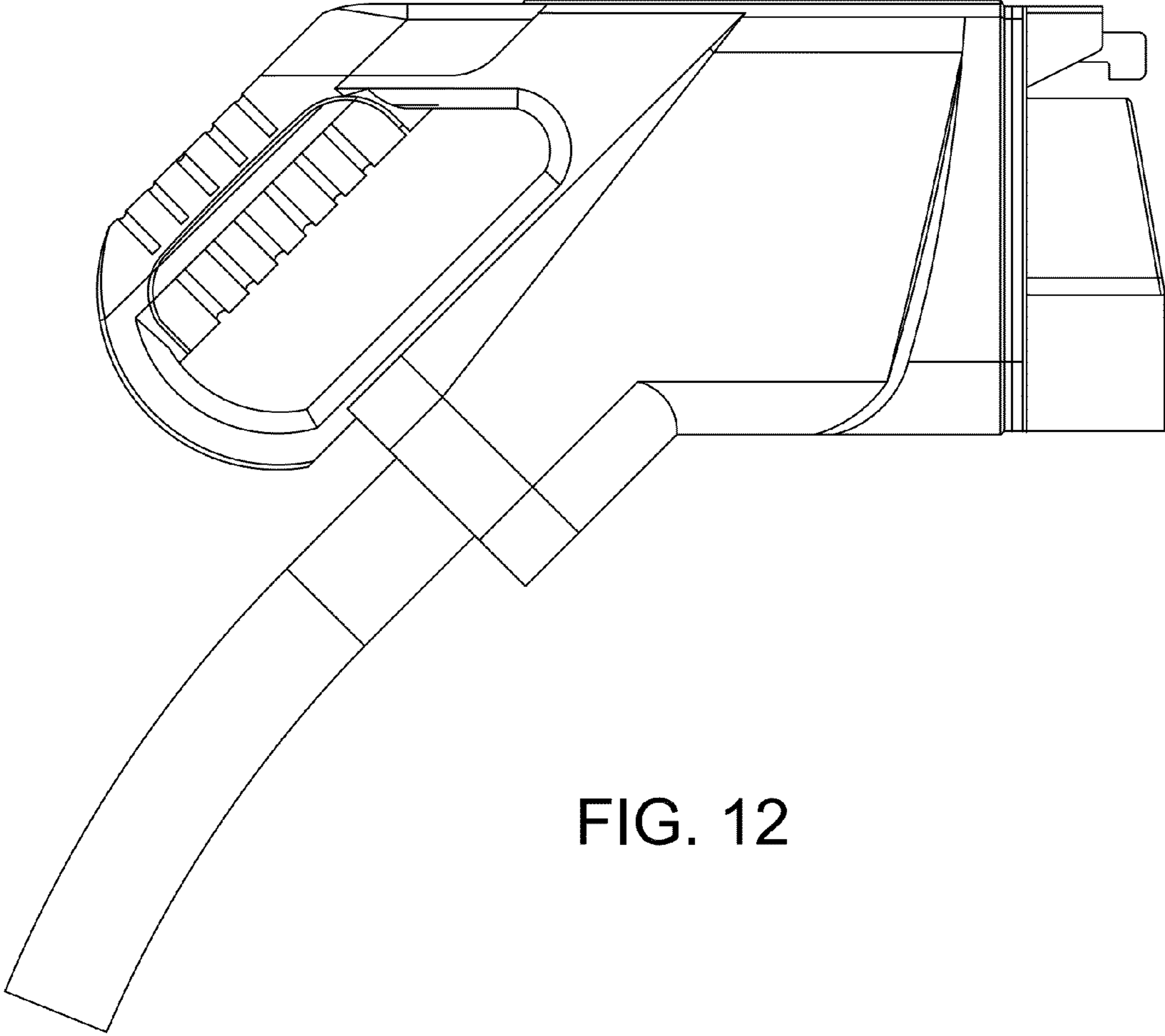


FIG. 12

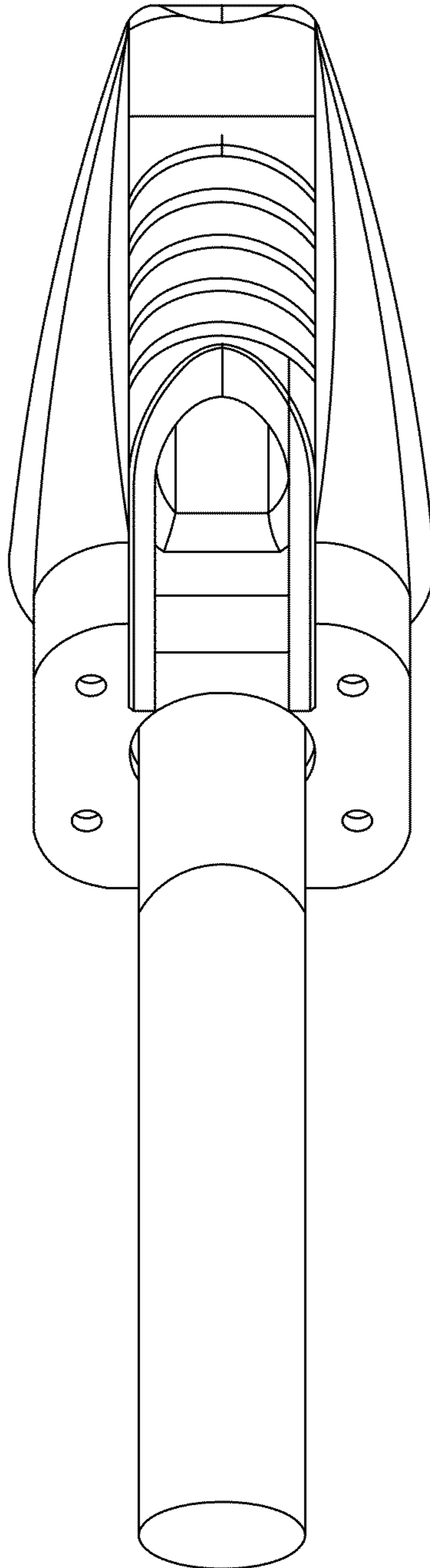


FIG. 13

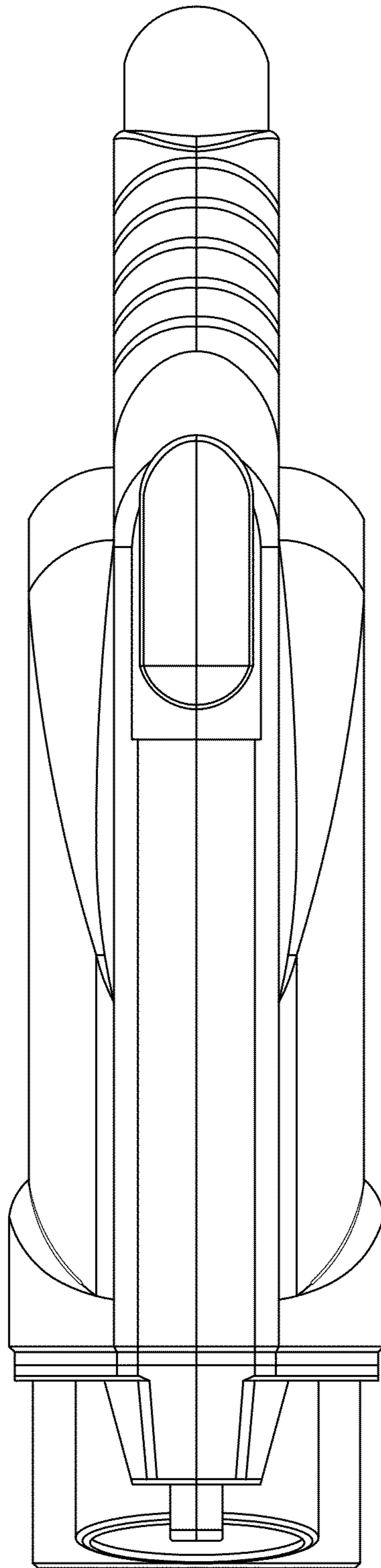


FIG. 14