



US00D720695S

(12) **United States Design Patent**  
**Shen**

(10) **Patent No.:** **US D720,695 S**

(45) **Date of Patent:** **\*\* Jan. 6, 2015**

(54) **UNIVERSAL MULTI-PLUG ADAPTER**

(56) **References Cited**

(71) Applicant: **Yang Ji Co., Ltd.**, New Taipei (TW)

U.S. PATENT DOCUMENTS

(72) Inventor: **Su-Chen Shen**, New Taipei (TW)

5,919,060 A \* 7/1999 Lee ..... 439/518

D454,538 S \* 3/2002 Glickman ..... D13/110

7,052,298 B1 \* 5/2006 Cheng ..... 439/171

7,950,938 B1 \* 5/2011 Teoh ..... 439/171

D669,433 S \* 10/2012 Lee ..... D13/110

2013/0316589 A1 \* 11/2013 Lee ..... 439/653

(73) Assignee: **Yang Ji Co., Ltd.**, New Taipei (TW)

(\*\*) Term: **14 Years**

\* cited by examiner

(21) Appl. No.: **29/491,031**

*Primary Examiner* — Derrick Holland

(22) Filed: **May 15, 2014**

(74) *Attorney, Agent, or Firm* — Leong C. Lei

(51) **LOC (10) Cl.** ..... **13-02**

(57) **CLAIM**

(52) **U.S. Cl.**

The ornamental design for a universal multi-plug adapter, as shown and described.

USPC ..... **D13/110**

**DESCRIPTION**

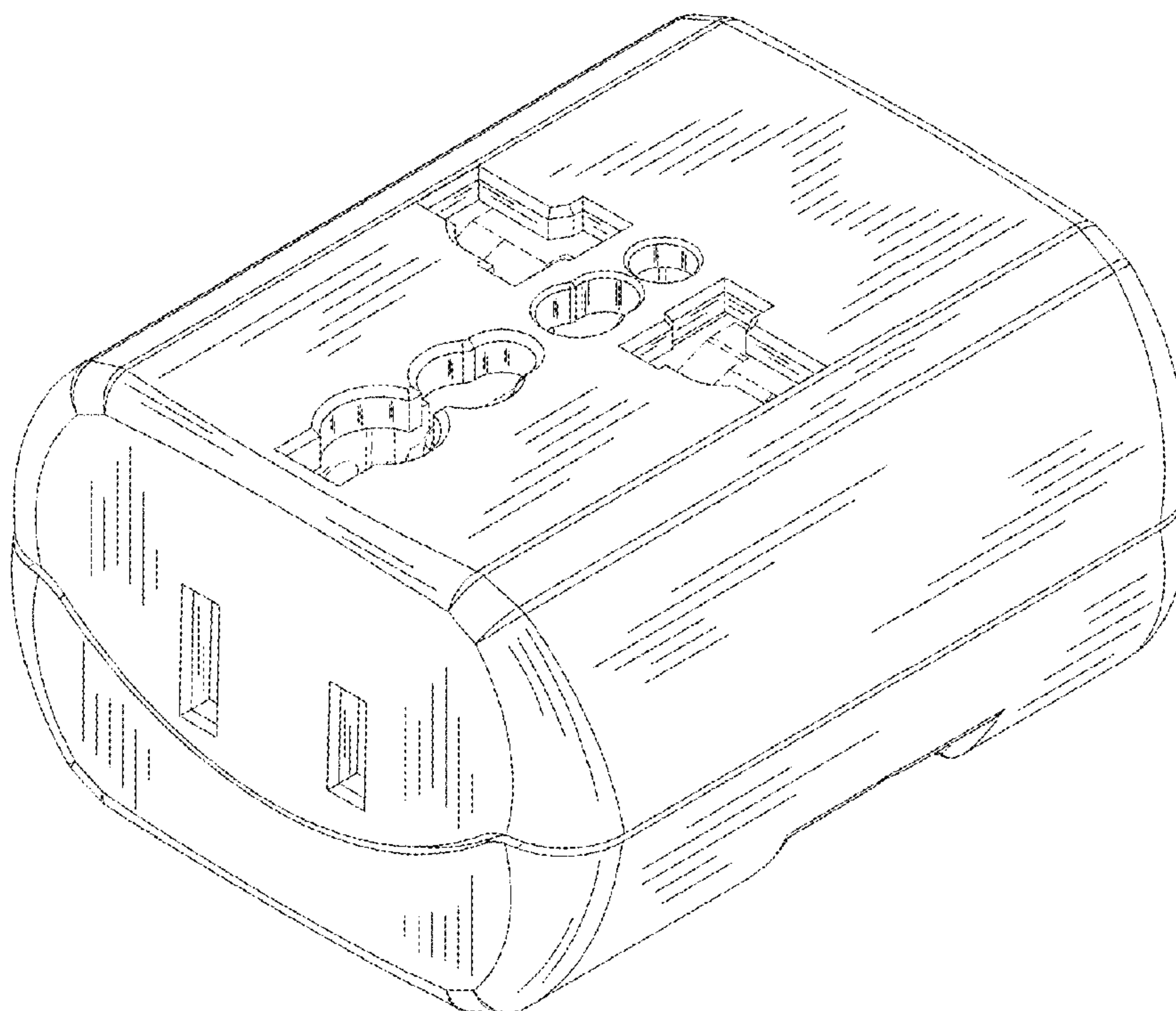
(58) **Field of Classification Search**

CPC ..... H01R 4/66; H01R 13/44; H01R 13/4534;  
H01R 13/639; H01R 13/6633; H01R 27/00;  
H01R 27/02; H01R 29/00; H01R 31/06;  
H02M 1/10

USPC ..... D13/110, 101, 107, 108, 118, 133,  
D13/137.1–137.4, 138.1, 138.2, 139.1, 146,  
D13/199; 174/54, 59, 61, 66; 307/11, 17,  
307/22, 150; 320/107, 111, 112, 113, 114,  
320/115; 362/640, 641, 642; 363/142, 146;  
439/105, 106, 131, 146, 171, 172, 222,  
439/518, 626, 628, 638, 640, 653; D14/433

See application file for complete search history.

**1 Claim, 9 Drawing Sheets**



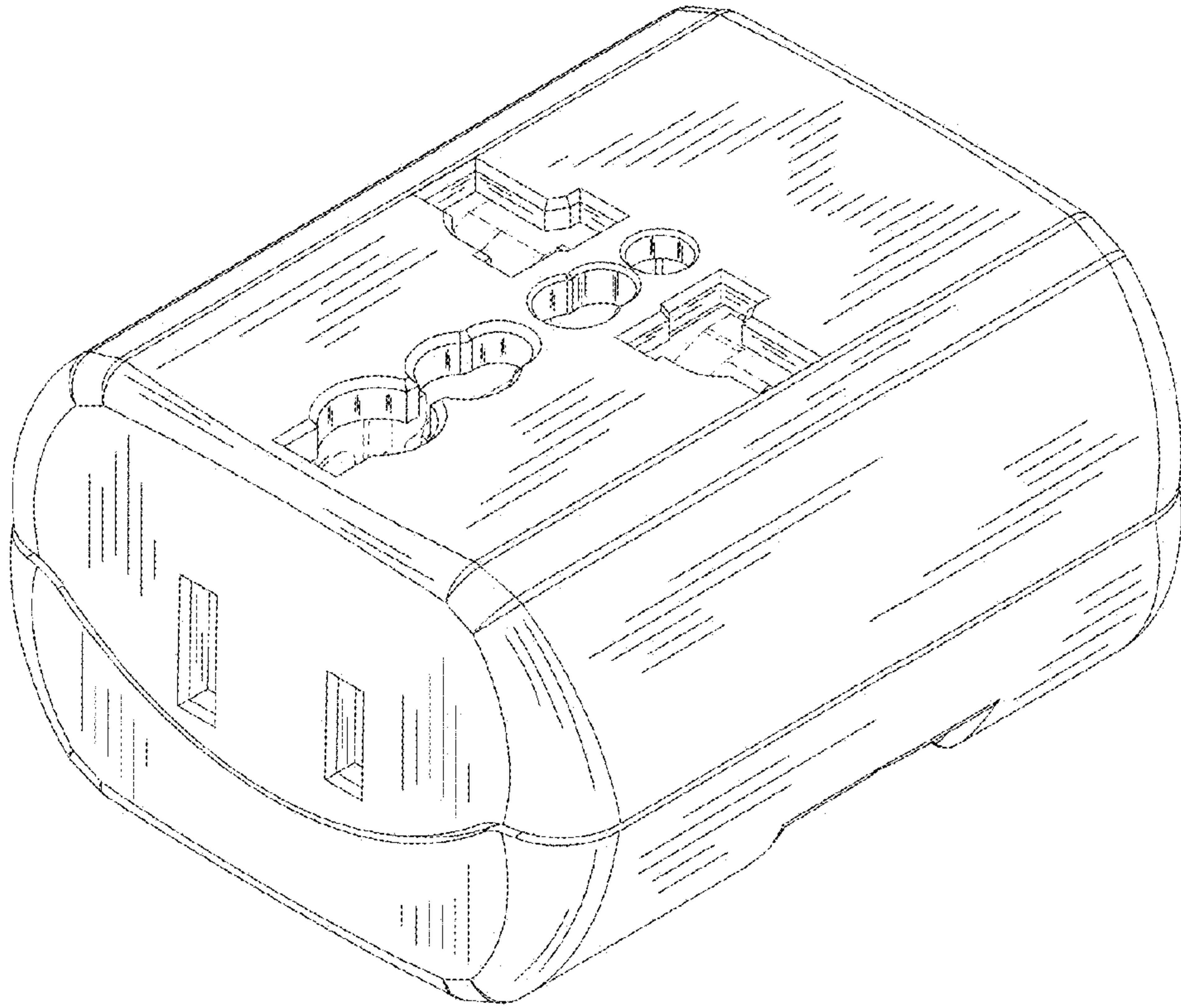


FIG.1

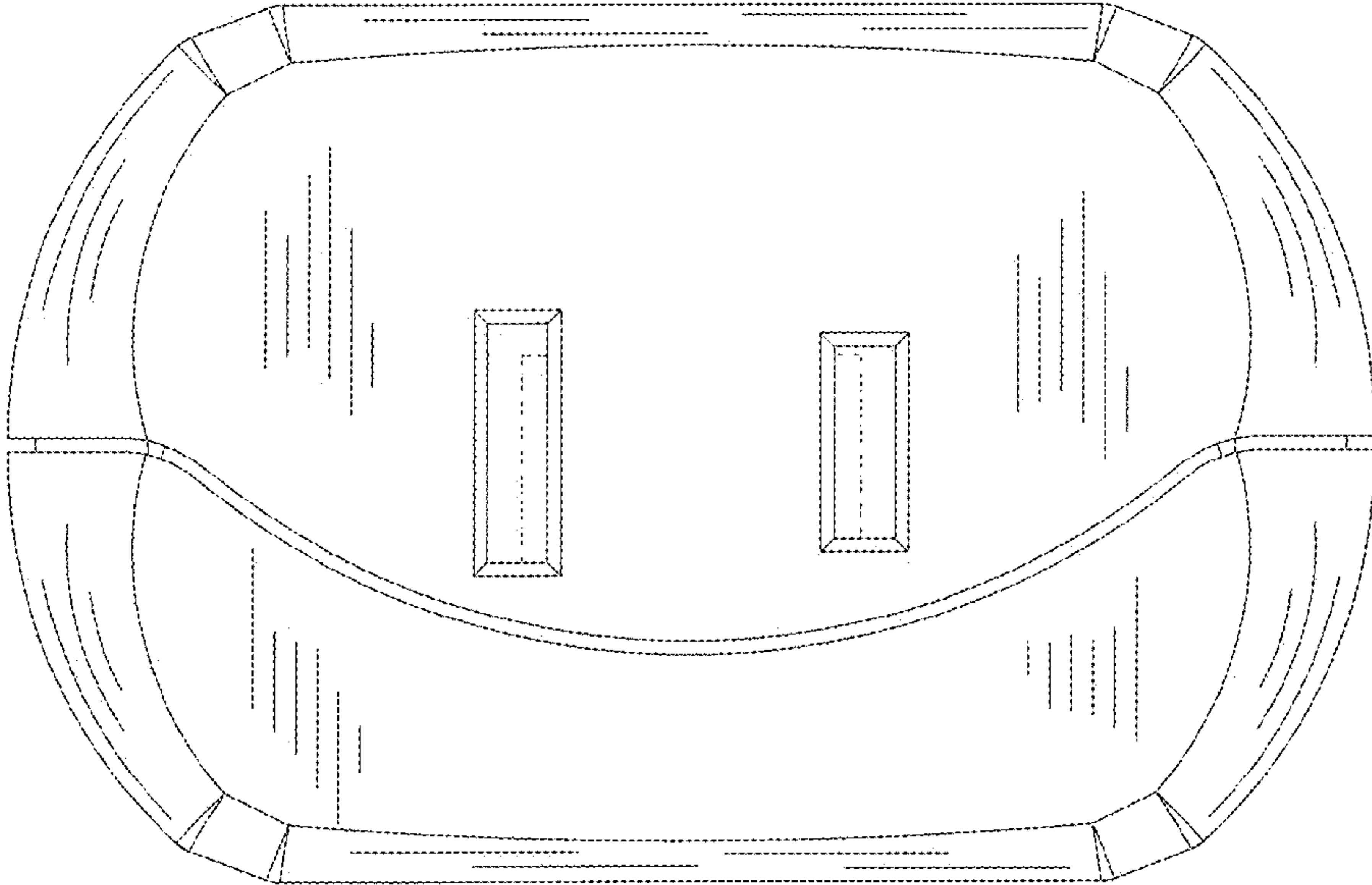


FIG.2

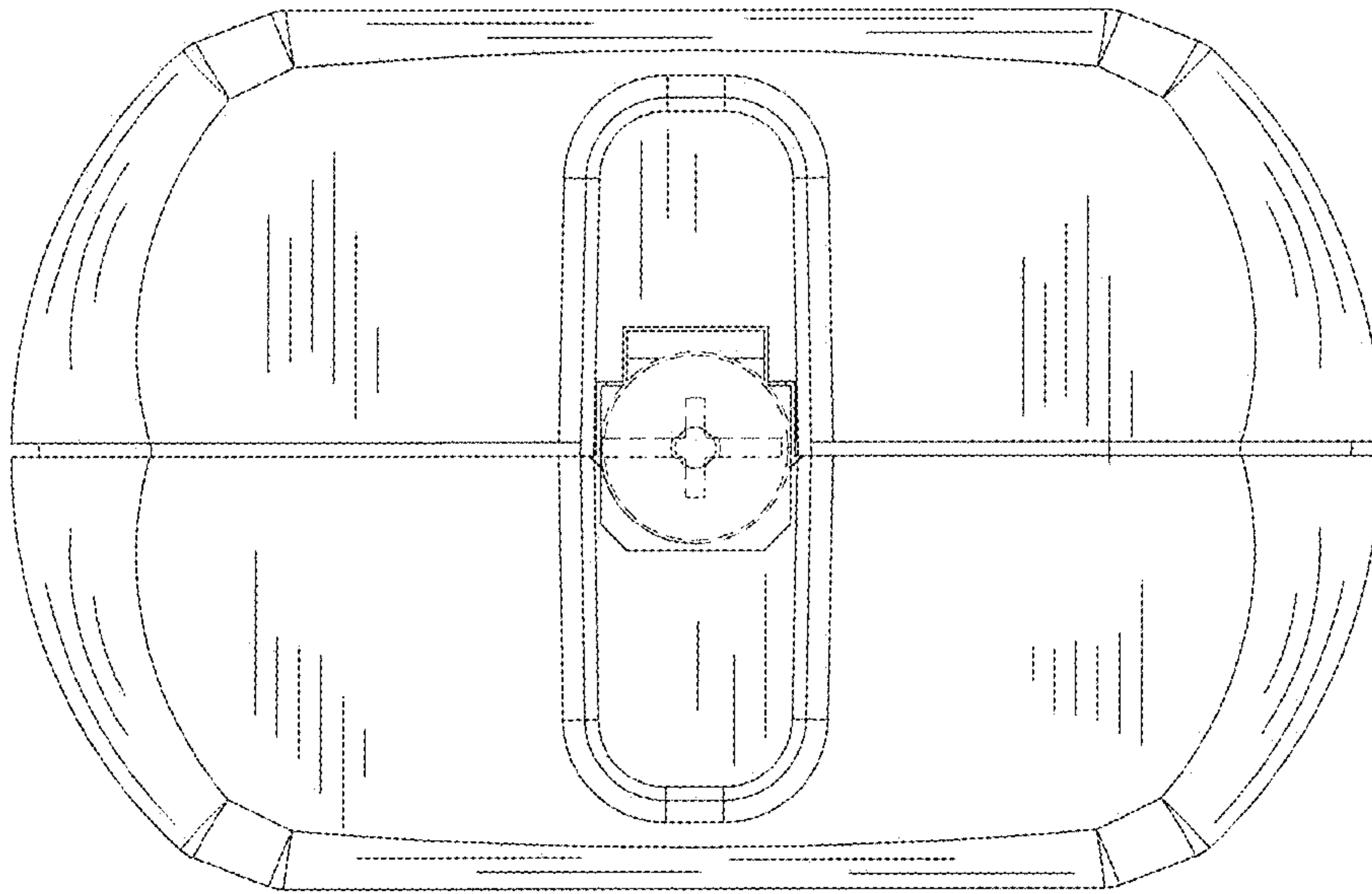


FIG.3

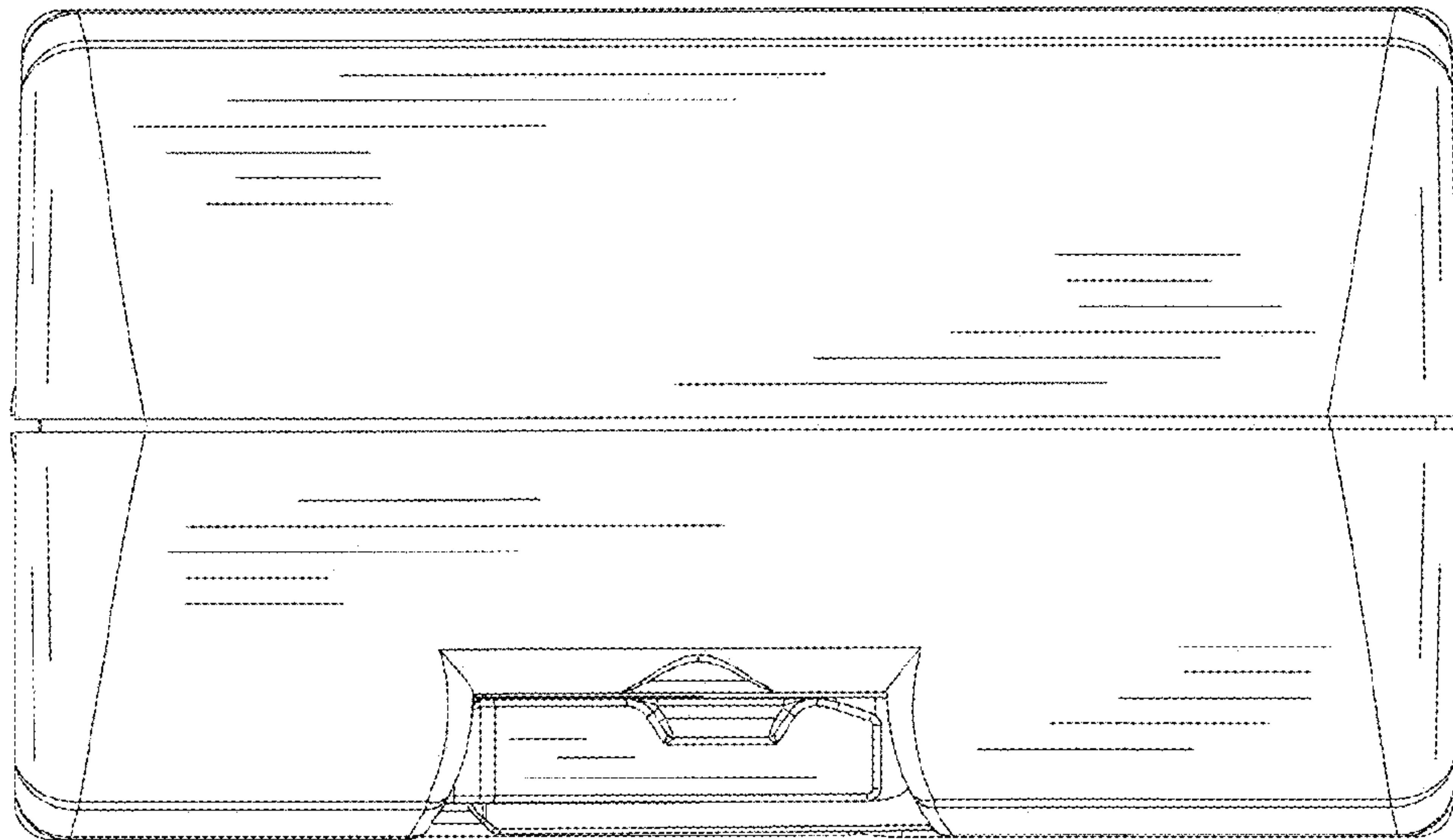


FIG.4



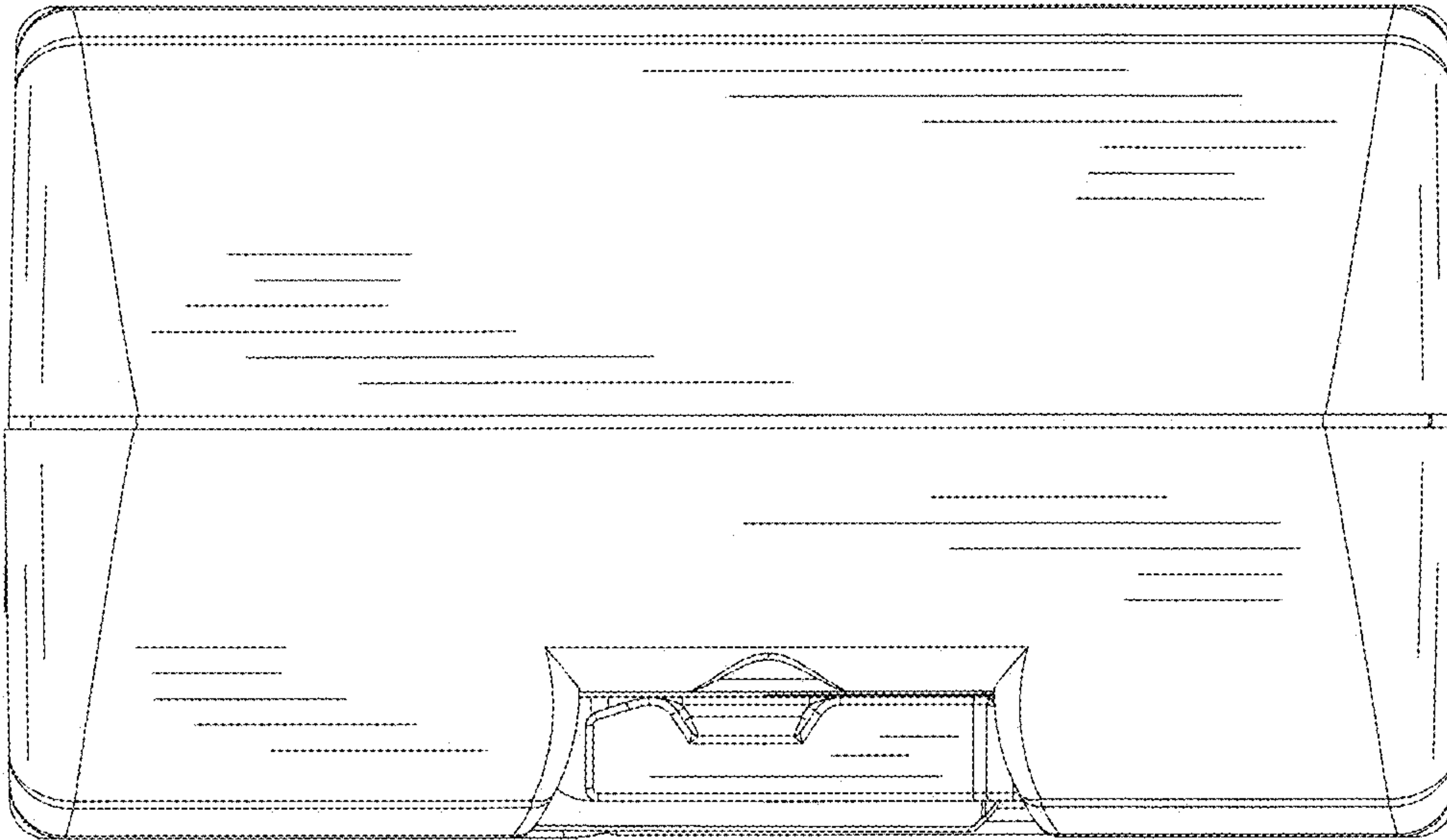


FIG. 5

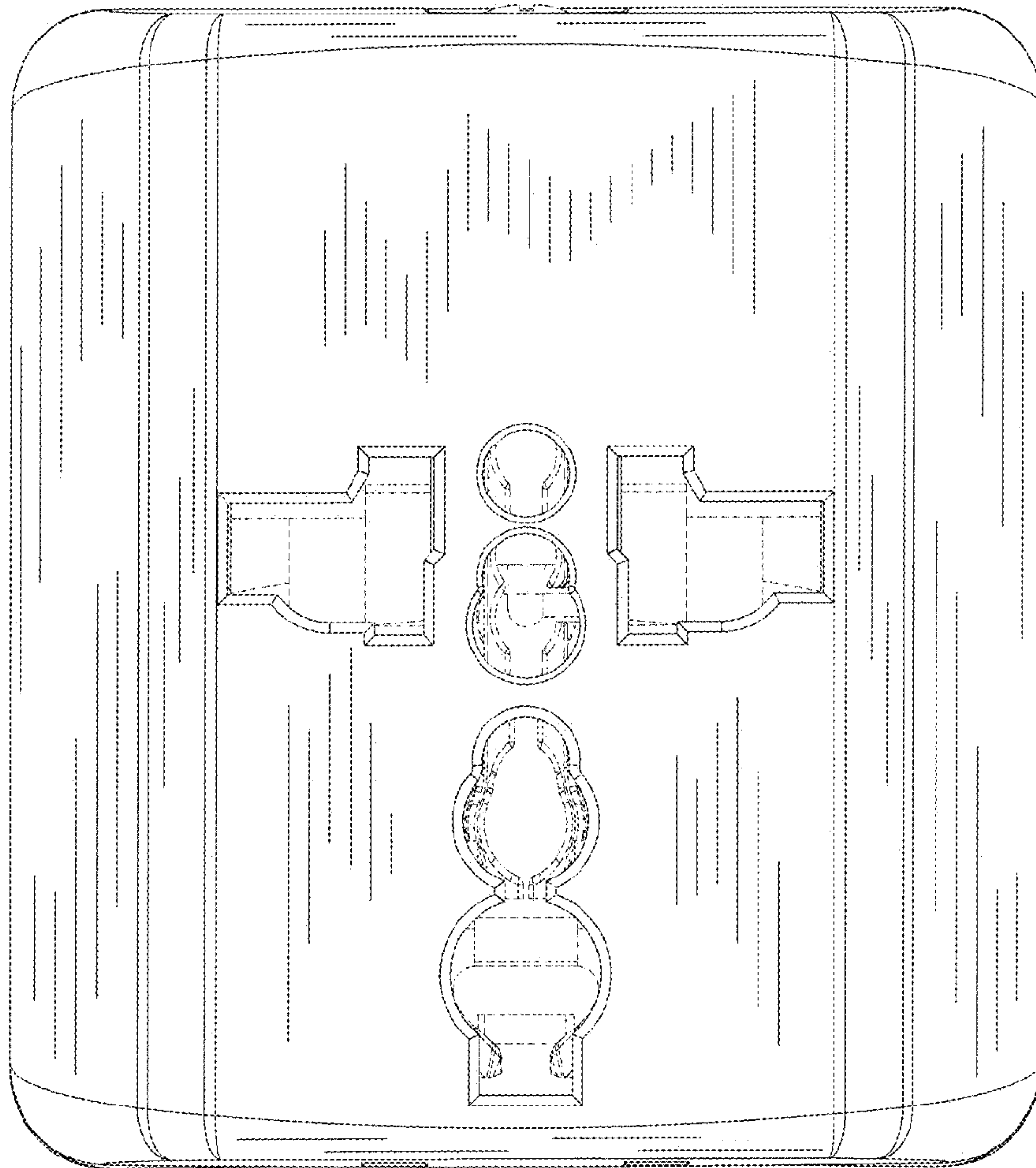


FIG.6

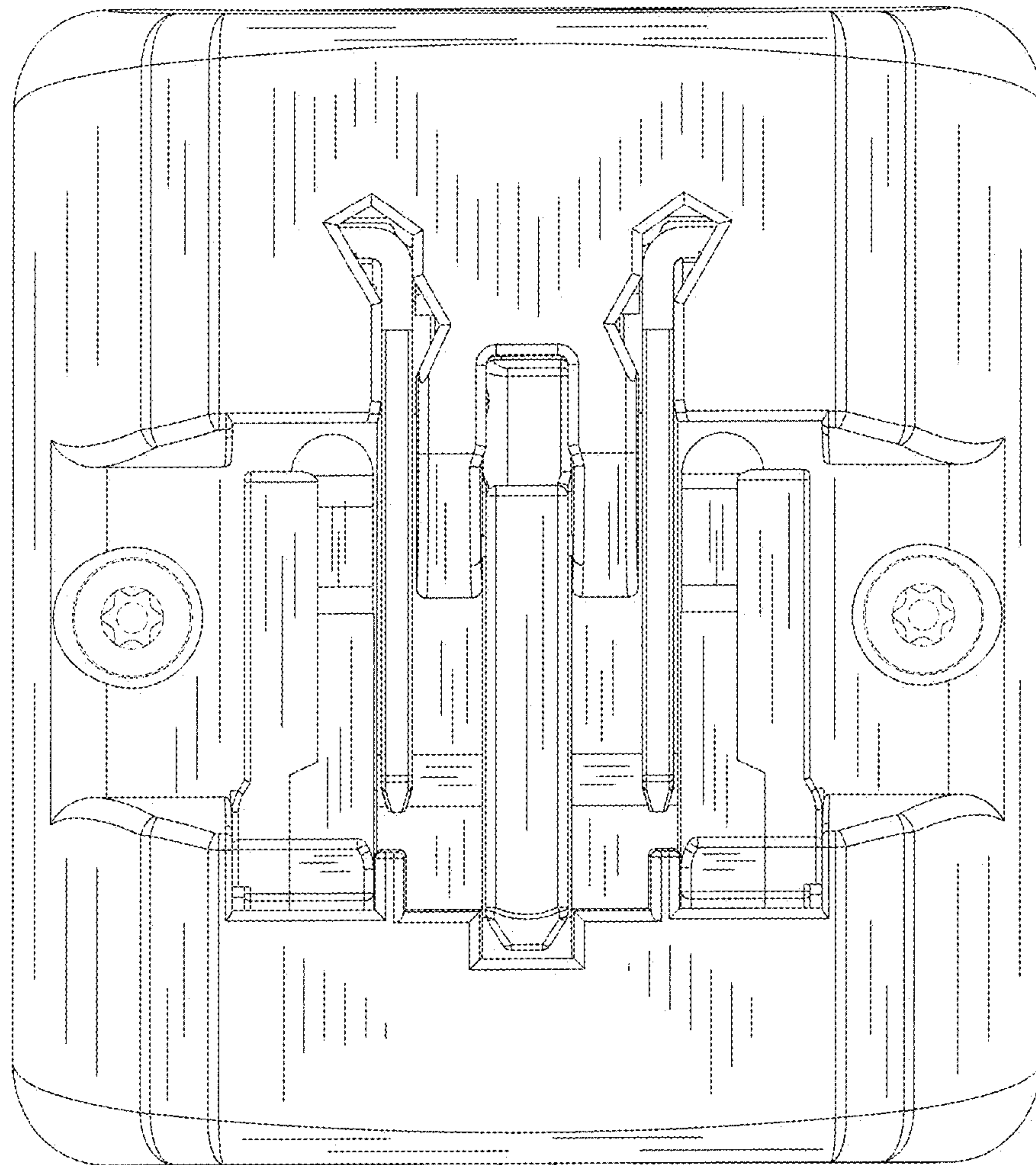


FIG.7



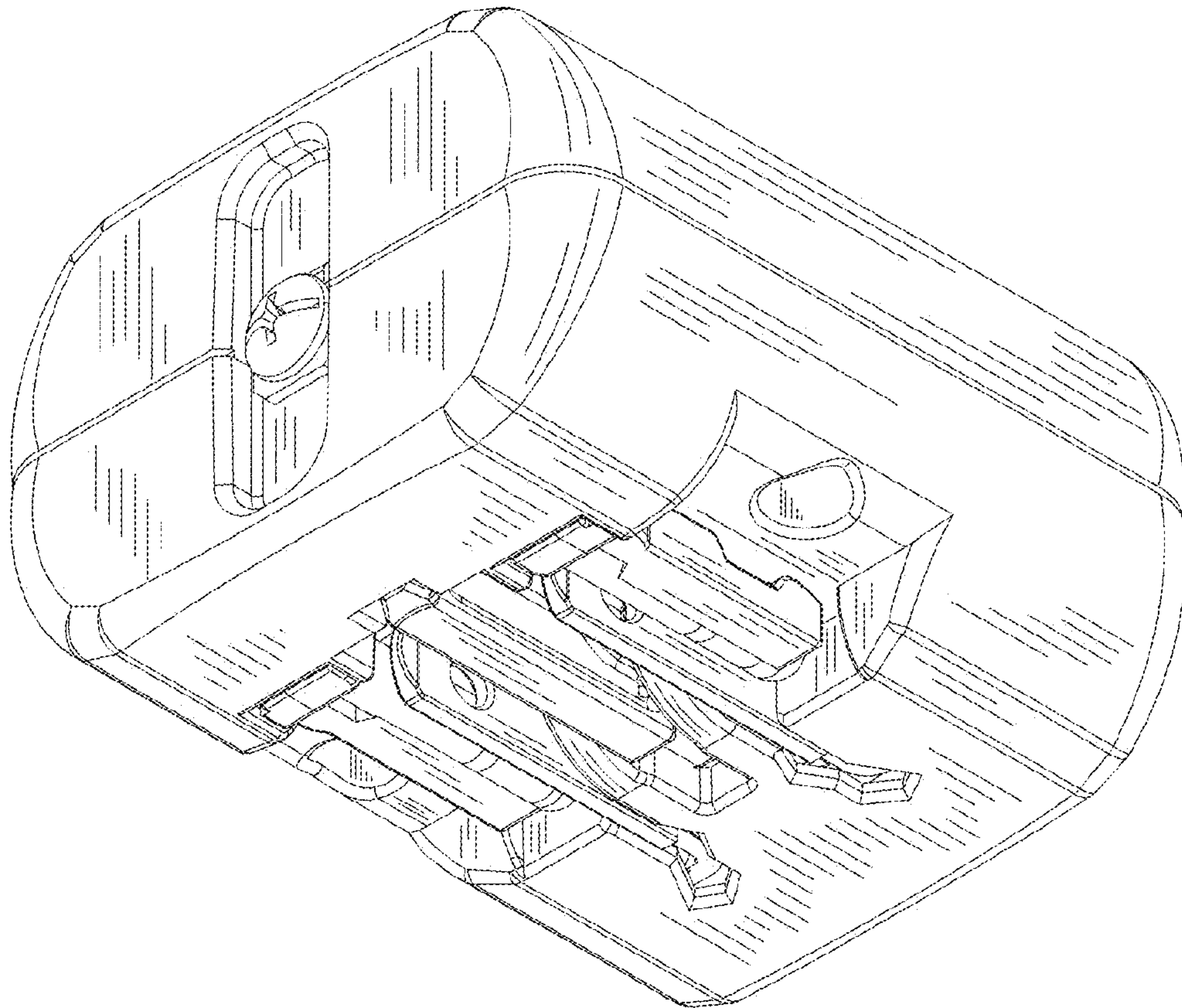


FIG.8

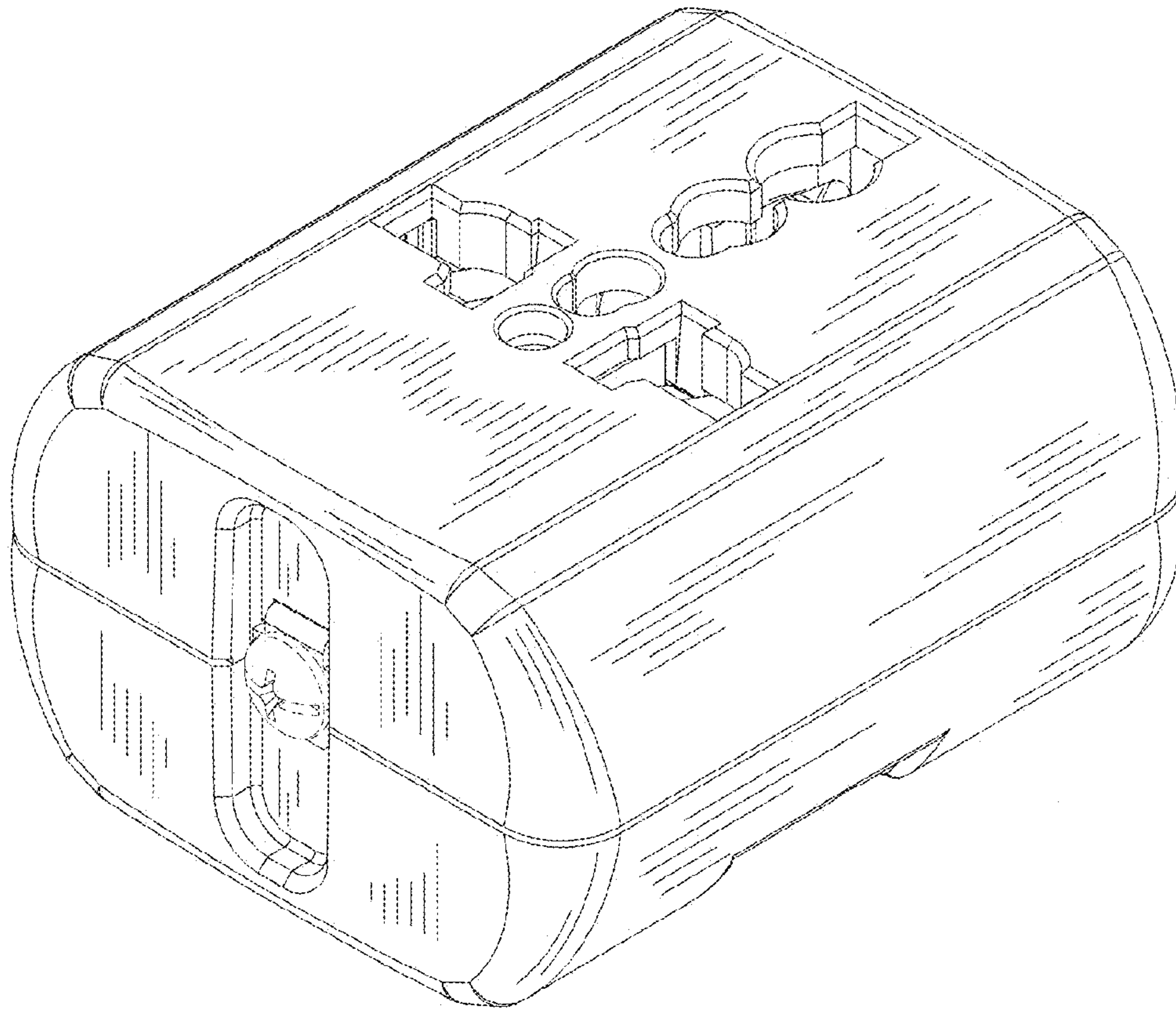


FIG.9