



US00D720693S

(12) **United States Design Patent**
Dasbach

(10) **Patent No.:** **US D720,693 S**
(45) **Date of Patent:** **** *Jan. 6, 2015**

- (54) **ACCUMULATOR**
- (71) Applicant: **Robert Bosch GmbH**, Stuttgart (DE)
- (72) Inventor: **Gregor Dasbach**, Reutlingen (DE)
- (73) Assignee: **Robert Bosch GmbH**, Stuttgart (DE)
- (*) Notice: This patent is subject to a terminal disclaimer.
- (**) Term: **14 Years**
- (21) Appl. No.: **29/482,888**
- (22) Filed: **Feb. 23, 2014**

D643,812 S *	8/2011	Kohlrausch	D13/110
D644,169 S *	8/2011	Kohlrausch	D13/110
D644,170 S *	8/2011	Kohlrausch	D13/110
D644,172 S *	8/2011	Kohlrausch	D13/110
D644,604 S *	9/2011	Kohlrausch	D13/110
D695,217 S *	12/2013	Dasbach	D13/110
D695,218 S *	12/2013	Dasbach	D13/110
D695,219 S *	12/2013	Dasbach	D13/110
D703,135 S *	4/2014	Dasbach	D13/110

* cited by examiner

Primary Examiner — Derrick Holland

(74) *Attorney, Agent, or Firm* — Maginot, Moore & Beck LLP

(57) **CLAIM**

The ornamental design for an accumulator, as shown and described.

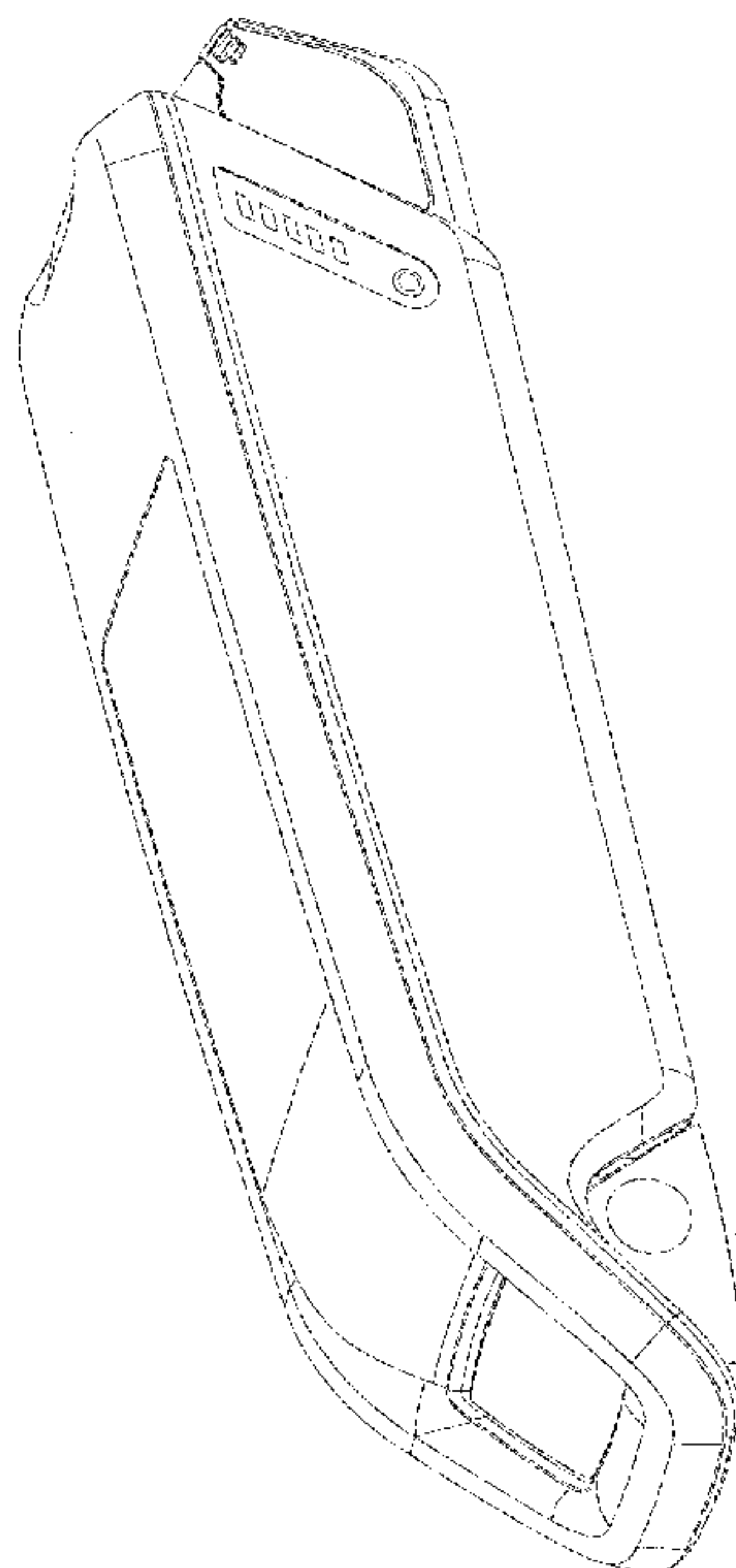
DESCRIPTION

FIG. 1 is a perspective view of an accumulator showing my new design;
 FIG. 2 is a right side elevational view showing the design for the accumulator of FIG. 1;
 FIG. 3 is a left side elevational view showing the design for the accumulator of FIG. 1;
 FIG. 4 is a front elevational view showing the design for the accumulator of FIG. 1;
 FIG. 5 is a rear elevational view showing the design for the accumulator of FIG. 1;
 FIG. 6 is a top plan view showing the design for the accumulator of FIG. 1; and,
 FIG. 7 is a bottom plan view showing the design for the accumulator of FIG. 1.
 The broken lines shown in the drawings illustrate portions of the accumulator that form no part of the claimed design.

- (30) **Foreign Application Priority Data**
- Aug. 23, 2013 (EM) 002295733
- (51) **LOC (10) Cl.** **13-02**
- (52) **U.S. Cl.**
- USPC **D13/110**
- (58) **Field of Classification Search**
- USPC D13/110, 101, 107, 108, 118, 133, 162, 184, 199; D15/148, 199; D20/9; 307/46, 66, 67, 151, 152; 310/83, 90, 98; 194/215, 216, 220, 225, 228; 237/44, 75; 903/903, 960
- See application file for complete search history.

- (56) **References Cited**
- U.S. PATENT DOCUMENTS**
- 6,328,612 B1 * 12/2001 Chung 439/717
- D568,241 S * 5/2008 Heine et al. D13/110
- D589,877 S * 4/2009 Wiegmann D13/110

1 Claim, 7 Drawing Sheets



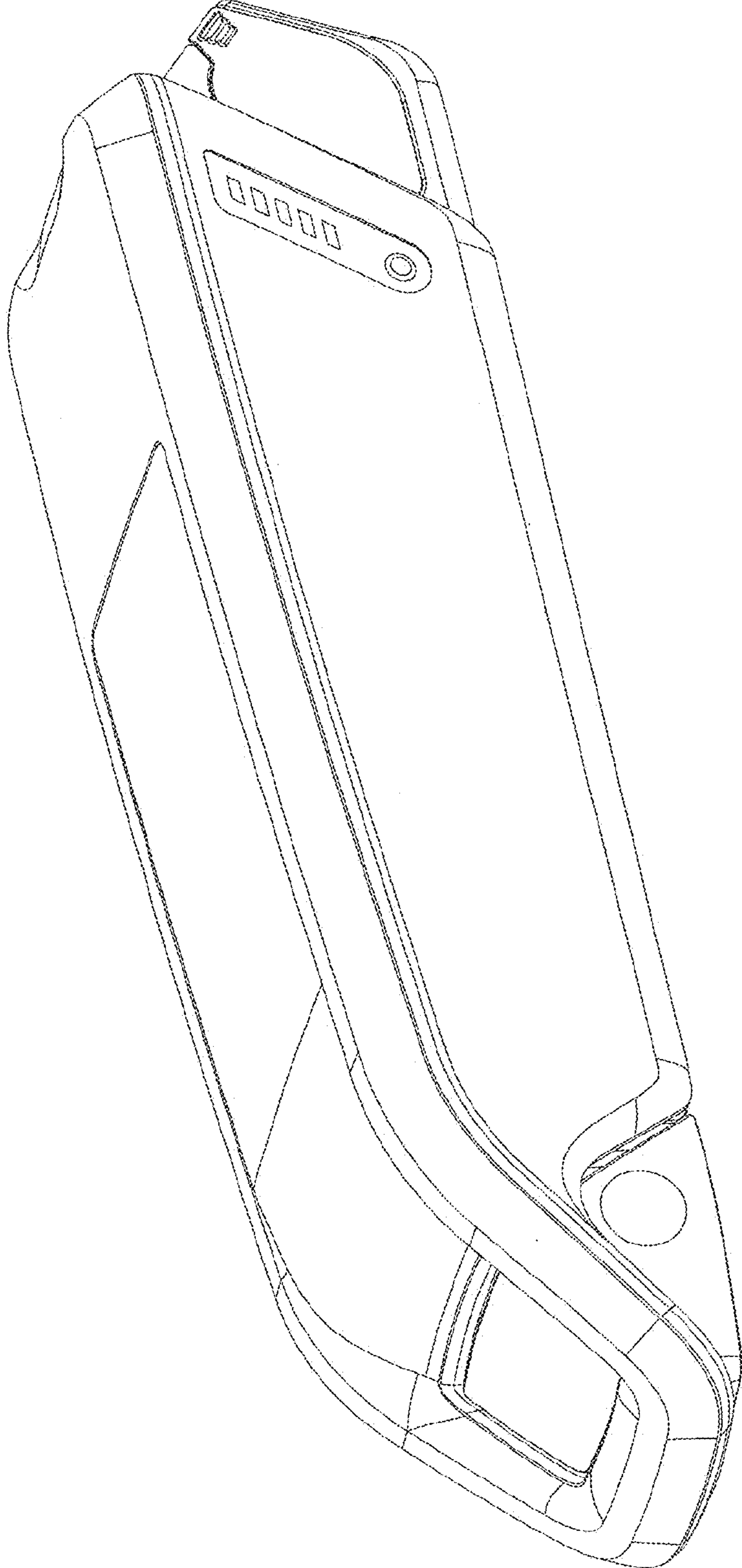


FIG. 1

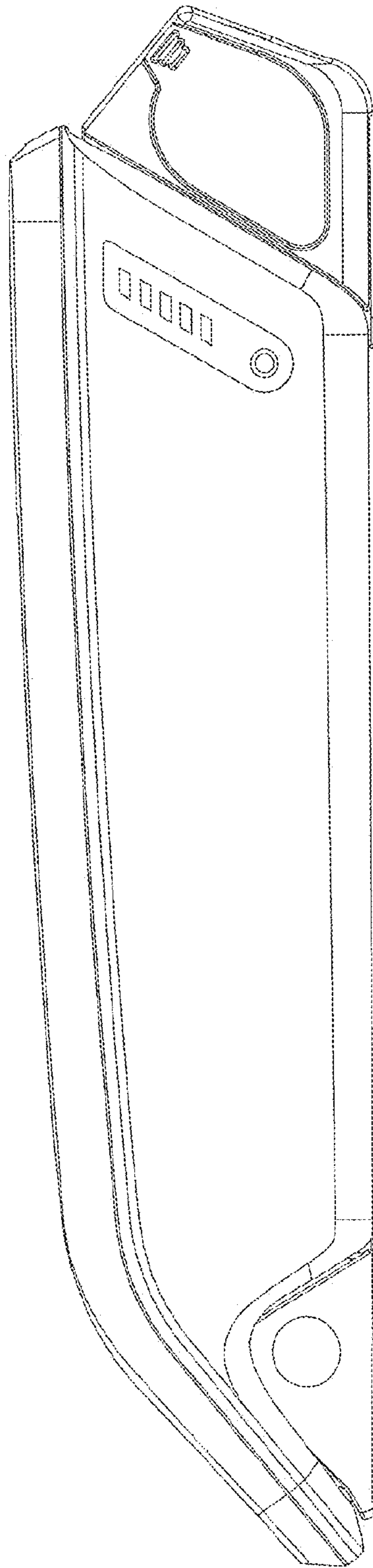


FIG. 2

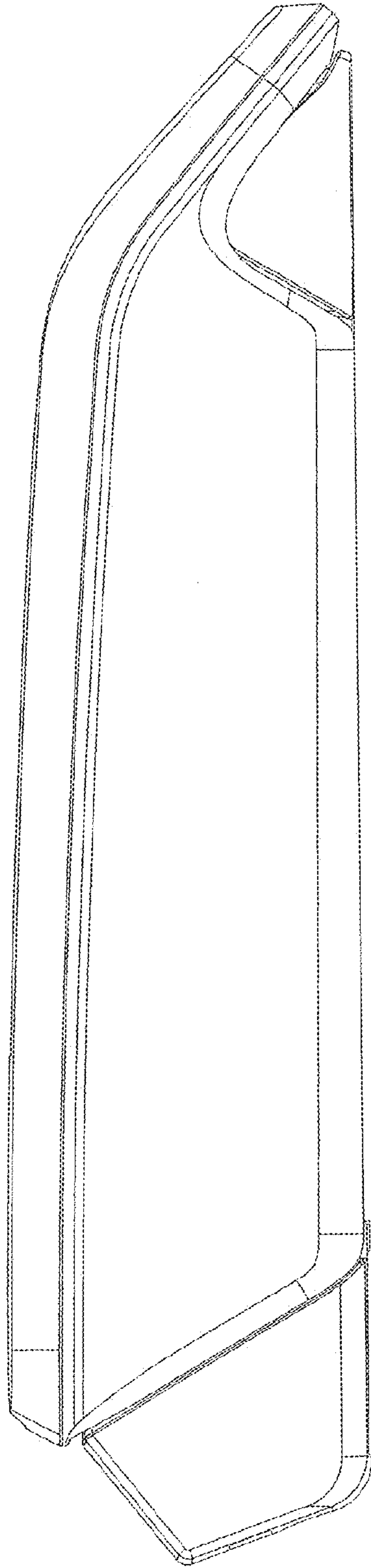


FIG. 3

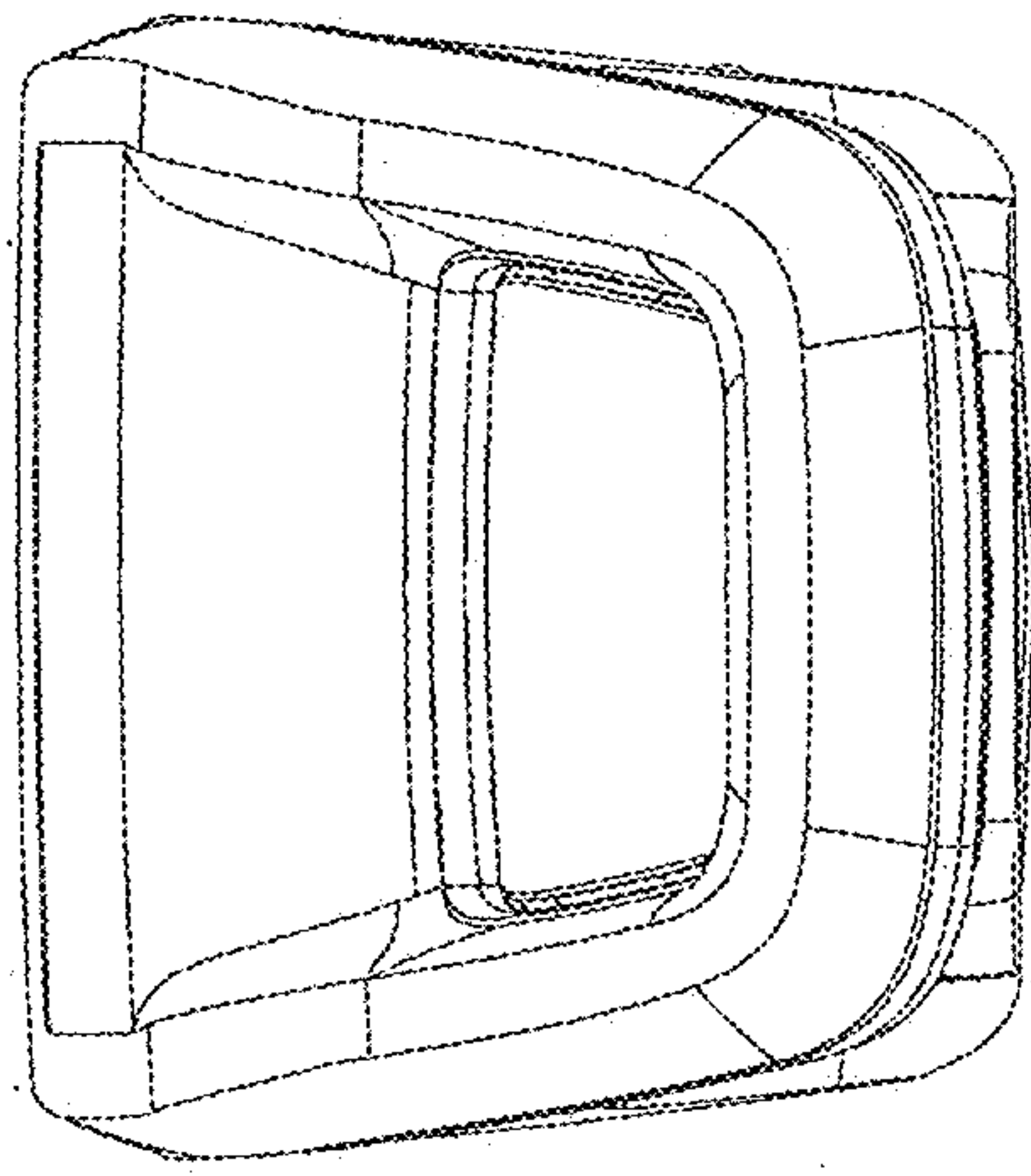


FIG. 4

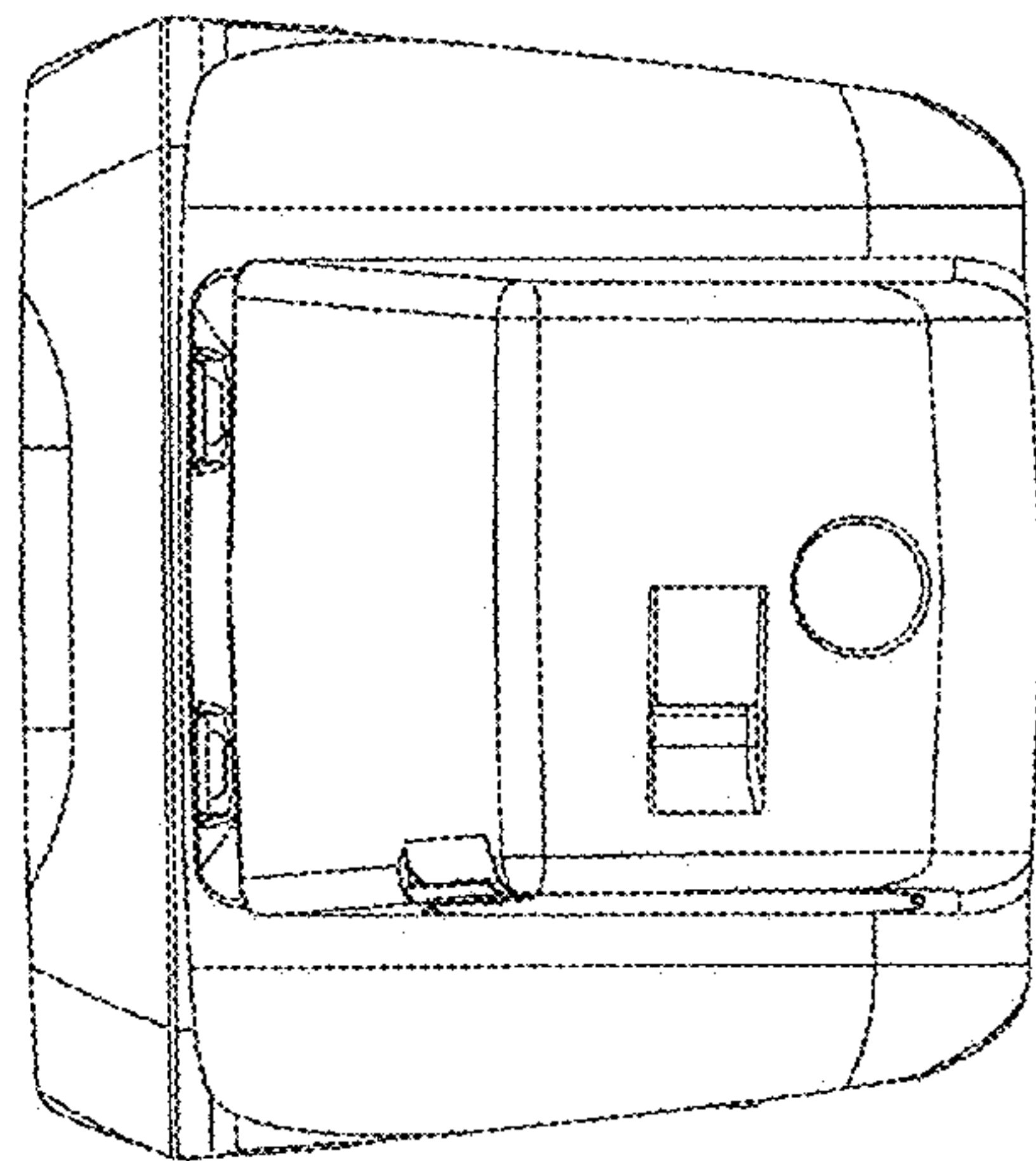


FIG. 5

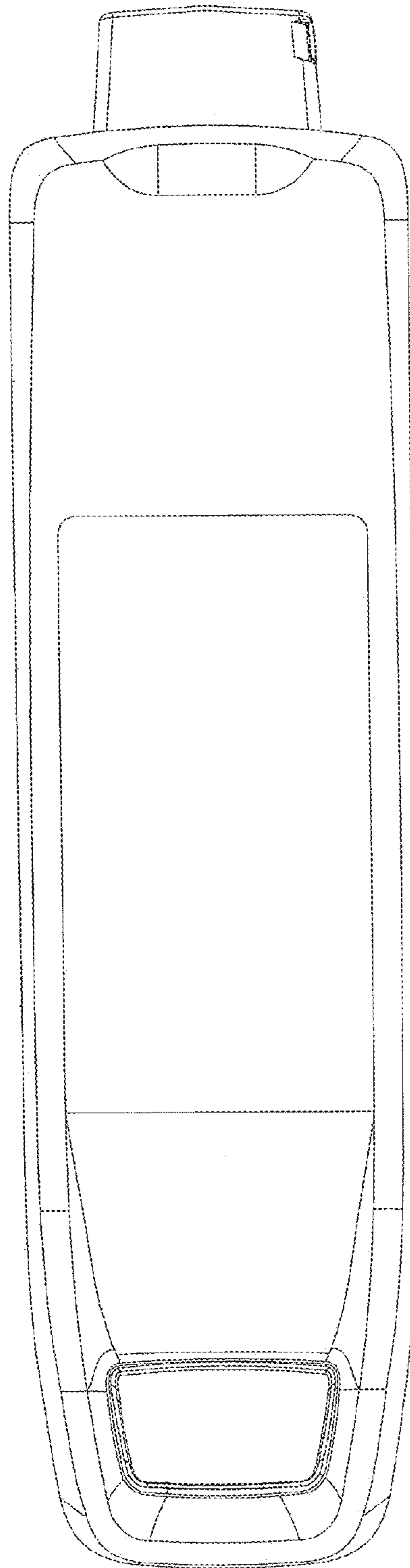


FIG. 6

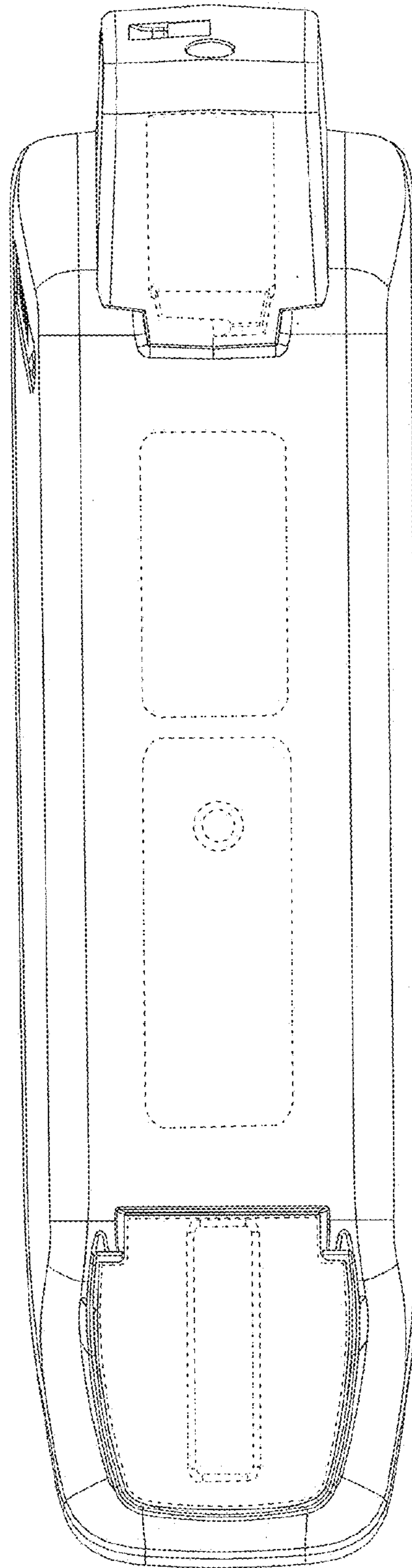


FIG. 7