



US00D720692S

(12) **United States Design Patent**
Matsuoka

(10) **Patent No.:** **US D720,692 S**
(45) **Date of Patent:** **** Jan. 6, 2015**

(54) **POWER ADAPTER**

DESCRIPTION

(71) Applicant: **Google Inc.**, Mountain View, CA (US)
(72) Inventor: **Yoshimichi Matsuoka**, Cupertino, CA (US)
(73) Assignee: **Google Inc.**, Mountain View, CA (US)
(**) Term: **14 Years**
(21) Appl. No.: **29/448,148**
(22) Filed: **Mar. 11, 2013**
(51) **LOC (10) Cl.** **13-02**
(52) **U.S. Cl.**
USPC **D13/110**
(58) **Field of Classification Search**
USPC D13/103, 106, 107, 108, 110, 138.1,
D13/147; D14/432, 433, 511; 307/145, 150,
307/151; 320/107, 108, 111, 114; 363/109,
363/143, 146; 439/13, 131, 172, 173, 365,
439/371, 639, 640
See application file for complete search history.

(56) **References Cited**

U.S. PATENT DOCUMENTS

D347,617 S * 6/1994 Tattari D13/107
D398,581 S * 9/1998 Chang D13/138.1
D432,497 S * 10/2000 Totsuka et al. D13/110
D473,515 S * 4/2003 Salazar et al. D13/107
D486,125 S * 2/2004 Lim D13/108

(Continued)

Primary Examiner — Derrick Holland
Assistant Examiner — Jennifer O King

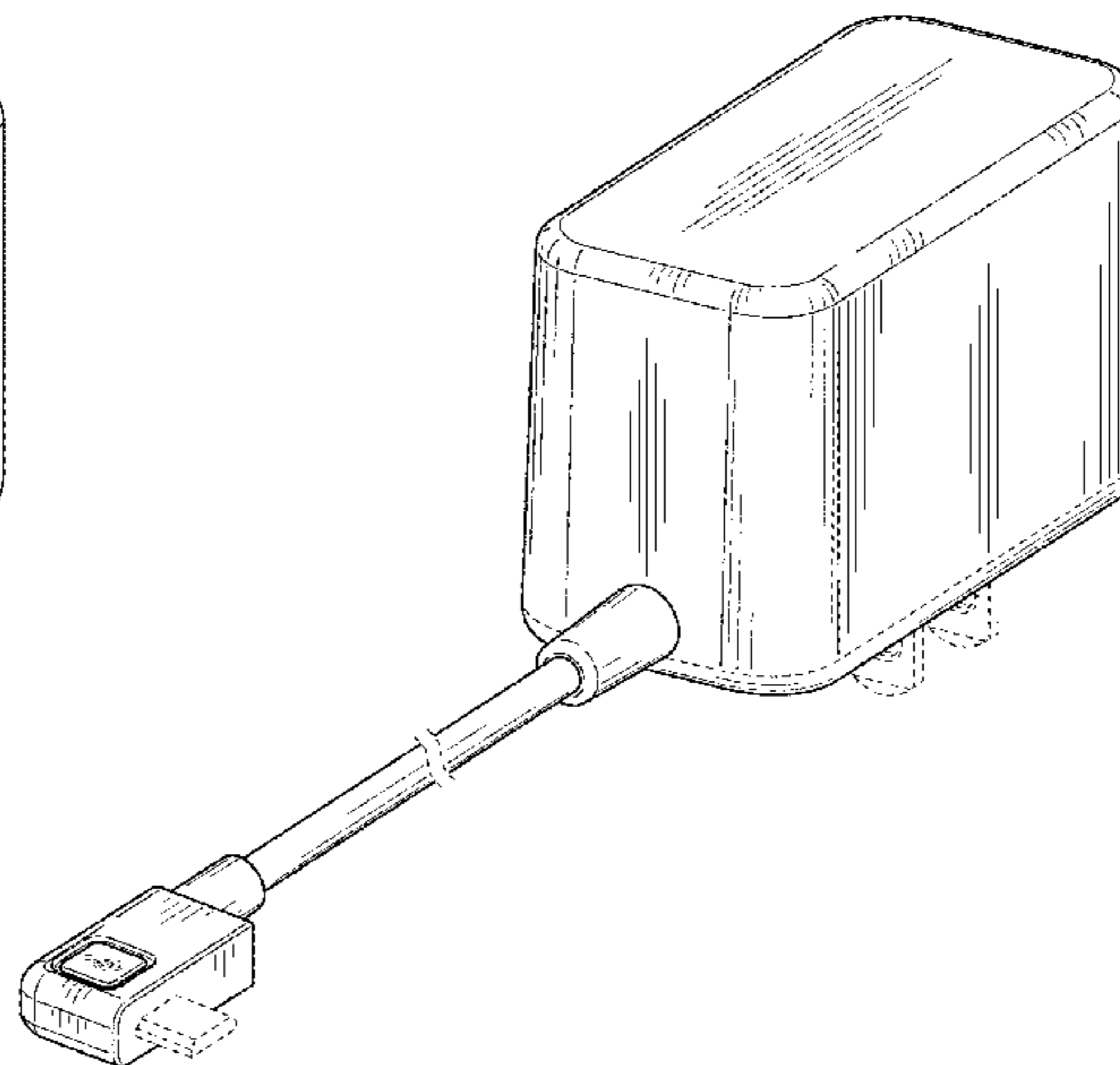
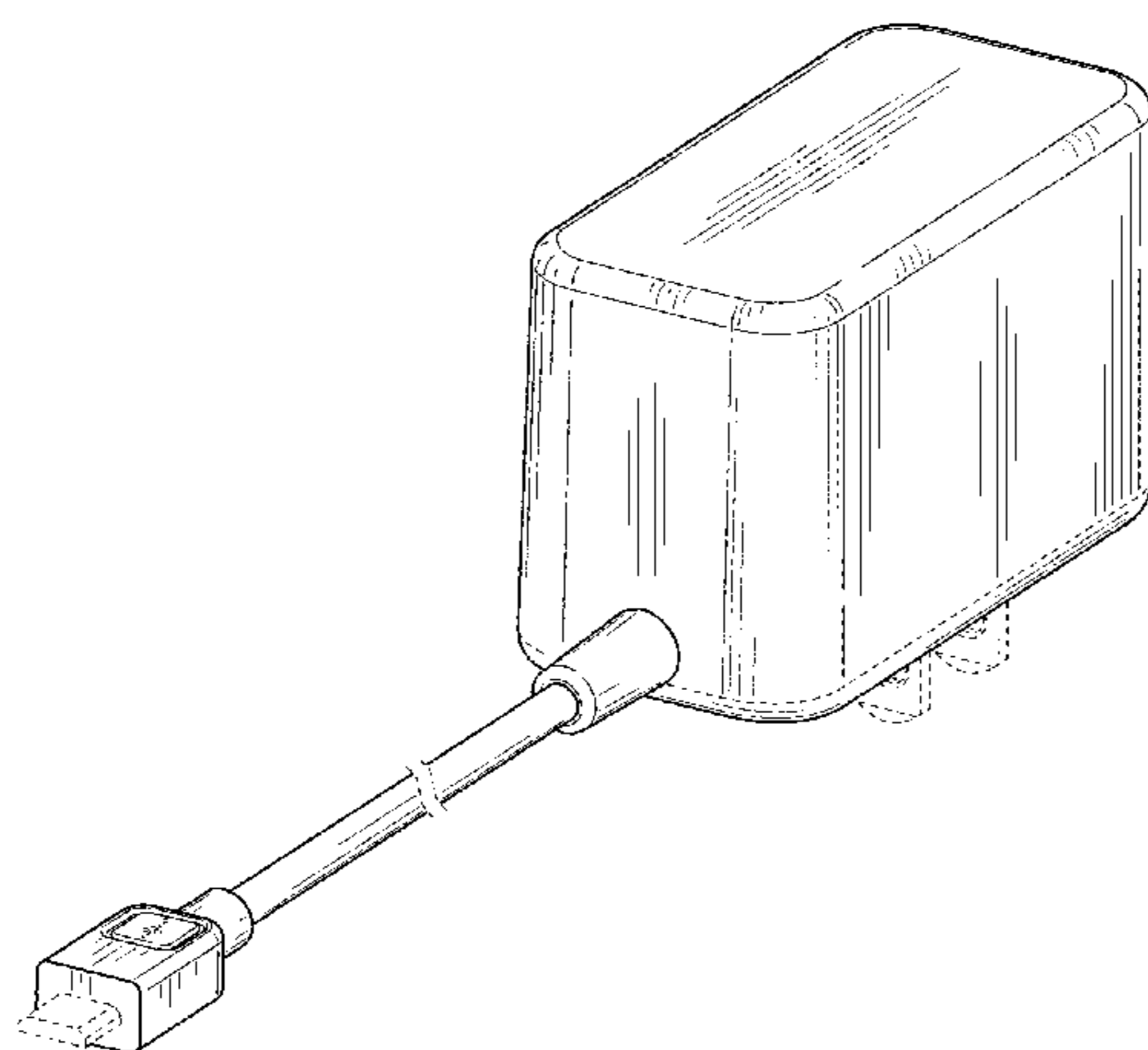
(74) *Attorney, Agent, or Firm* — Lerner, David, Littenberg,
Krumholz & Mentlik, LLP

(57) **CLAIM**

The ornamental design for a power adapter, as shown and described.

FIG. 1 is a front-top perspective view of a power adapter according to a first embodiment of my design;
FIG. 2 is a front elevation view thereof;
FIG. 3 is a back elevation view thereof;
FIG. 4 is a right elevation view thereof;
FIG. 5 is a left elevation view thereof;
FIG. 6 is a top elevation view thereof;
FIG. 7 is a bottom elevation view thereof;
FIG. 8 is a front-top perspective view of a power adapter according to a second embodiment of my design;
FIG. 9 is a front elevation view thereof;
FIG. 10 is a back elevation view thereof;
FIG. 11 is a right elevation view thereof;
FIG. 12 is a left elevation view thereof;
FIG. 13 is a top elevation view thereof;
FIG. 14 is a bottom elevation view thereof;
FIG. 15 is a front-top perspective view of a power adapter according to a third embodiment of my design;
FIG. 16 is a front elevation view thereof;
FIG. 17 is a back elevation view thereof;
FIG. 18 is a right elevation view thereof;
FIG. 19 is a left elevation view thereof;
FIG. 20 is a top elevation view thereof;
FIG. 21 is a bottom elevation view thereof;
FIG. 22 is a front-top perspective view of a power adapter according to a fourth embodiment of my design;
FIG. 23 is a front elevation view thereof;
FIG. 24 is a back elevation view thereof;
FIG. 25 is a right elevation view thereof;
FIG. 26 is a left elevation view thereof;
FIG. 27 is a top elevation view thereof; and,
FIG. 28 is a bottom elevation view thereof.
The broken lines shown represent unclaimed subject matter and form no part of the claimed design.
The cord of the power adapter has been shown broken in the middle to indicate indeterminate length. The examiner finds the claim definite under 35 USC 112, second paragraph, with the understanding that the “indeterminate” portion of the article forms no part of the claim design. Patentability is based only on those portions of the power adapter that are shown in solid lines.

1 Claim, 16 Drawing Sheets



(56)

References Cited

U.S. PATENT DOCUMENTS

D531,581 S * 11/2006 Wang et al. D13/147
7,156,673 B2 * 1/2007 Son 439/131
D553,092 S * 10/2007 Arai et al. D13/147

D583,317 S * 12/2008 Kagami et al. D13/108
D595,224 S * 6/2009 Seil et al. D13/110
D638,363 S * 5/2011 Ledbetter et al. D13/147
2004/0209499 A1 * 10/2004 Chung 439/131

* cited by examiner

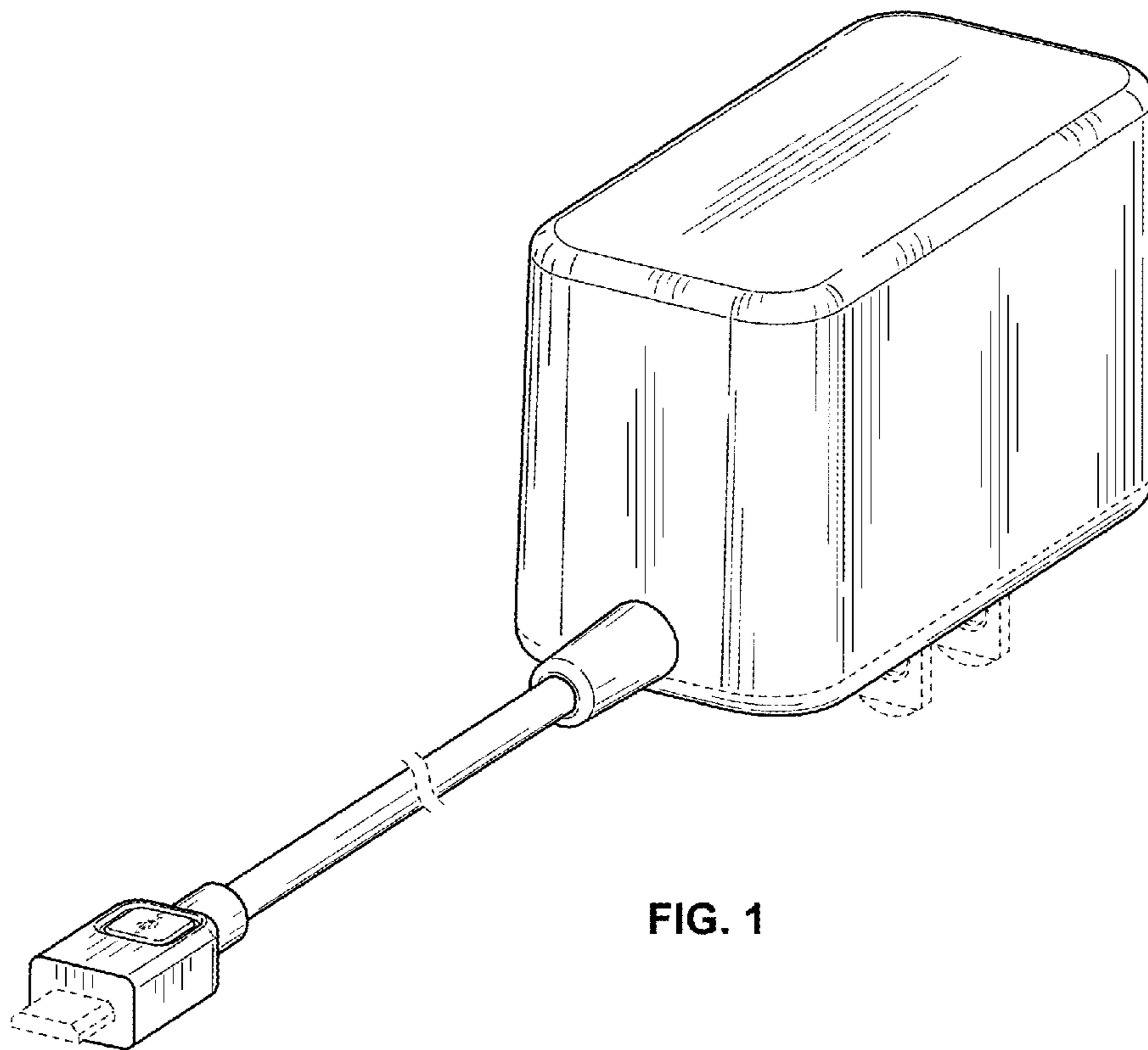


FIG. 1

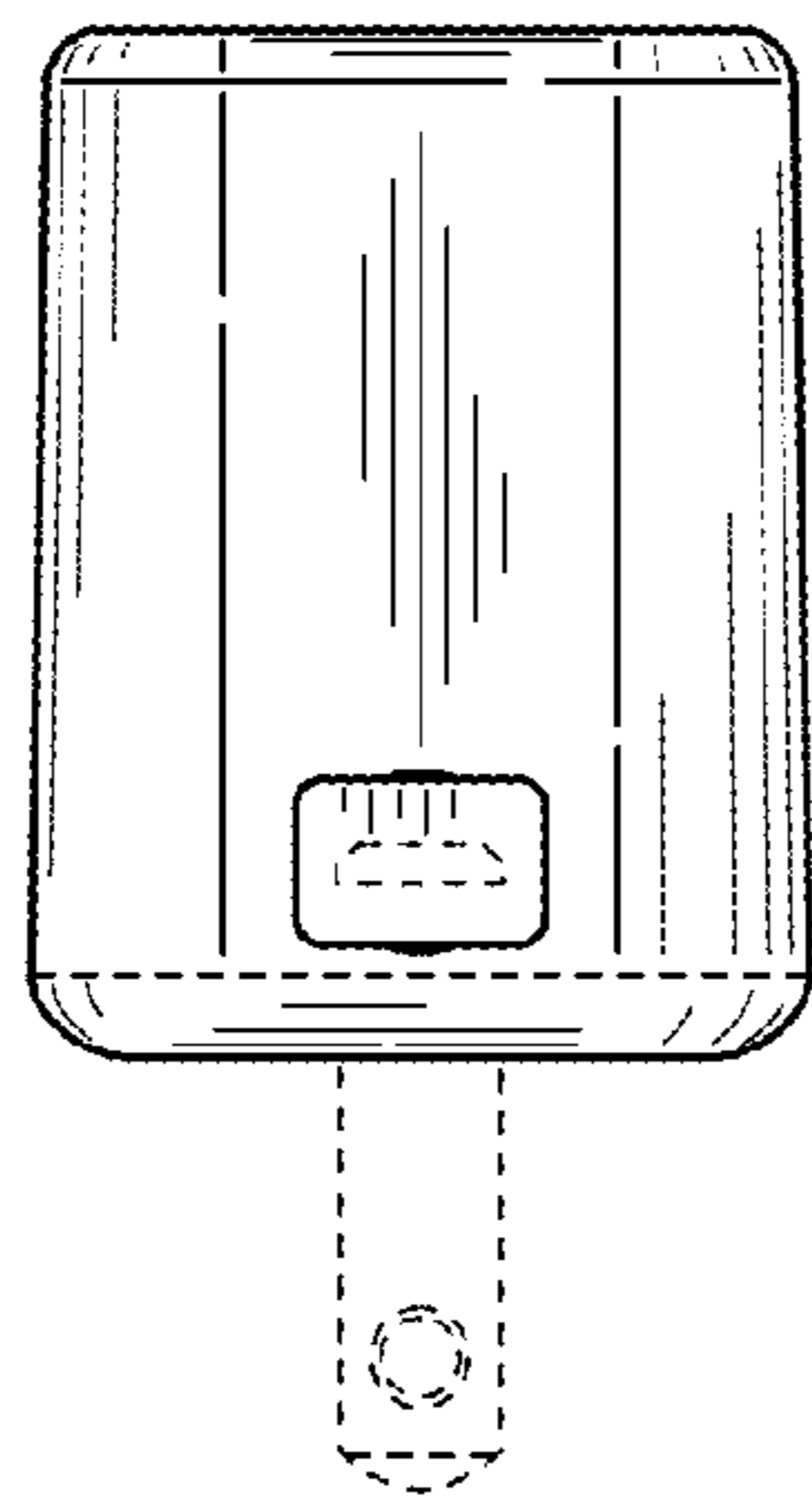


FIG. 2

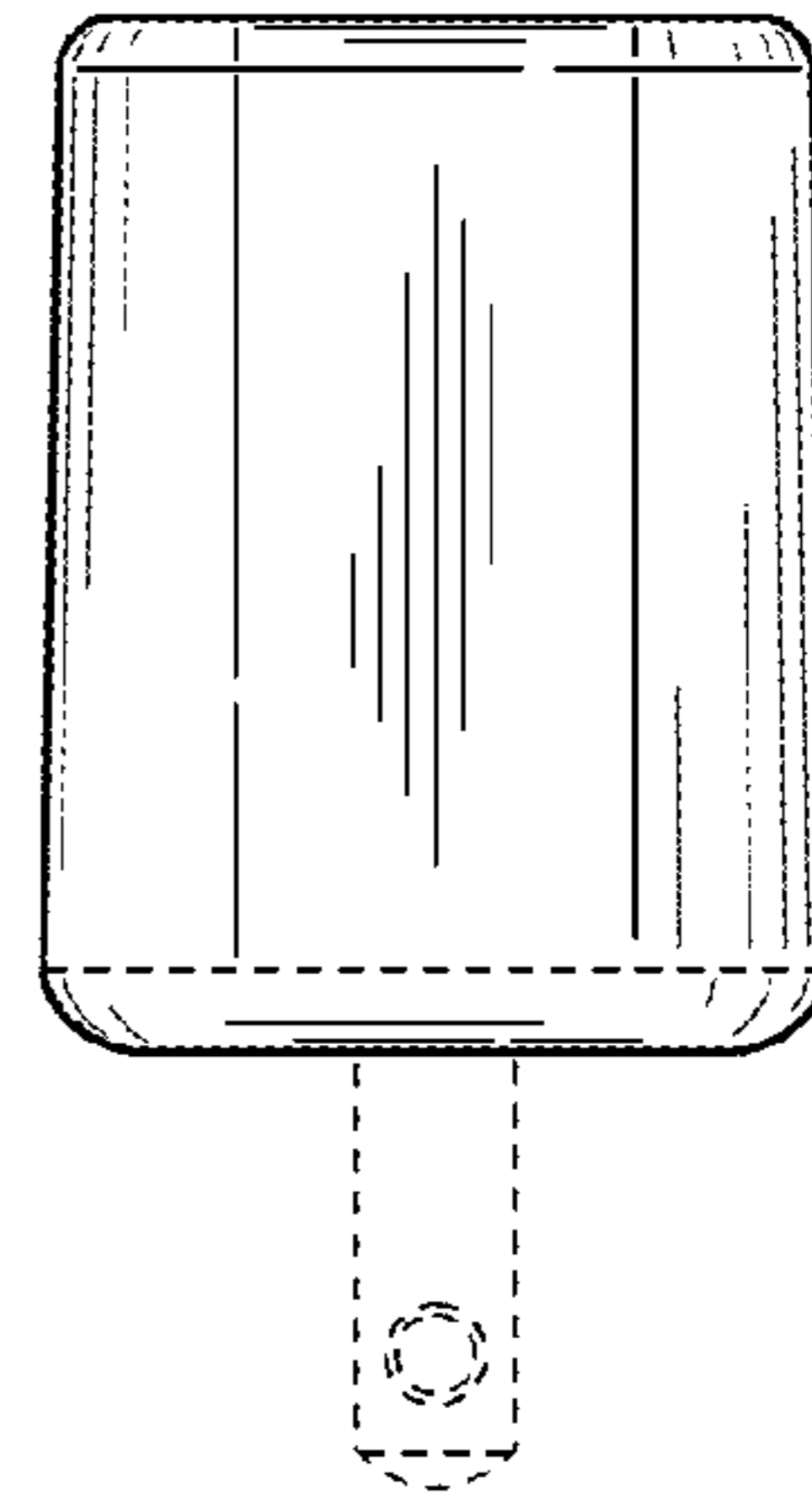


FIG. 3

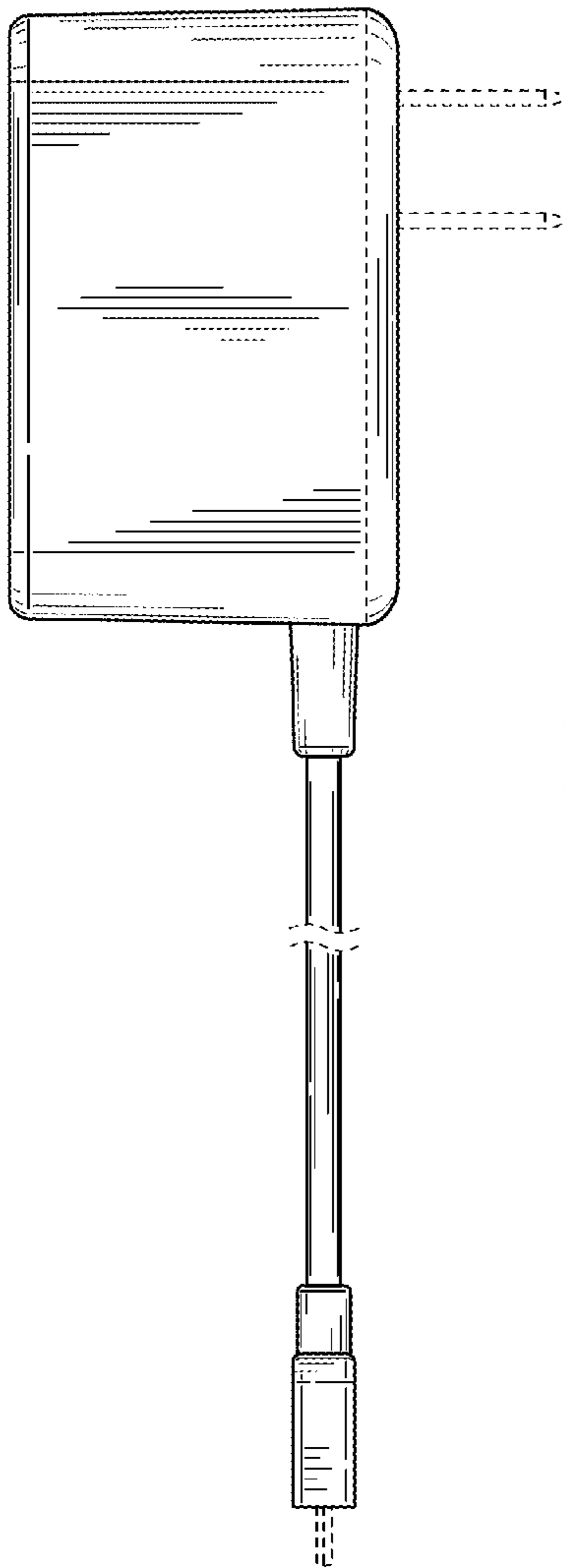


FIG. 4

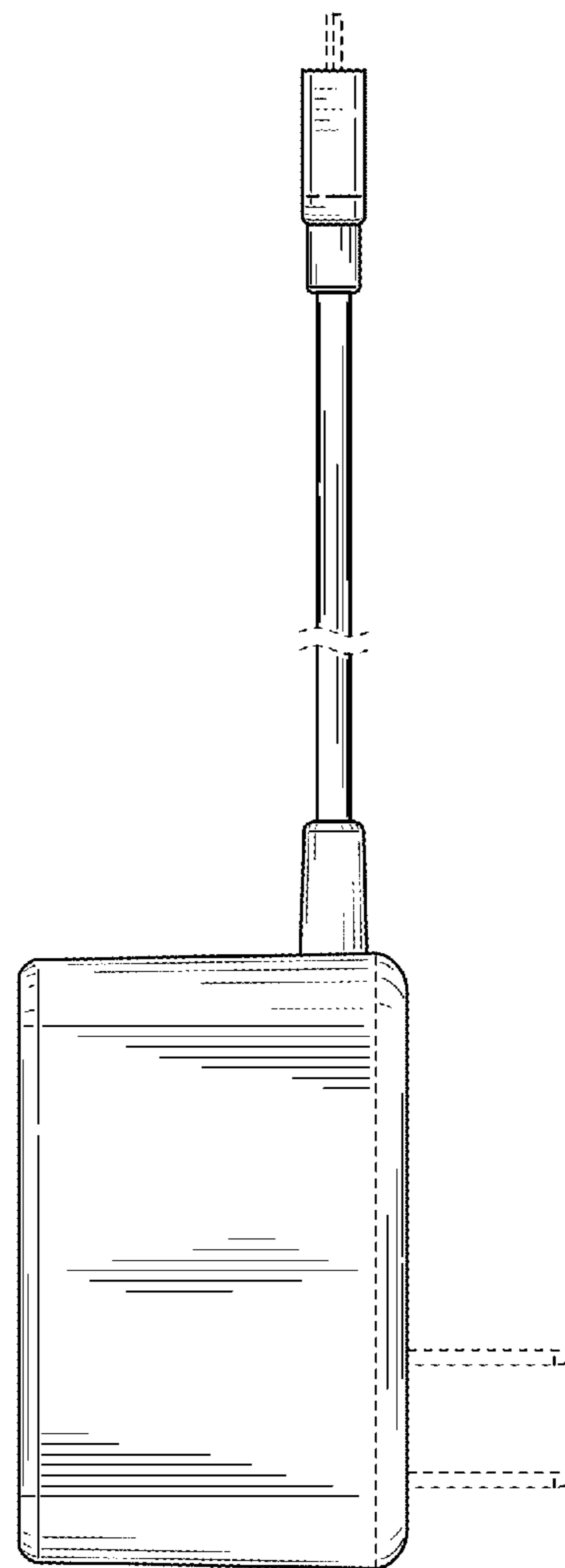


FIG. 5

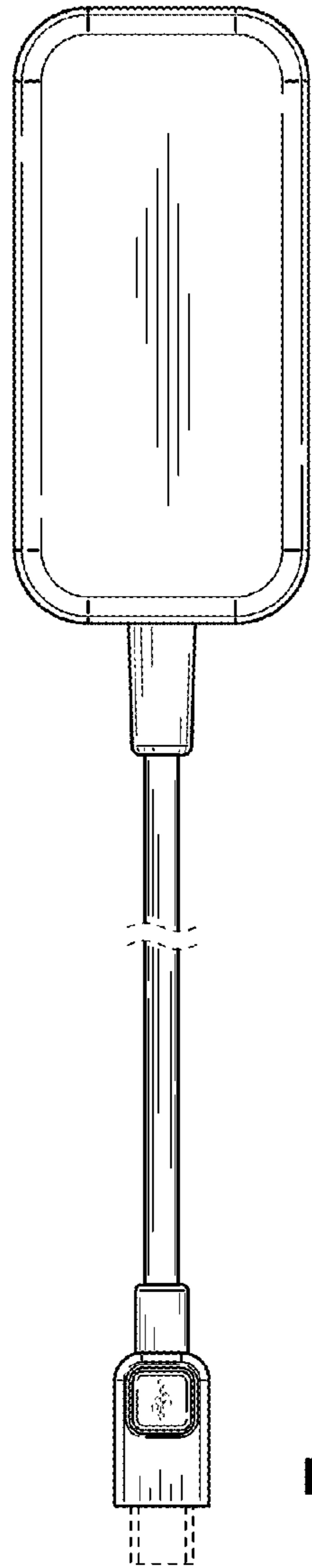


FIG. 6

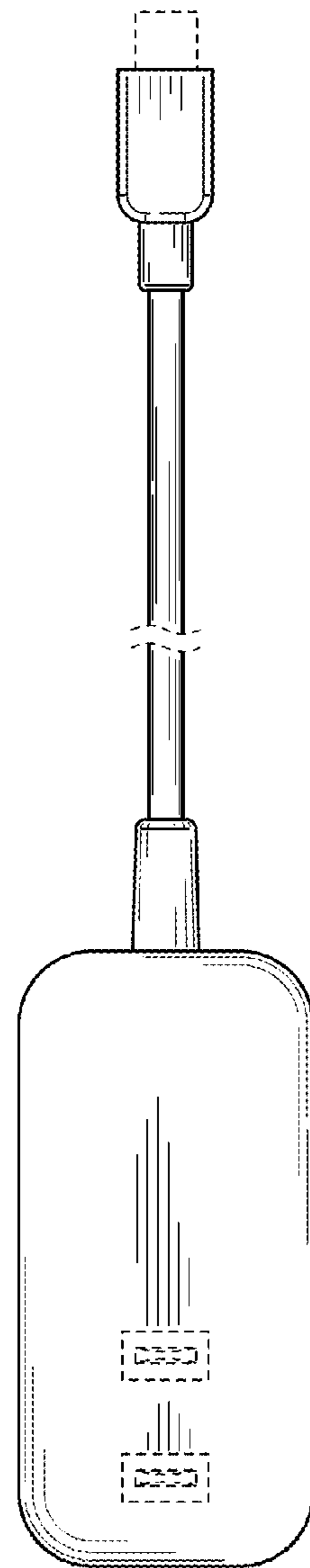


FIG. 7

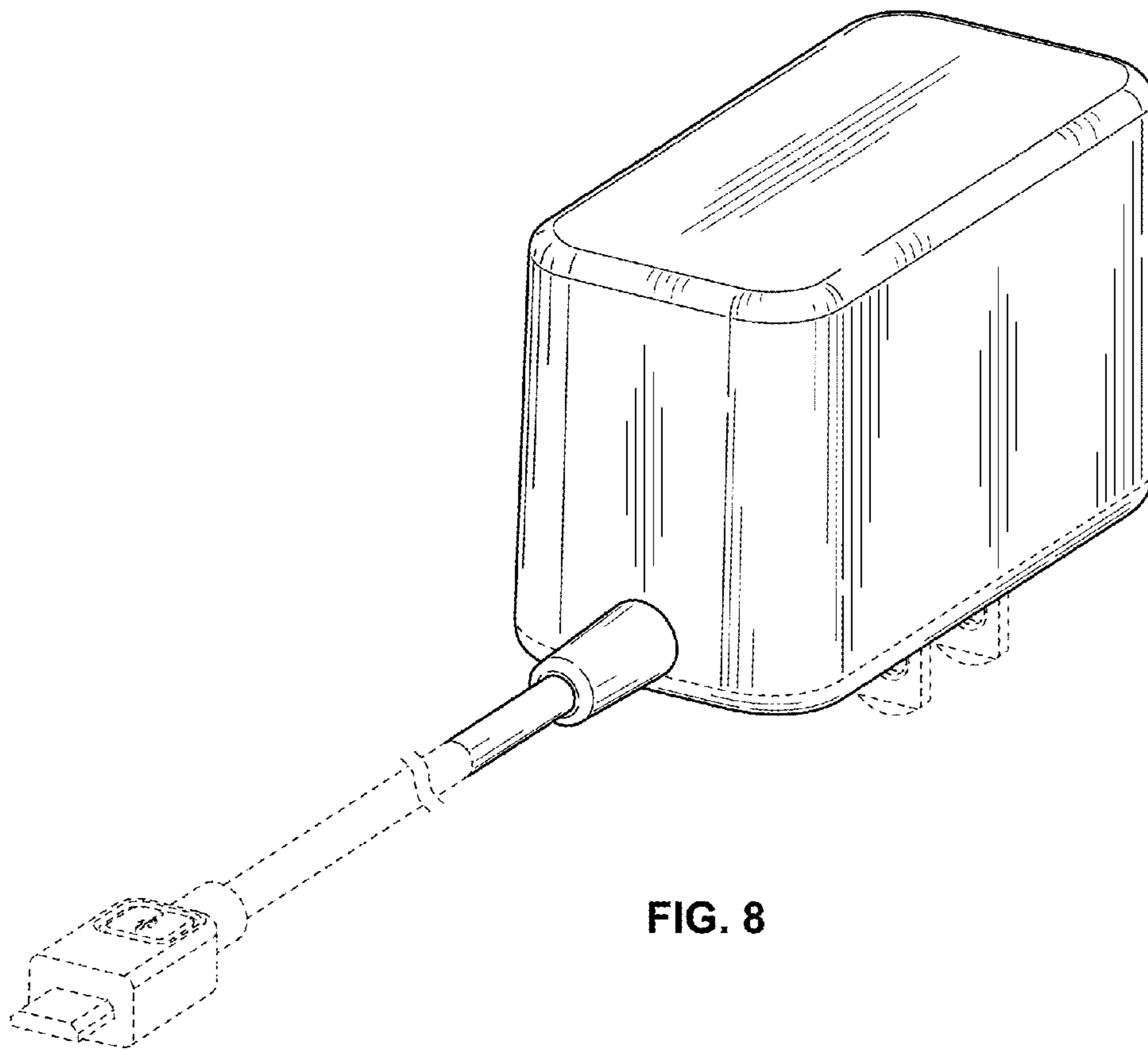


FIG. 8

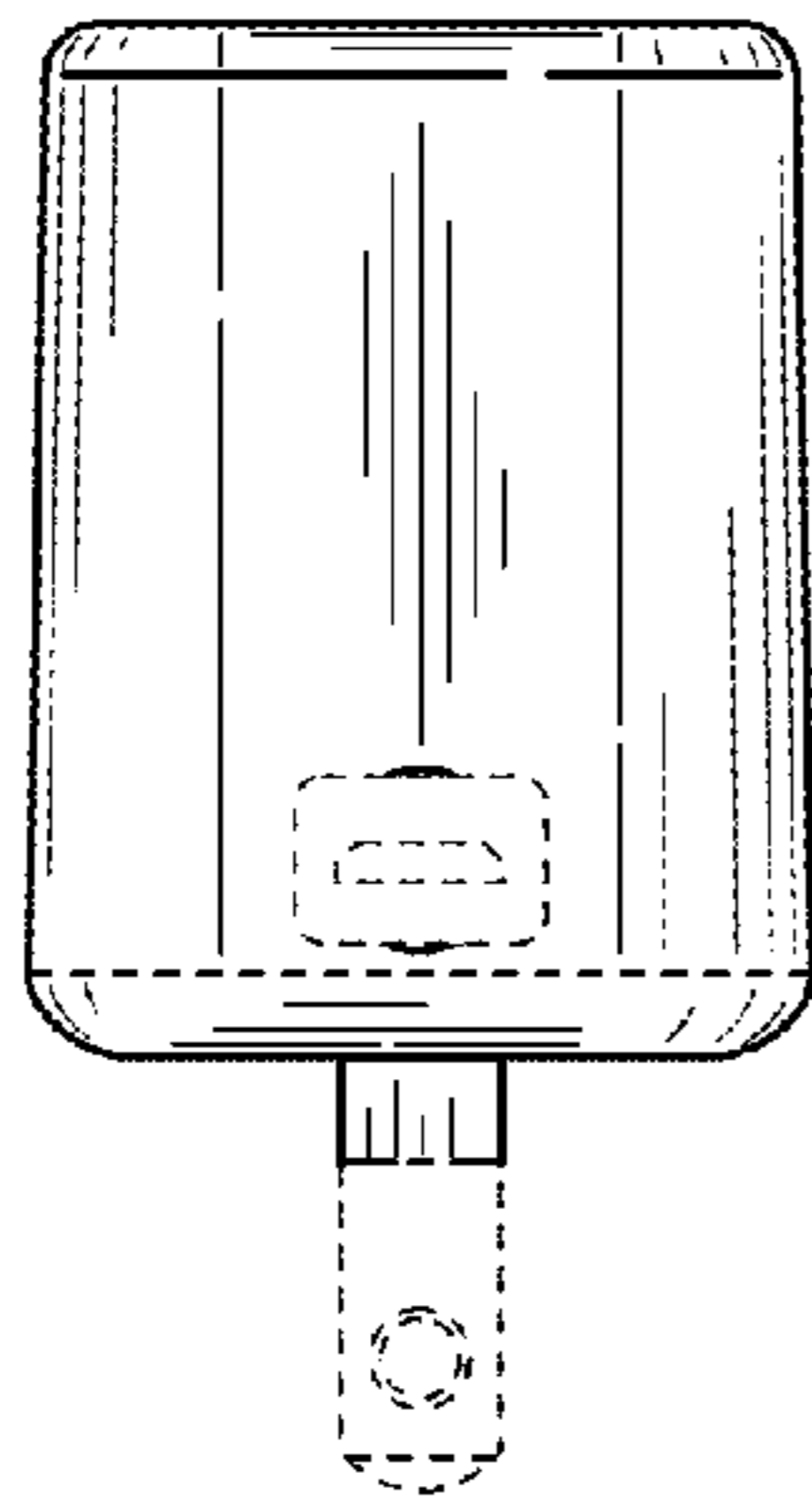


FIG. 9

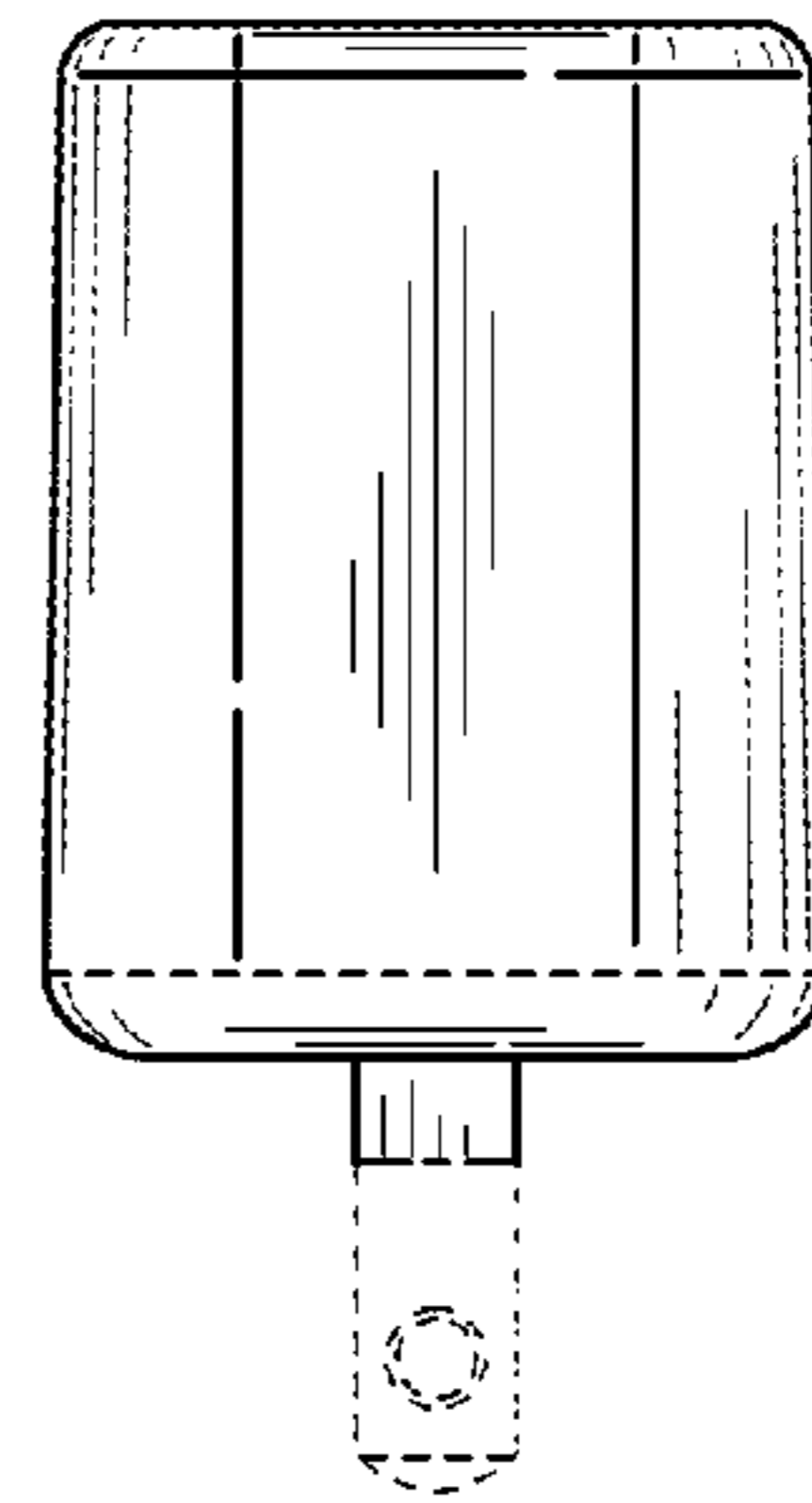


FIG. 10

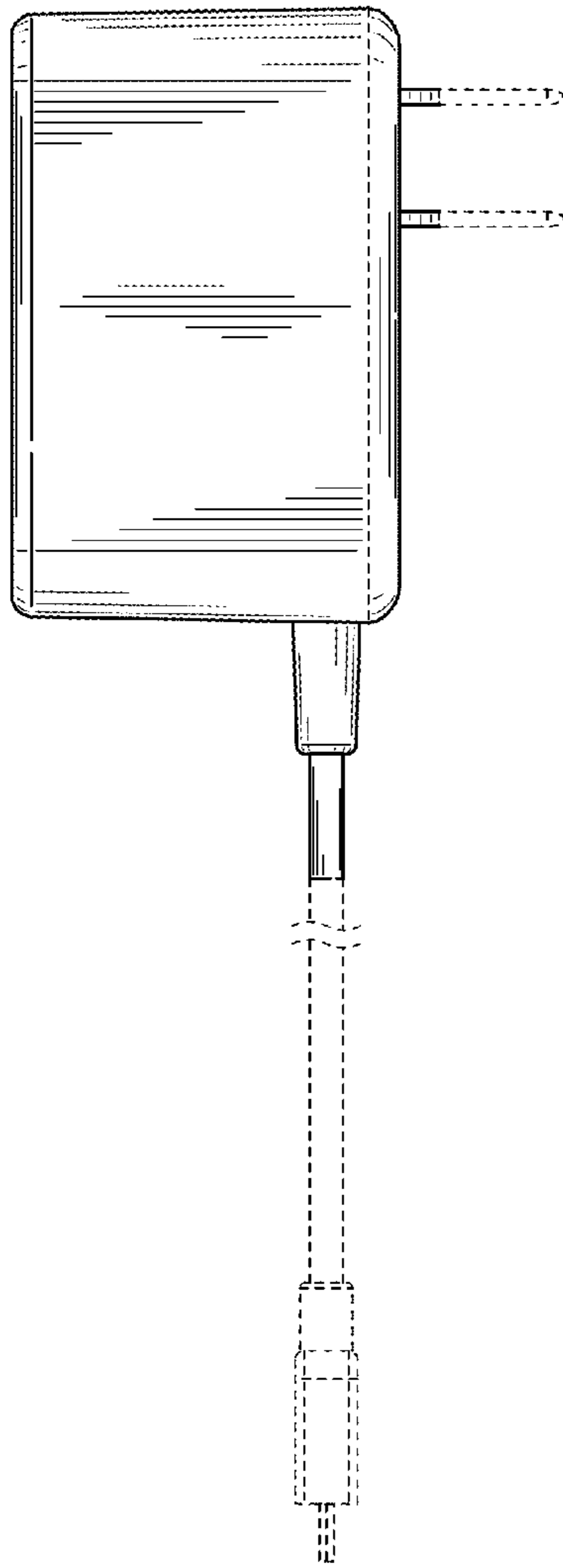


FIG. 11

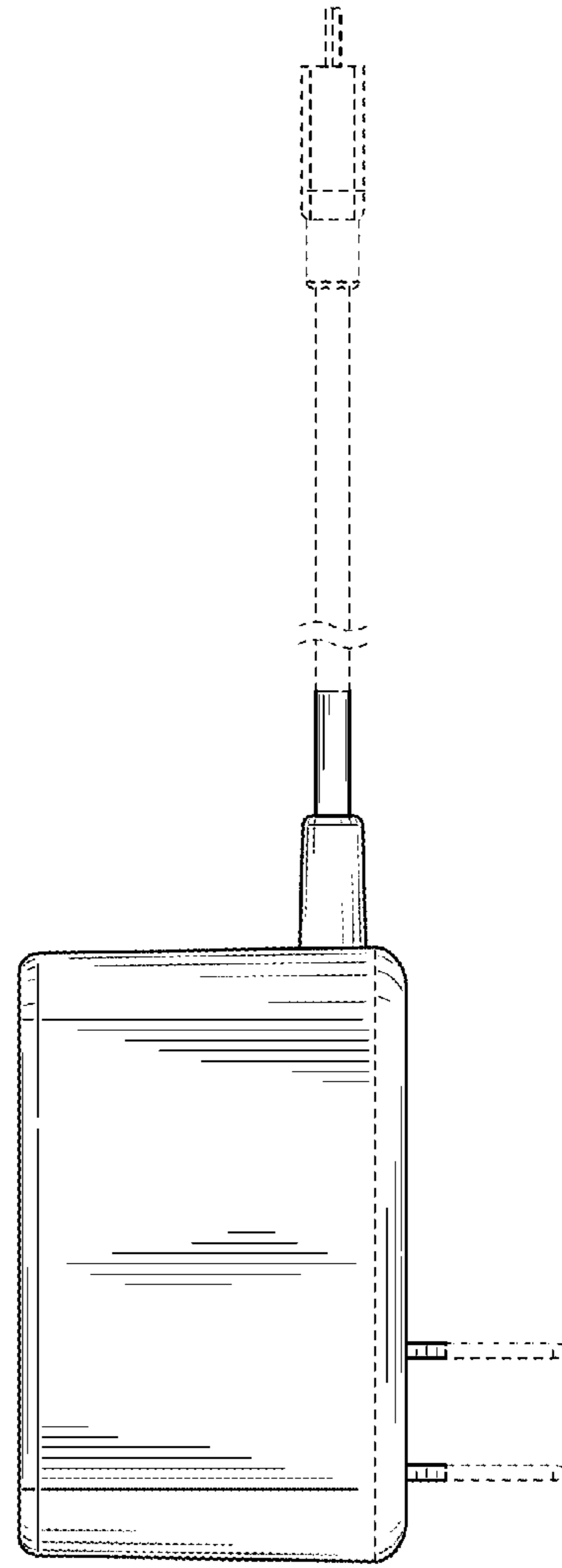


FIG. 12

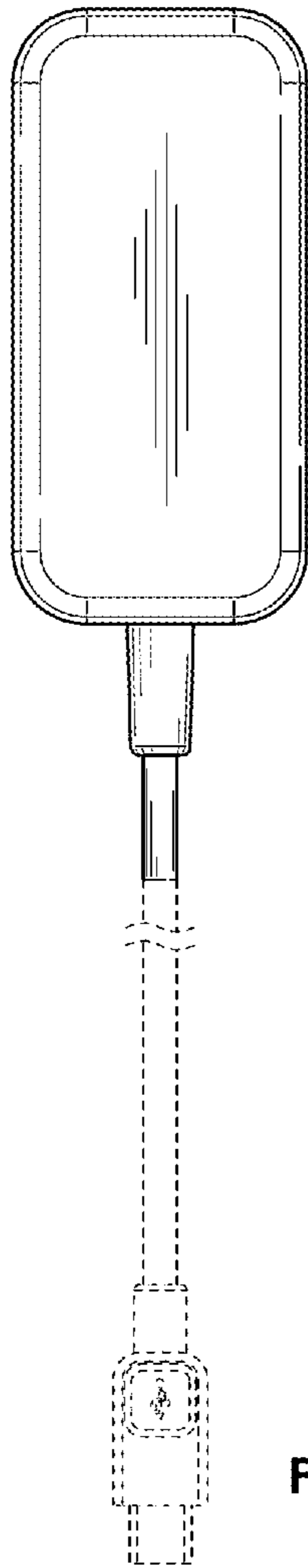


FIG. 13

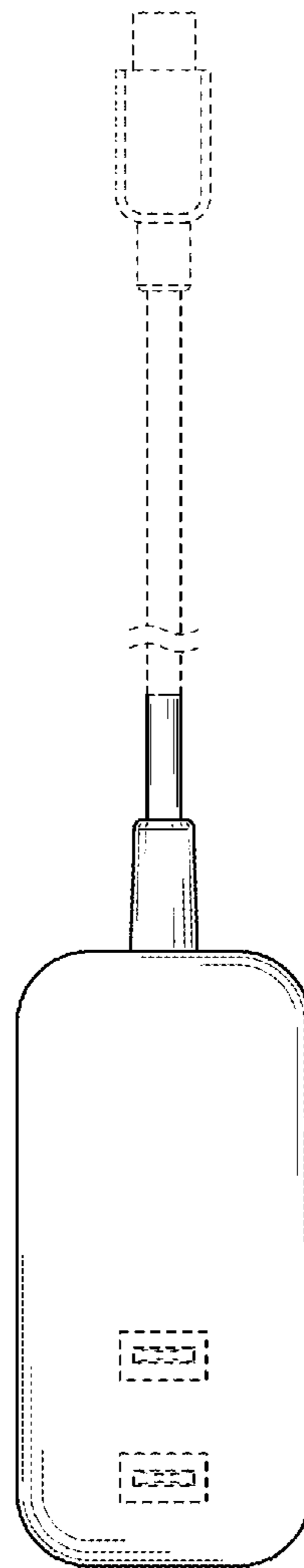


FIG. 14

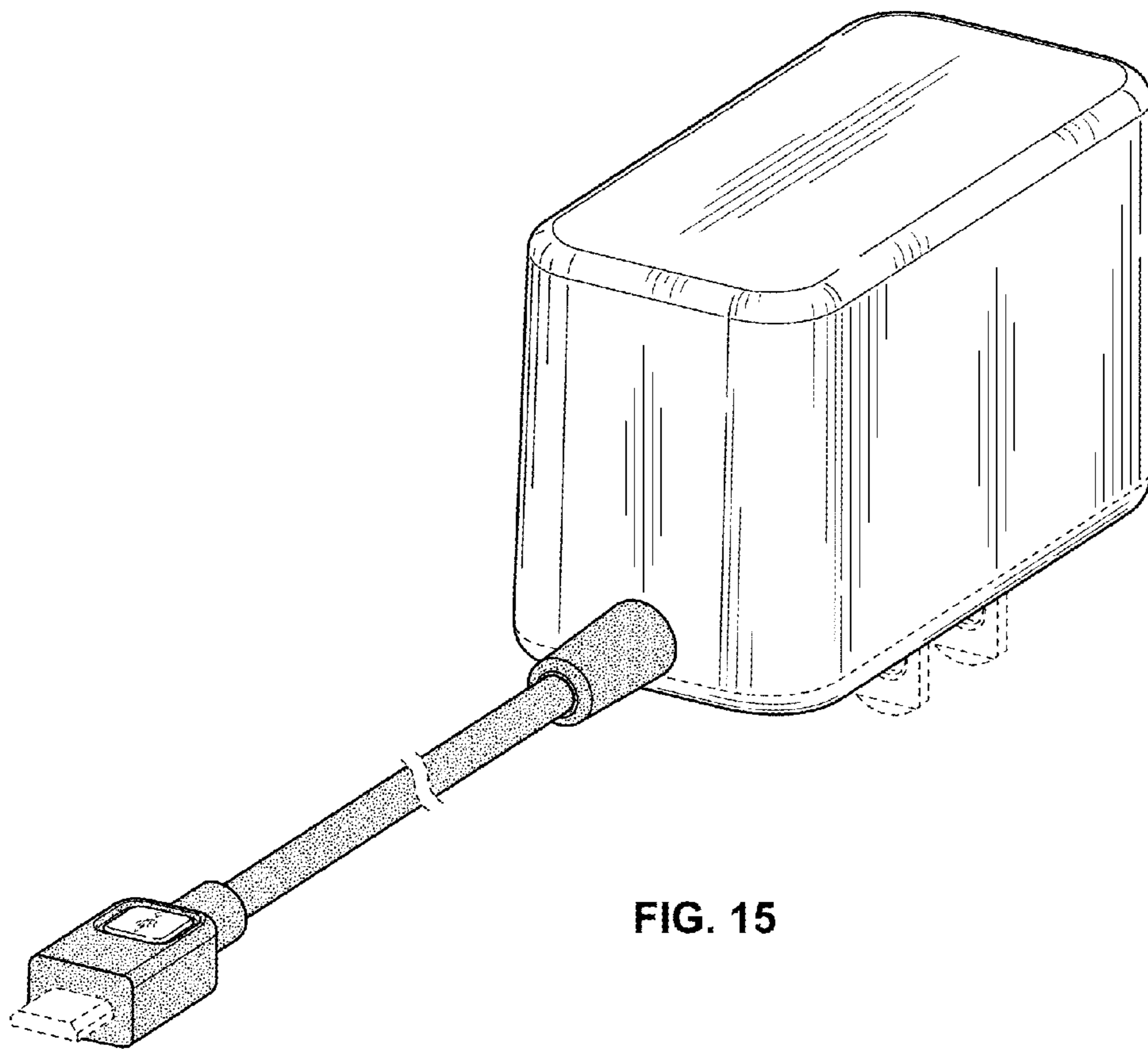


FIG. 15

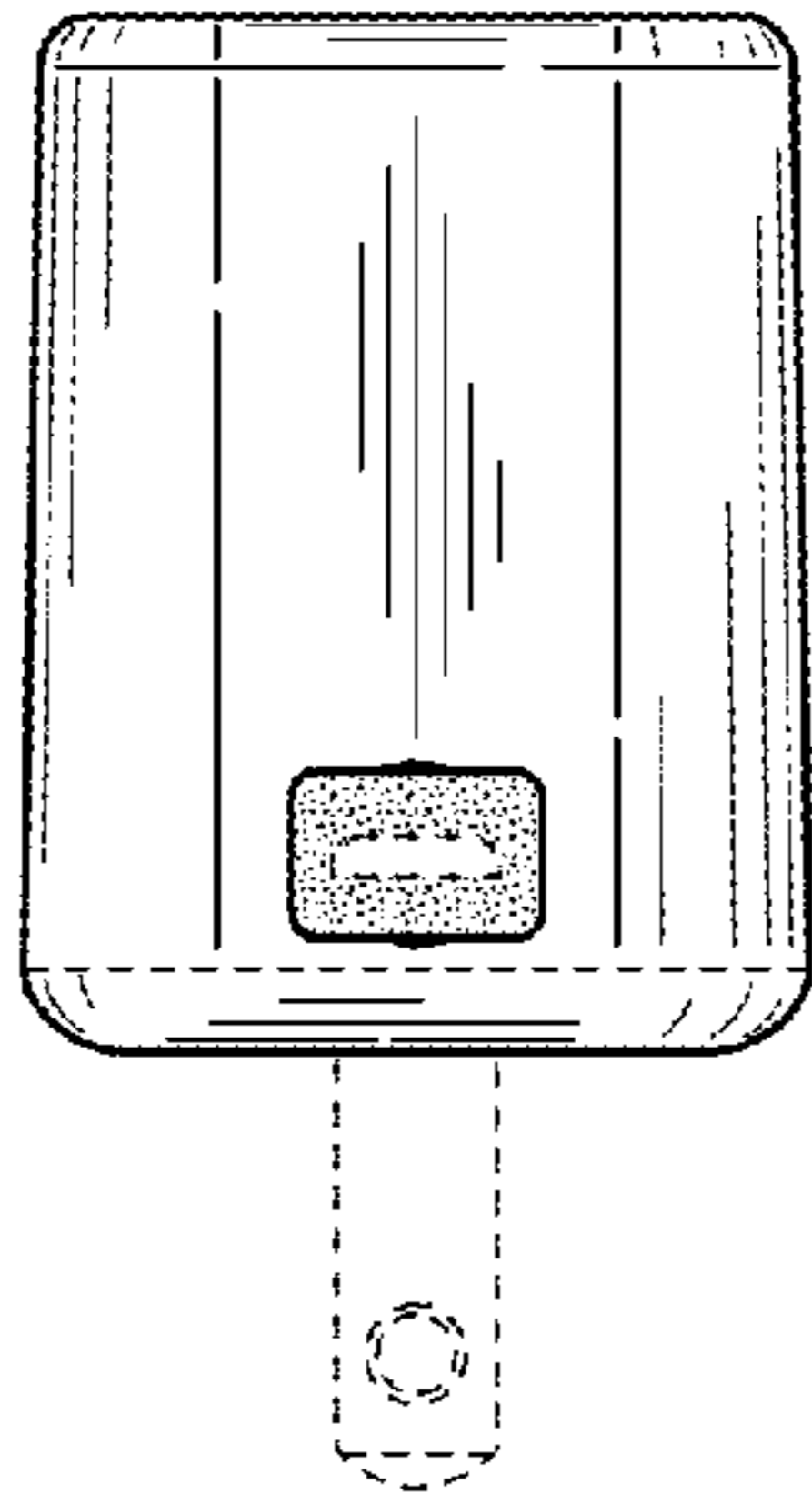


FIG. 16

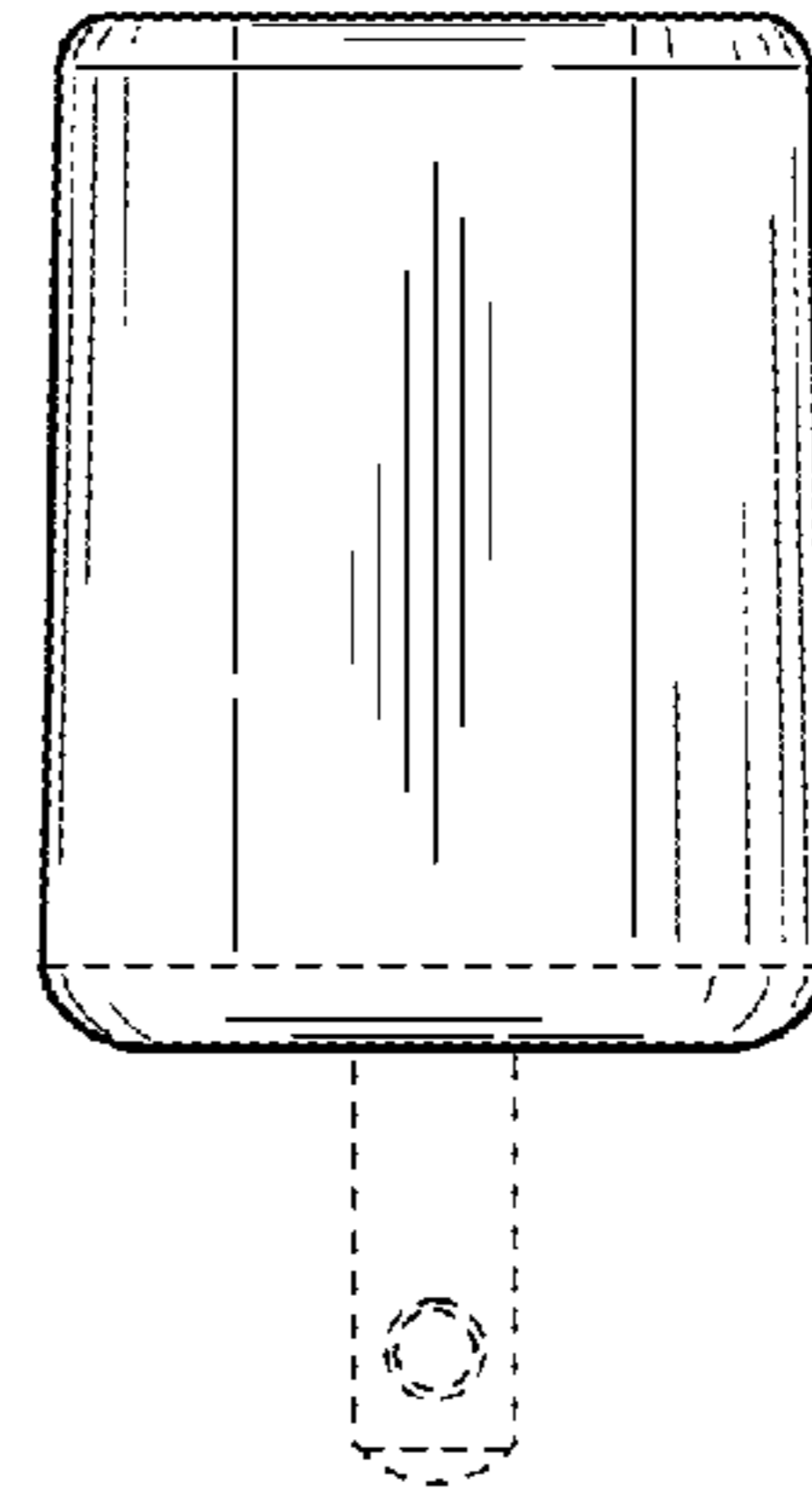
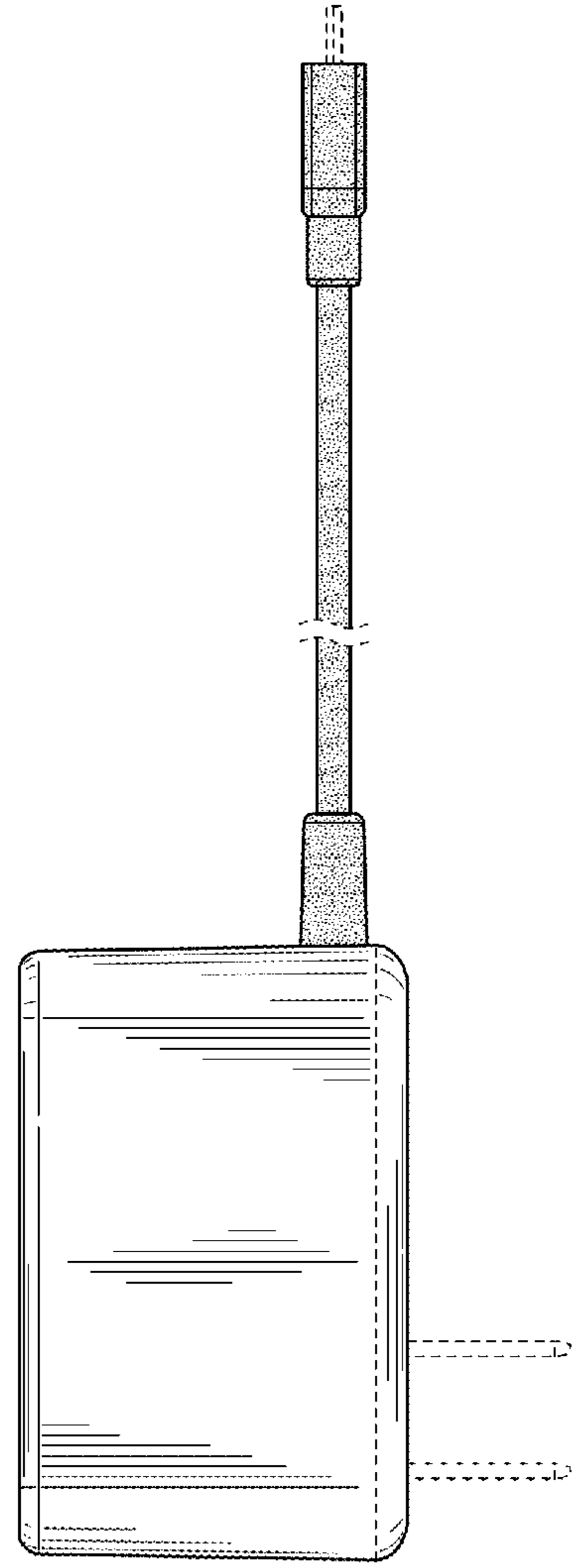
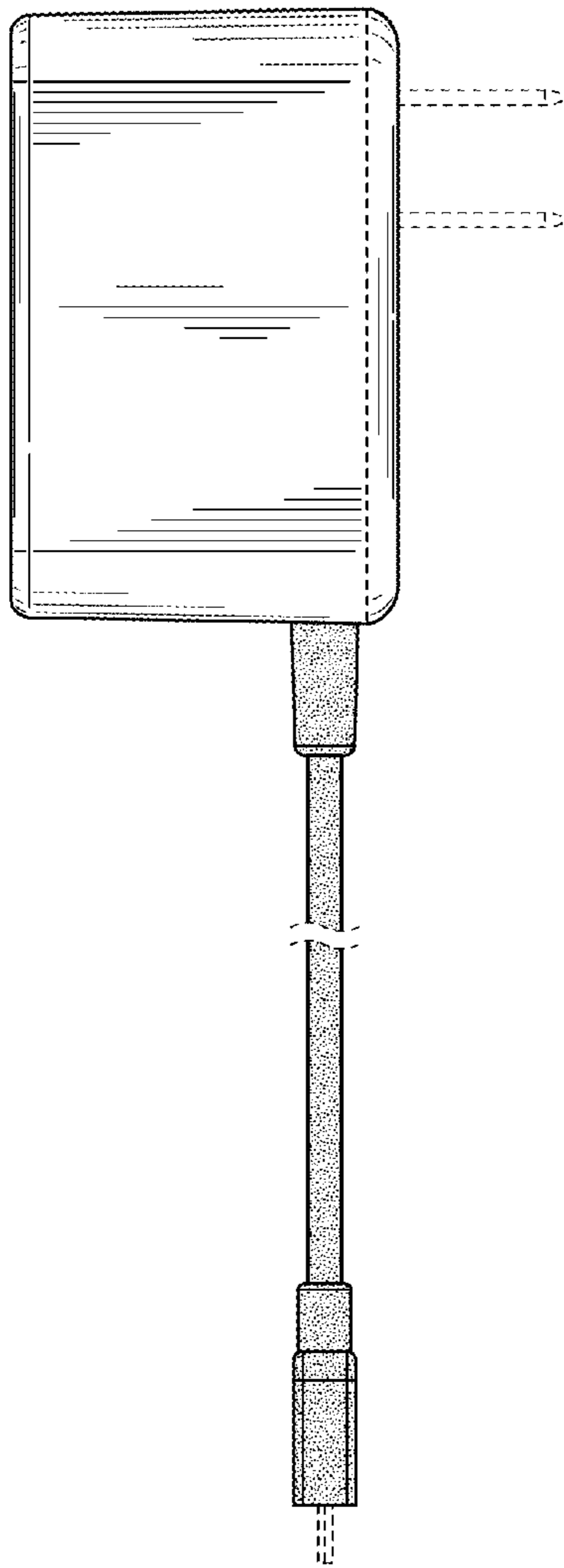


FIG. 17



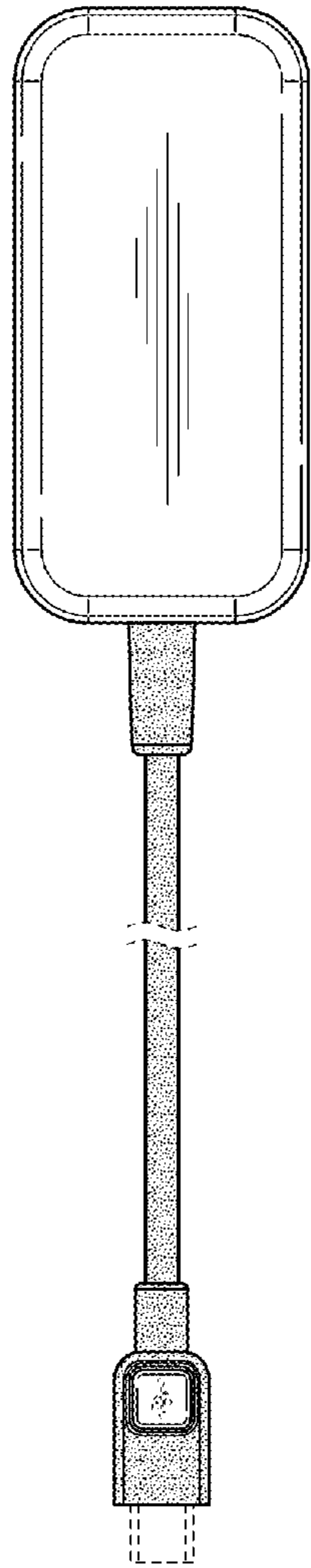


FIG. 20

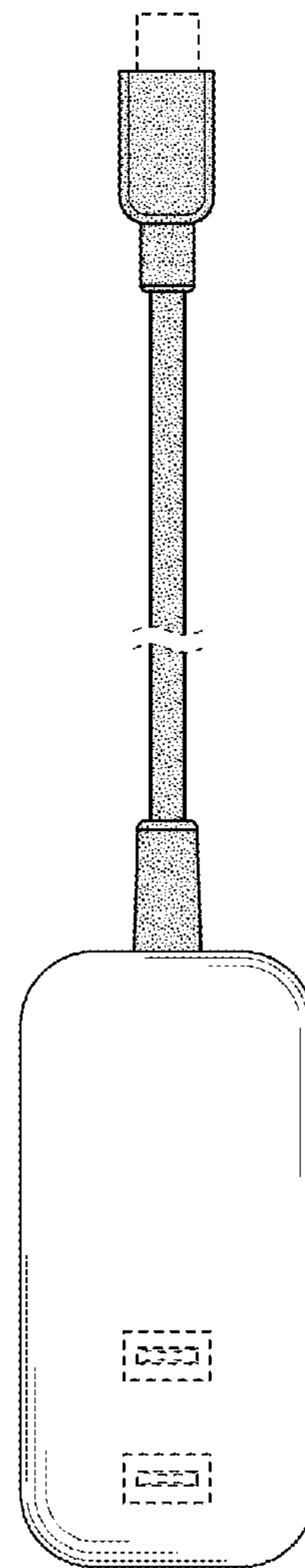


FIG. 21

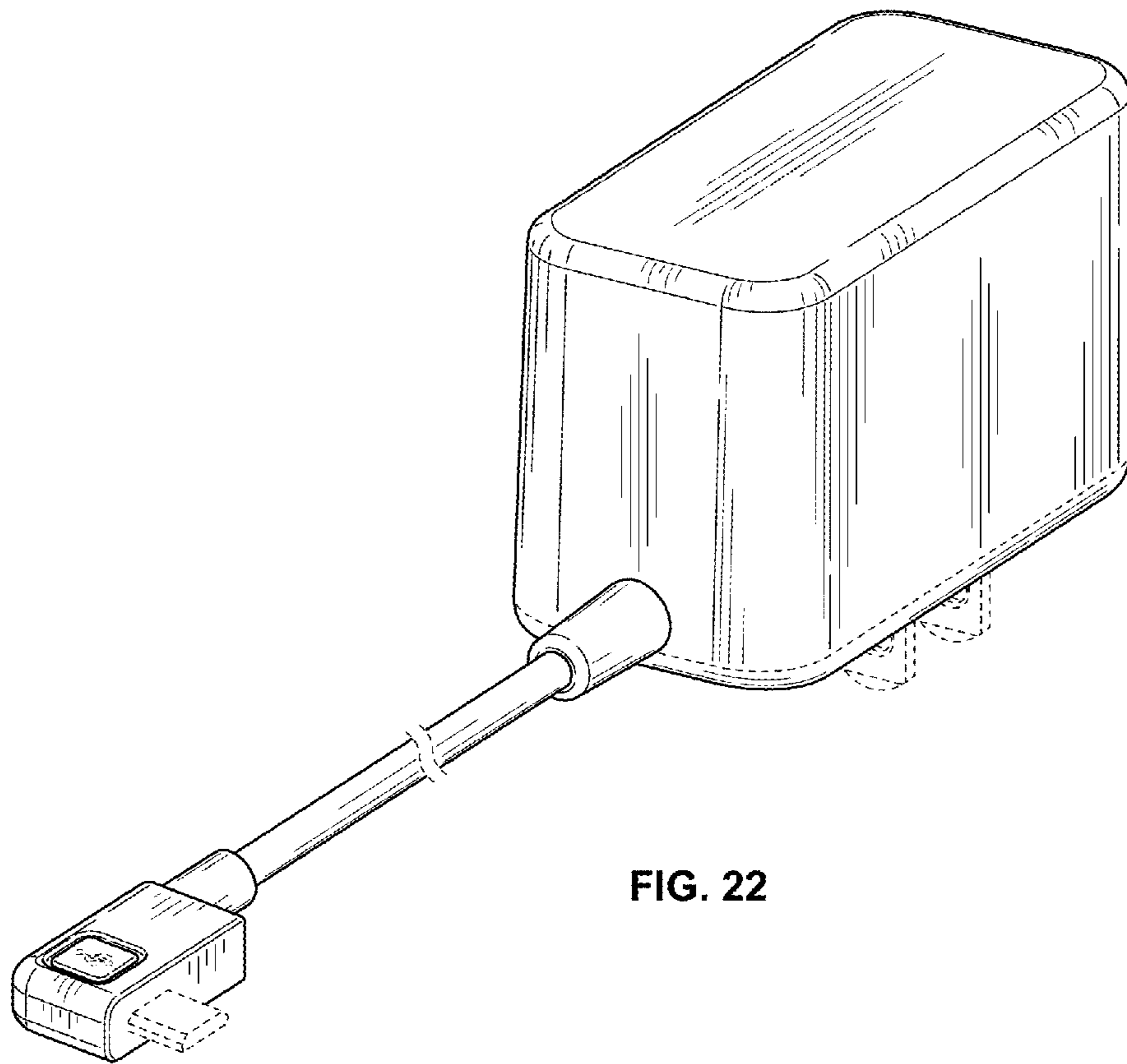


FIG. 22

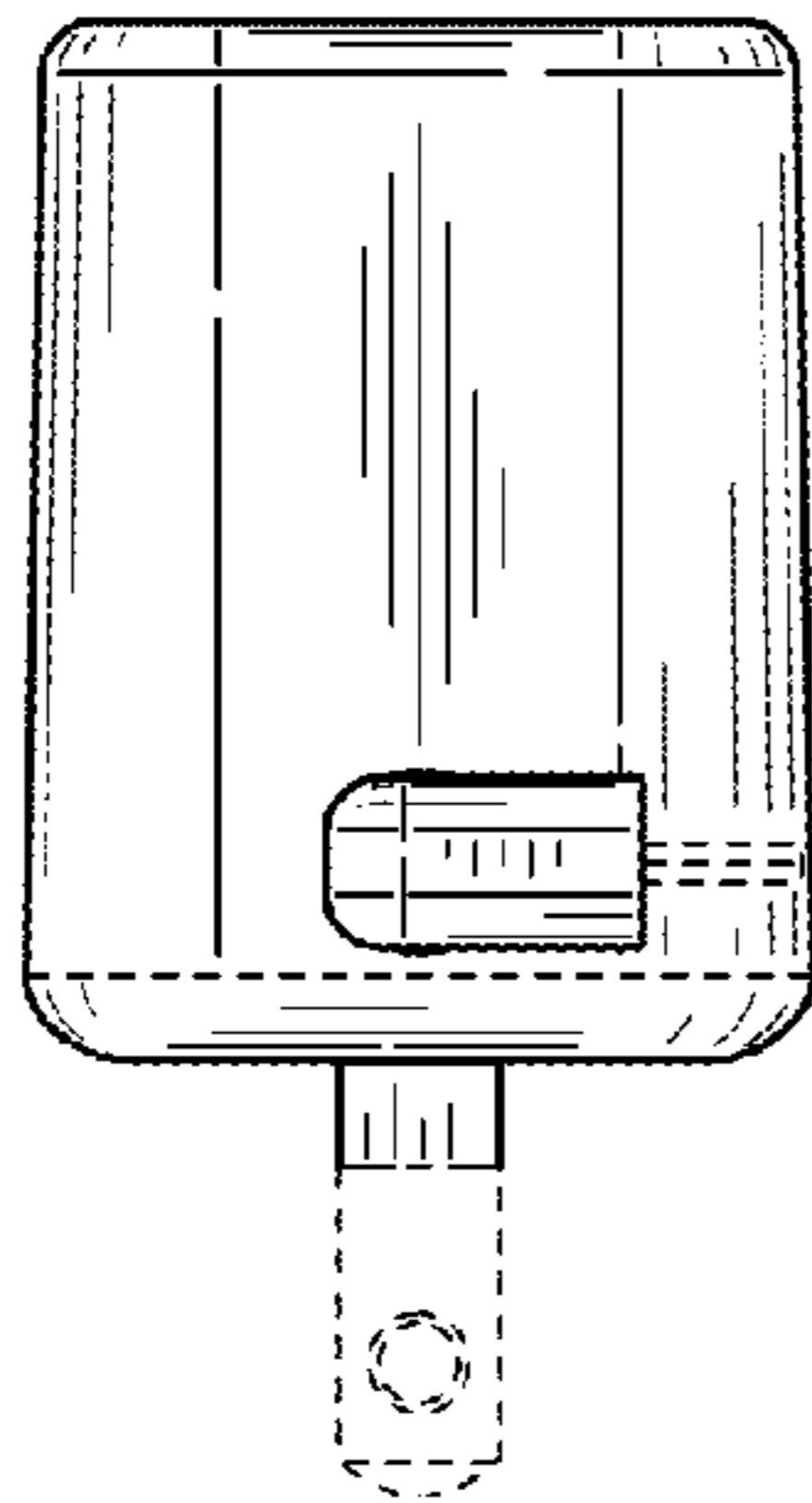


FIG. 23

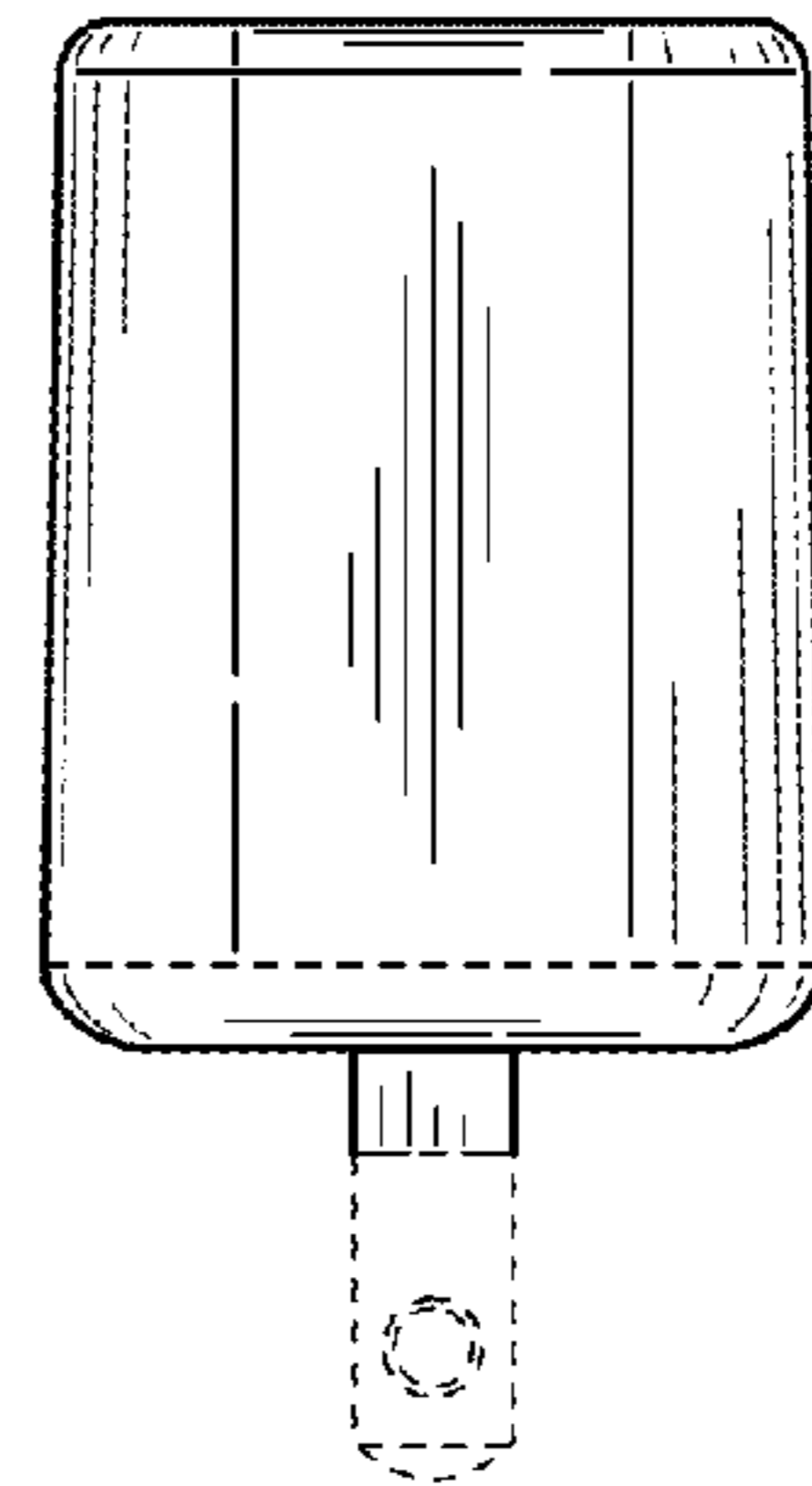


FIG. 24

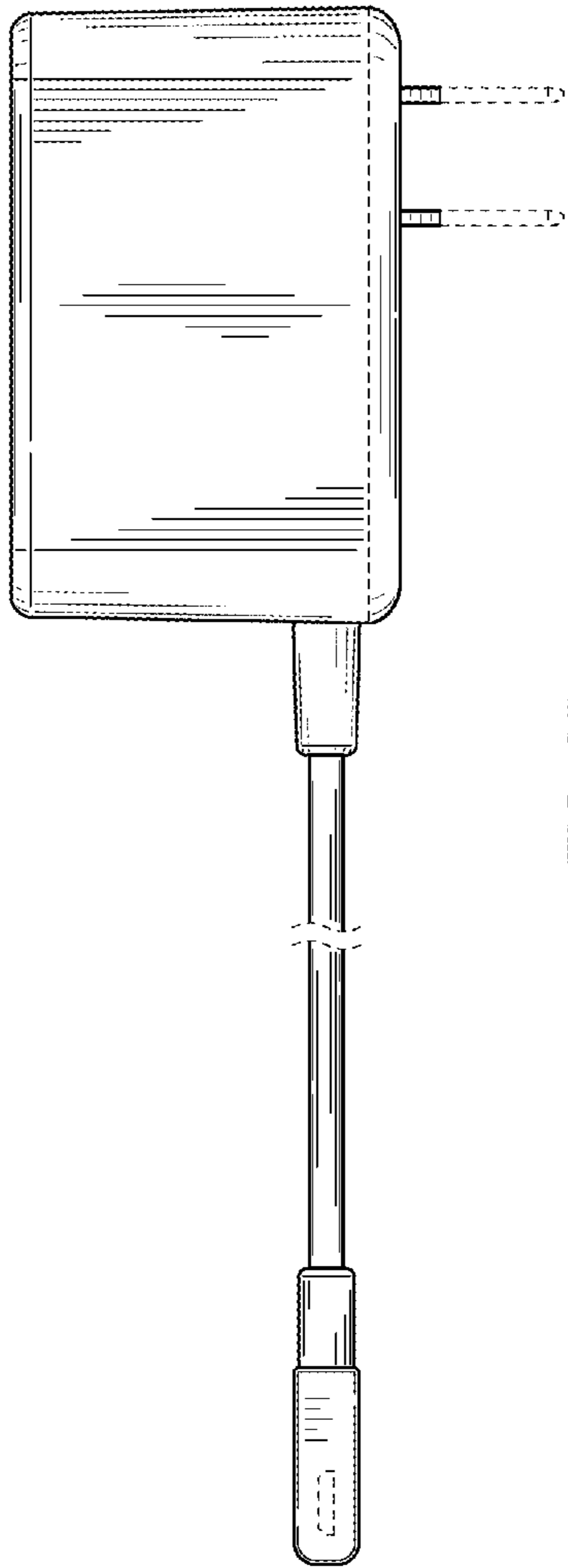


FIG. 25

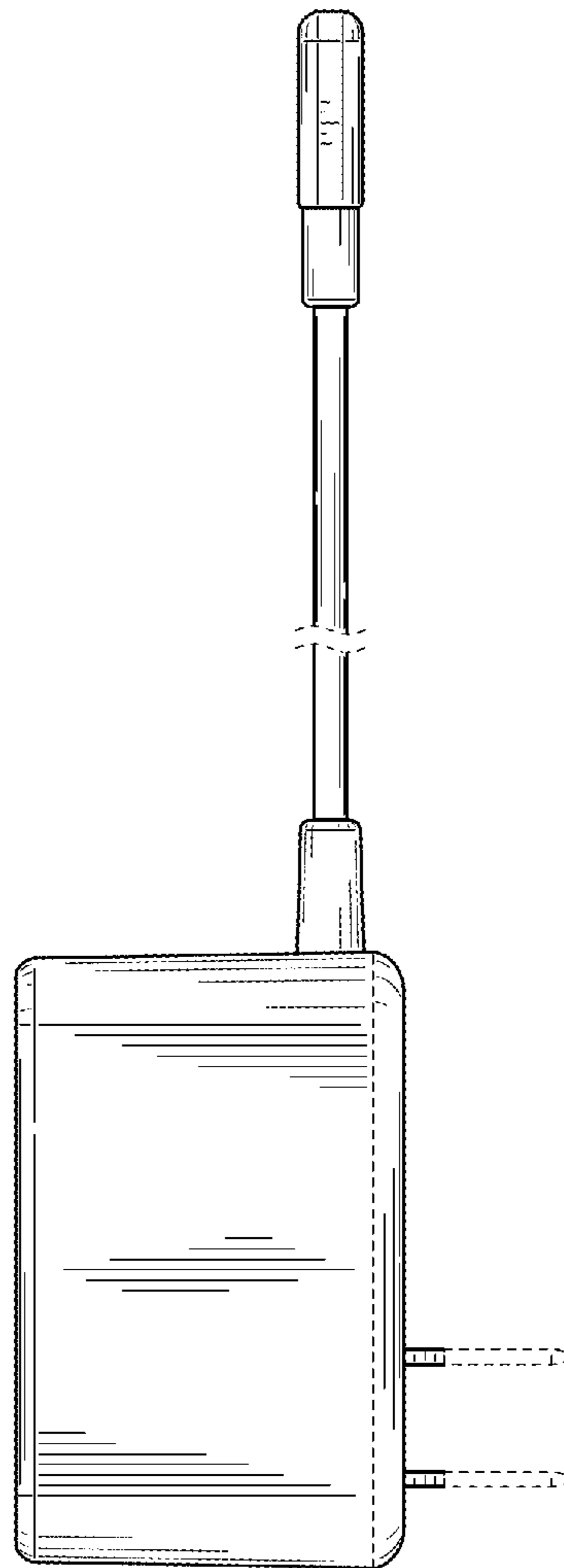


FIG. 26

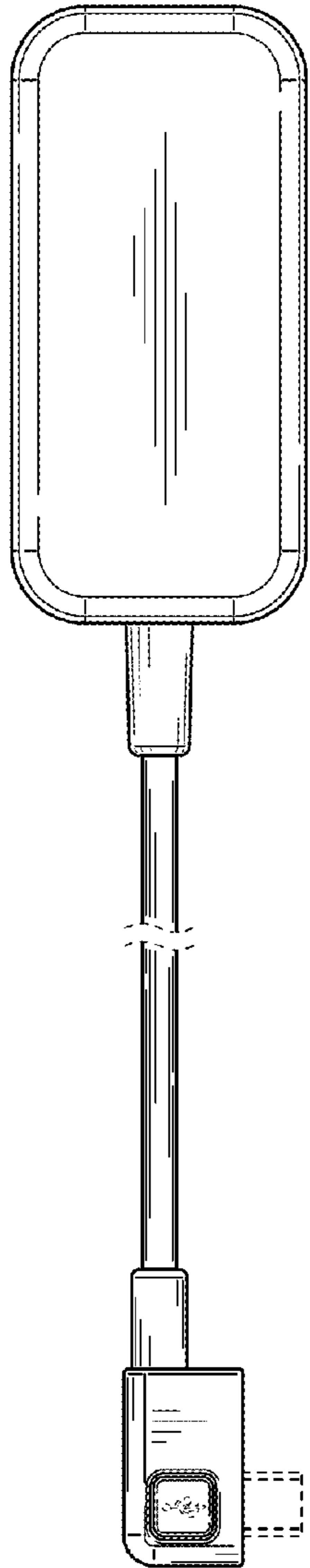


FIG. 27

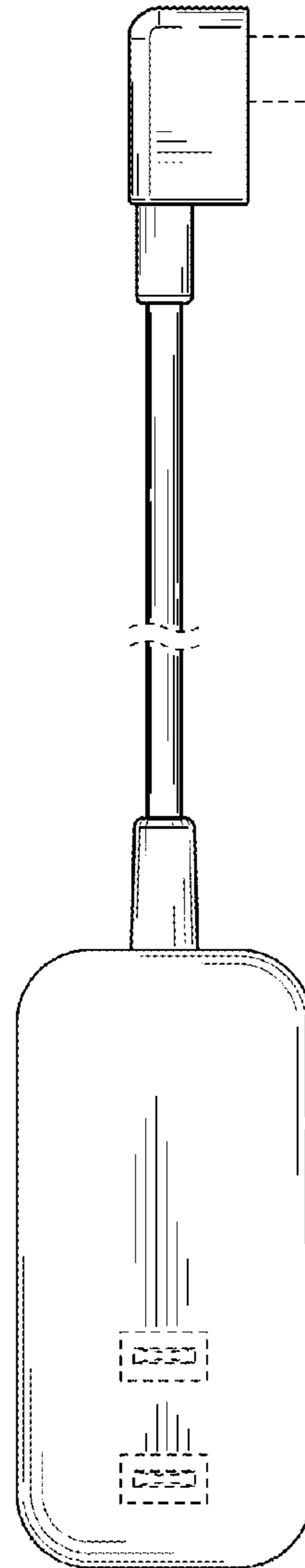


FIG. 28