



US00D720690S

(12) **United States Design Patent**  
**Tio et al.**

(10) **Patent No.:** **US D720,690 S**  
(45) **Date of Patent:** **\*\* Jan. 6, 2015**

(54) **INDUSTRIAL CONTROL COMPONENT FACE PLATE**

(75) Inventors: **Yuen Leong Donald Tio**, Singapore (SG); **Scott Peter Miles**, Belgium, WI (US); **See Yong Koh**, Singapore (SG)

(73) Assignee: **Rockwell Automation Asia Pacific Business Center Pte. Ltd.**, Singapore (SG)

(\*\*) Term: **14 Years**

(21) Appl. No.: **29/432,446**

(22) Filed: **Sep. 14, 2012**

(51) **LOC (10) Cl.** ..... **13-02**

(52) **U.S. Cl.**  
USPC ..... **D13/110**

(58) **Field of Classification Search**  
USPC ..... D13/101, 103, 110, 112, 113, 114, 118, D13/121, 122, 133, 137.1, 152, 154, 156, D13/162, 177, 173, 184, 199; D14/300, D14/301, 302, 308, 309-312, 348-355, 370, D14/432, 433, 439, 440, 441, 443-446; 439/137, 141; 174/66, 521, 522, 530, 174/559, 536

See application file for complete search history.

(56) **References Cited**

U.S. PATENT DOCUMENTS

D173,757 S \* 12/1954 Kerr ..... D13/114

5,198,618 A \* 3/1993 Shieh ..... 174/67  
D360,228 S \* 7/1995 Dabrowski ..... D20/8  
D552,045 S \* 10/2007 Pratt ..... D13/177  
7,279,636 B2 \* 10/2007 Oddsen et al. .... 174/66  
D570,771 S \* 6/2008 Chang et al. .... D13/110  
D664,934 S \* 8/2012 Lin ..... D13/177  
D679,869 S \* 4/2013 Kim ..... D29/122  
2001/0045299 A1 \* 11/2001 Miyamoto et al. .... 174/66  
2014/0069906 A1 \* 3/2014 Dessart et al. .... 219/136

\* cited by examiner

*Primary Examiner* — Derrick Holland

*Assistant Examiner* — Lauren Calve

(74) *Attorney, Agent, or Firm* — Fletcher Yoder, P.C.

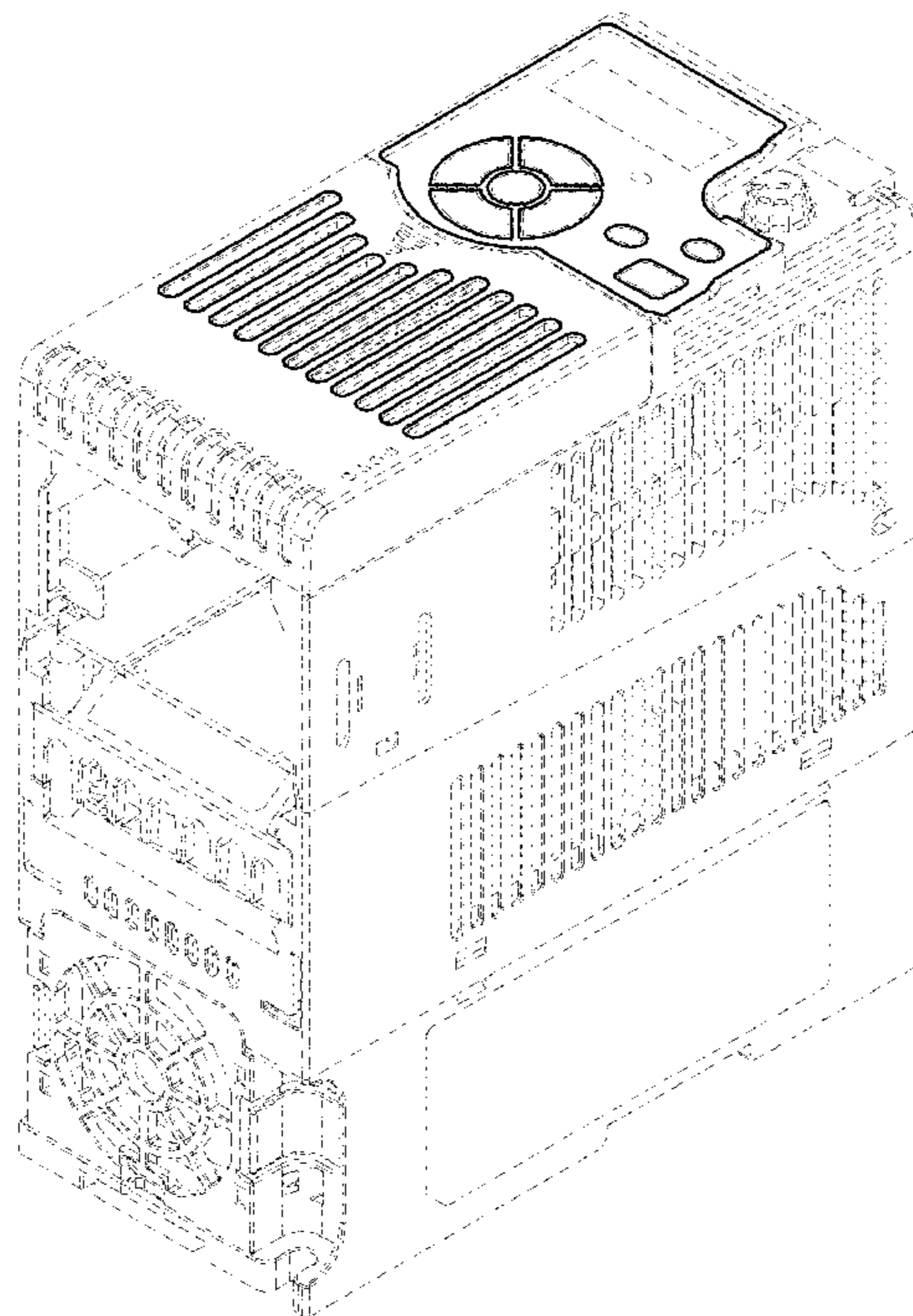
(57) **CLAIM**

The ornamental design for an industrial control component face plate, as shown and described.

**DESCRIPTION**

FIG. 1 is a front, top perspective view of an industrial control component face plate;  
FIG. 2 is a rear, top perspective view thereof;  
FIG. 3 is a top plan view thereof;  
FIG. 4 is a right side view thereof; and,  
FIG. 5 is a left side view thereof.  
The broken lines shown represent unclaimed subject matter and form no part of the claimed design.

**1 Claim, 5 Drawing Sheets**



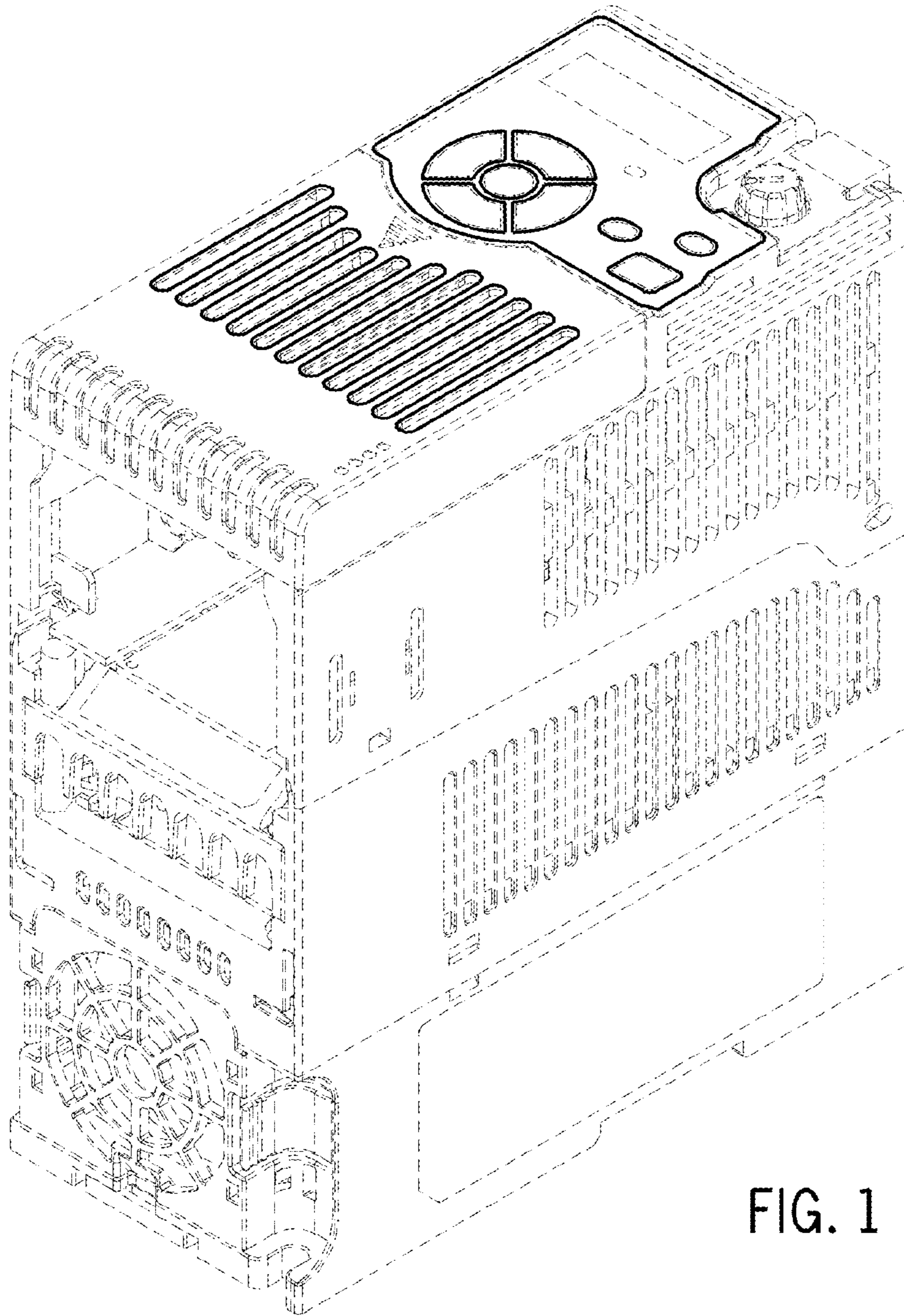


FIG. 1

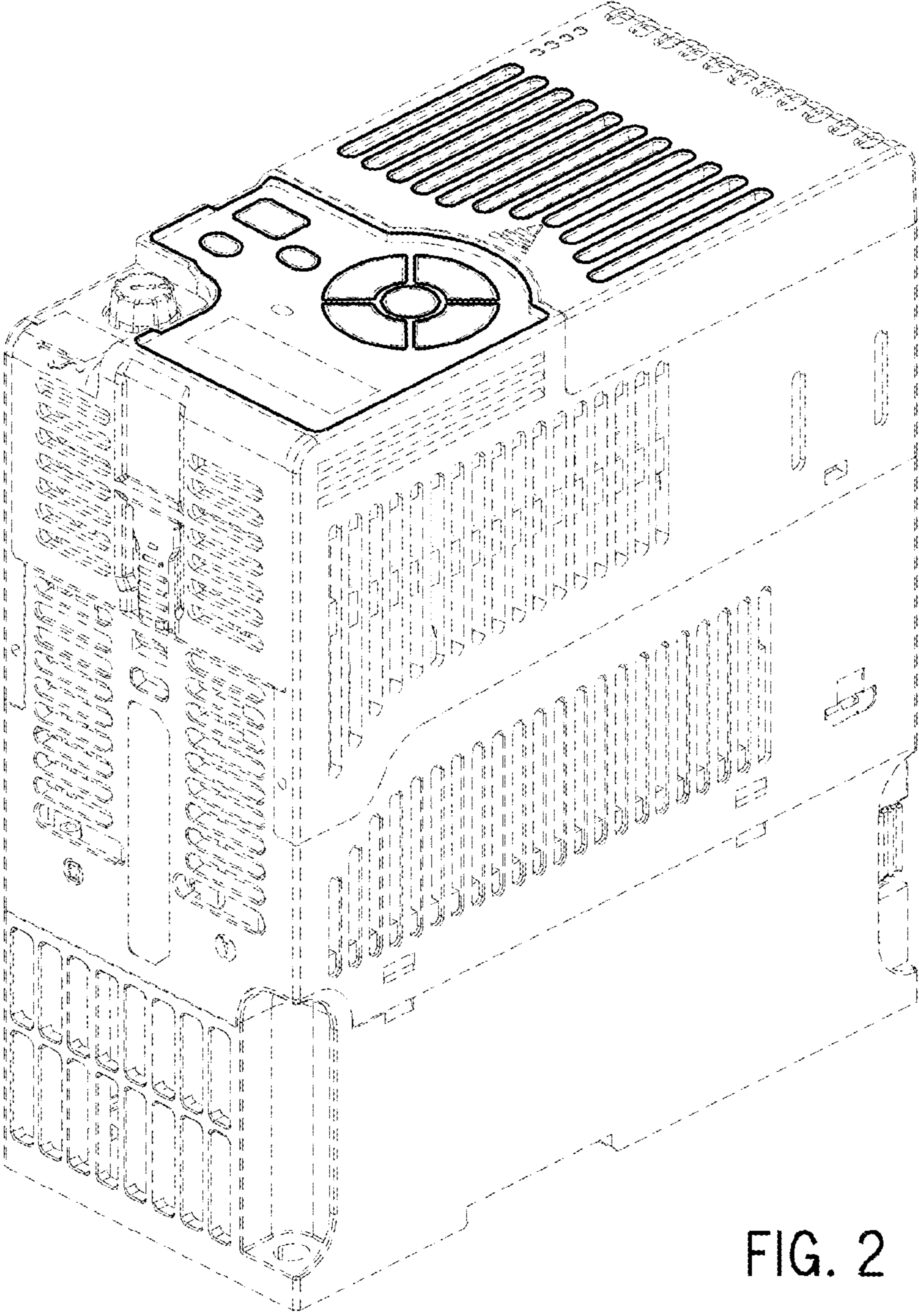


FIG. 2

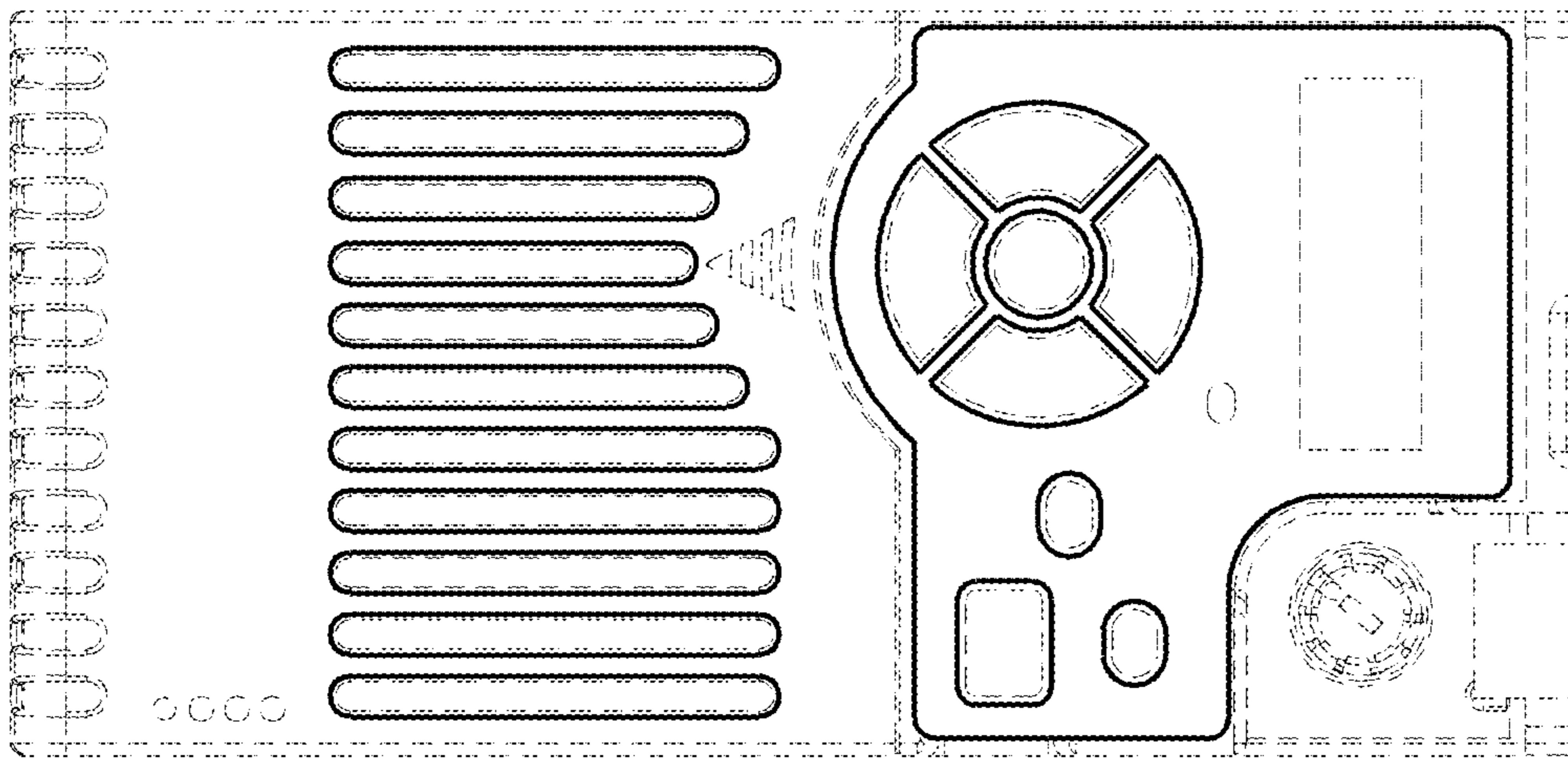


FIG. 3

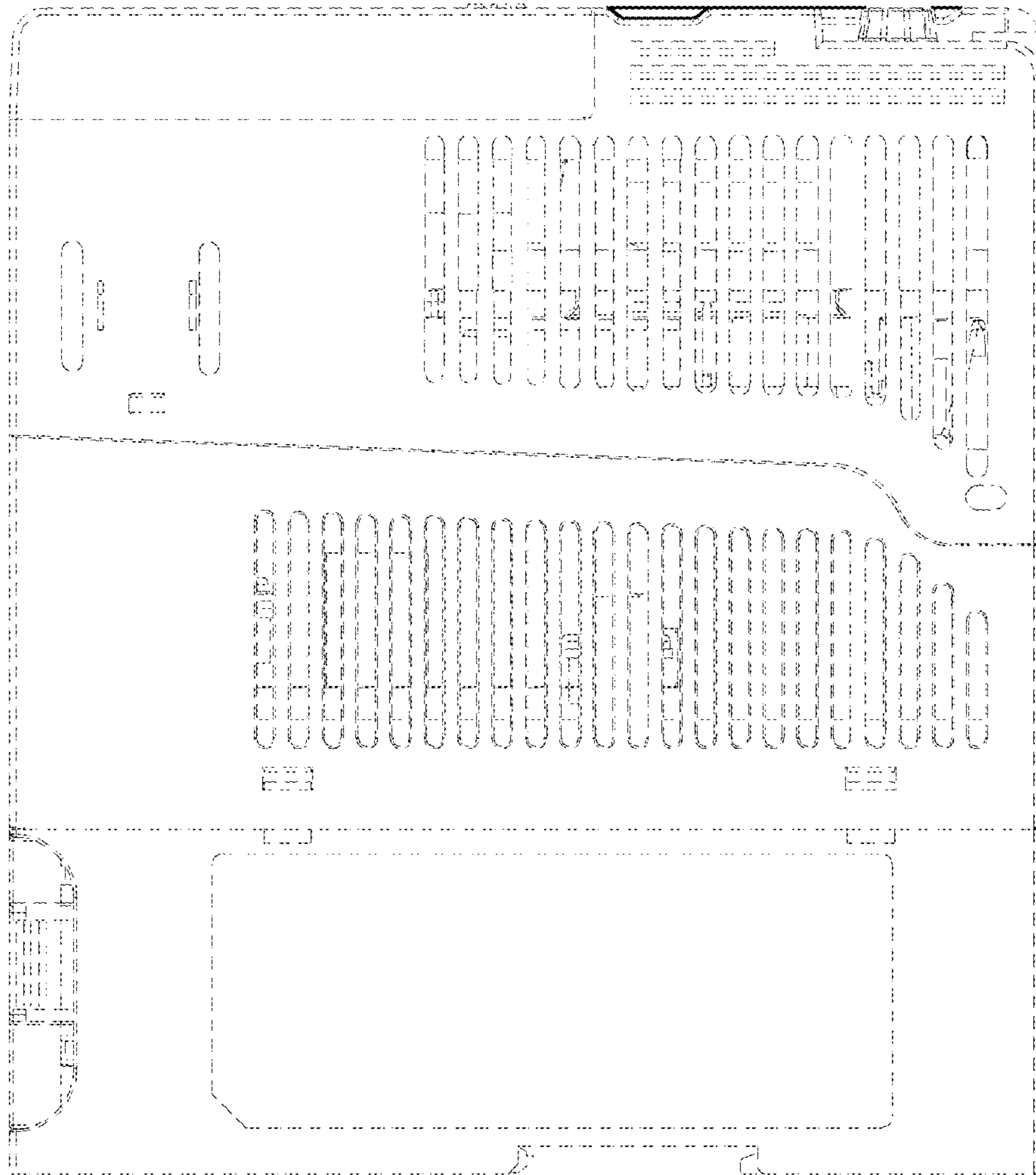


FIG. 4

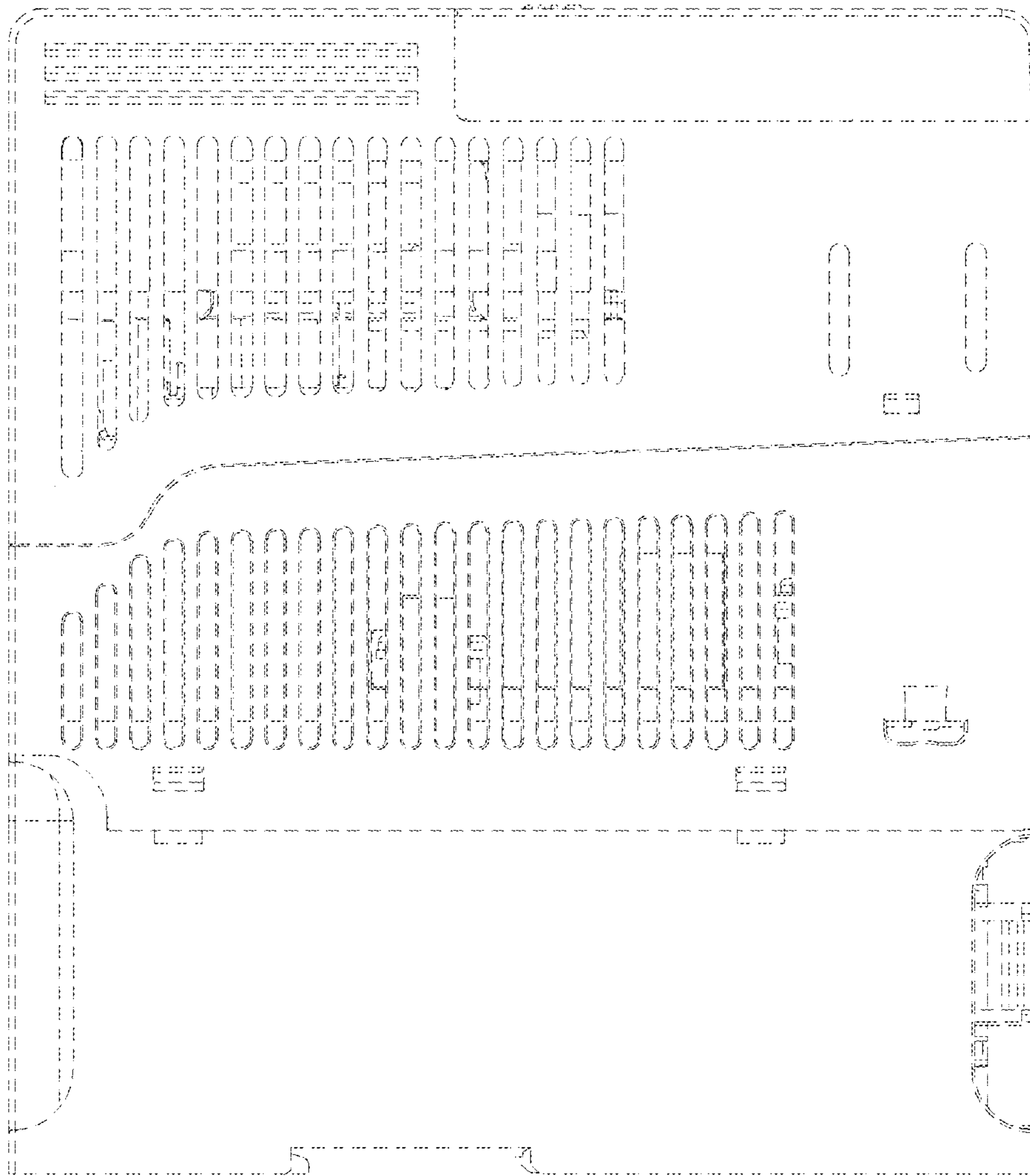


FIG. 5