



US00D720681S

(12) **United States Design Patent**  
**Bindner et al.**

(10) **Patent No.:** **US D720,681 S**  
(45) **Date of Patent:** **\*\* Jan. 6, 2015**

(54) **TIRE**

(71) Applicant: **The Goodyear Tire & Rubber Company, Akron, OH (US)**

(72) Inventors: **Olivier Francis Bindner, Yutz (FR); Julien Dominique Gilbert Majerus, Bastogne (BE); Armand Rene Gabriel Leconte, Gralingen (LU); Sebastien Willy Fontaine, Vichten (LU)**

(73) Assignee: **The Goodyear Tire & Rubber Company, Akron, OH (US)**

(\*\*) Term: **14 Years**

(21) Appl. No.: **29/457,148**

(22) Filed: **Jun. 7, 2013**

(51) **LOC (10) Cl.** ..... **12-15**

(52) **U.S. Cl.**  
USPC ..... **D12/523**

(58) **Field of Classification Search**  
USPC ..... D12/505–532, 900–901;  
152/209.1–209.9, 209.11–209.19,  
152/209.21–209.28, 455  
See application file for complete search history.

D634,699 S	3/2011	Fontaine et al. ....	D12/517
D638,348 S	5/2011	Harvey et al. ....	D12/521
D639,719 S	6/2011	Harvey et al. ....	D12/521
D639,720 S	6/2011	Harvey et al. ....	D12/521
D644,592 S	9/2011	Grabo et al. ....	D12/519
D644,593 S	9/2011	Fontaine et al. ....	D12/523
D659,075 S	5/2012	Harvey et al. ....	D12/521
D659,633 S	5/2012	Bindner et al. ....	D12/521
D662,451 S	6/2012	Schmalix et al. ....	D12/521
D665,336 S *	8/2012	Skurich et al. ....	D12/523
D667,359 S *	9/2012	Ishida et al. ....	D12/523
D668,598 S	10/2012	Hughes et al. ....	D12/521
D701,822 S *	4/2014	Bindner et al. ....	D12/523
D708,116 S *	7/2014	Caron et al. ....	D12/523

\* cited by examiner

*Primary Examiner* — Stacia Cadmus  
(74) *Attorney, Agent, or Firm* — Richard B. O’Planick

(57) **CLAIM**

The ornamental design for a tire, as shown and described.

**DESCRIPTION**

FIG. 1 is a perspective view of a tire showing our new design, it being understood that the pattern repeats uniformly throughout the circumference of the tread;

FIG. 2 is a front elevational view thereof;

FIG. 3 is a right side elevational view thereof;

FIG. 4 is a left side elevational view thereof;

FIG. 5 is an enlarged fragmentary front elevational view thereof;

FIG. 6 is a perspective view of a second embodiment of a tire showing our new design, it being understood that the pattern repeats uniformly throughout the circumference of the tread; and,

FIG. 7 is a front elevational view of a second embodiment, it being understood that an enlarged fragmentary view thereof would be substantially identical to that shown in FIG. 5, with the exception of the inclusion of the sidewall in solid lines.

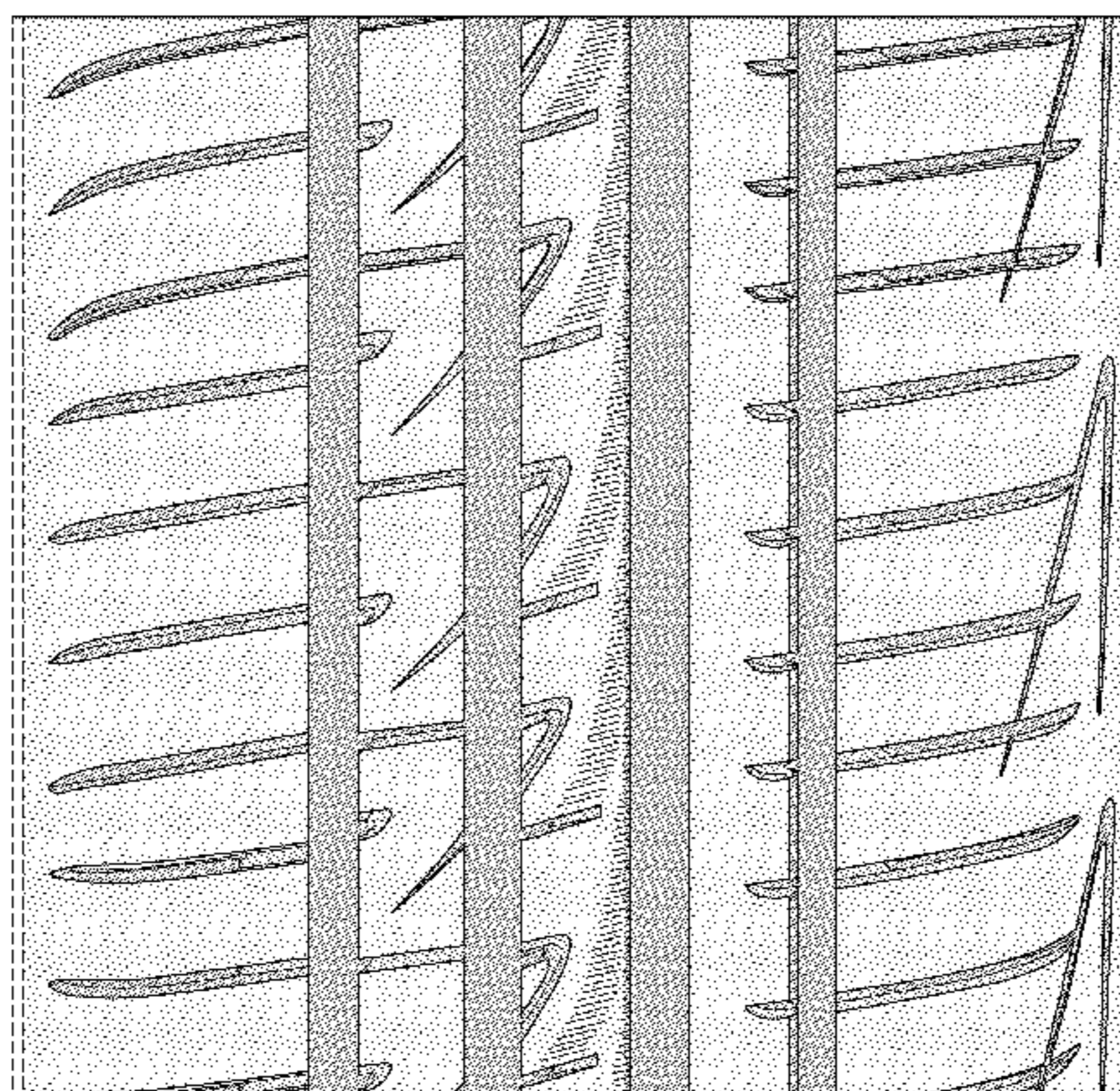
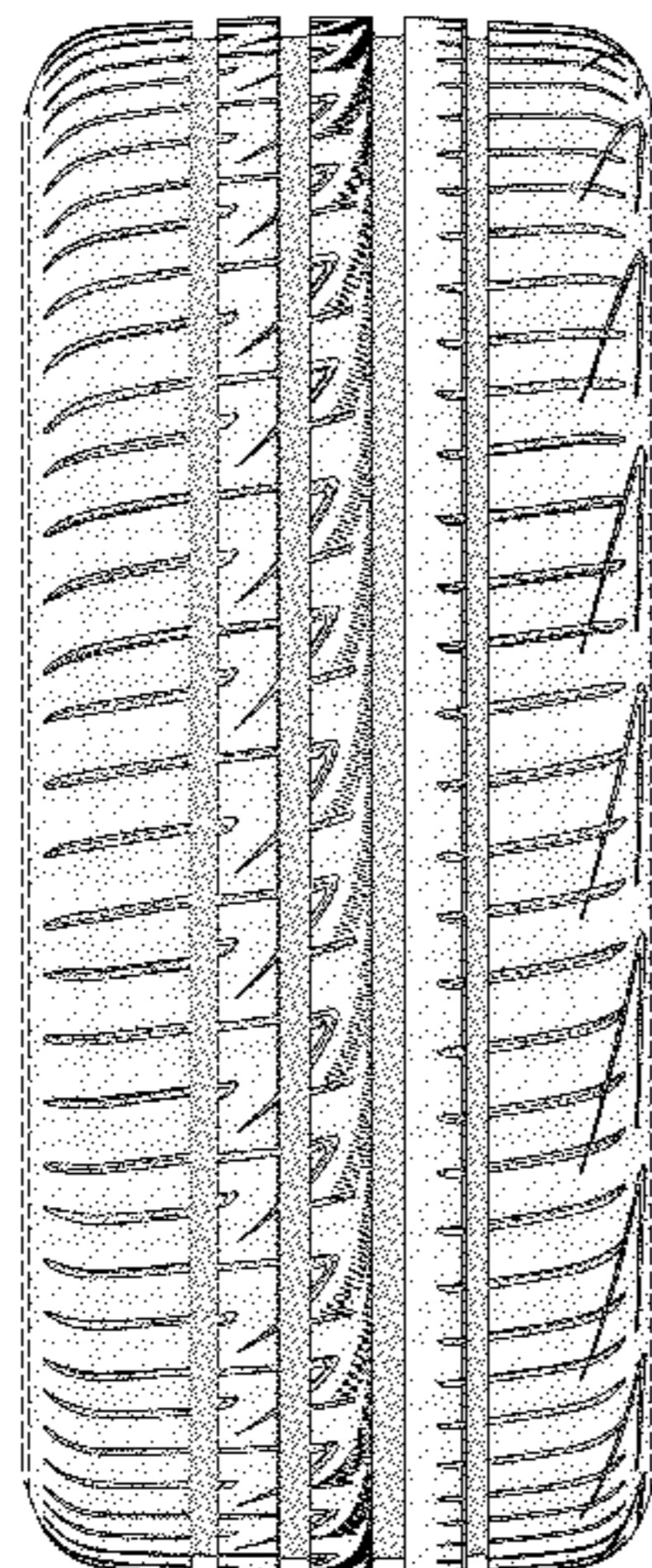
In the drawings, the broken lines showing of the sidewall, inner bead and the peripheral boundary between the tire tread and the sidewall in FIGS. 1 through 5 depict environmental subject matter and form no part of the claimed design.

**1 Claim, 7 Drawing Sheets**

(56) **References Cited**

**U.S. PATENT DOCUMENTS**

D432,956 S	10/2000	Ricquet .....	D12/141
D451,453 S	12/2001	Maxwell et al. ....	D12/147
D522,442 S	6/2006	Shirouzu .....	D12/515
D559,767 S	1/2008	Graas et al. ....	D12/521
D560,600 S	1/2008	Dixon et al. ....	D12/588
D571,282 S *	6/2008	Murata et al. ....	D12/523
D586,724 S	2/2009	Seibert et al. ....	D12/519
D593,931 S	6/2009	Fontaine et al. ....	D12/521
D597,474 S	8/2009	Yamakawa et al. ....	D12/519
D601,939 S	10/2009	Fontaine et al. ....	D12/519
D606,002 S	12/2009	Yamakawa et al. ....	D12/519
D607,809 S *	1/2010	Fontaine et al. ....	D12/523
D609,161 S	2/2010	Fontaine et al. ....	D12/517
D633,433 S *	3/2011	Sieber et al. ....	D12/519





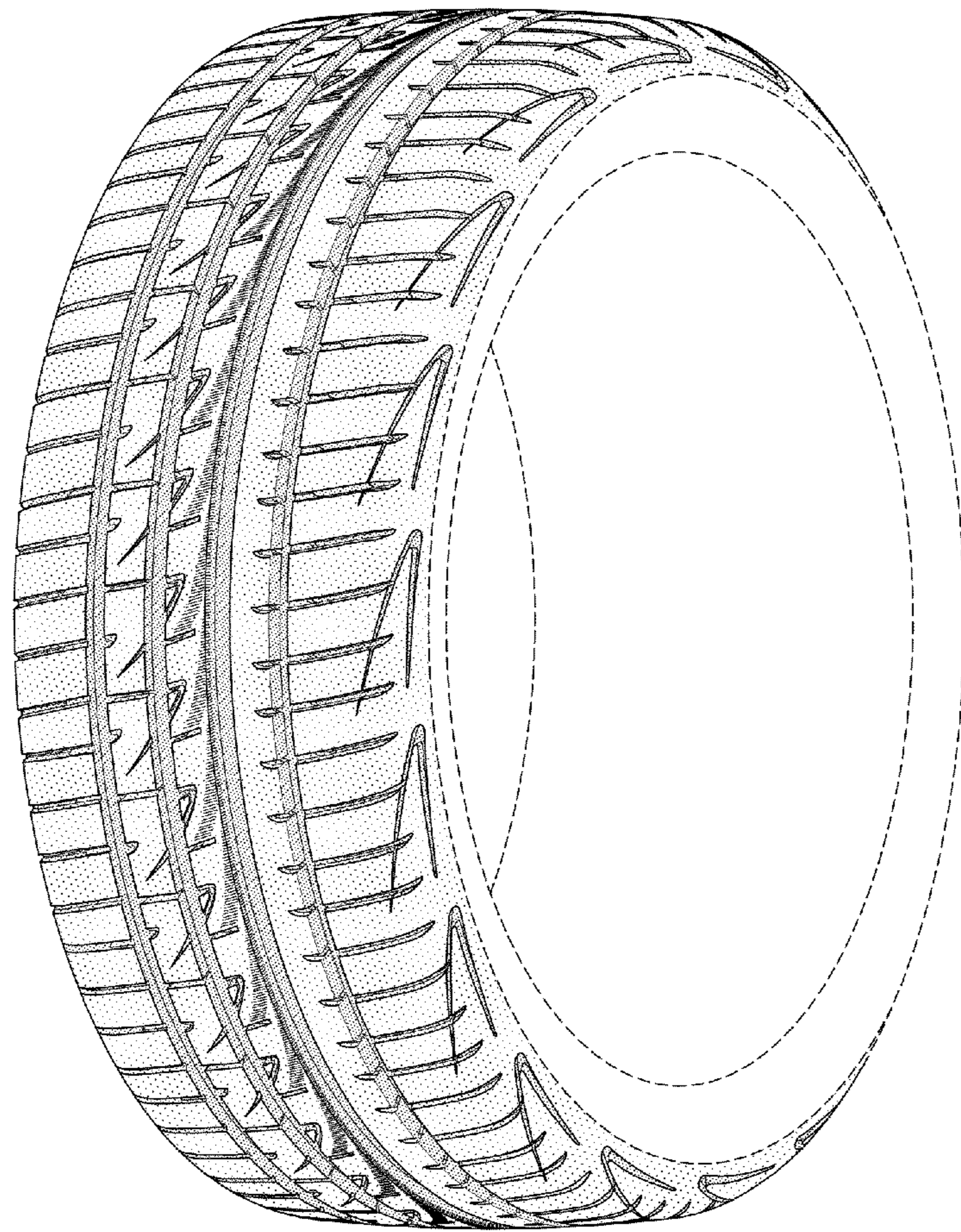


FIG-1

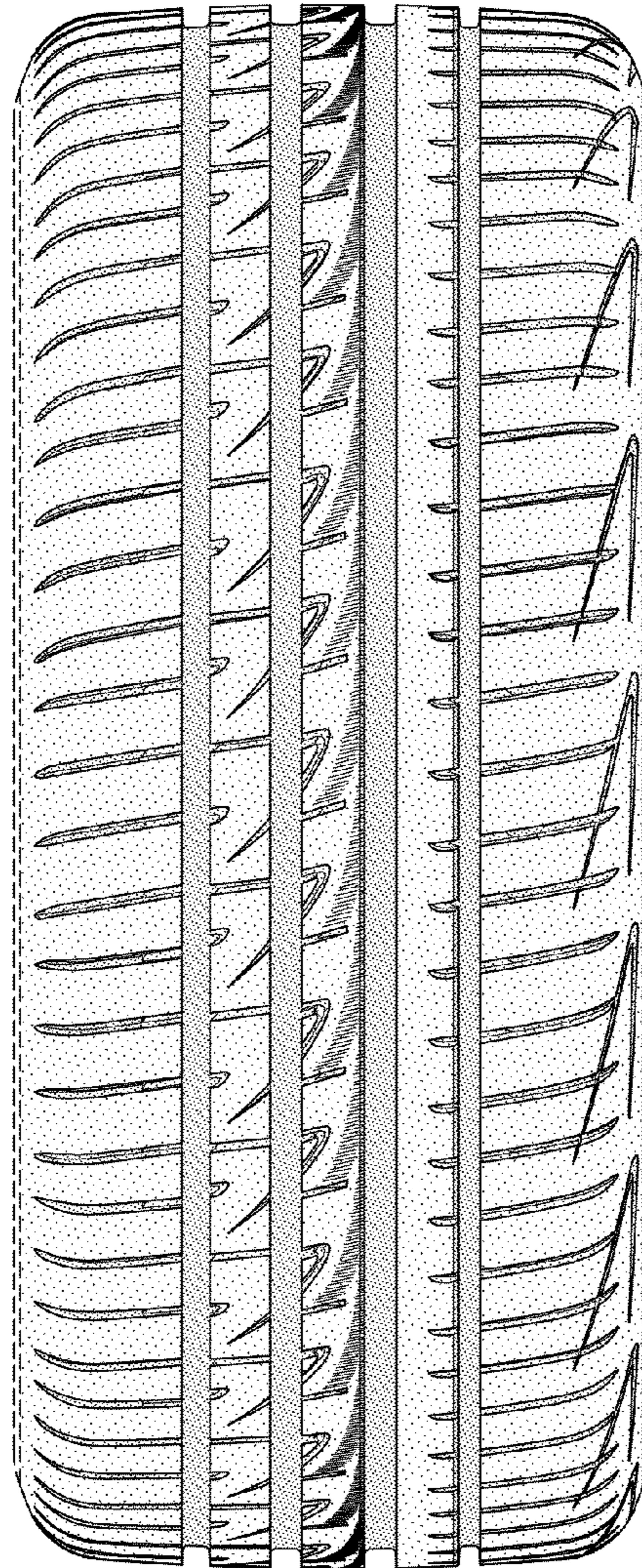


FIG-2



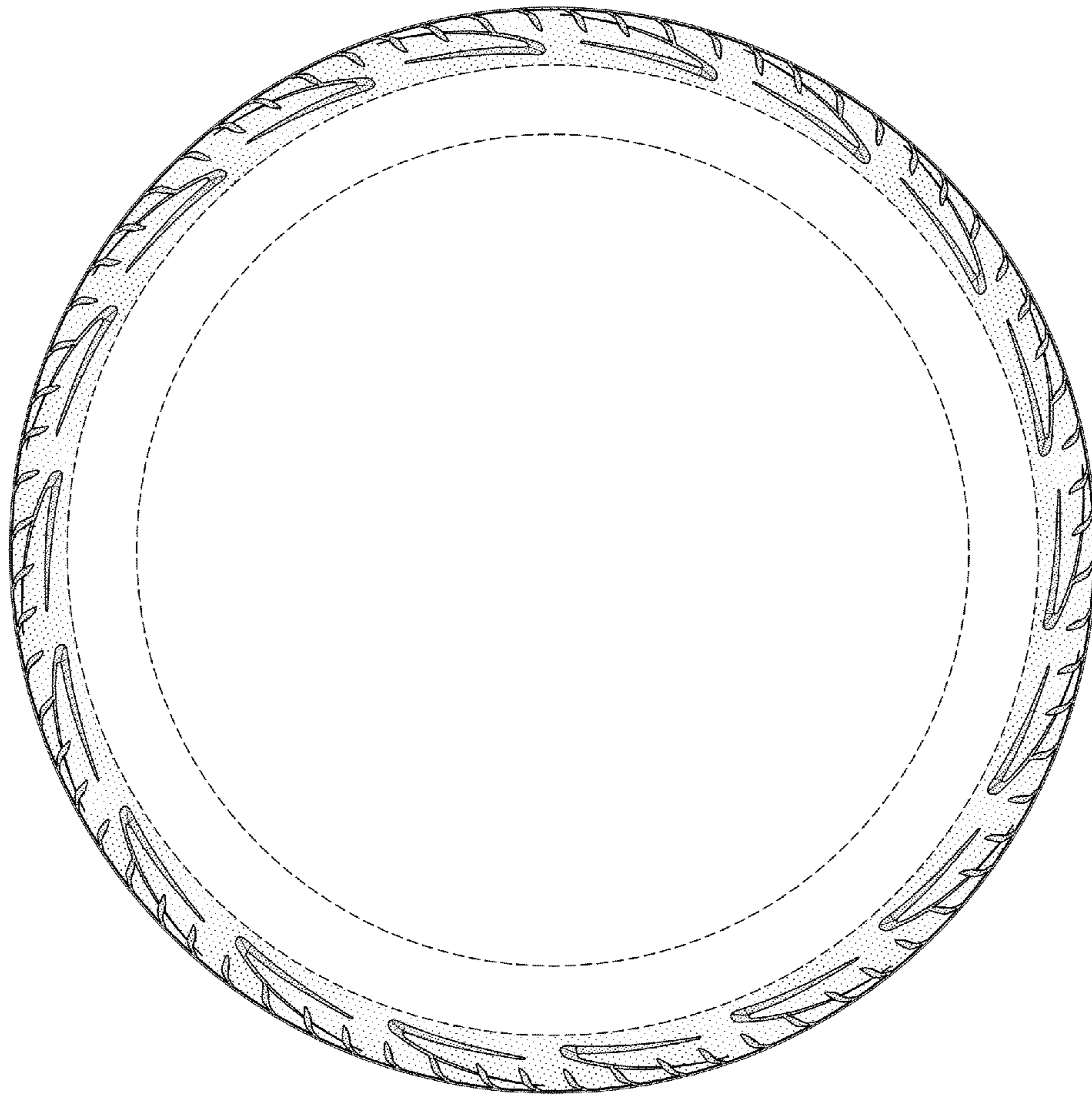


FIG-3

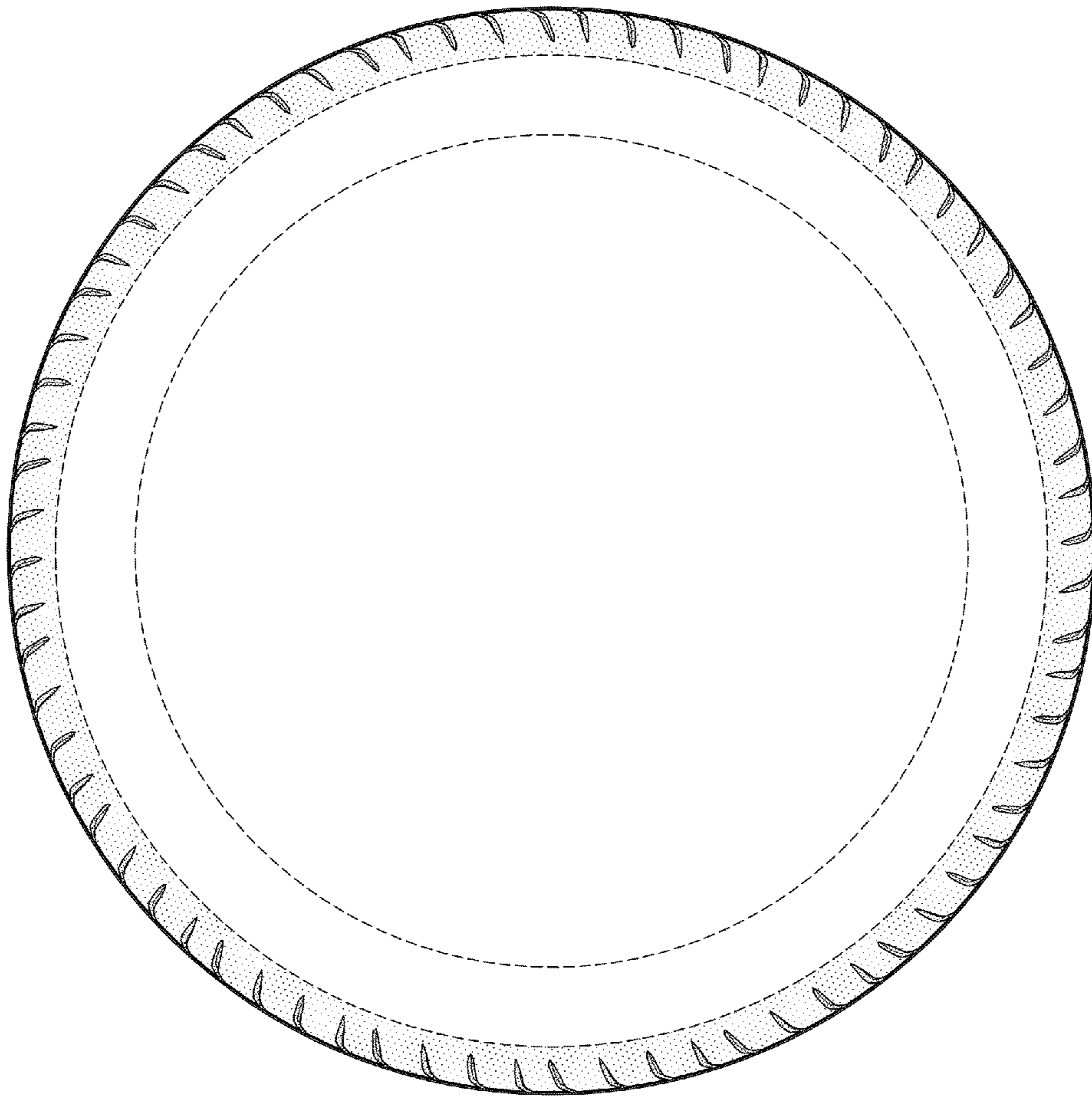


FIG-4



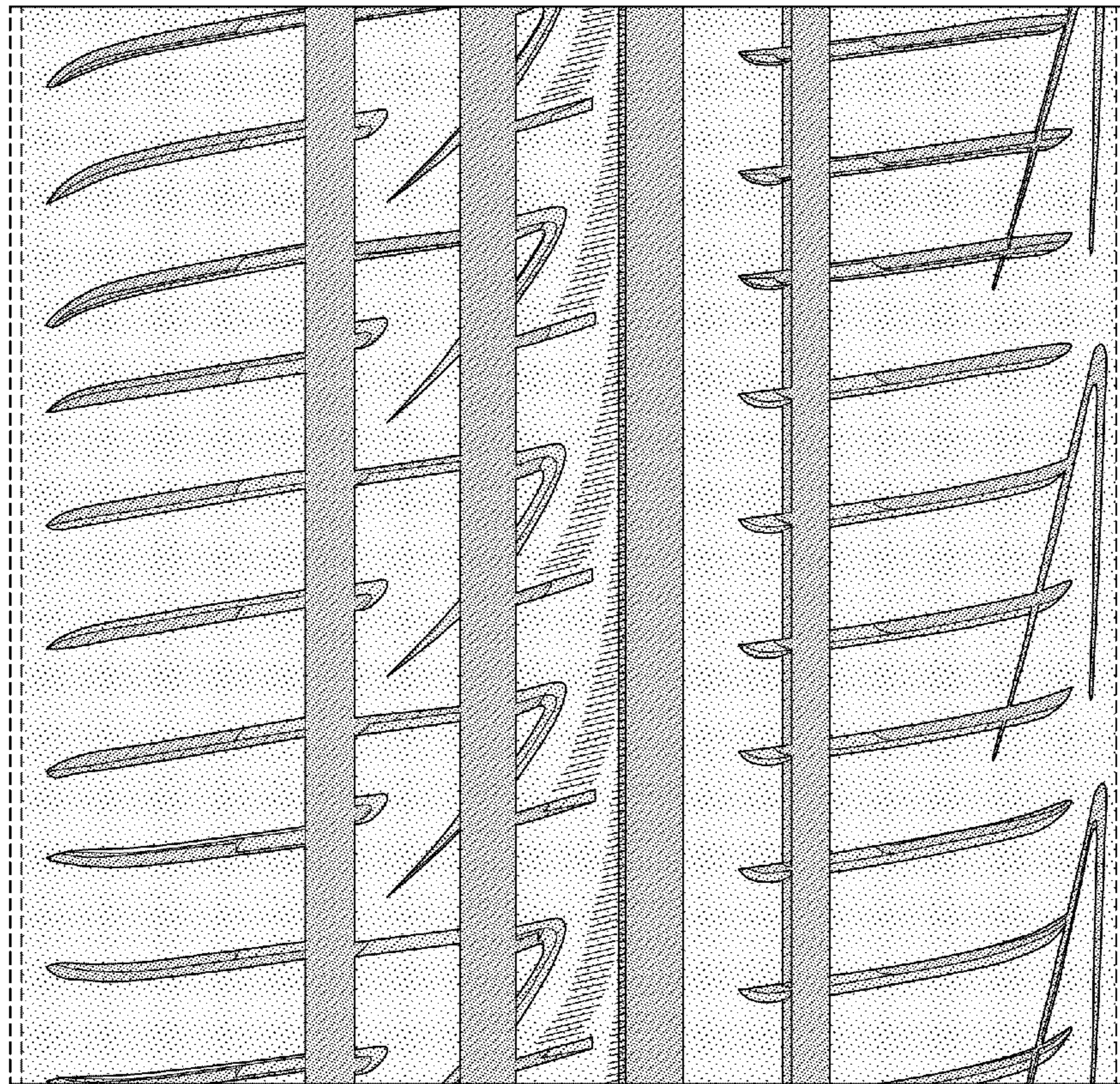


FIG-5



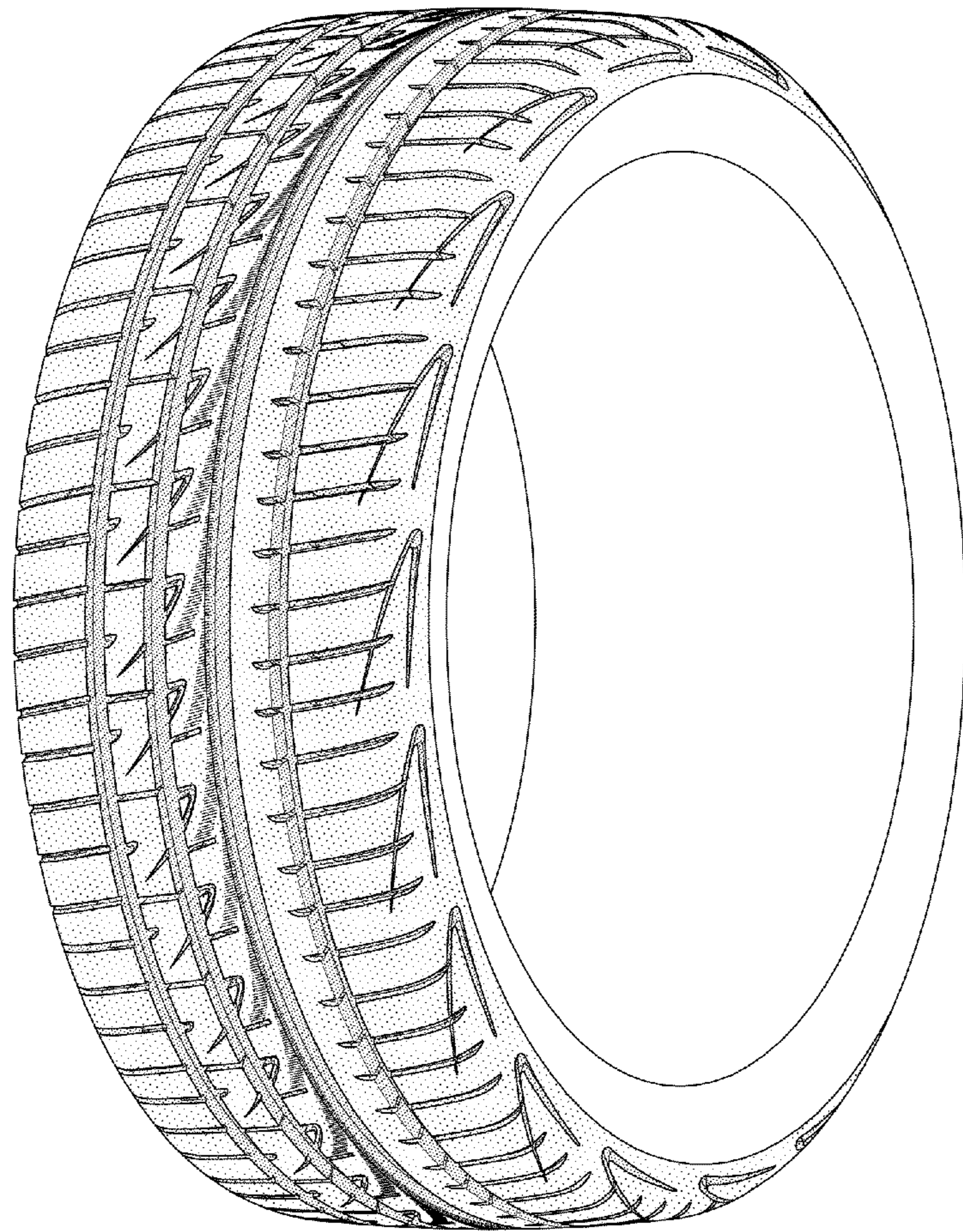


FIG-6

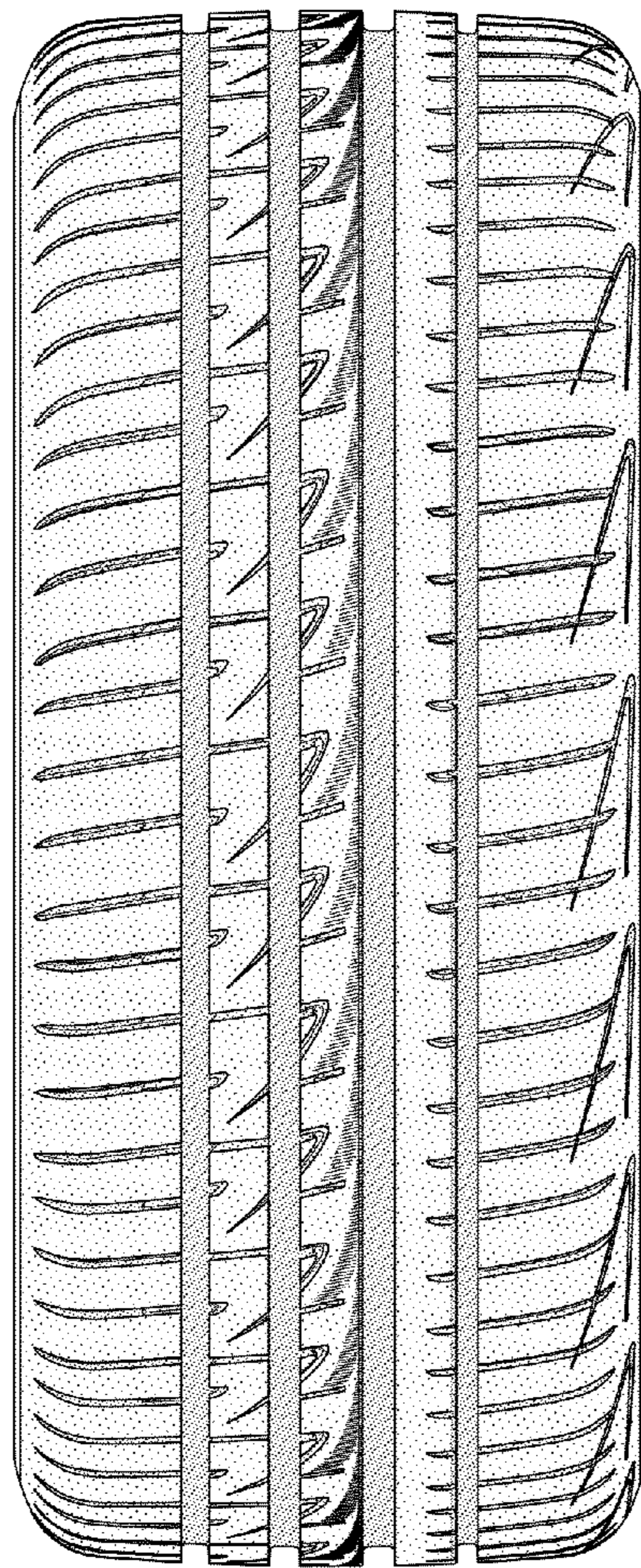


FIG-7