



US00D720680S

(12) **United States Design Patent**
Vitoorapakorn et al.

(10) **Patent No.:** **US D720,680 S**
(45) **Date of Patent:** **** Jan. 6, 2015**

(54) **VEHICLE UTILITY BOX**

(71) Applicant: **Aeroklas Company Limited**, Rayong (TH)

(72) Inventors: **Ekawat Vitoorapakorn**, Rayong (TH);
Supawadee Vitoorapakorn, Samutprakarn (TH)

(73) Assignee: **Aeroklas Company Limited**, Amphoe Nikompattana, Rayong (TH)

(**) Term: **14 Years**

(21) Appl. No.: **29/444,328**

(22) Filed: **Jan. 29, 2013**

(30) **Foreign Application Priority Data**

Aug. 1, 2012 (TH) 1202002024

(51) **LOC (10) Cl.** **12-99**

(52) **U.S. Cl.**
USPC **D12/414.1**

(58) **Field of Classification Search**
USPC D12/414.1, 414, 413, 412, 221, 406, D12/157, 423; D6/552, 317-319, 513-514; D3/304-306; 293/37.1, 3, 100; 296/39.1, 39.2, 37.6, 26.09, 99.1, 296/100.02, 157; 220/771; 224/309-311, 224/323-329, 273, 42.42, 400-404, 539, 224/542, 315-317, 510, 543, 544, 924; 414/462; 280/848, 727, 769; 206/213, 206/8, 9, 279, 290, 713, 335, 315.1-315.4; 32/35, 58

See application file for complete search history.

(56) **References Cited**

U.S. PATENT DOCUMENTS

4,260,091	A *	4/1981	French et al.	224/311
D274,139	S *	6/1984	Suffern et al.	D12/414.1
5,226,302	A *	7/1993	Anderson	70/159
D430,103	S *	8/2000	Scudder	D12/414.1
6,507,701	B2 *	1/2003	Lake	296/37.6
D658,373	S *	5/2012	Gros	D3/273
D659,632	S *	5/2012	Jordan	D12/414.1
D660,781	S *	5/2012	Ruffino et al.	D12/414.1
2002/0175530	A1 *	11/2002	Lake	296/37.6
2007/0119093	A1 *	5/2007	Jaskulski	43/54.1
2008/0264946	A1 *	10/2008	Moschella et al.	220/326
2009/0056592	A1 *	3/2009	Threet et al.	108/11
2014/0062042	A1 *	3/2014	Wagner et al.	280/30

* cited by examiner

Primary Examiner — Katrina A Betton

(74) *Attorney, Agent, or Firm* — Steven L. Nichols; Van Cott, Bagley, Cornwall & McCarthy P.C.

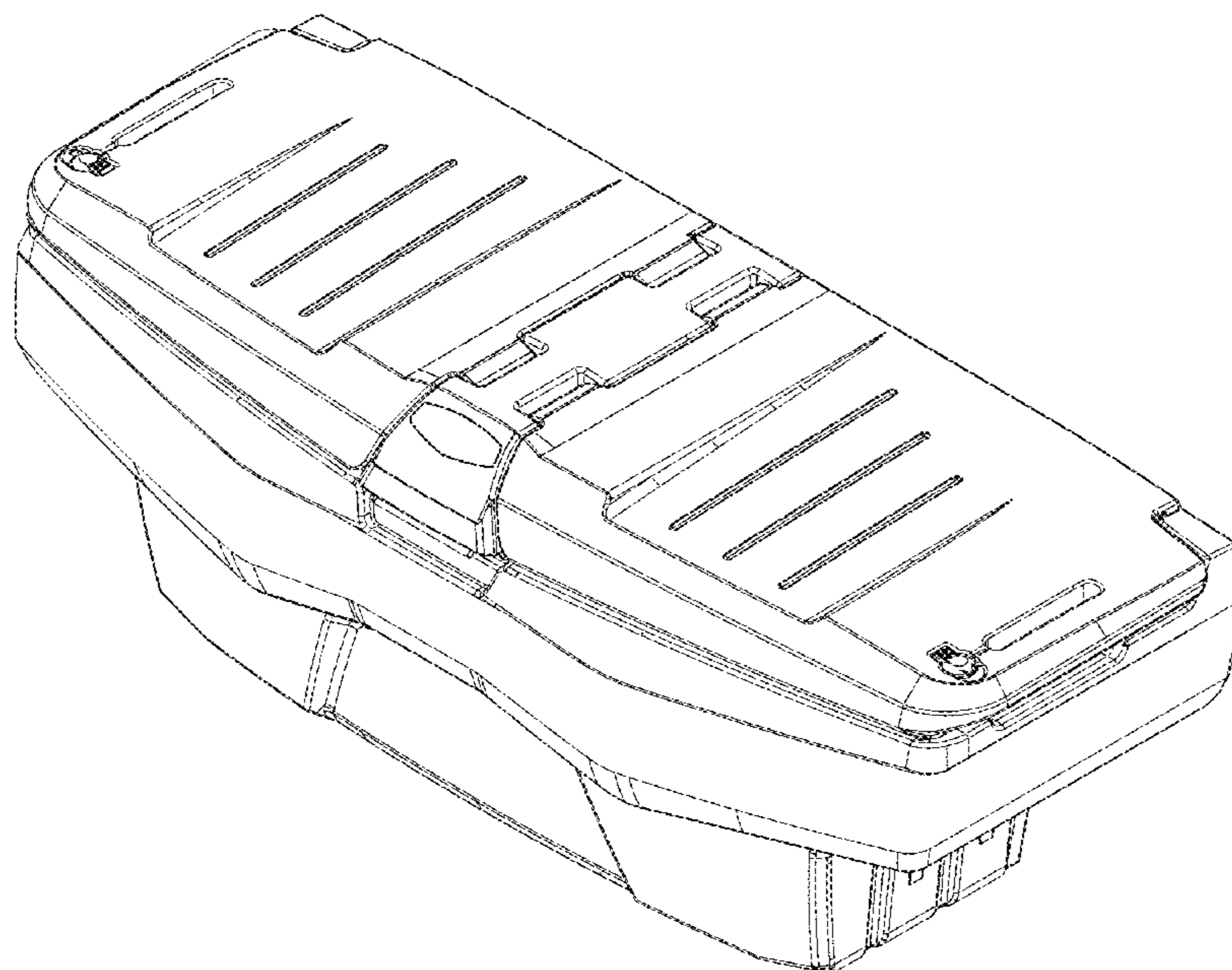
(57) **CLAIM**

The ornamental design for a vehicle utility box, as shown and described.

DESCRIPTION

FIG. 1 is a front perspective view of a vehicle utility box showing the new design.
FIG. 2 is a back perspective view of the vehicle utility box.
FIG. 3 is a top view of the vehicle utility box.
FIG. 4 is a bottom view of the vehicle utility box.
FIG. 5 is a front elevation view of the vehicle utility box.
FIG. 6 is a back elevation view of the vehicle utility box.
FIG. 7 is a right side elevation view of the vehicle utility box; and,
FIG. 8 is a left side elevation view of the vehicle utility box.

1 Claim, 7 Drawing Sheets



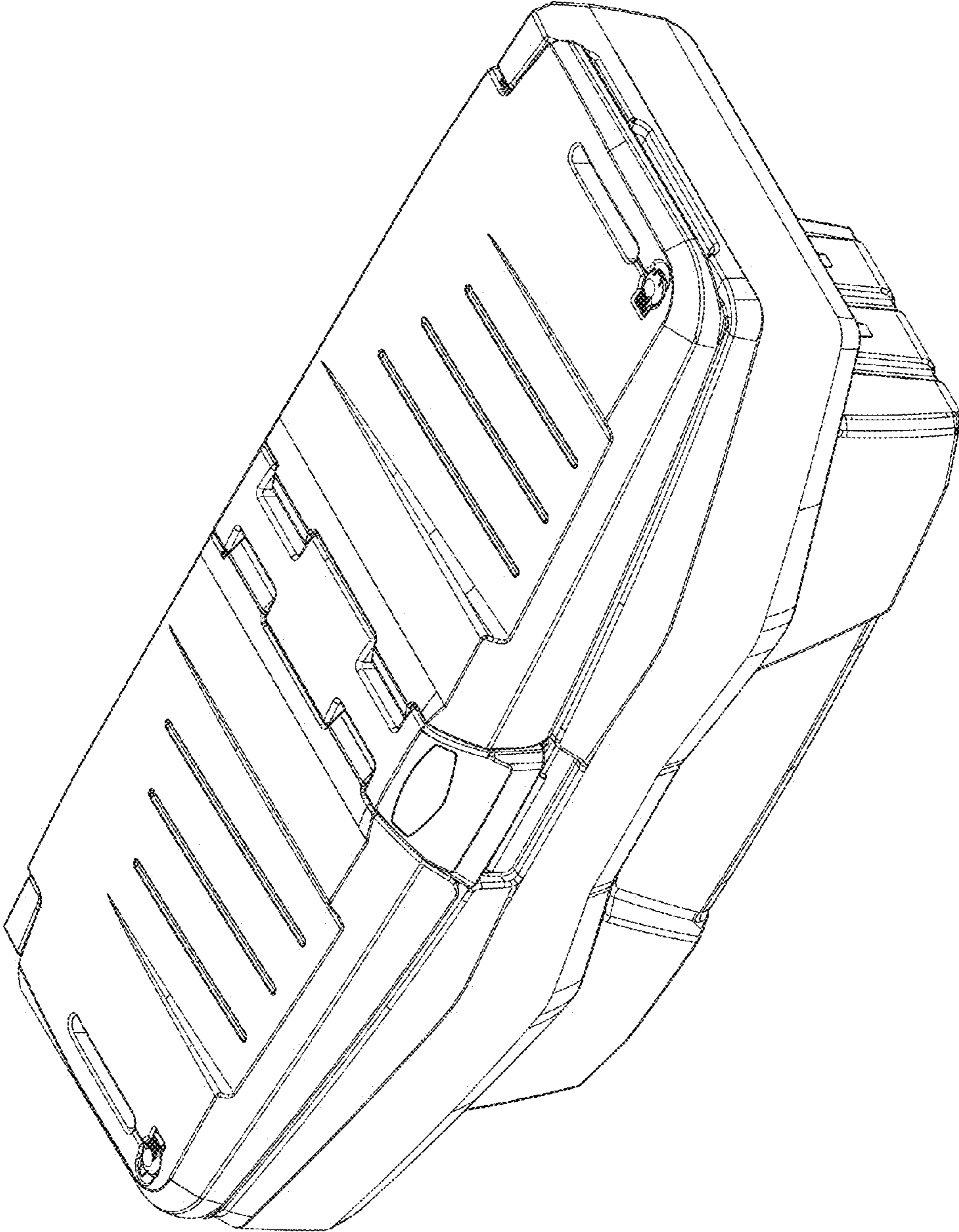


Fig. 1

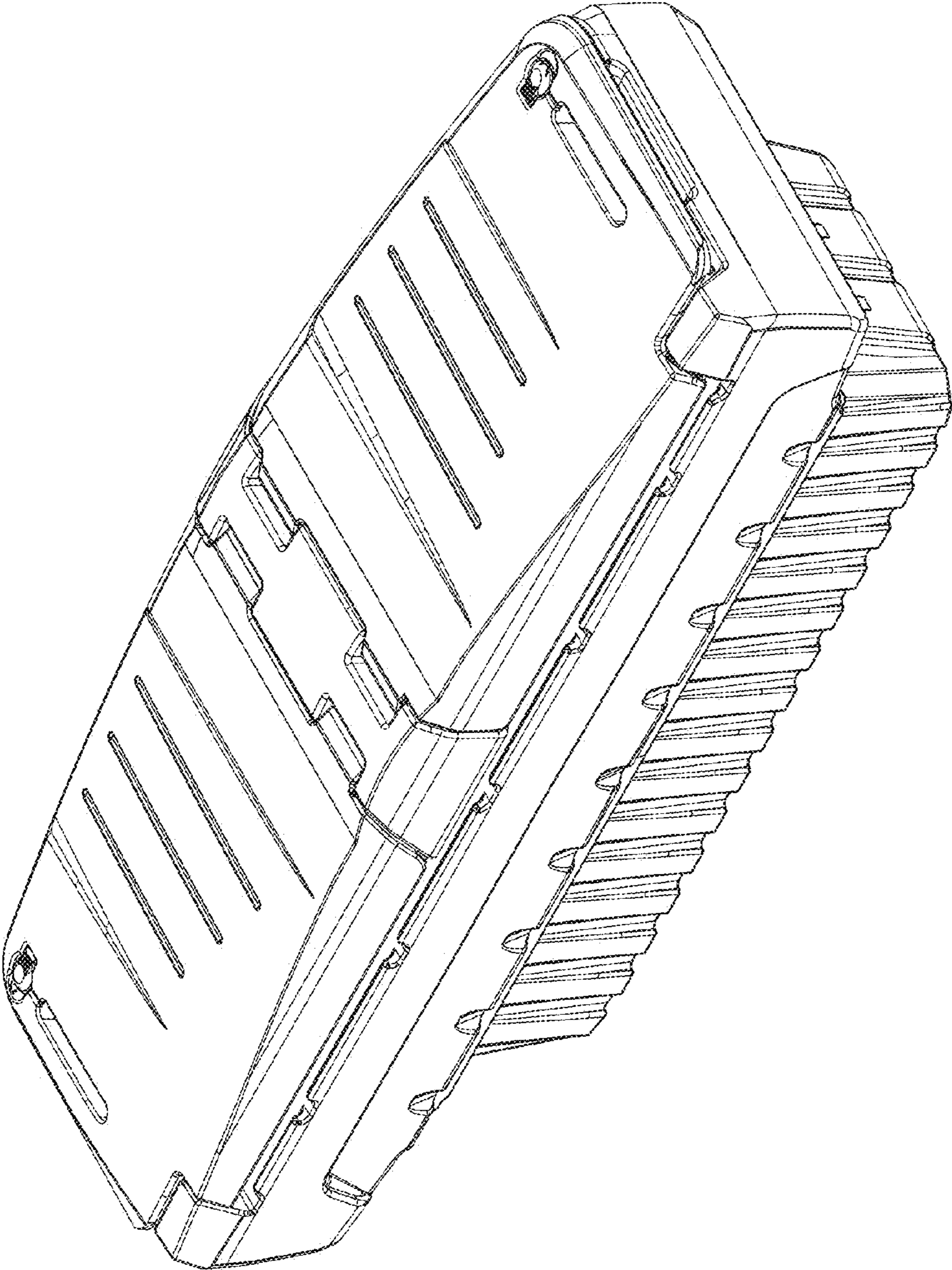


Fig. 2

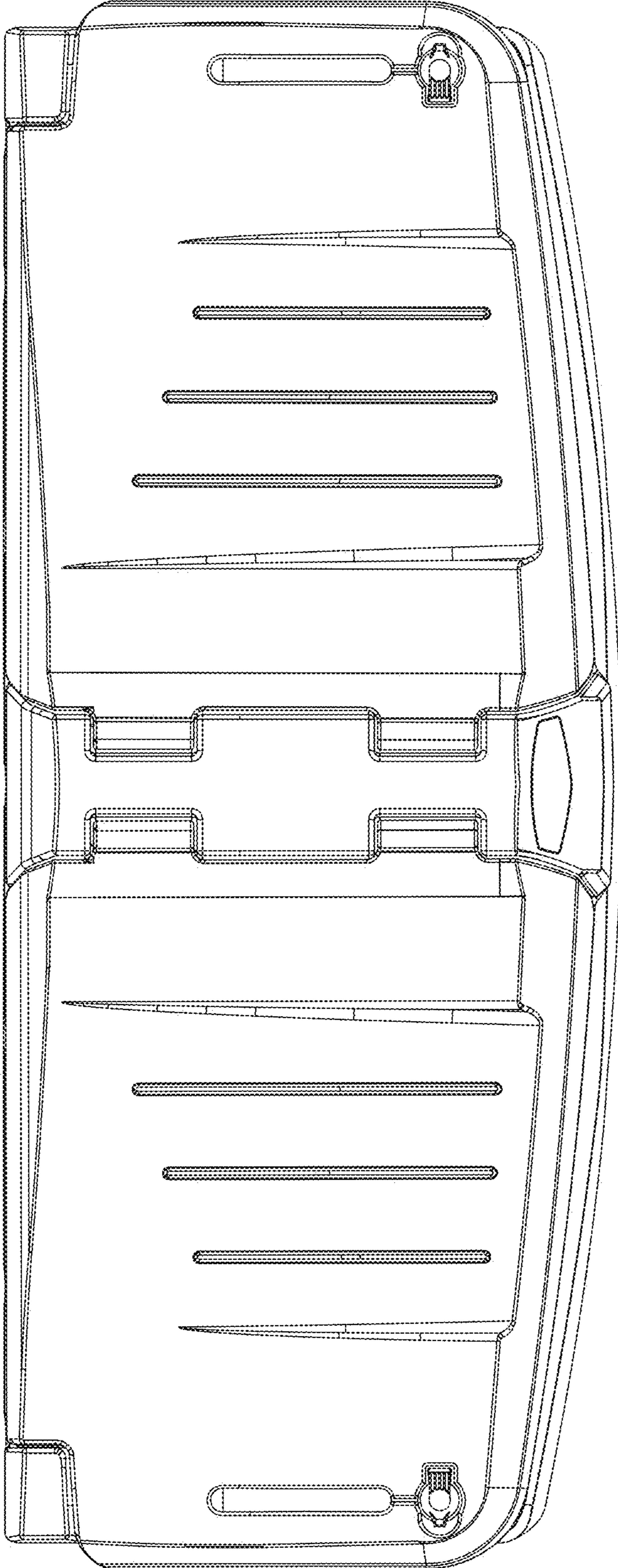


Fig. 3

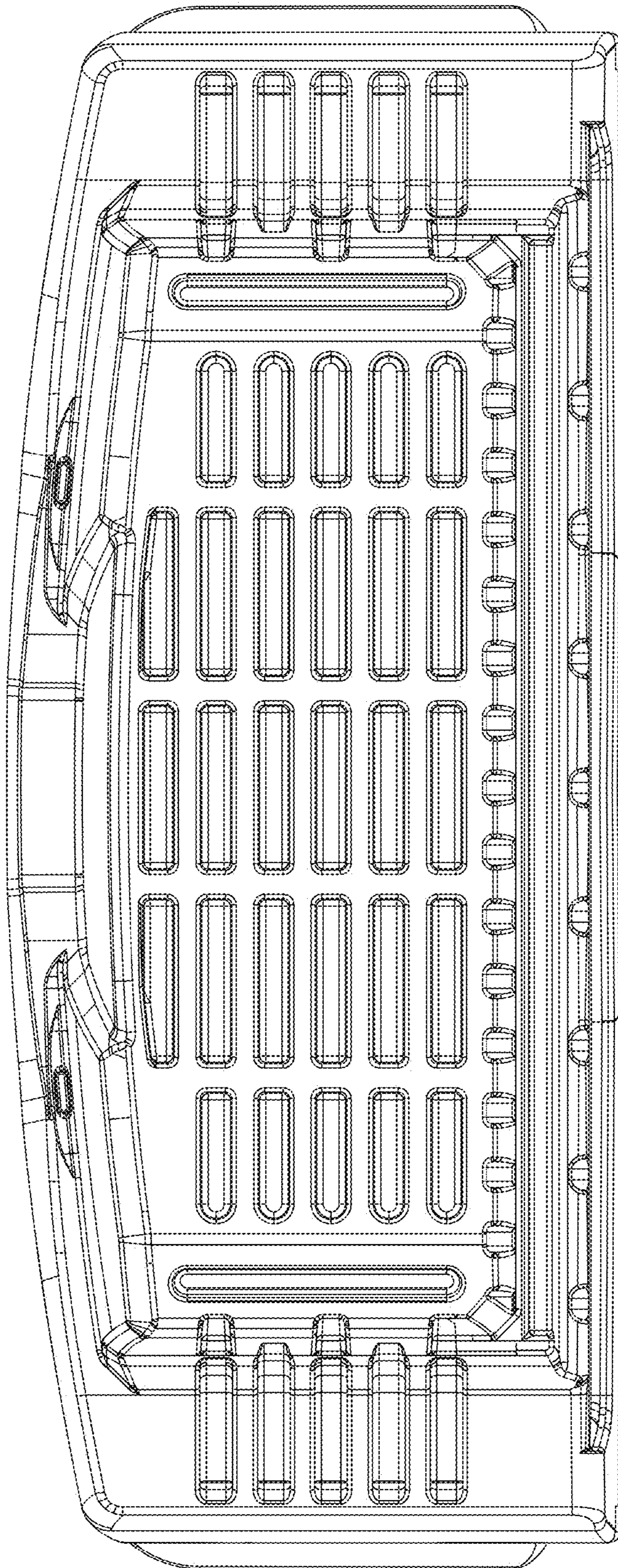


Fig. 4

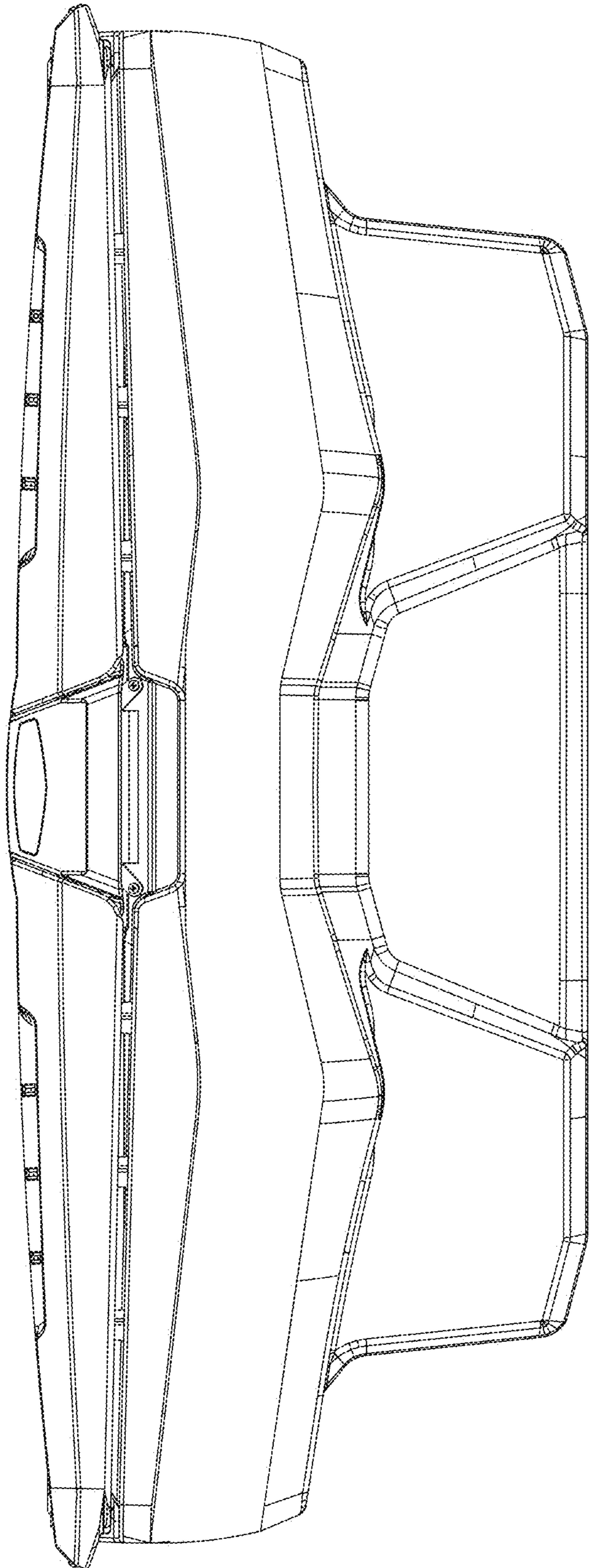


Fig. 5

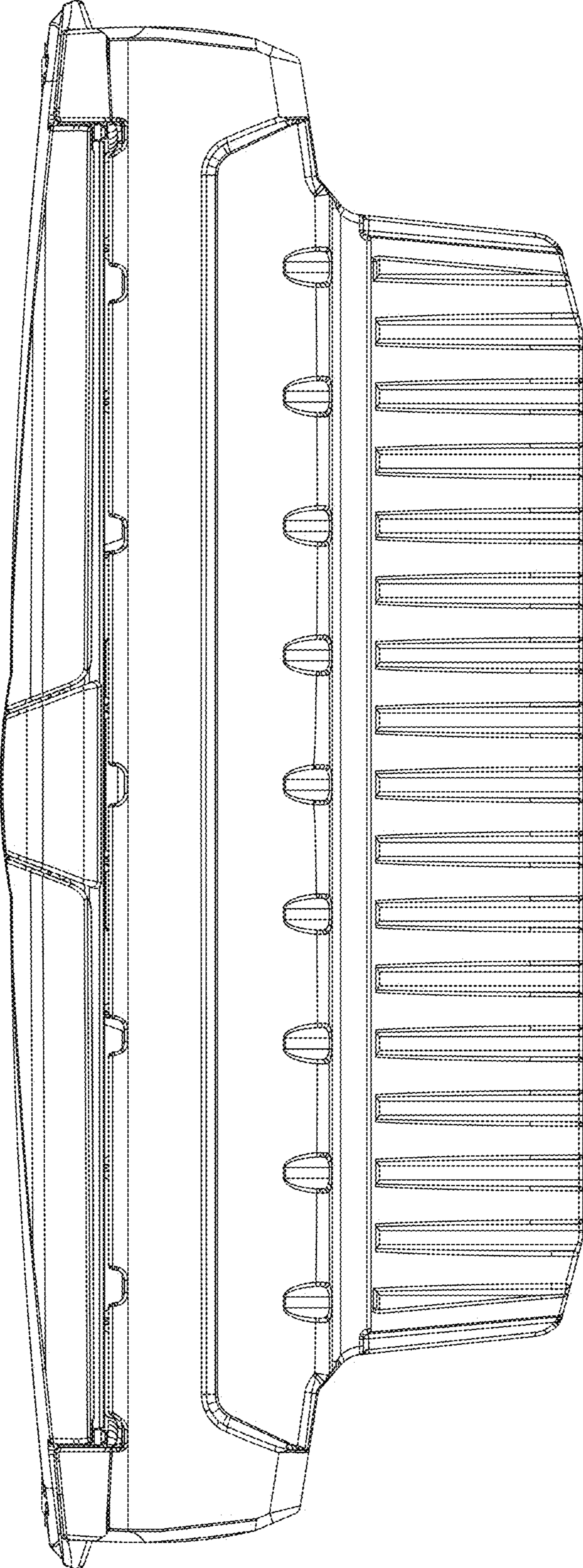


Fig. 6

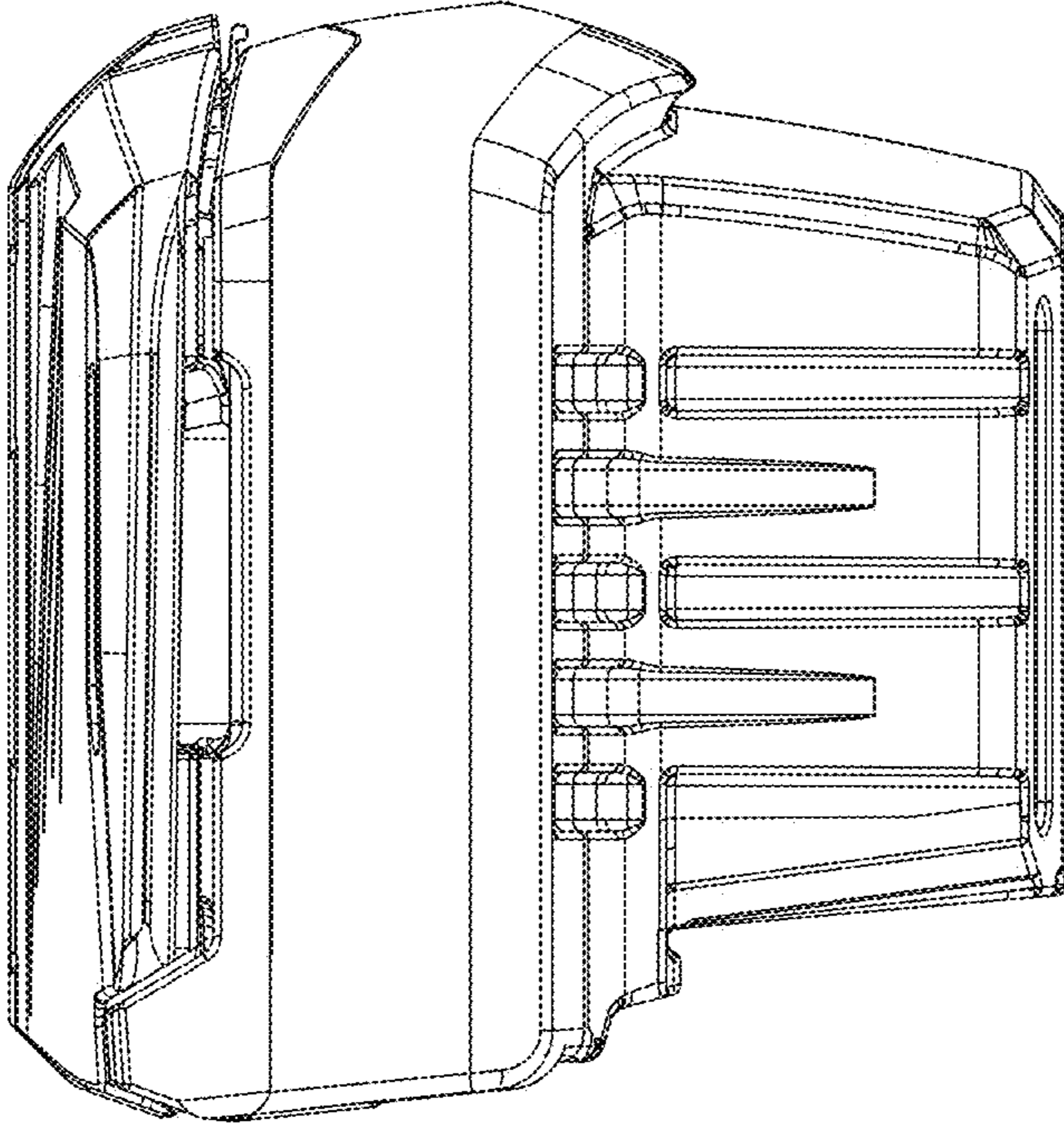


Fig. 8

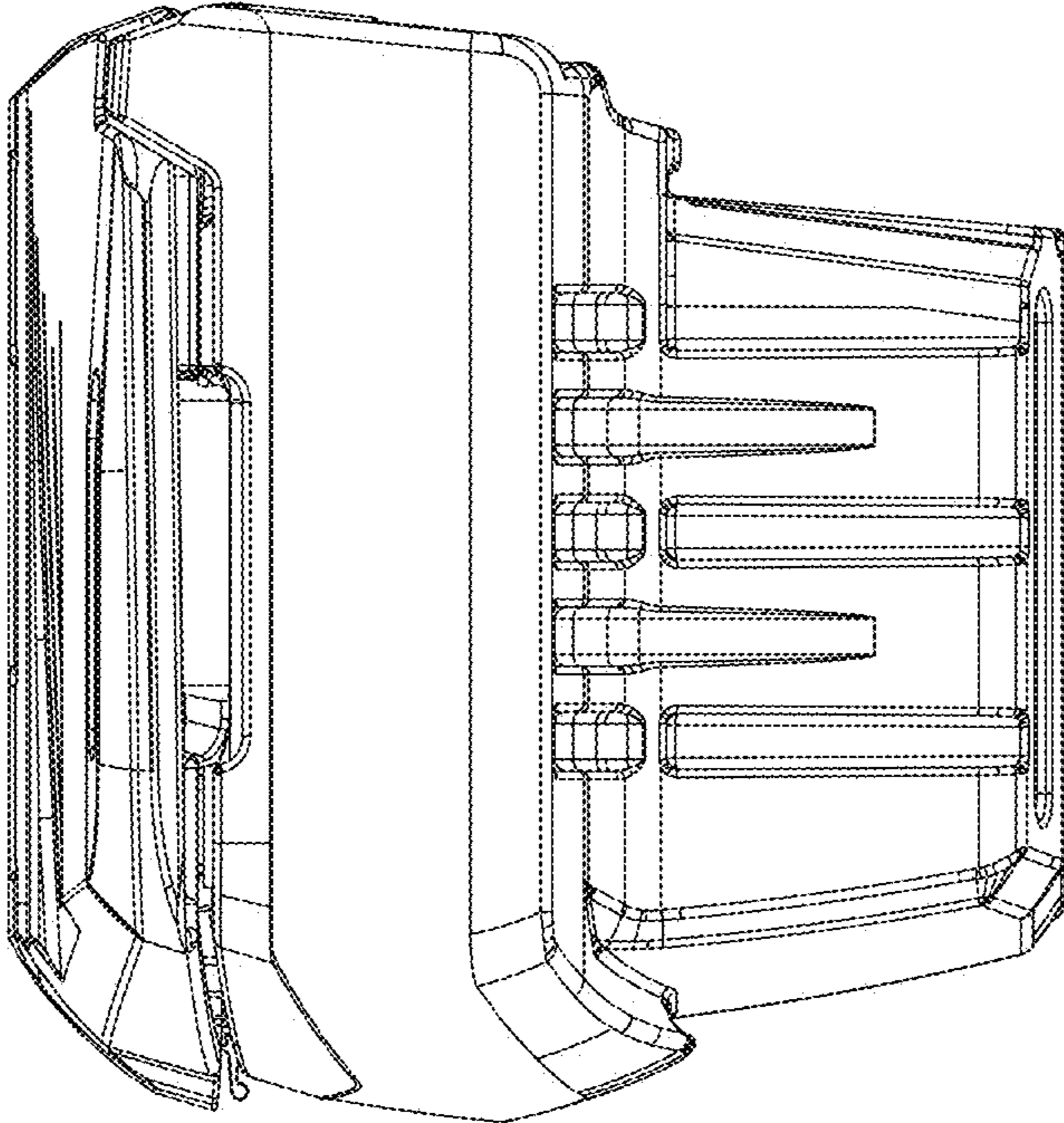


Fig. 7