



US00D720678S

(12) **United States Design Patent**  
**Hodges**

(10) **Patent No.:** **US D720,678 S**

(45) **Date of Patent:** **\*\* Jan. 6, 2015**

(54) **WHEEL**

(71) Applicant: **Frank J. Hodges**, Corona, CA (US)

(72) Inventor: **Frank J. Hodges**, Corona, CA (US)

(\*\*) Term: **14 Years**

(21) Appl. No.: **29/496,314**

(22) Filed: **Jul. 11, 2014**

(51) **LOC (10) Cl.** ..... **12-16**

(52) **U.S. Cl.**  
USPC ..... **D12/209**

(58) **Field of Classification Search**  
CPC ..... B60B 7/00; B60B 7/02; B60B 7/04;  
B60B 7/01; B60B 7/06; B60B 3/02; B60B  
3/04; B60B 3/06; B60B 3/10; B60B 1/00;  
B60B 1/08; B60B 1/10; B60B 1/12  
USPC ..... D12/204-213  
See application file for complete search history.

(56) **References Cited**

**U.S. PATENT DOCUMENTS**

D442,531 S	*	5/2001	Brintouch	.....	D12/204
D444,438 S	*	7/2001	Brintouch	.....	D12/209
D449,810 S	*	10/2001	Hussaini et al.	.....	D12/209
D497,584 S	*	10/2004	Smith et al.	.....	D12/209

D499,685 S	*	12/2004	Schaefers	.....	D12/211
D504,379 S	*	4/2005	Kern	.....	D12/209
D531,949 S	*	11/2006	Arora	.....	D12/209
D535,603 S	*	1/2007	Guevara	.....	D12/209
D612,787 S	*	3/2010	Juergens et al.	.....	D12/209
D618,154 S	*	6/2010	Zhao	.....	D12/209
D618,606 S	*	6/2010	Zhao	.....	D12/209
D622,651 S	*	8/2010	Zhao	.....	D12/209
D630,144 S	*	1/2011	Chung	.....	D12/209
D638,339 S	*	5/2011	Tirado	.....	D12/209
D642,106 S	*	7/2011	Antoniadis et al.	.....	D12/209
D667,769 S	*	9/2012	Pollmann	.....	D12/209
D681,532 S	*	5/2013	Zhao	.....	D12/209
D697,011 S	*	1/2014	Kang	.....	D12/209
D710,287 S	*	8/2014	Ishii	.....	D12/209

\* cited by examiner

*Primary Examiner* — Stacia Cadmus

(74) *Attorney, Agent, or Firm* — Eric B. Alspaugh

(57) **CLAIM**

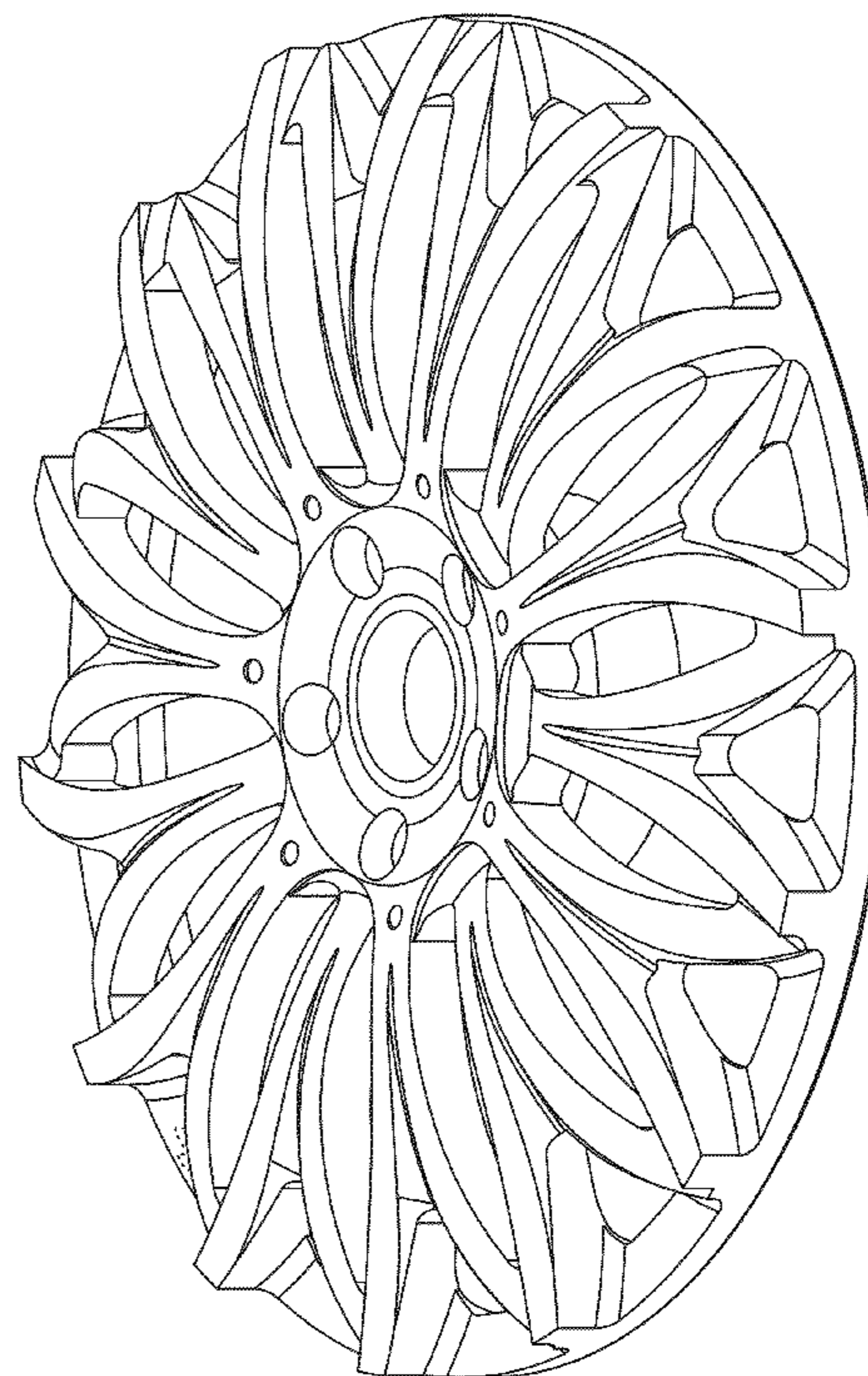
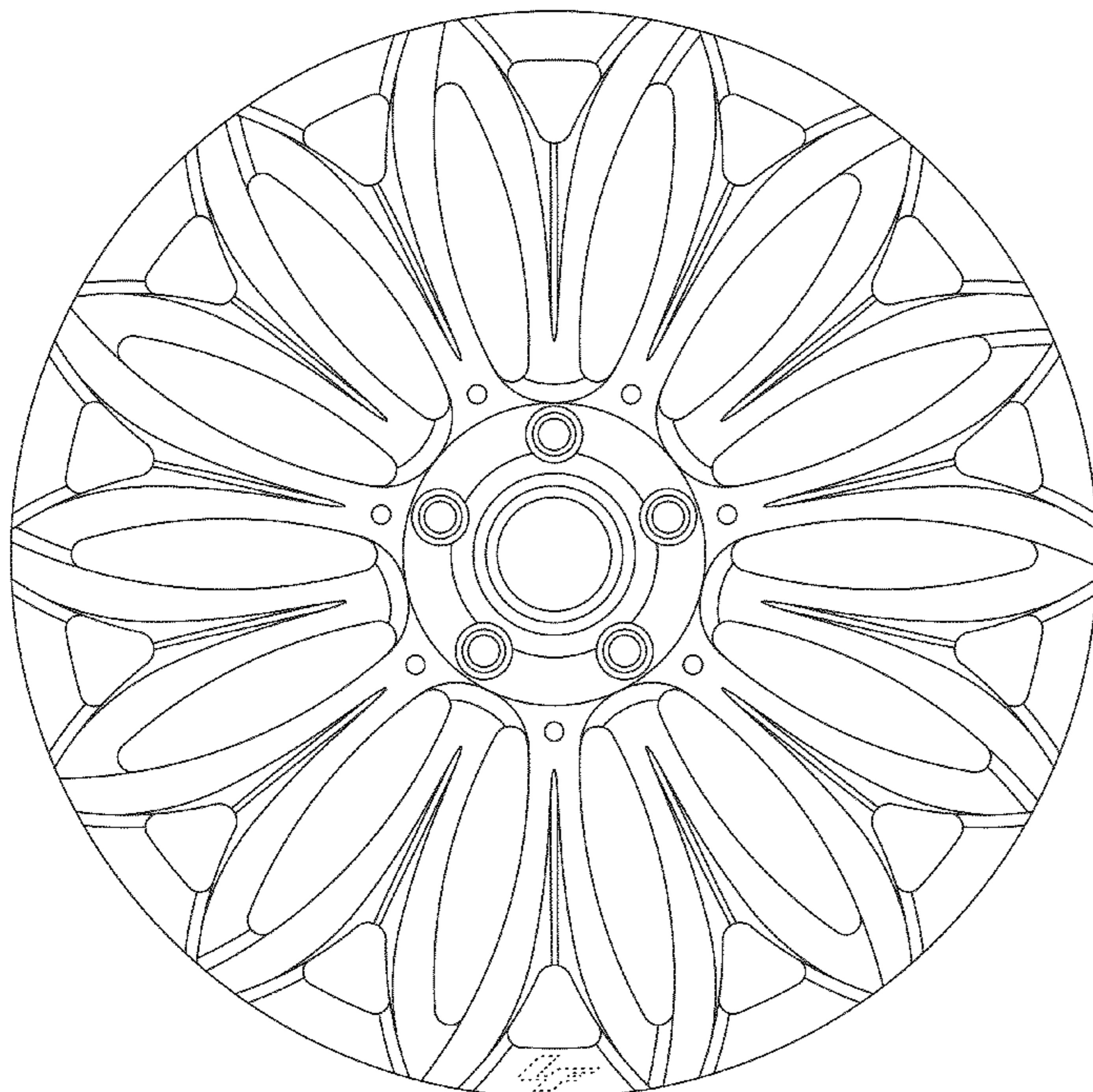
The ornamental design for a wheel, as shown and described.

**DESCRIPTION**

FIG. 1 is a front view of a wheel, showing my new design;  
FIG. 2 is a side view thereof; and,  
FIG. 3 is a perspective view thereof.

The broken line showing of LF is included for the purpose of illustrating environment and forms no part of the claimed design.

**1 Claim, 3 Drawing Sheets**



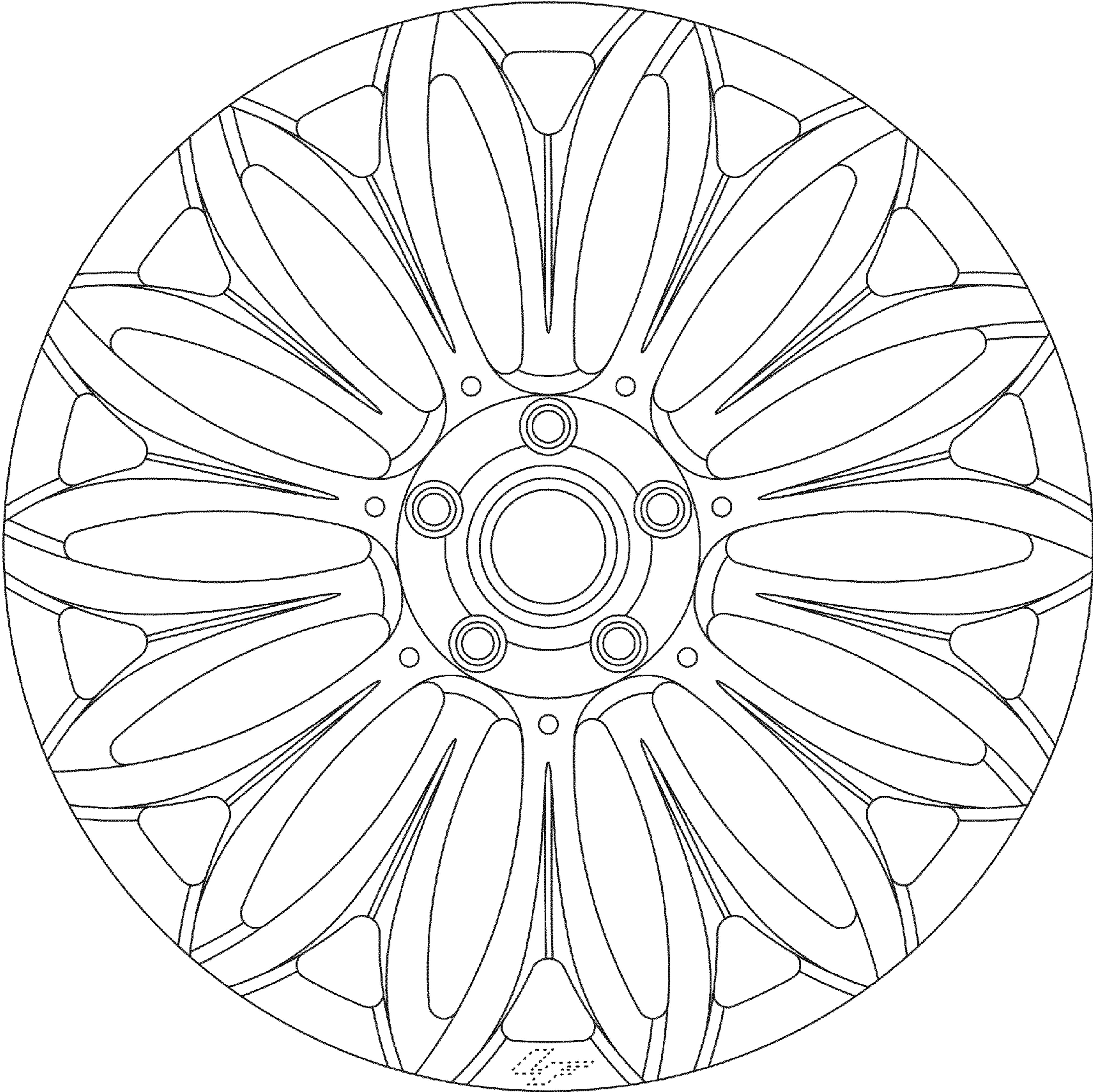


Fig. 1

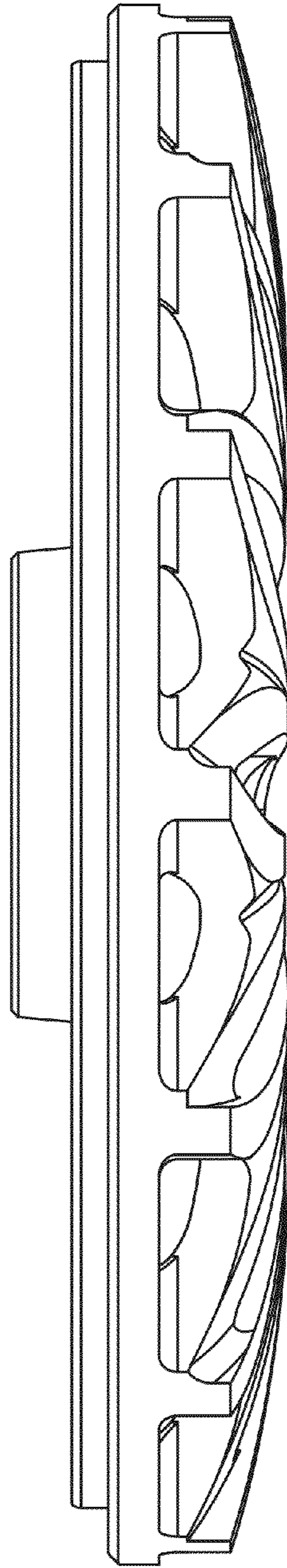


Fig. 2

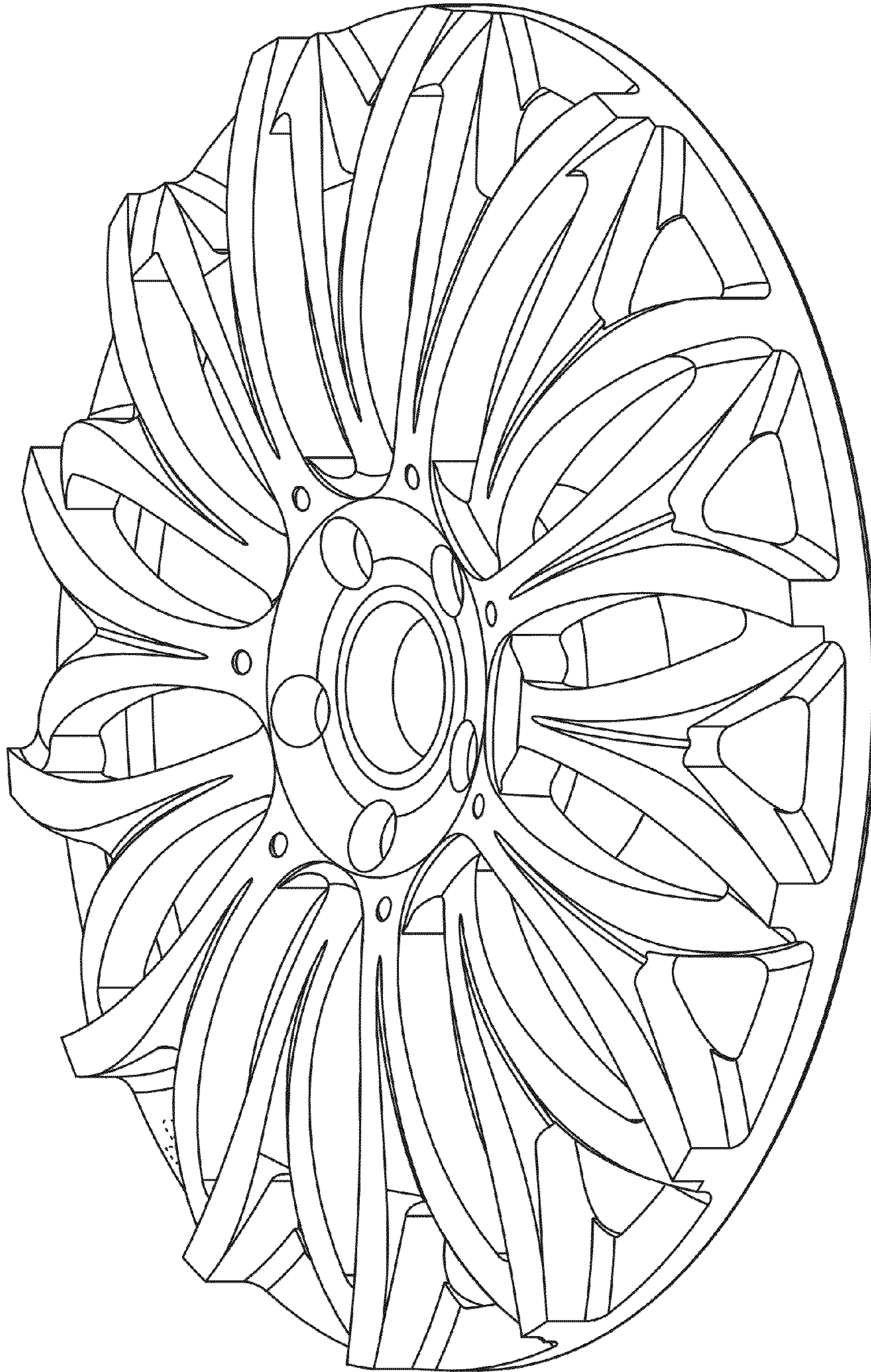


Fig. 3