



US00D720676S

(12) **United States Design Patent**
Caswell et al.

(10) **Patent No.:** **US D720,676 S**
(45) **Date of Patent:** **** Jan. 6, 2015**

(54) **VEHICLE WHEEL**

(71) Applicant: **Ford Motor Company**, Dearborn, MI
(US)

(72) Inventors: **John C. Caswell**, Grosse Pointe, MI
(US); **David C. Mahoney**, Orchard
Lake, MI (US); **Christopher Hamilton**,
Cold Norton (GB)

(73) Assignee: **Ford Motor Company**, Dearborn, MI
(US)

(**) Term: **14 Years**

(21) Appl. No.: **29/491,452**

(22) Filed: **May 21, 2014**

(51) **LOC (10) Cl.** **12-16**

(52) **U.S. Cl.**
USPC **D12/209**

(58) **Field of Classification Search**
CPC B60B 7/00; B60B 7/02; B60B 7/04;
B60B 7/01; B60B 7/06; B60B 3/02; B60B
3/04; B60B 3/06; B60B 3/10; B60B 1/00;
B60B 1/08; B60B 1/10; B60B 1/12
USPC D12/204–213

See application file for complete search history.

(56) **References Cited**

U.S. PATENT DOCUMENTS

D450,289 S *	11/2001	Chung	D12/211
D454,107 S *	3/2002	Chung	D12/211
D479,177 S *	9/2003	Nordmann	D12/211
D499,060 S *	11/2004	Cahyono	D12/209
D504,102 S *	4/2005	Cheng	D12/211
D513,726 S *	1/2006	Kamimura	D12/211
D515,494 S *	2/2006	Laengerer	D12/211
D520,437 S *	5/2006	Scheu	D12/211
D525,578 S *	7/2006	Schell	D12/211
D571,703 S *	6/2008	Antoniadis et al.	D12/211
D591,662 S *	5/2009	Imai	D12/211
D618,605 S *	6/2010	Zhao	D12/209
D633,027 S *	2/2011	Matei et al.	D12/211
D641,680 S *	7/2011	Laengerer	D12/211
D668,199 S *	10/2012	Tant et al.	D12/211
D671,880 S *	12/2012	Telaak	D12/209
D689,000 S *	9/2013	Platto et al.	D12/209
D696,616 S *	12/2013	Gueler et al.	D12/209
D697,013 S *	1/2014	Nemeth	D12/211
D701,810 S *	4/2014	Zhang	D12/211

* cited by examiner

Primary Examiner — Stacia Cadmus

(74) *Attorney, Agent, or Firm* — Damian Porcari

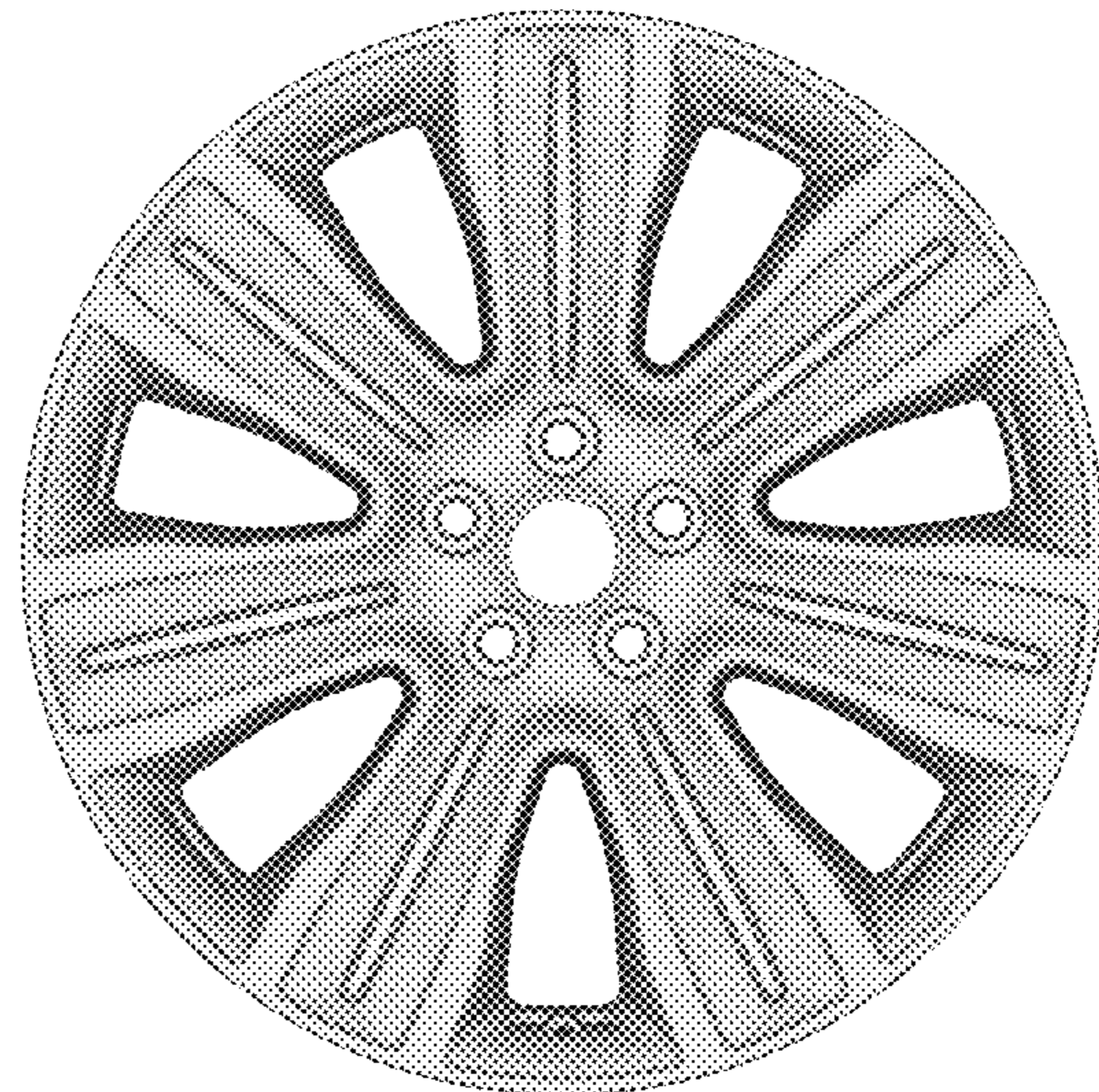
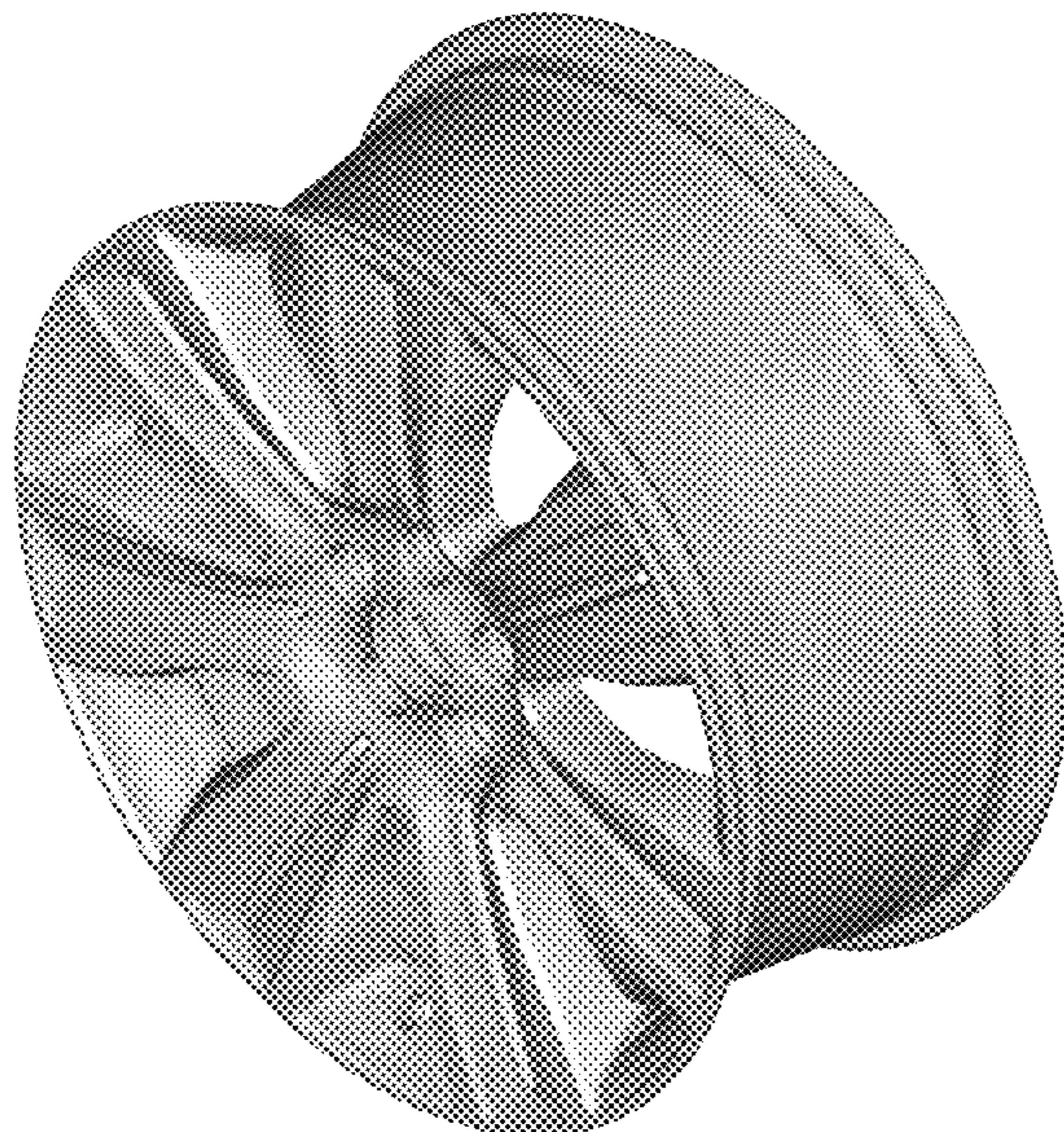
(57) **CLAIM**

The ornamental design for a vehicle wheel, as shown and described.

DESCRIPTION

FIG. 1 is a perspective view of a vehicle wheel; and, FIG. 2 is a front view thereof.

1 Claim, 2 Drawing Sheets



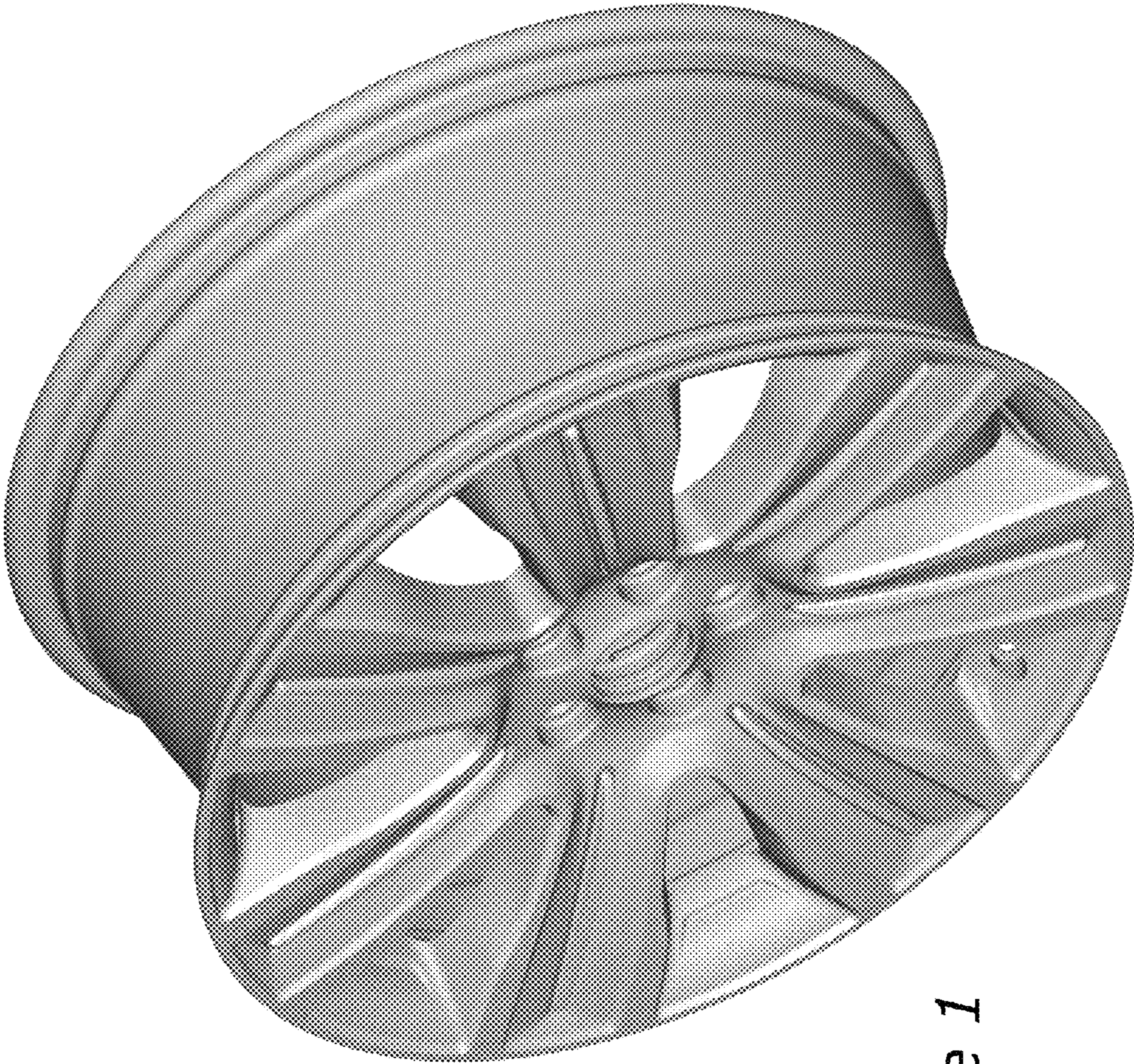


Figure 1



Figure 2