



US00D720673S

(12) **United States Design Patent**
Fickling

(10) **Patent No.:** **US D720,673 S**
(45) **Date of Patent:** **** Jan. 6, 2015**

(54) **REAR BAR CARRIER**

(71) Applicant: **ARB Corporation Limited**, Kilsyth,
VIC (AU)

(72) Inventor: **Ethan Fickling**, Kilsyth (AU)

(73) Assignee: **ARB Corporation Limited**, Kilsyth
(AU)

(**) Term: **14 Years**

(21) Appl. No.: **29/477,182**

(22) Filed: **Dec. 19, 2013**

(30) **Foreign Application Priority Data**

Oct. 28, 2013 (AU) 15507/2013

(51) **LOC (10) Cl.** **12-16**

(52) **U.S. Cl.**
USPC **D12/202**

(58) **Field of Classification Search**
USPC D12/202, 400, 196; 141/462-466, 400;
296/146.11; 362/496, 500, 505,
362/540-541; 224/42.21-23, 538
See application file for complete search history.

(56) **References Cited**

U.S. PATENT DOCUMENTS

D216,967 S * 3/1970 Harden D12/202
D251,839 S * 5/1979 Bodde D12/202

D256,345 S * 8/1980 Weiler D12/202
D289,030 S * 3/1987 Bowman D12/202
D308,959 S * 7/1990 Ware D12/202
D310,507 S * 9/1990 Ware D12/202
D424,005 S * 5/2000 Henry D12/202
D473,835 S * 4/2003 Roehmer et al. D12/202
D505,649 S * 5/2005 Kenney D12/202
D562,206 S * 2/2008 Newbill D12/202
D609,619 S * 2/2010 Newbill D12/202
D633,024 S * 2/2011 Harriton D12/202

* cited by examiner

Primary Examiner — Stacia Cadmus

(74) *Attorney, Agent, or Firm* — Davis Wright Tremaine
LLP; Heather M. Colburn

(57) **CLAIM**

The ornamental design for a rear bar carrier, as shown and described.

DESCRIPTION

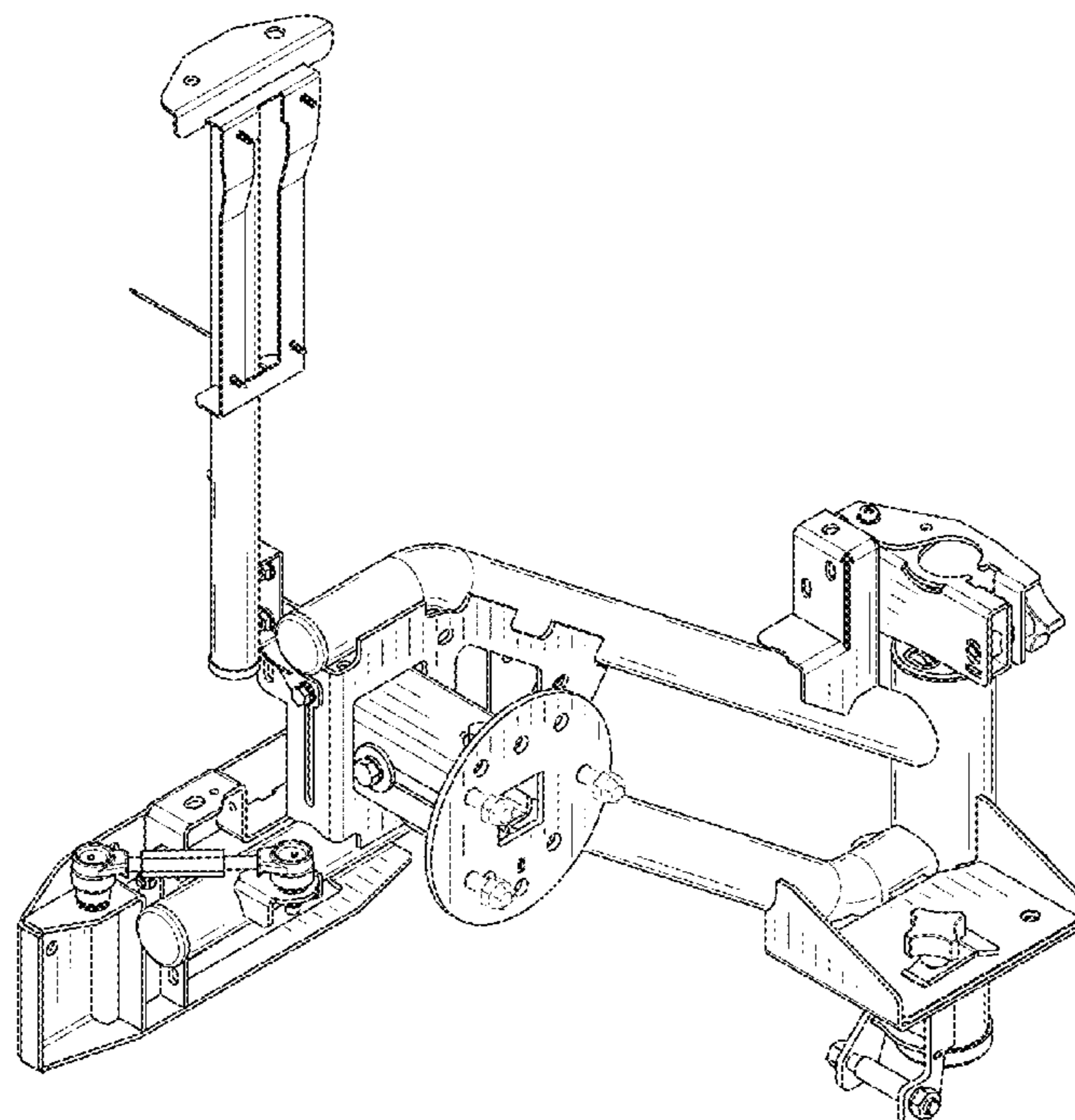
FIG. 1 is a left side, rear perspective view of a rear bar carrier showing my new design.

FIG. 2 is a rear view of the rear bar carrier of FIG. 1.

FIG. 3 is a left side view of the rear bar carrier of FIG. 1; and, FIG. 4 is a top plan view of the rear bar carrier of FIG. 1.

The broken lines represent portions of the rear bar carrier that form no part of the claim.

1 Claim, 4 Drawing Sheets



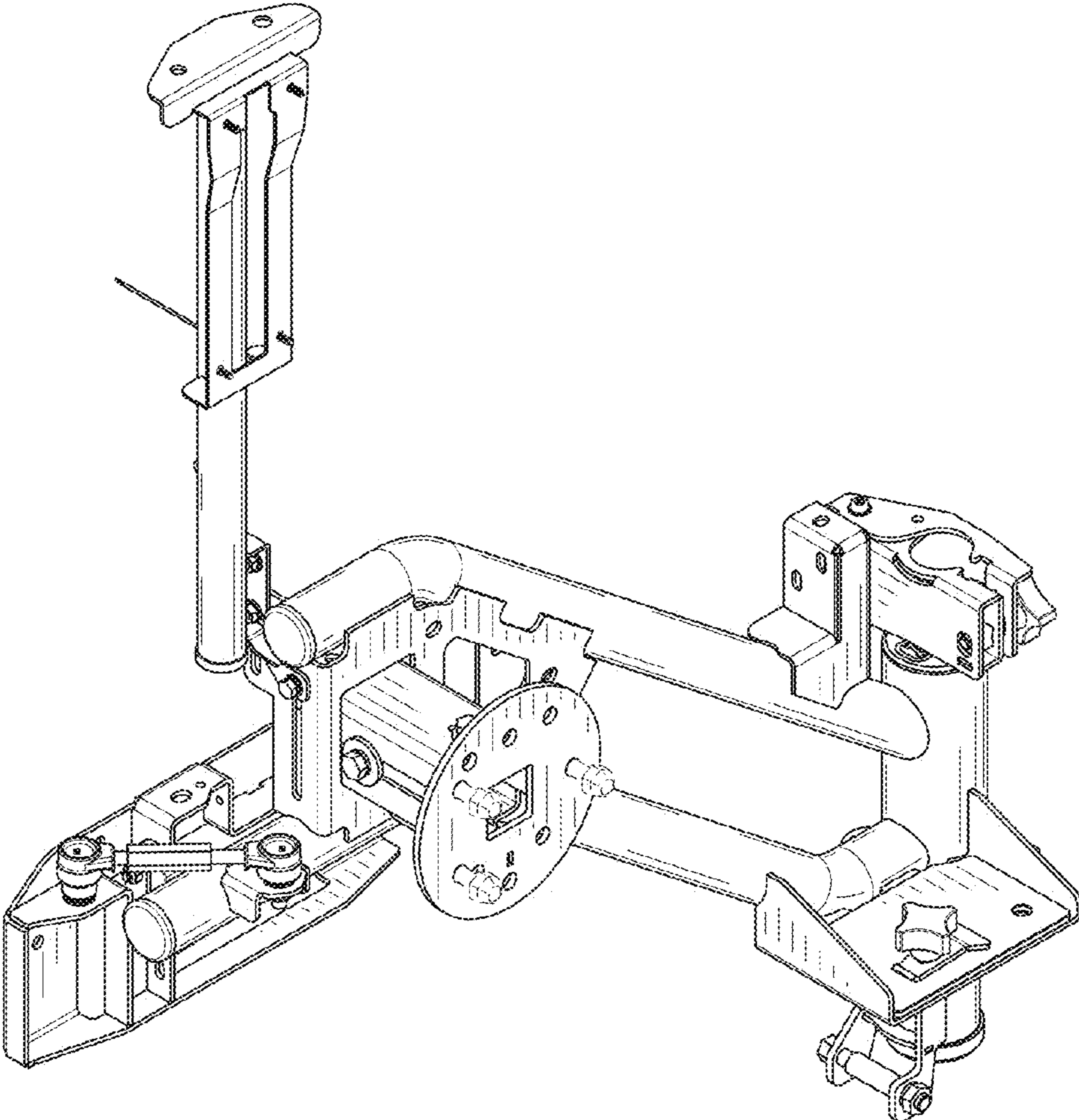


FIG.1

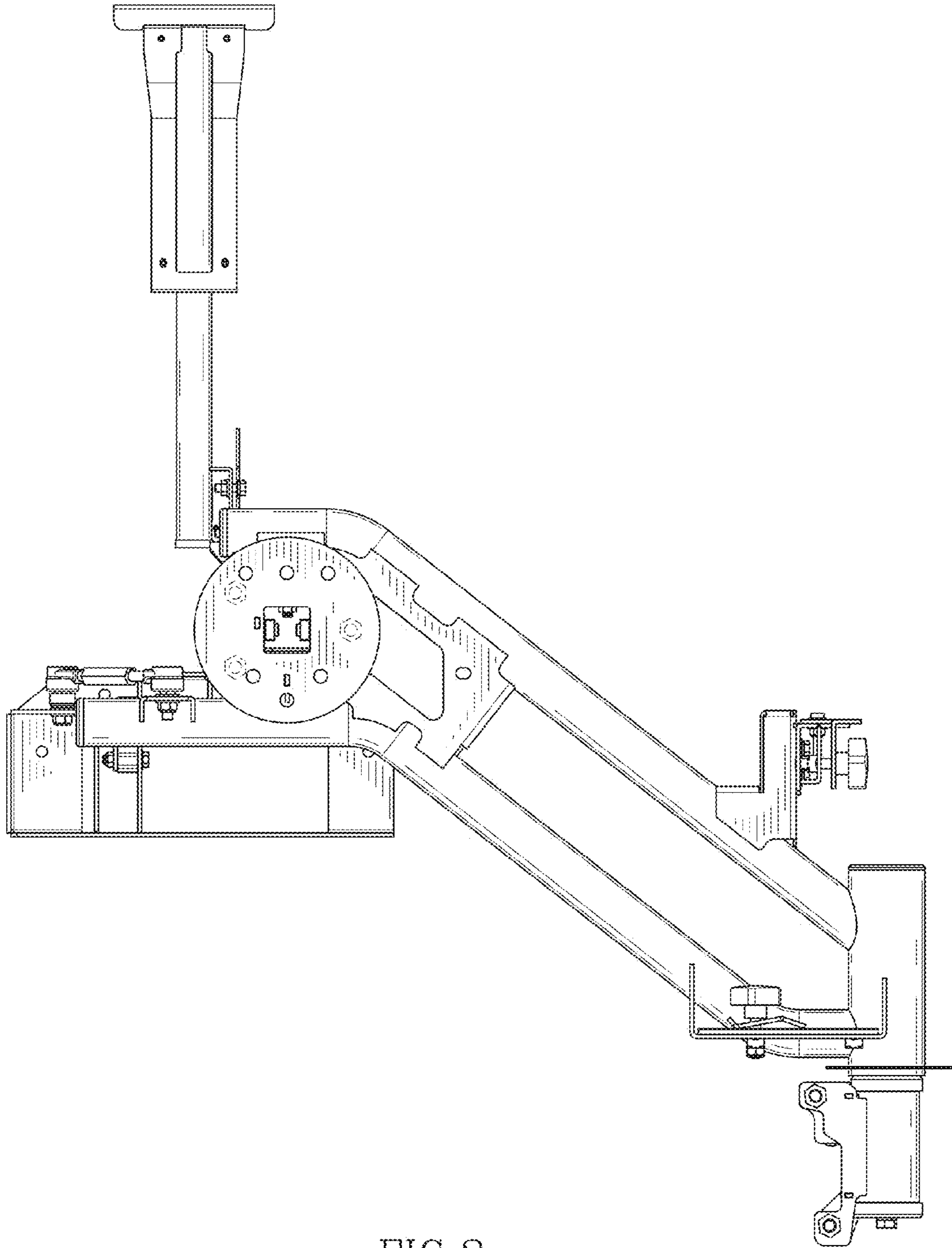


FIG. 2

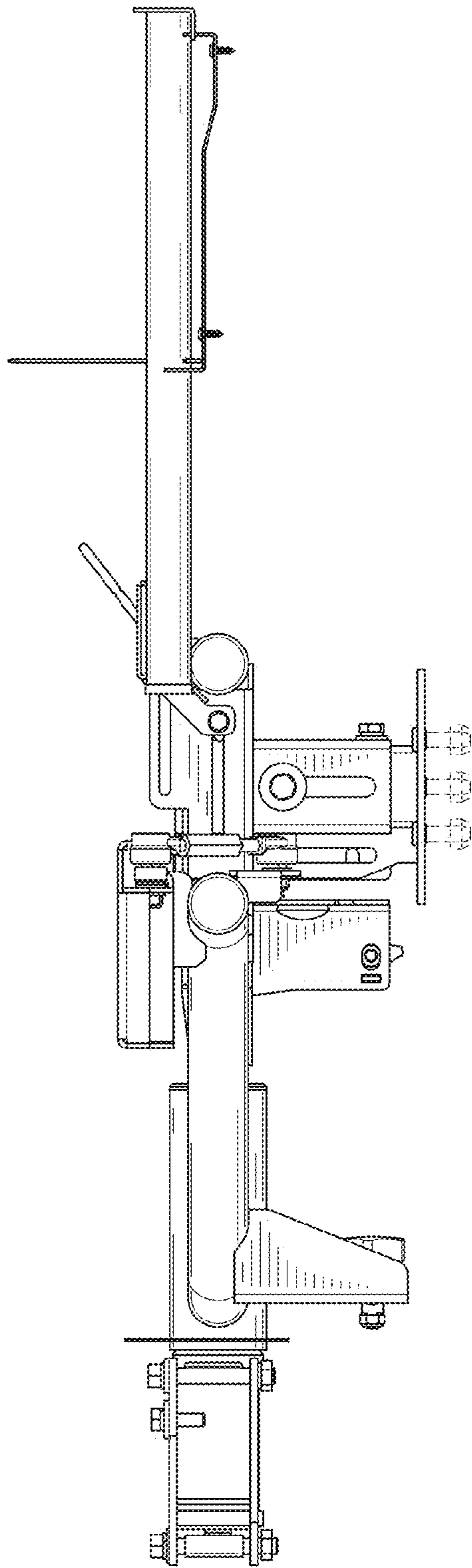


FIG. 3

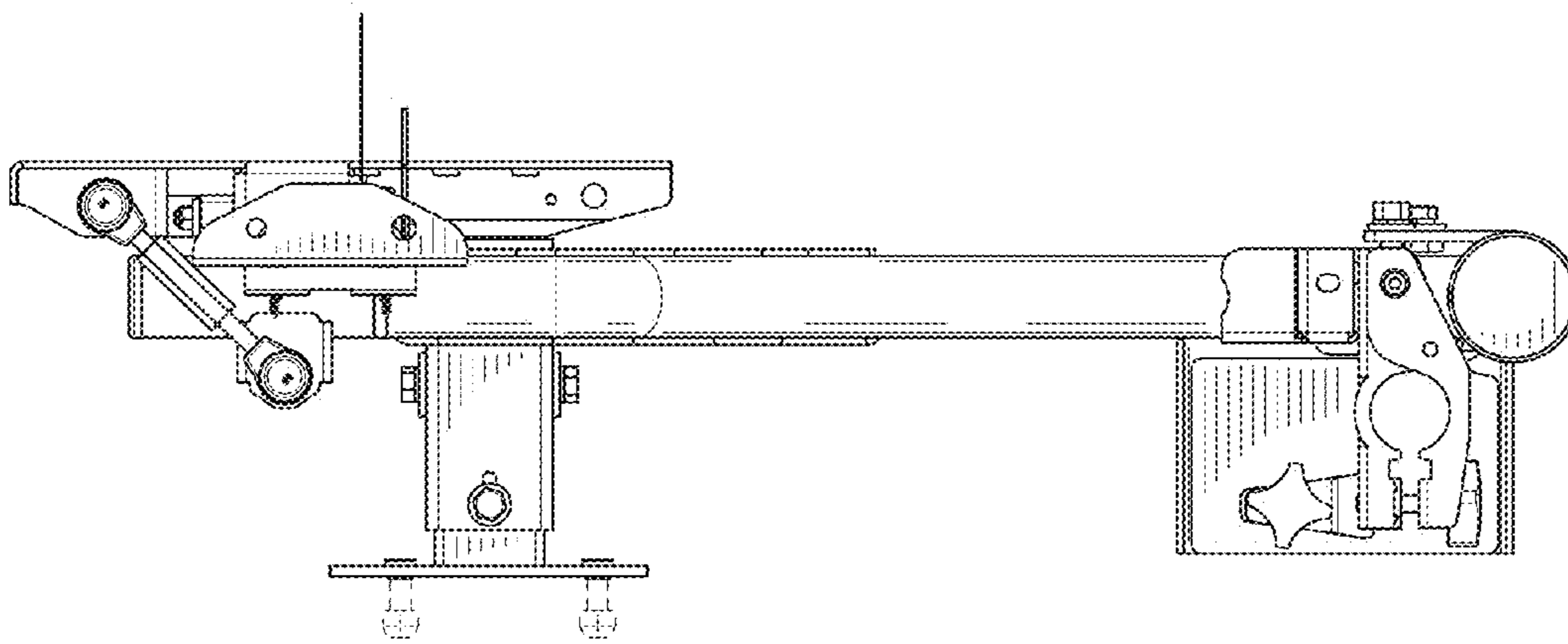


FIG.4