



US00D720672S

(12) **United States Design Patent**  
**Norman et al.**

(10) **Patent No.:** **US D720,672 S**  
(45) **Date of Patent:** **\*\* Jan. 6, 2015**

(54) **AIR BAG COVER**

(71) Applicant: **Honda Motor Co., Ltd**, Tokyo (JP)

(72) Inventors: **Johnathan Norman**, San Pedro, CA (US); **Ildefonso Burgos**, Orange, CA (US)

(73) Assignee: **Honda Motor Co., Ltd**, Tokyo (JP)

(\*\*) Term: **14 Years**

(21) Appl. No.: **29/451,073**

(22) Filed: **Mar. 27, 2013**

(51) **LOC (10) Cl.** ..... **12-16**

(52) **U.S. Cl.**  
USPC ..... **D12/195**

(58) **Field of Classification Search**  
USPC ..... D12/195, 193, 414, 190, 196; 180/190; 280/750-752; 296/190.01-191, 70, 296/193.08, 145, 153, 37.1-37.13, 149, 296/164.1; D15/17, 28; D10/46, 98, D10/102-103; 49/501-502; D8/302-303  
See application file for complete search history.

(56) **References Cited**

**U.S. PATENT DOCUMENTS**

6,050,594 A \* 4/2000 Budnick ..... 280/728.3  
6,158,764 A \* 12/2000 Preisler et al. .... 280/728.2  
6,209,905 B1 \* 4/2001 Preisler et al. .... 280/728.2

6,260,876 B1 \* 7/2001 Froude et al. .... 280/728.3  
6,347,806 B1 \* 2/2002 Froude et al. .... 280/728.2  
D639,219 S 6/2011 Fisker et al.  
2002/0053396 A1 \* 5/2002 Murar et al. .... 156/273.7  
2004/0021303 A1 \* 2/2004 Ford et al. .... 280/728.3  
2008/0116667 A1 \* 5/2008 Schulze ..... 280/728.1

**OTHER PUBLICATIONS**

Taiwanese Office Action dated Jul. 21, 2014, issued in corresponding Taiwanese Patent Application No. 102306356 with English translation (11 pages).

\* cited by examiner

*Primary Examiner* — Katrina A Betton

(74) *Attorney, Agent, or Firm* — Westerman, Hattori, Daniels & Adrian, LLP

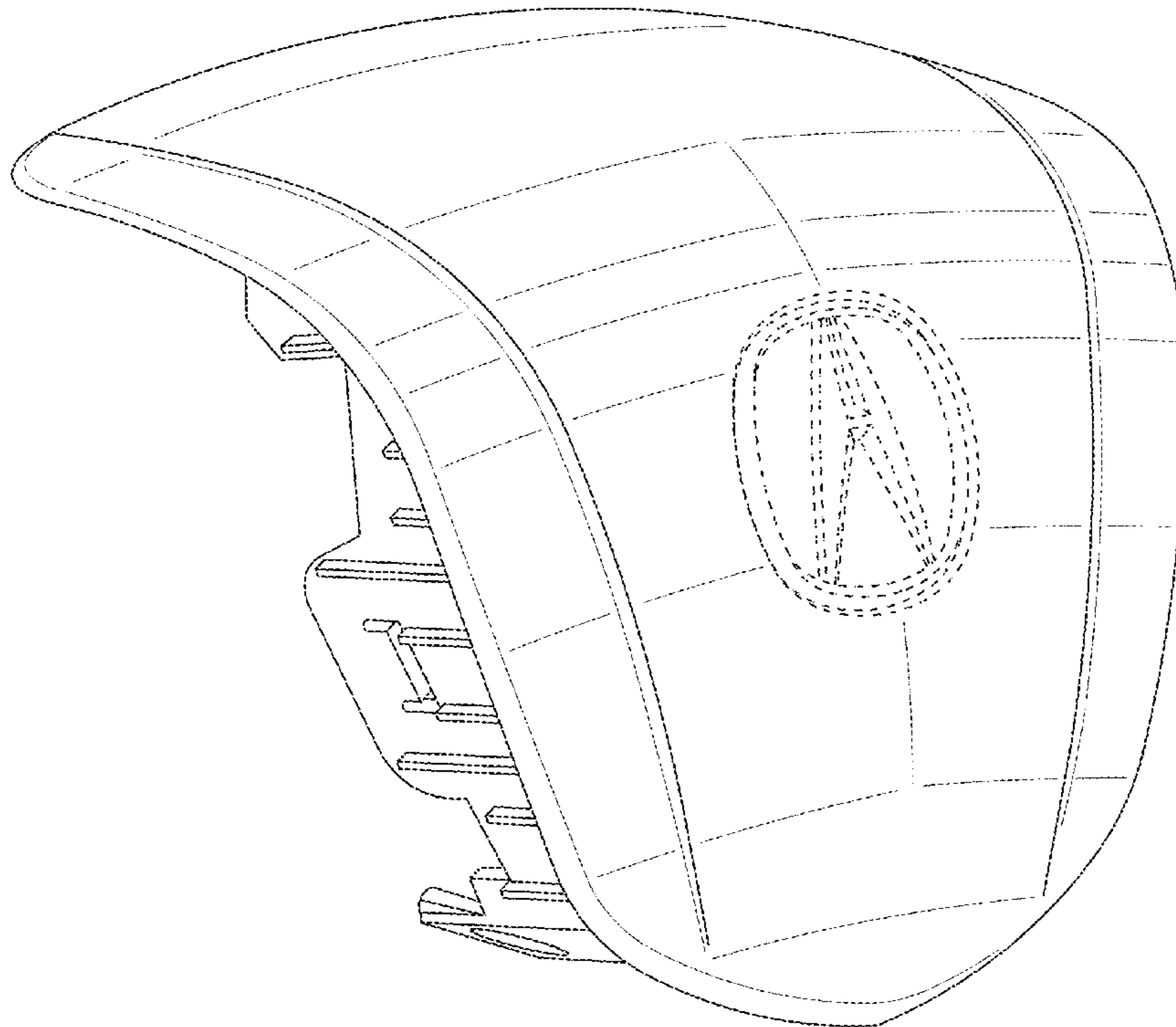
(57) **CLAIM**

The ornamental design for an air bag cover, as shown and described.

**DESCRIPTION**

FIG. 1 is a front perspective view of an air bag cover showing our new design;  
FIG. 2 is a front elevational view thereof;  
FIG. 3 is a left side elevational view, the right side being a mirror image thereof;  
FIG. 4 is a top plan view thereof; and,  
FIG. 5 is a bottom plan view thereof.  
In the drawings, the broken lines depict portions of the article that form no part of the claimed design.

**1 Claim, 5 Drawing Sheets**



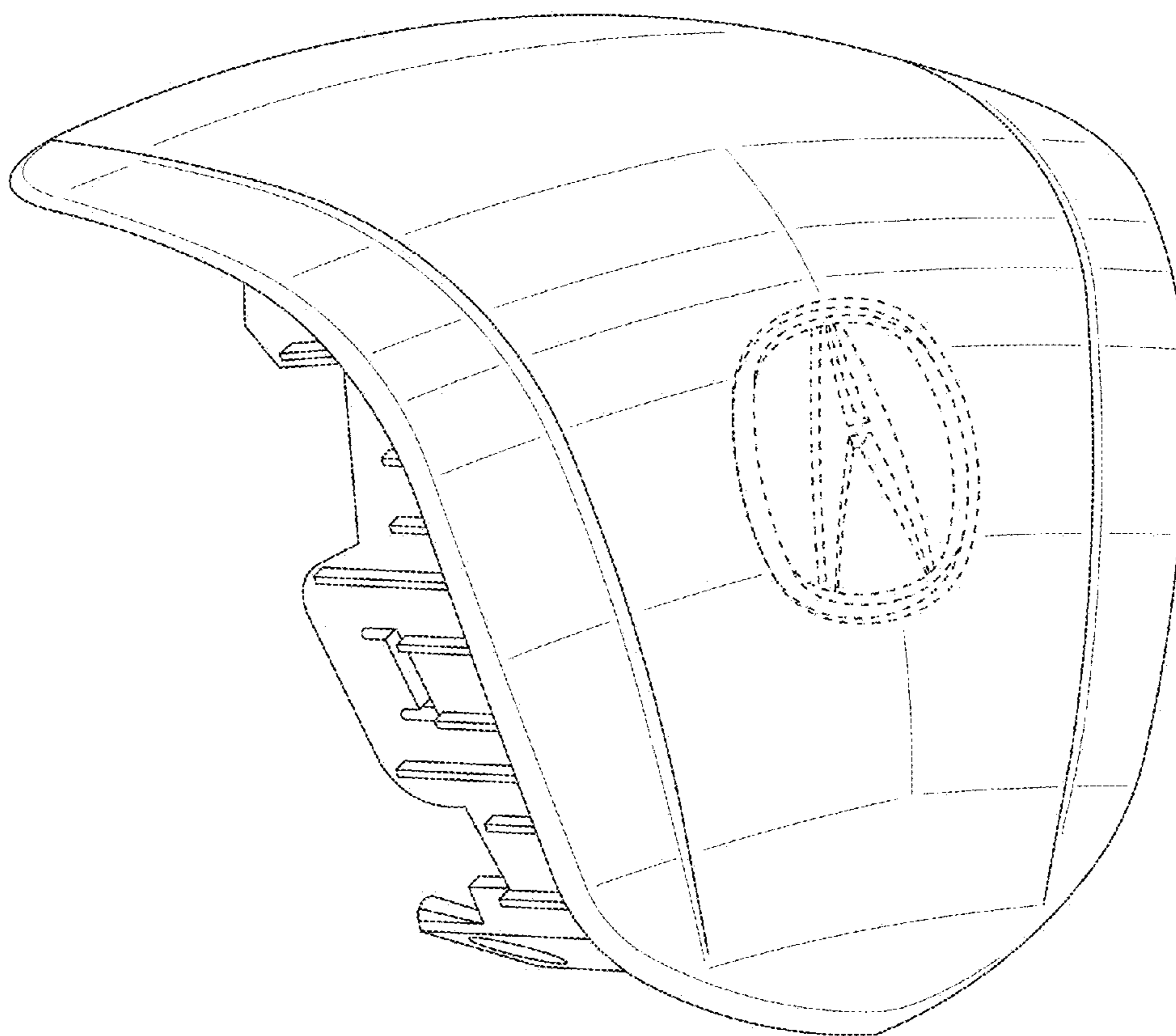


FIG. 1

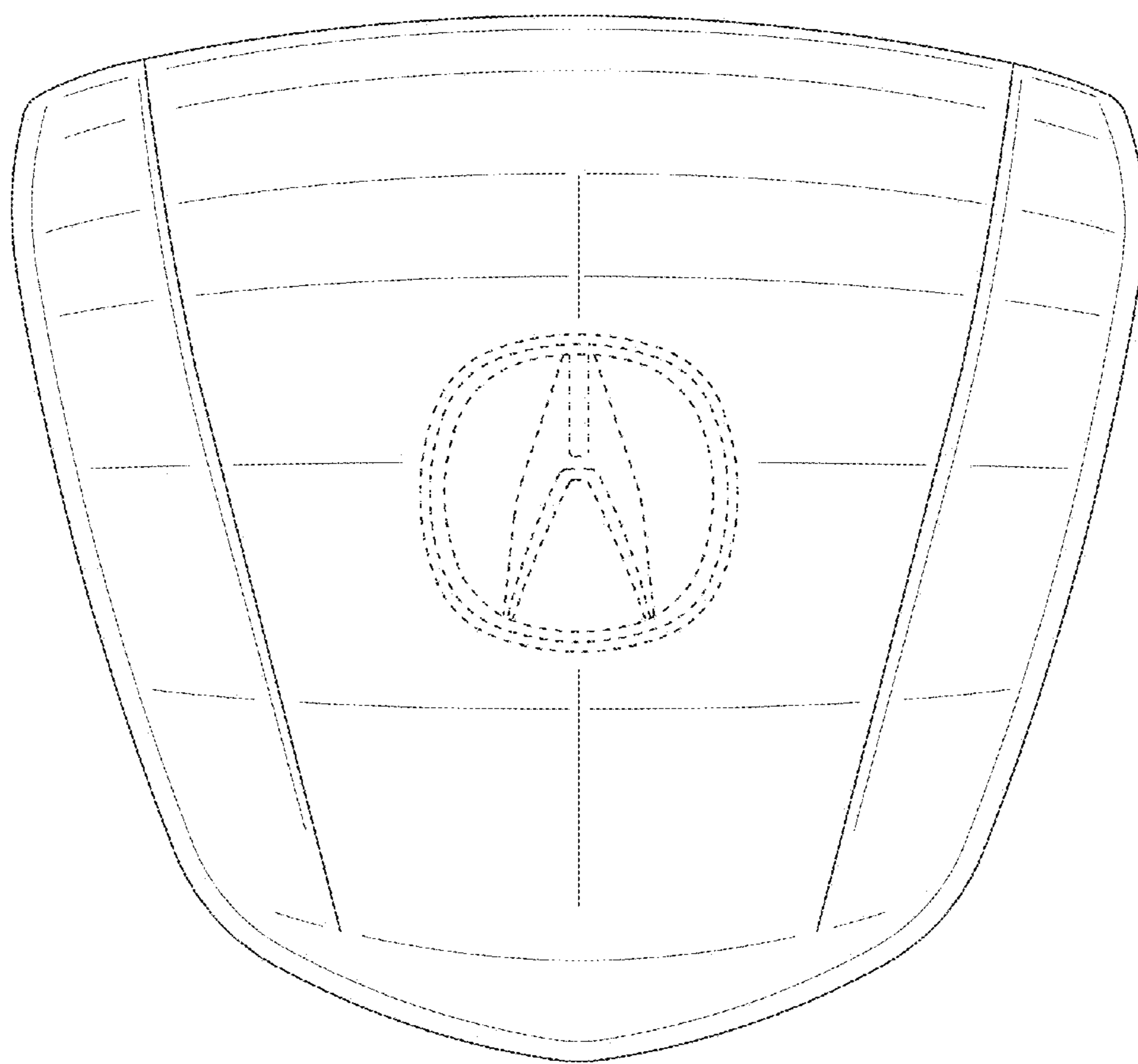


FIG. 2

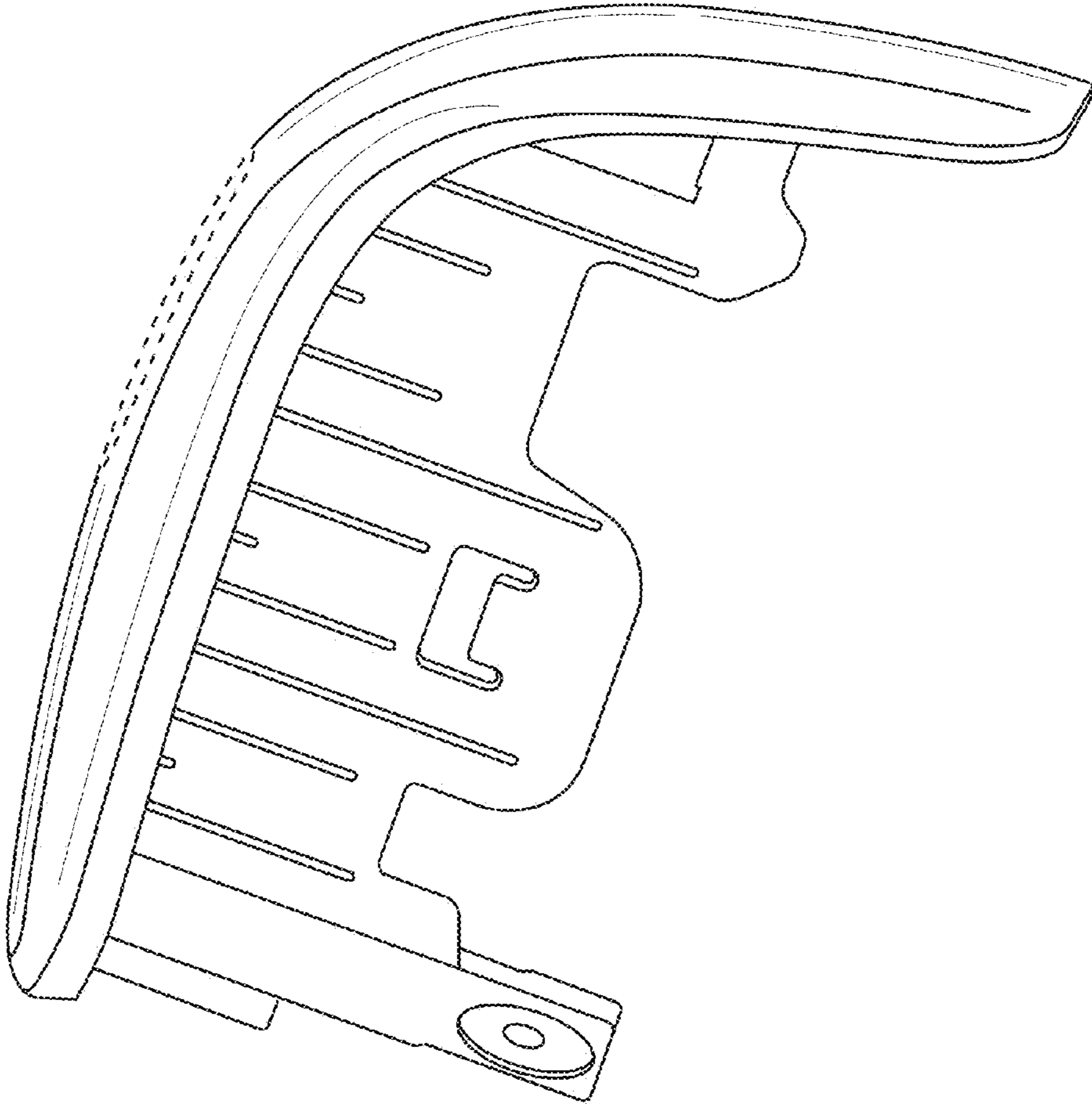


FIG. 3

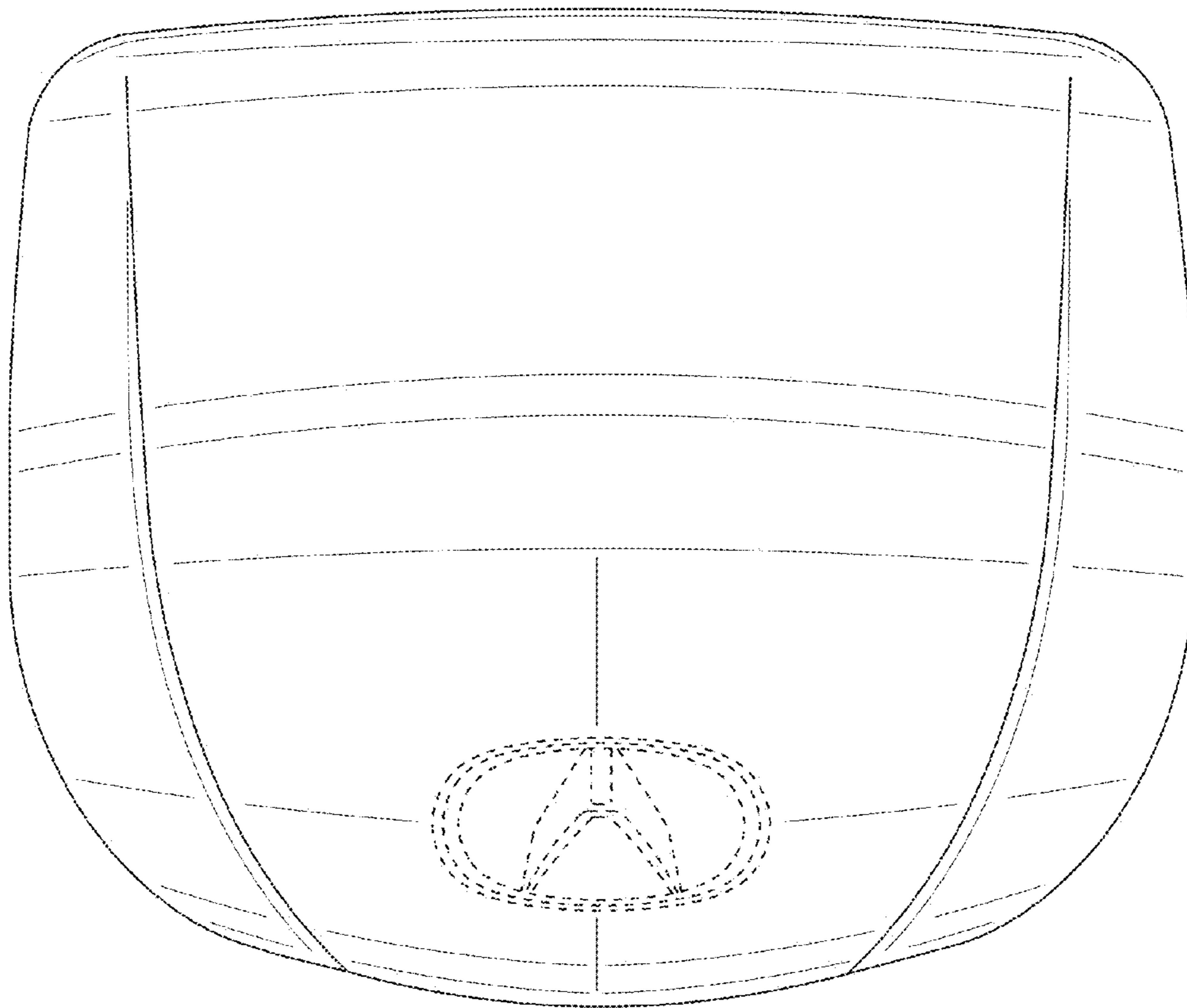


FIG. 4

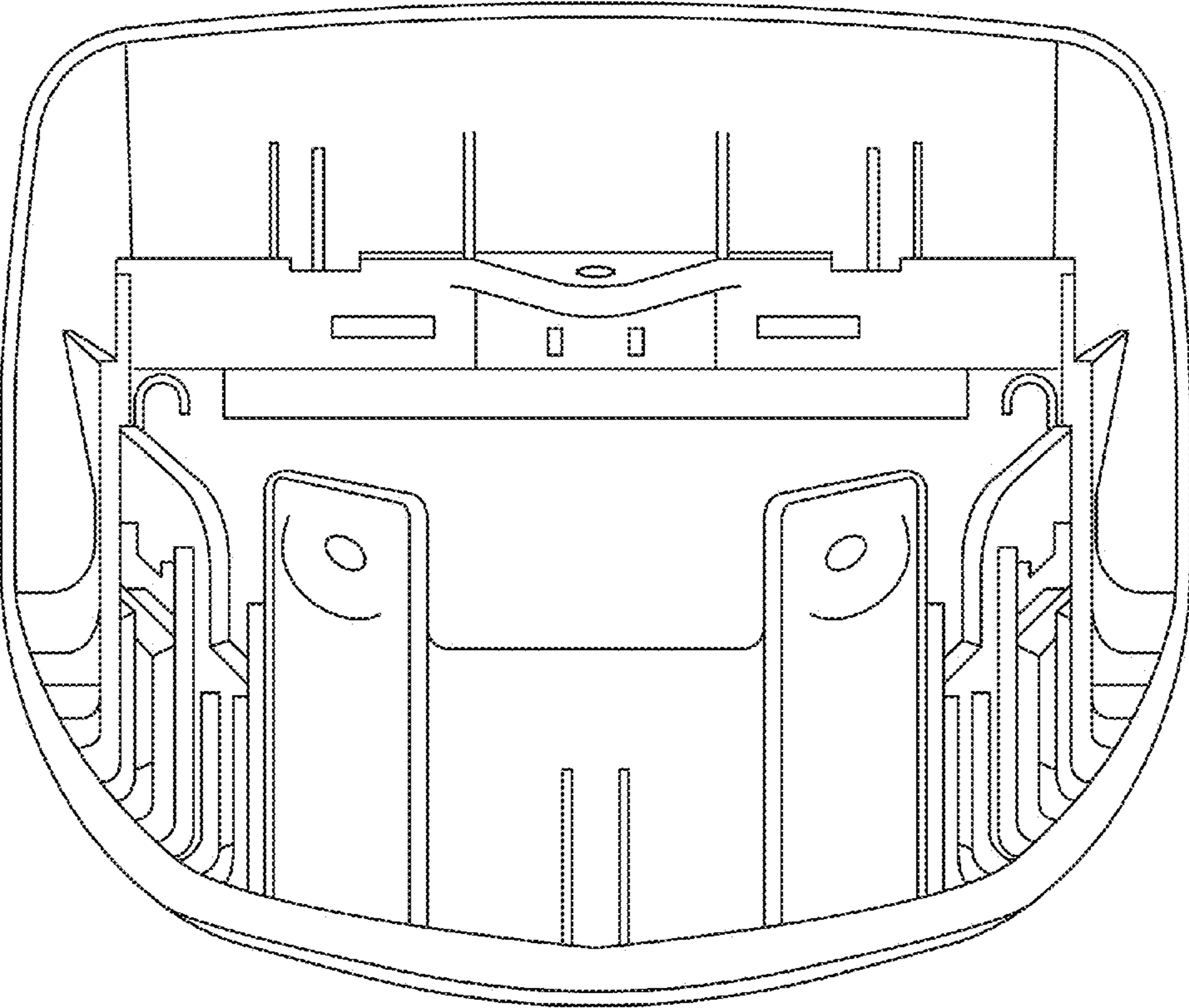


FIG. 5