

US00D720670S

(12) **United States Design Patent**  
**Maholick et al.**

(10) **Patent No.:** **US D720,670 S**  
(45) **Date of Patent:** **\*\* Jan. 6, 2015**

- (54) **MUFFLER**
- (71) Applicant: **General Electric Company,**  
Schenectady, NY (US)
- (72) Inventors: **William Maholick,** Erie, PA (US);  
**Jaime Garcia,** Lawrence Park, PA (US);  
**Miguel Hernandez,** San Luis Potosi  
(MX)
- (73) Assignee: **General Electric Company,**  
Schenectady, NY (US)
- (\*\*) Term: **14 Years**
- (21) Appl. No.: **29/466,225**
- (22) Filed: **Sep. 5, 2013**
- (51) **LOC (10) Cl.** ..... **12-16**
- (52) **U.S. Cl.**  
USPC ..... **D12/194**
- (58) **Field of Classification Search**  
CPC .... F01N 13/082; F01N 13/085; F01N 13/087  
USPC ..... D12/194; 180/89.2, 296, 309;  
181/227-228, 239-241, 264, 282,  
181/247-249; D15/5; 293/113; 29/890.08;  
60/303, 313, 323  
See application file for complete search history.

7,389,853	B2	6/2008	Ryczek et al.	
7,726,443	B2	6/2010	Miyazawa et al.	
7,762,374	B2 *	7/2010	Turner et al.	181/239
8,251,173	B2	8/2012	Drew et al.	
8,602,159	B2 *	12/2013	Harris et al.	181/256
2005/0155818	A1	7/2005	Wirtz	
2008/0118347	A1 *	5/2008	Turner et al.	415/119
2009/0013673	A1	1/2009	Mukaida	
2009/0065296	A1	3/2009	Chang et al.	
2010/0011752	A1	1/2010	Edholm	
2013/0168183	A1 *	7/2013	Harris et al.	181/256

**OTHER PUBLICATIONS**

Maholick, et al.; U.S. Appl. No. 29/418,279, filed Apr. 13, 2012  
entitled "Muffler".

\* cited by examiner

*Primary Examiner* — Michael A Pratt

(74) *Attorney, Agent, or Firm* — GE Global Patent  
Operation; John A. Kramer

(57) **CLAIM**

The ornamental design for a muffler, as shown and described.

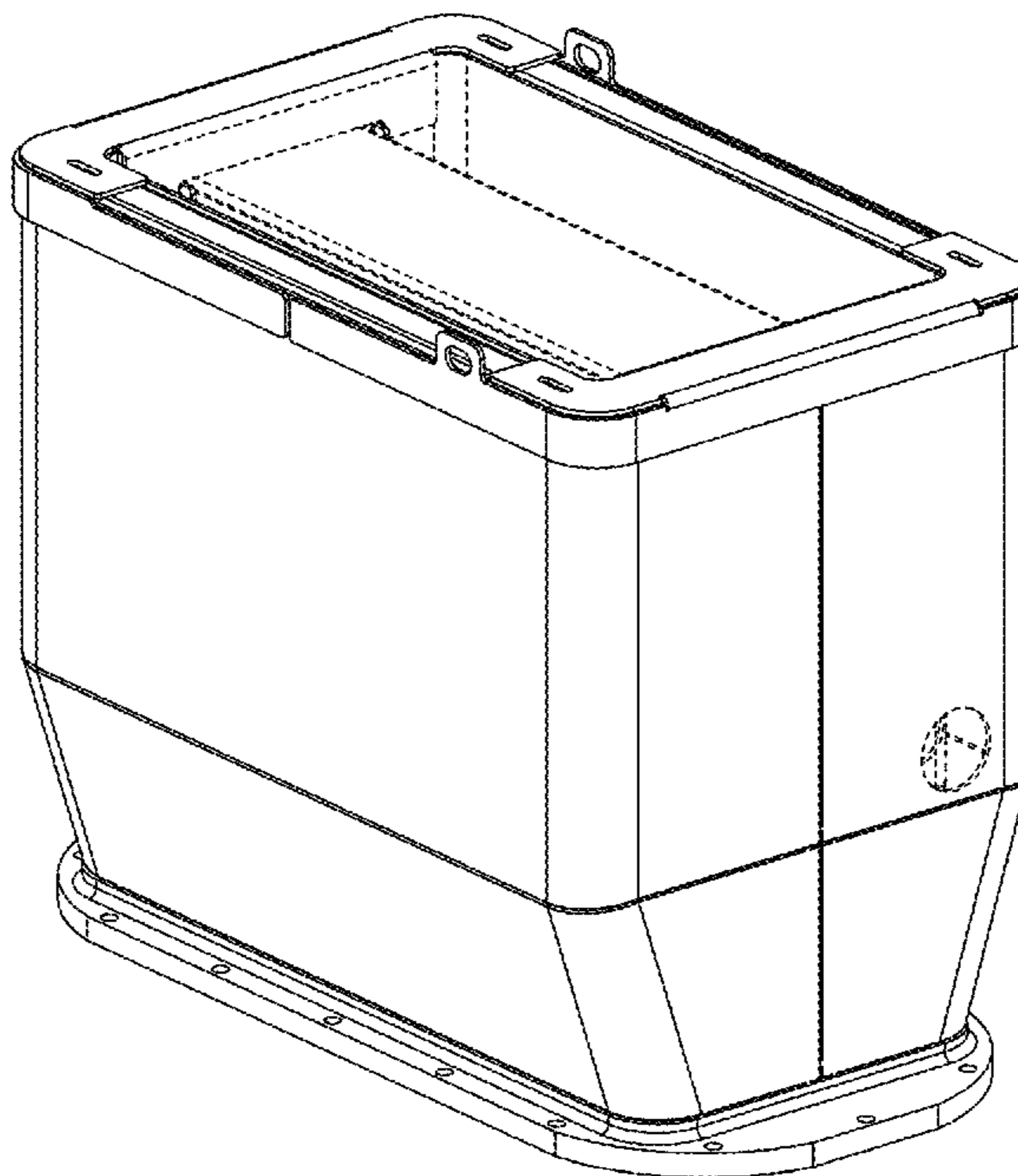
**DESCRIPTION**

FIG. 1 is front, top, right-hand side perspective view of a  
muffler comprising a new, original and ornamental design;  
FIG. 2 is a front view thereof;  
FIG. 3 is a right-hand side view thereof;  
FIG. 4 is a left-hand side view thereof;  
FIG. 5 is a top view thereof;  
FIG. 6 is a bottom view thereof; and,  
FIG. 7 is a rear view thereof.

The broken lines in FIGS. 1, 3, 5, and 6 are for illustrative  
purposes only and form no part of the claimed design.

**1 Claim, 4 Drawing Sheets**

- (56) **References Cited**  
U.S. PATENT DOCUMENTS  
6,837,335 B2 1/2005 Jankowski  
D531,642 S 11/2006 Maeda et al.  
7,181,926 B2 2/2007 Bhatia et al.  
7,316,291 B2 1/2008 Thomsen et al.  
7,325,474 B2 2/2008 Yoshimura et al.



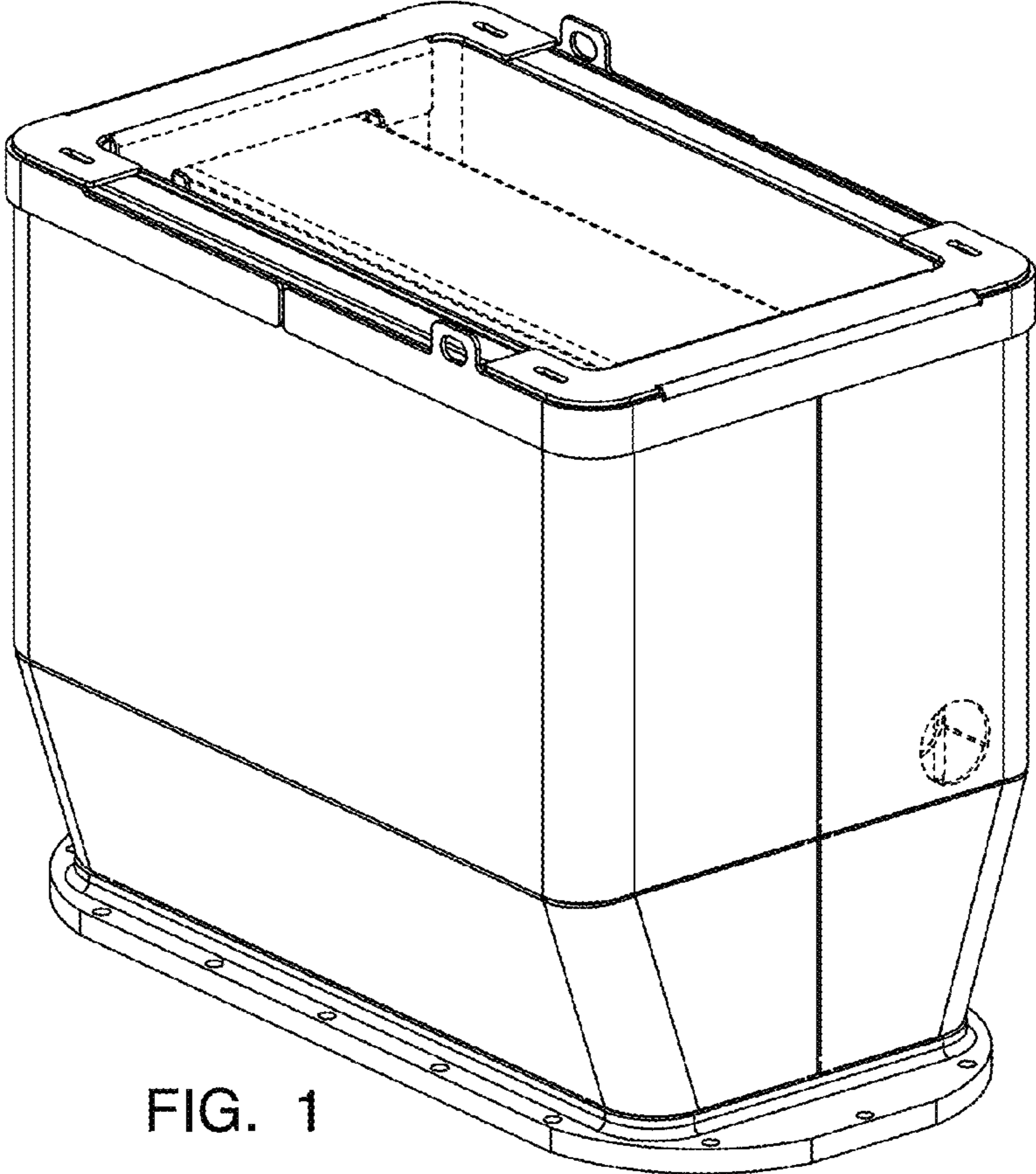


FIG. 1

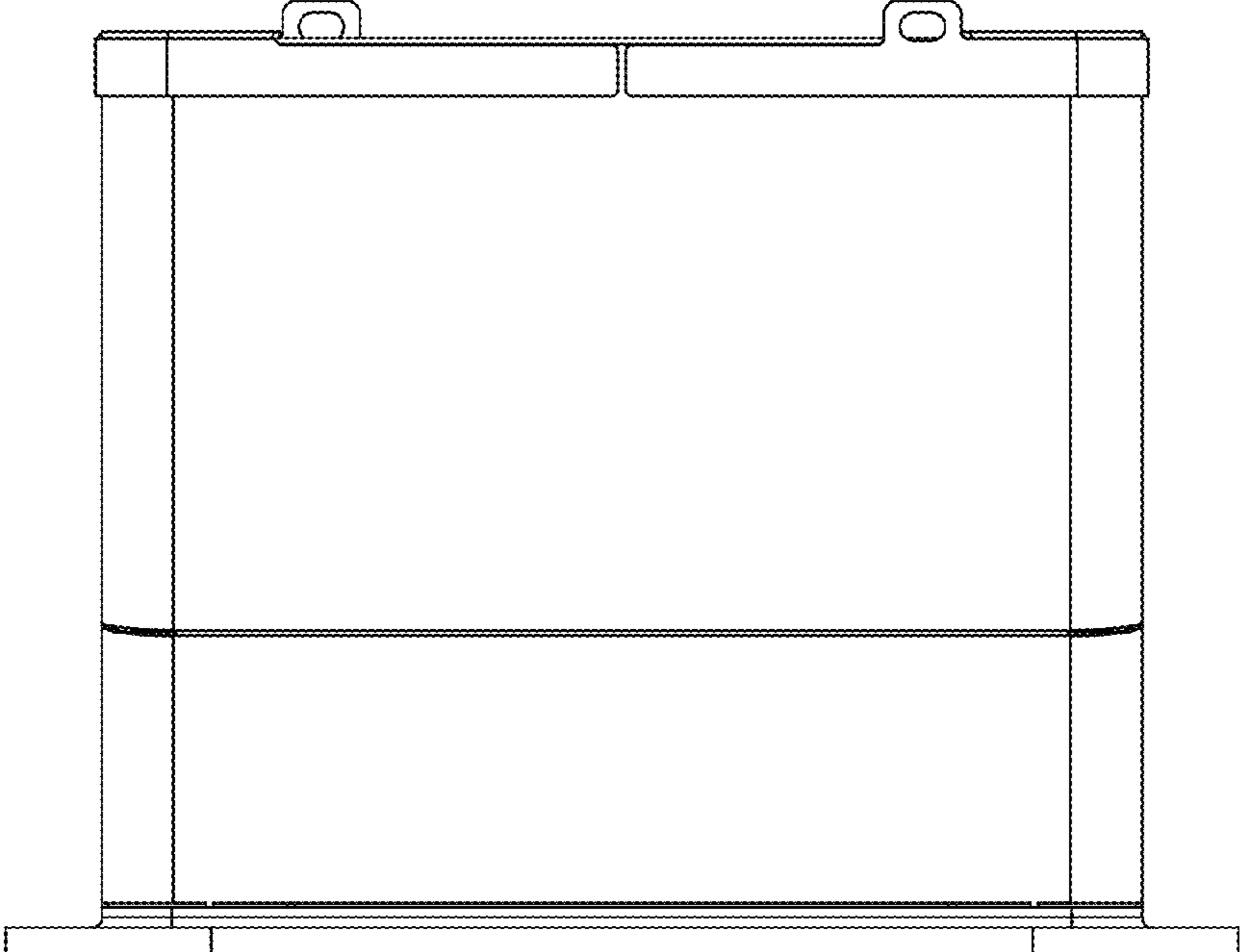


FIG. 2

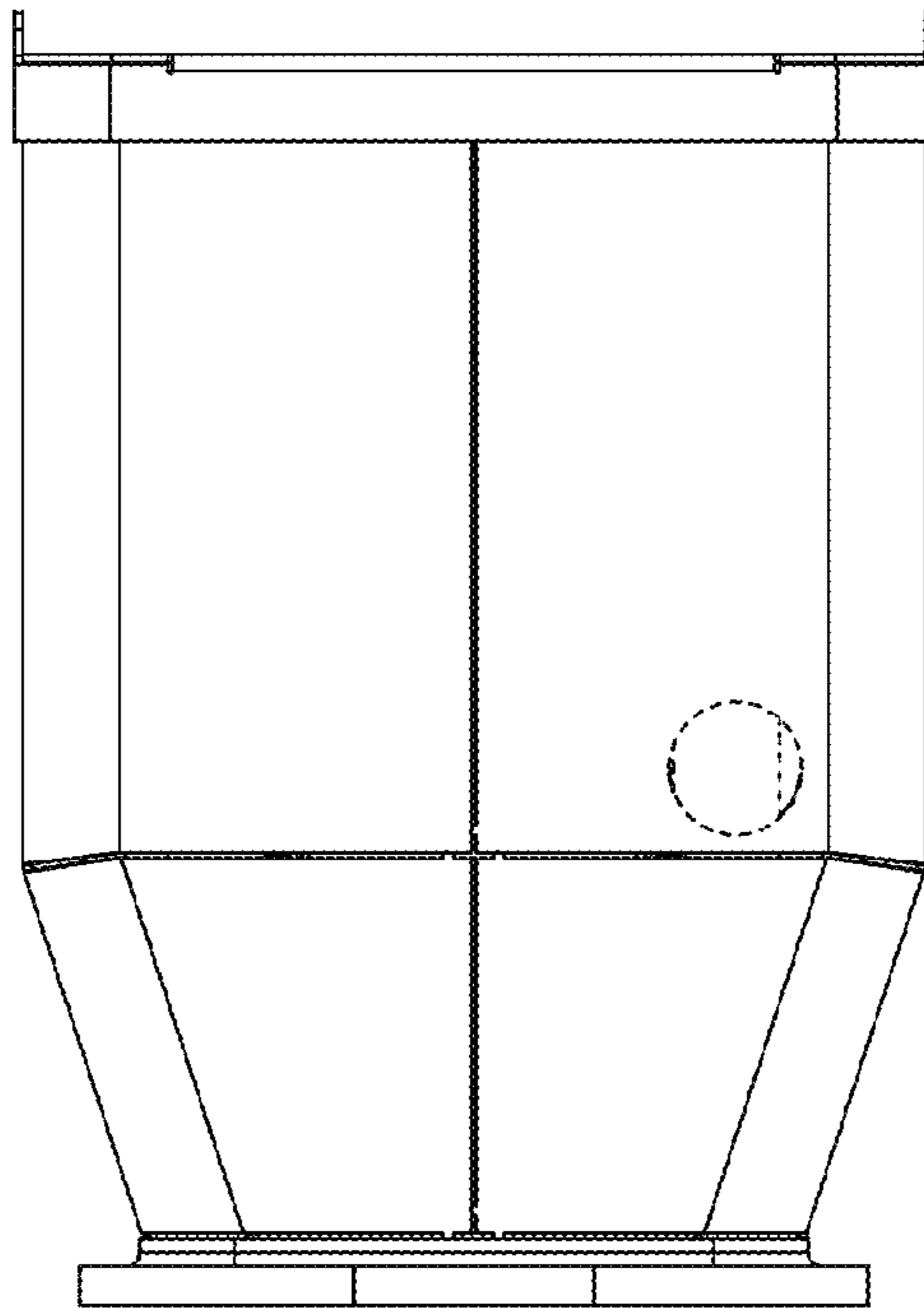


FIG. 3

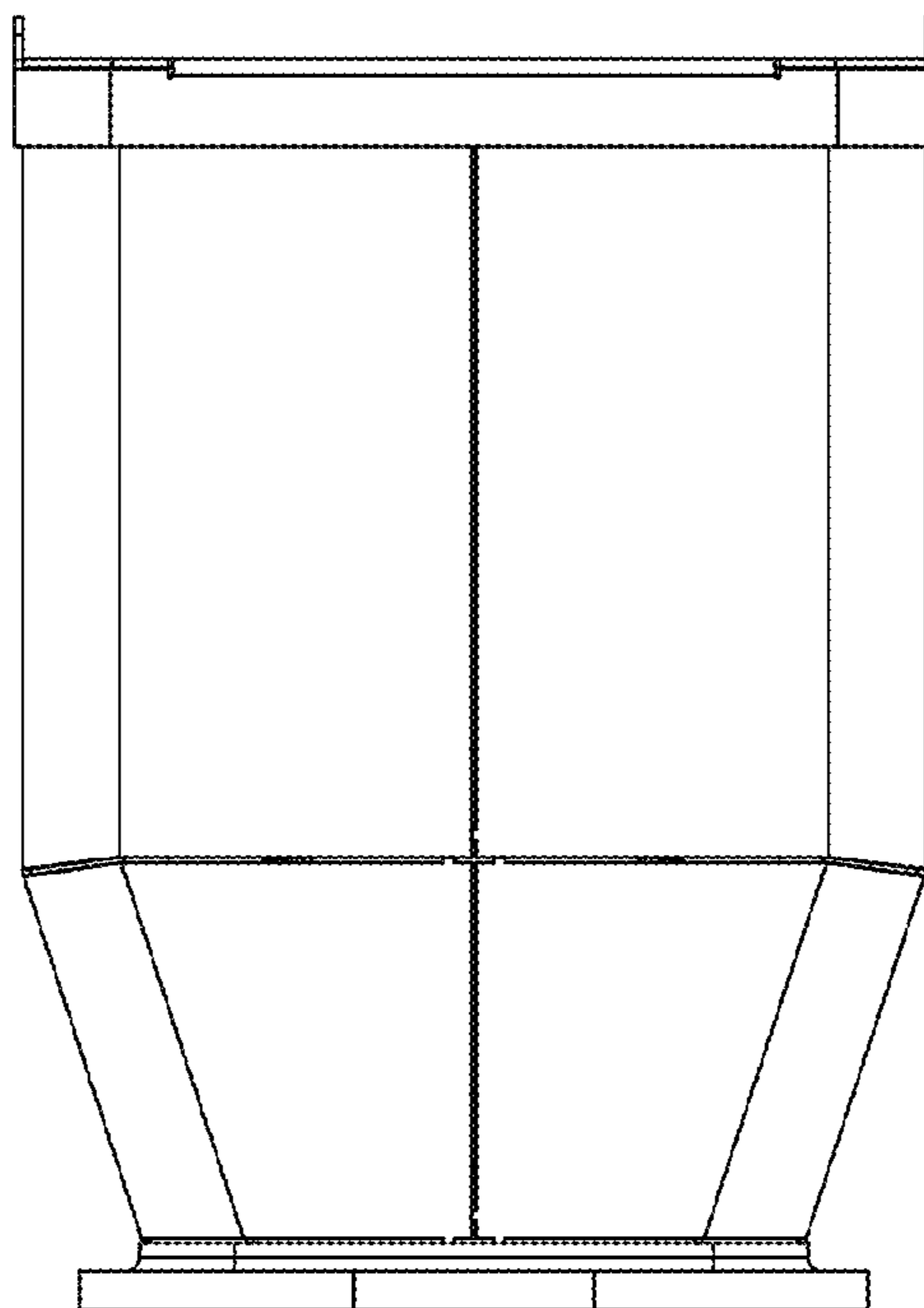


FIG. 4

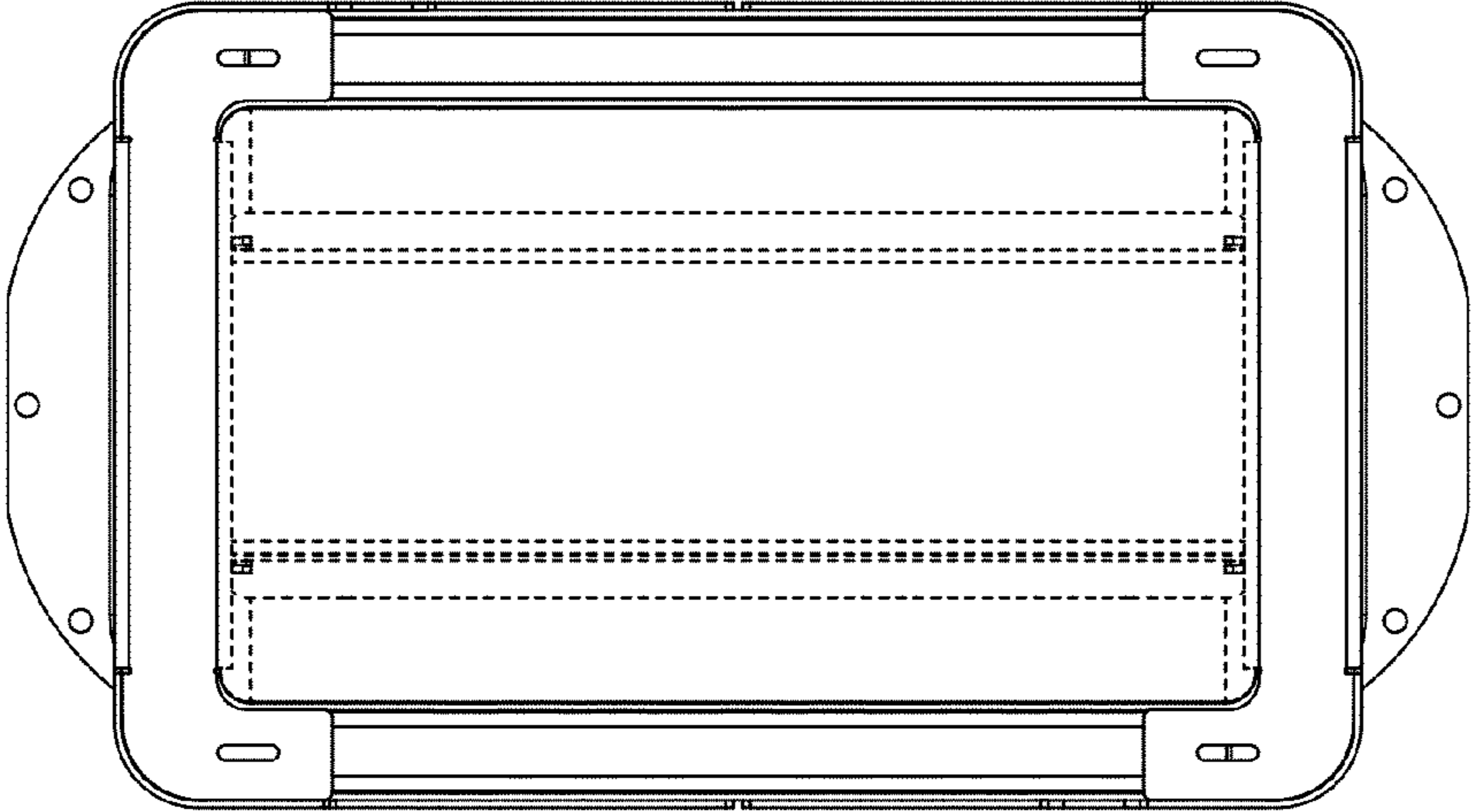


FIG. 5

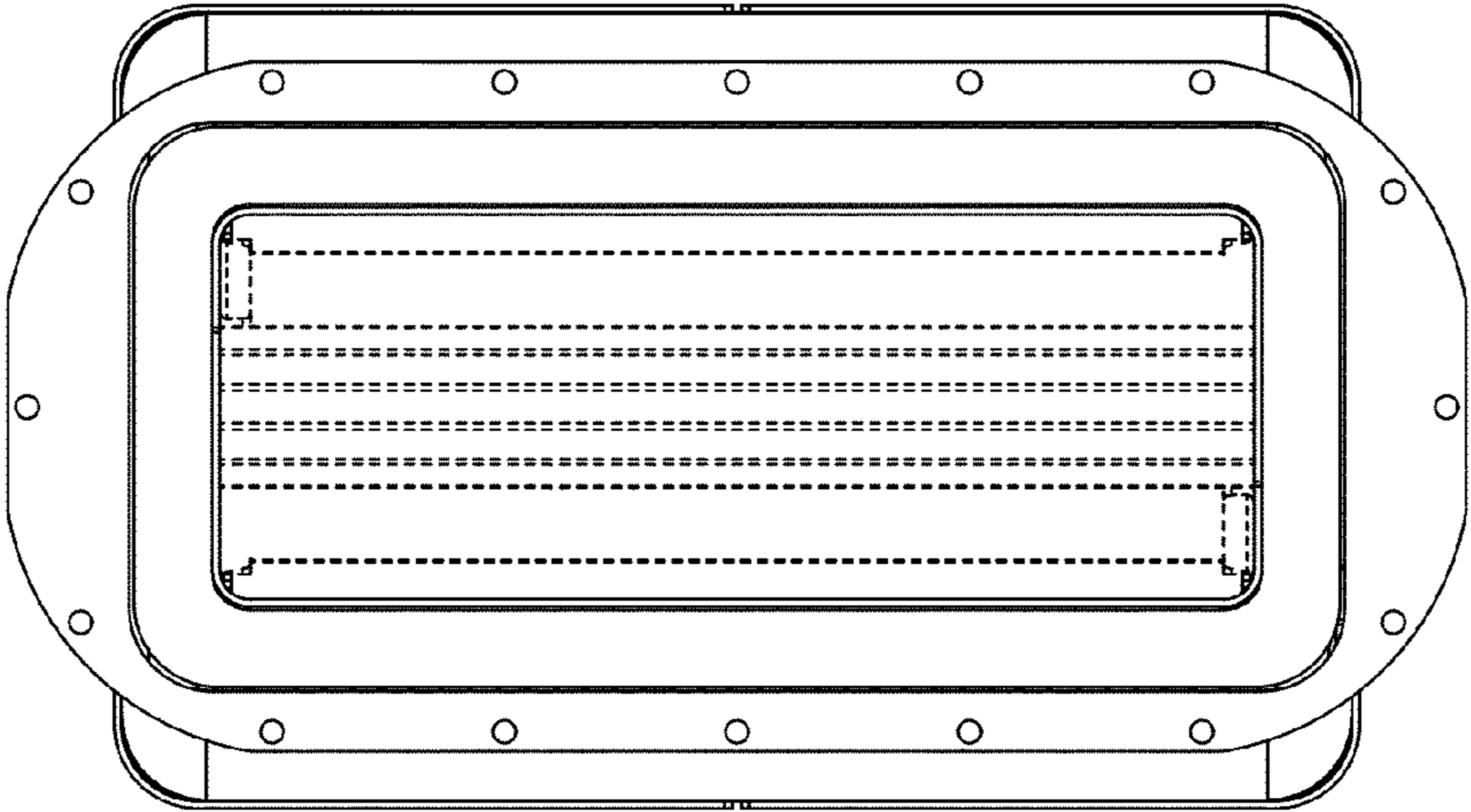


FIG. 6

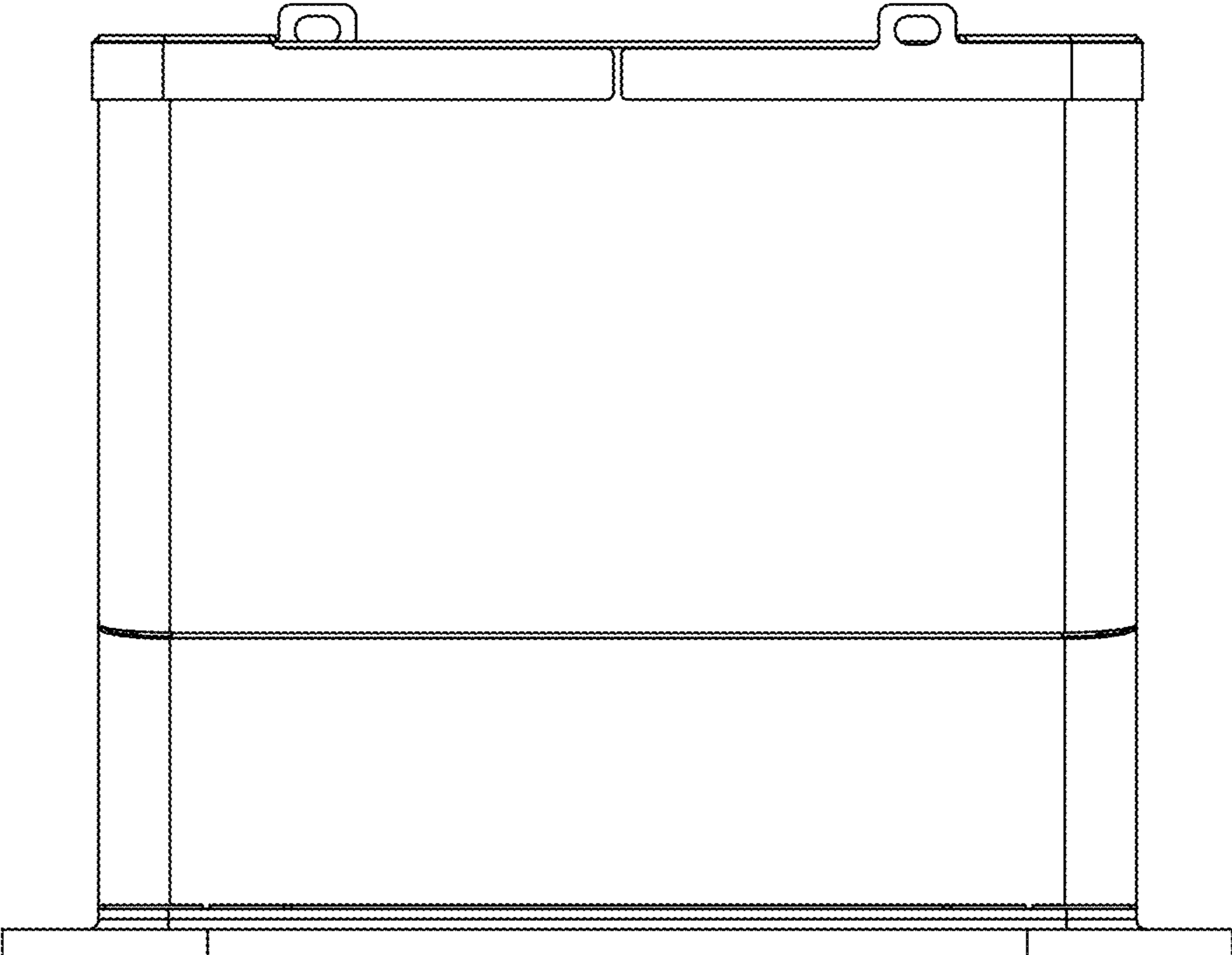


FIG. 7