



US00D720669S

(12) **United States Design Patent**
Hammoud et al.

(10) **Patent No.:** **US D720,669 S**

(45) **Date of Patent:** **** Jan. 6, 2015**

(54) **VEHICLE SIDE MIRROR**
(71) Applicants: **Mohamad J Hammoud**, Lake Orion,
MI (US); **Mark D Hall**, Rochester Hills,
MI (US); **Brandon L Faurote**,
Rochester, MI (US)

(72) Inventors: **Mohamad J Hammoud**, Lake Orion,
MI (US); **Mark D Hall**, Rochester Hills,
MI (US); **Brandon L Faurote**,
Rochester, MI (US)

(73) Assignee: **Chrysler Group LLC**, Auburn Hills, MI
(US)

(**) Term: **14 Years**

(21) Appl. No.: **29/493,943**

(22) Filed: **Jun. 16, 2014**

Related U.S. Application Data

(63) Continuation-in-part of application No. 29/476,470,
filed on Dec. 13, 2013.

(51) **LOC (10) Cl.** **12-16**

(52) **U.S. Cl.**
USPC **D12/187**

(58) **Field of Classification Search**
USPC D12/187, 188-189; D6/300, 309;
359/838, 841-844, 868, 871, 866;
248/479-483, 475.1
See application file for complete search history.

(56) **References Cited**

U.S. PATENT DOCUMENTS

D519,071 S * 4/2006 Moruzzi D12/187
D609,151 S * 2/2010 Kouchi et al. D12/187

D623,674 S * 9/2010 Wei et al. D16/101
D636,311 S * 4/2011 Faghihzadeh D12/187
D715,711 S * 10/2014 Blanski et al. D12/187
D716,206 S * 10/2014 Thole et al. D12/187
D716,207 S * 10/2014 Callum et al. D12/187
2006/0250423 A1 * 11/2006 Kettle et al. 345/692
2009/0015955 A1 * 1/2009 Muller 359/871

* cited by examiner

Primary Examiner — Katrina A Betton

(74) *Attorney, Agent, or Firm* — Ralph E Smith

(57) **CLAIM**

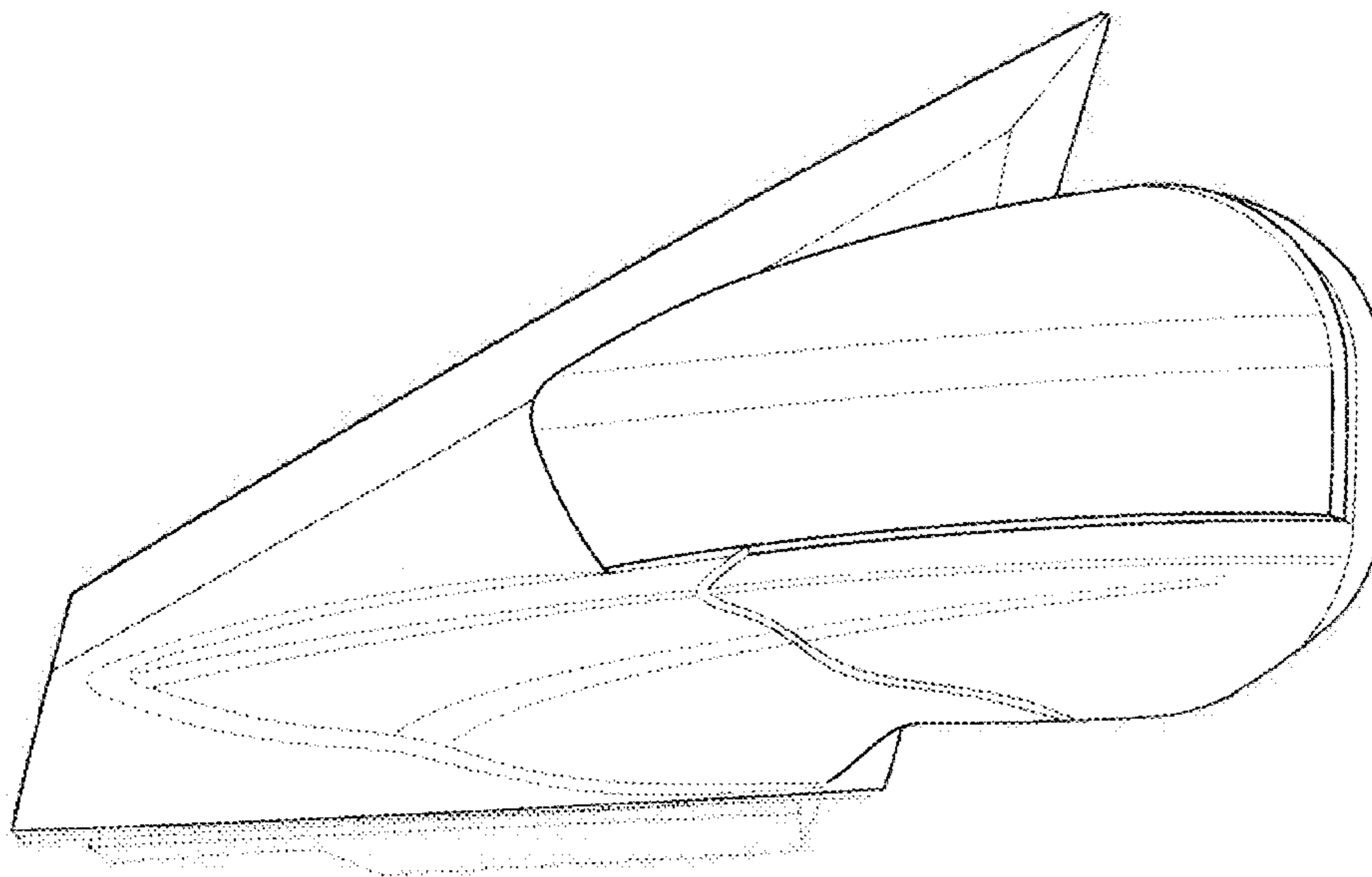
The ornamental design for a vehicle side mirror, as shown and described.

DESCRIPTION

FIG. 1 is an outer perspective view of driver side vehicle side mirror showing our new design;
FIG. 2 is a side view thereof;
FIG. 3 is a rear view thereof;
FIG. 4 is a front view thereof;
FIG. 5 is a top view thereof;
FIG. 6 is a bottom view thereof;
FIG. 7 is an outer perspective view of a passenger side thereof;
FIG. 8 is a side view thereof;
FIG. 9 is a rear view thereof;
FIG. 10 is a front view thereof;
FIG. 11 is a top view thereof; and,
FIG. 12 is a bottom view.

It will be understood that the broken lines shown in the drawings illustrate portions of the vehicle side mirror that form no part of claimed design.

1 Claim, 12 Drawing Sheets



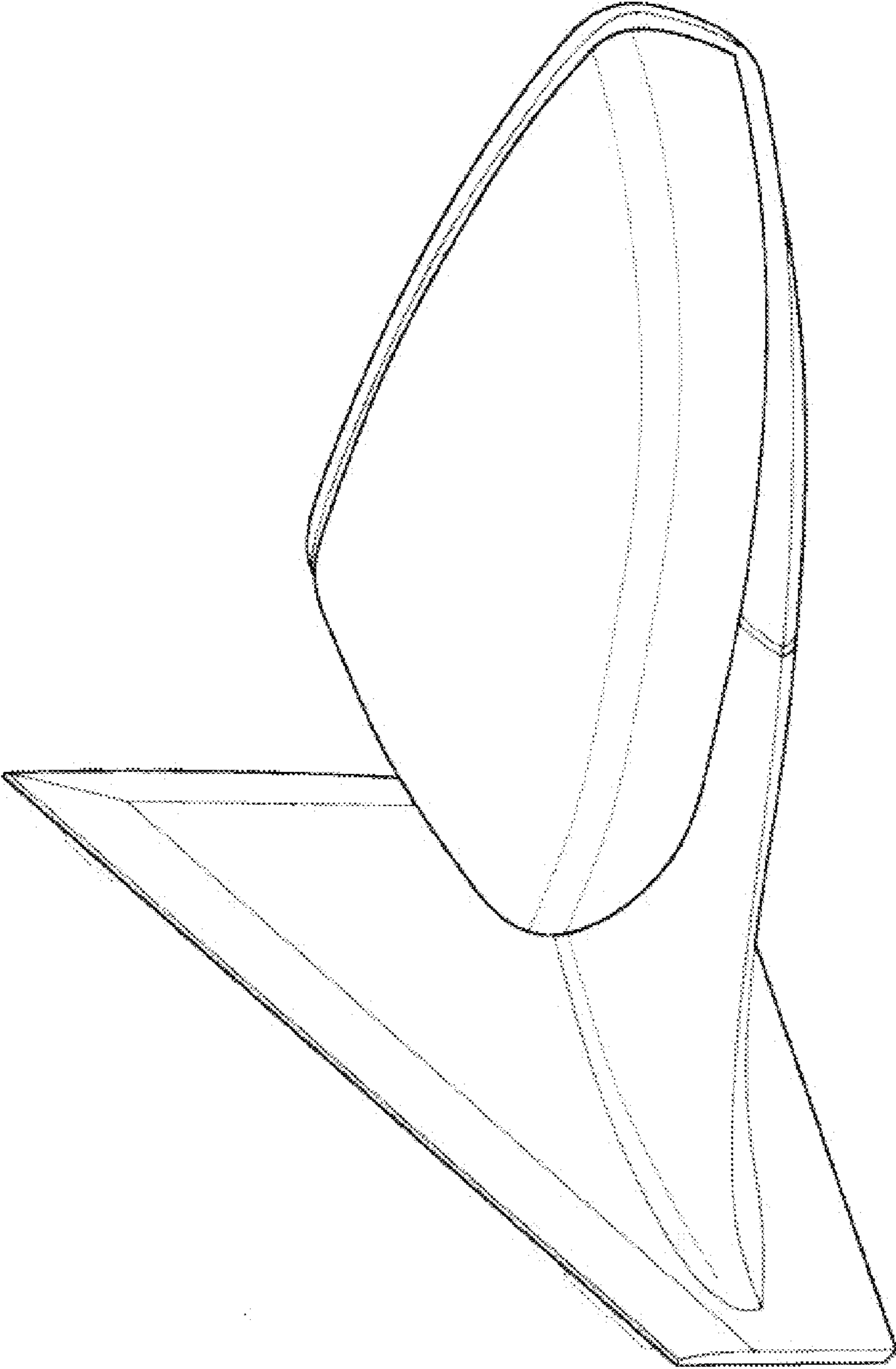


FIG. 1

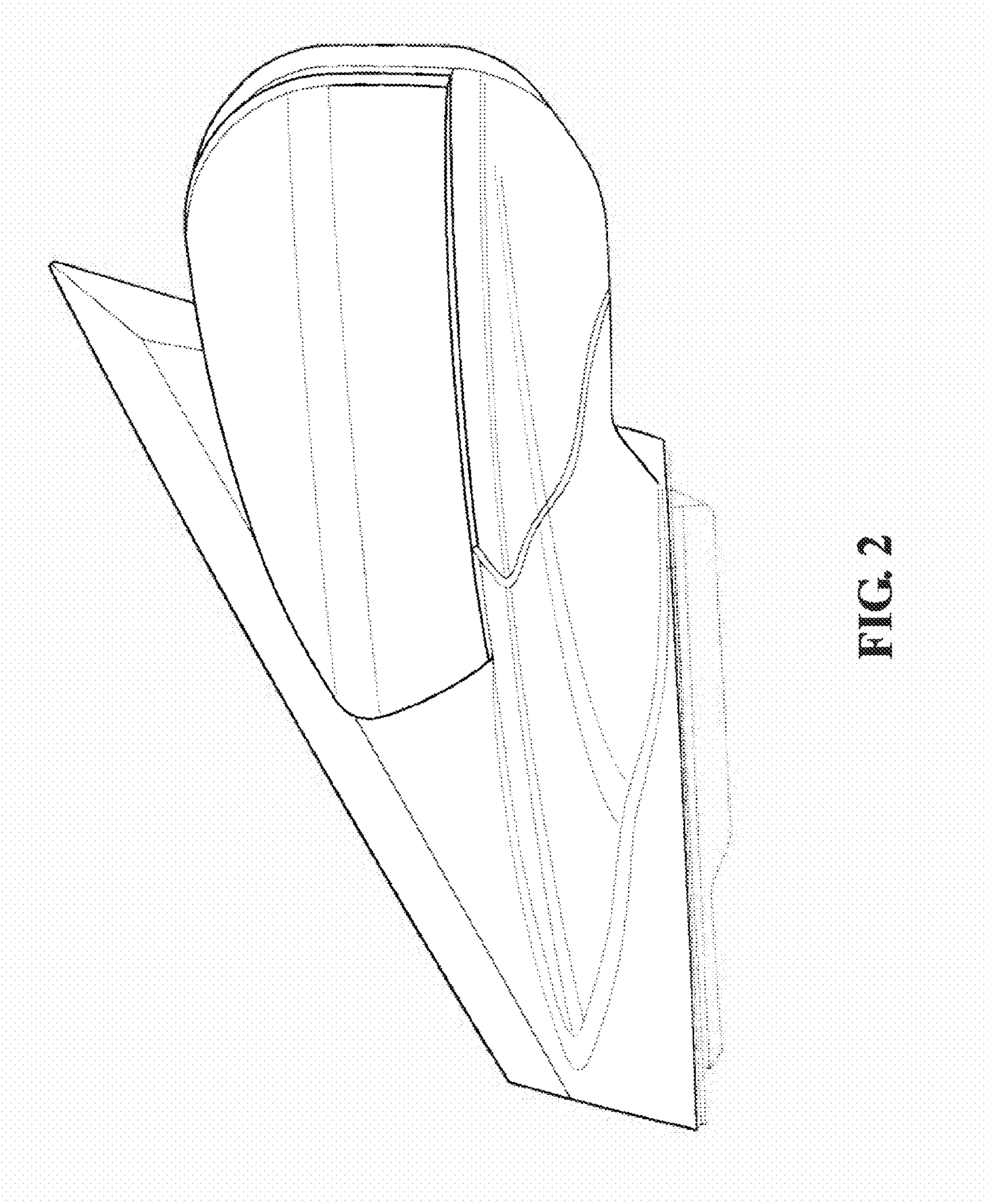


FIG. 2

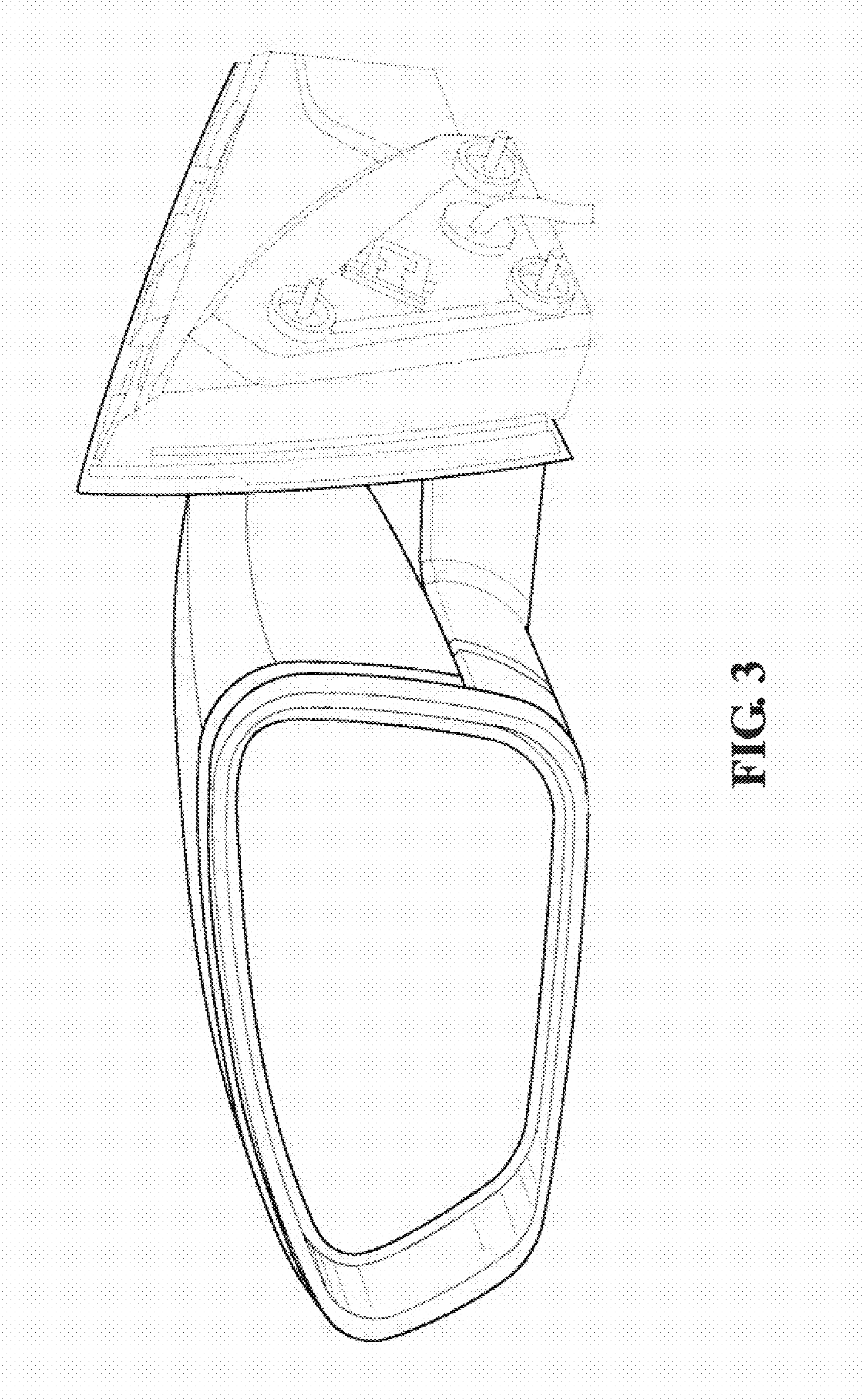


FIG. 3

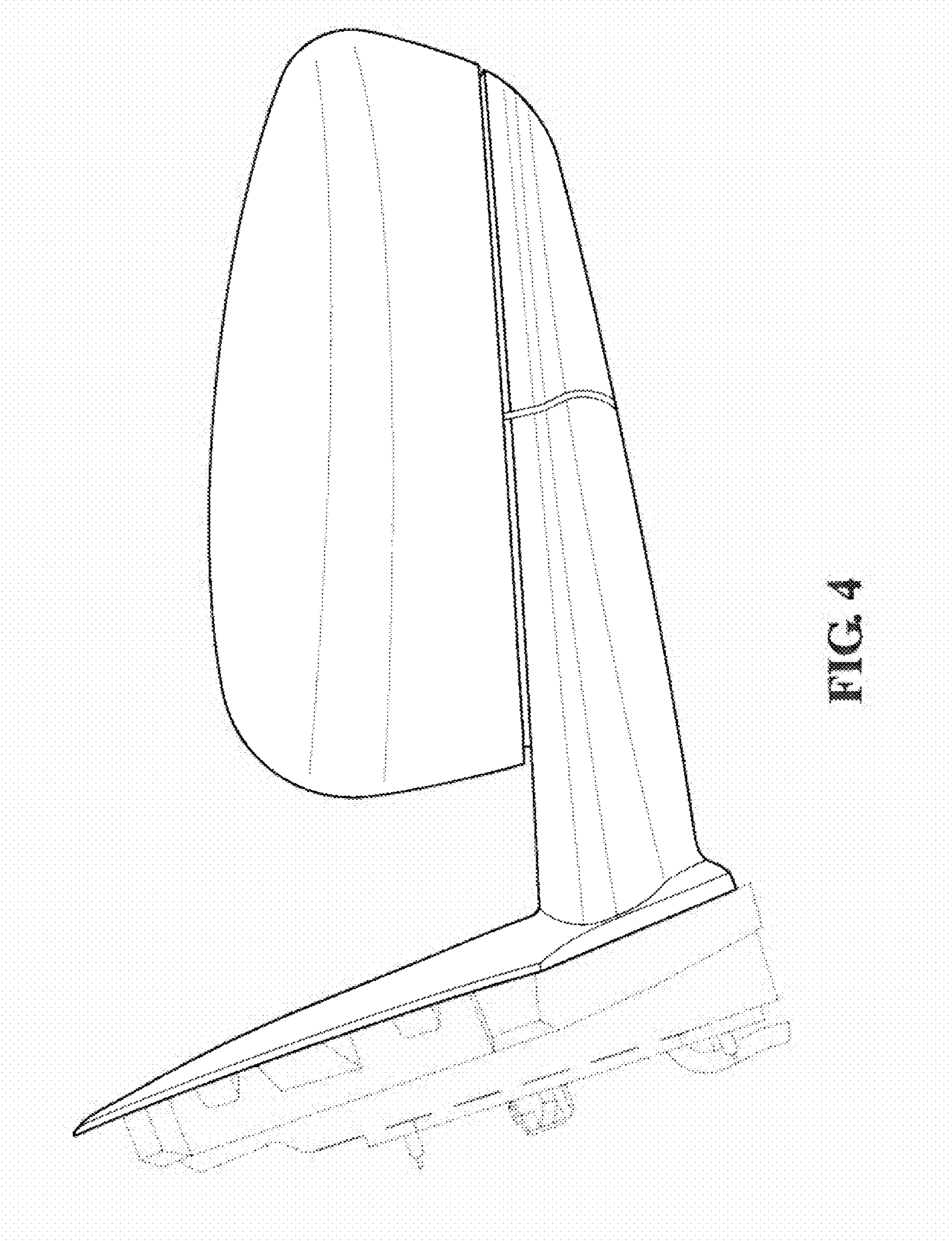


FIG. 4

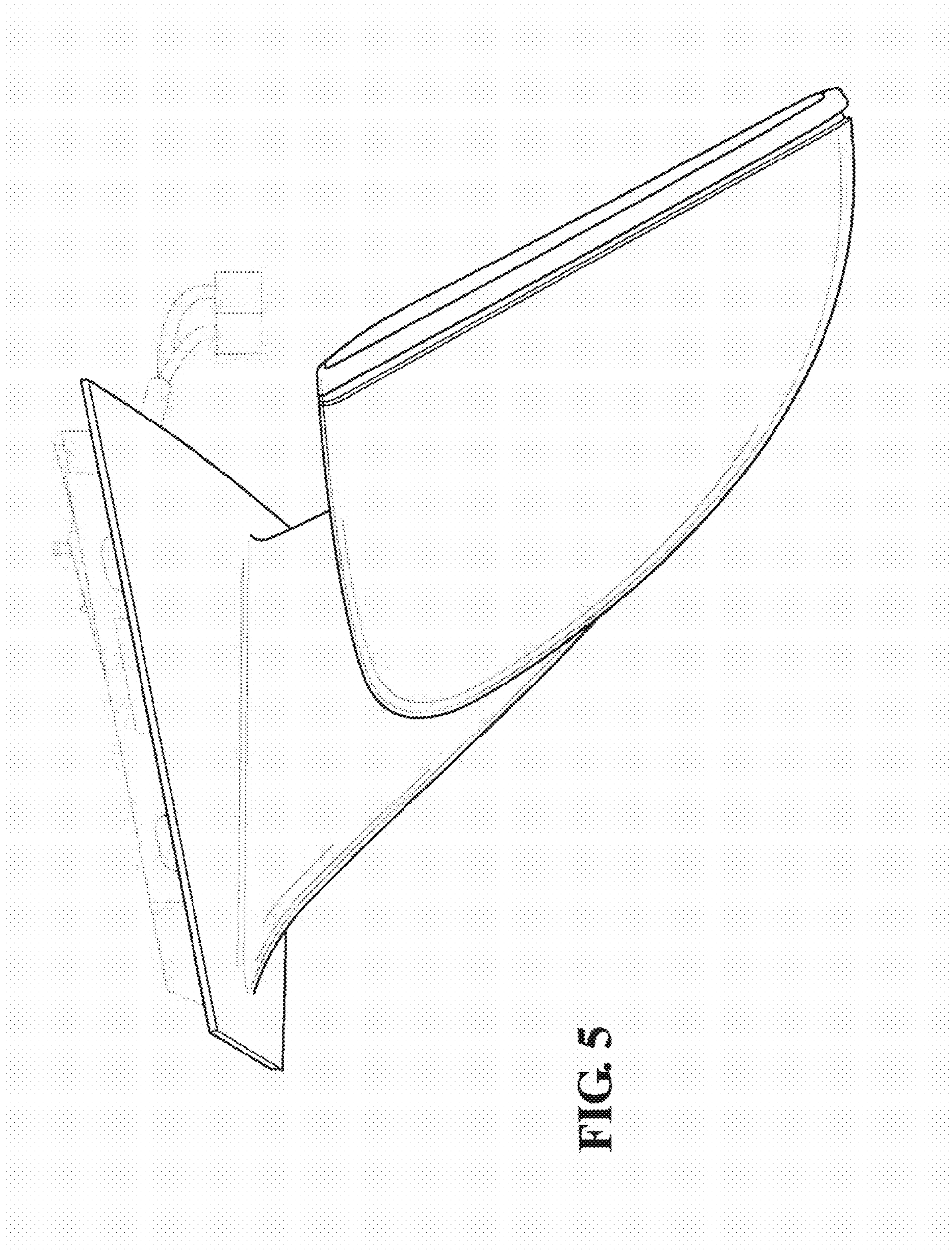


FIG. 5

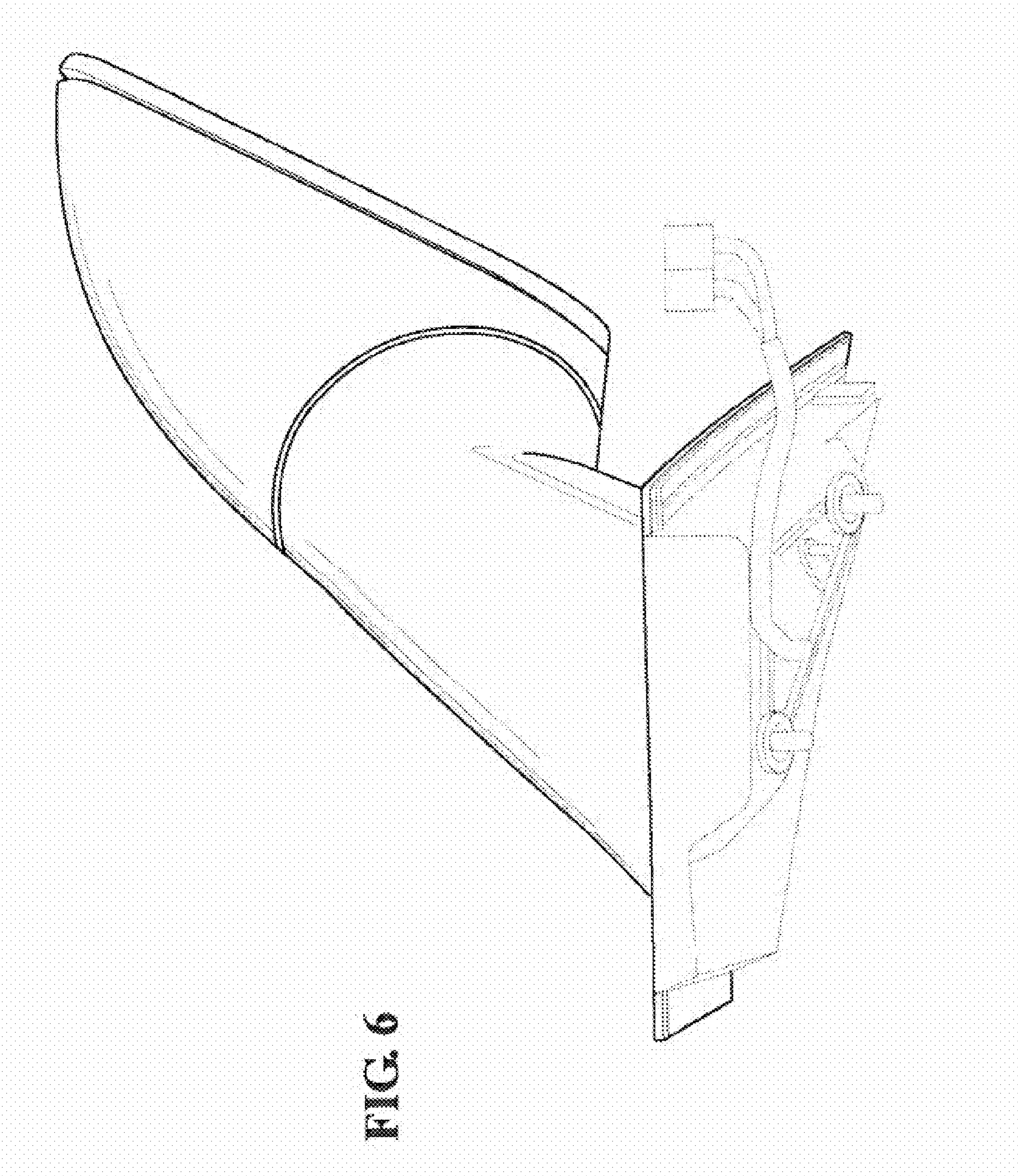


FIG. 6

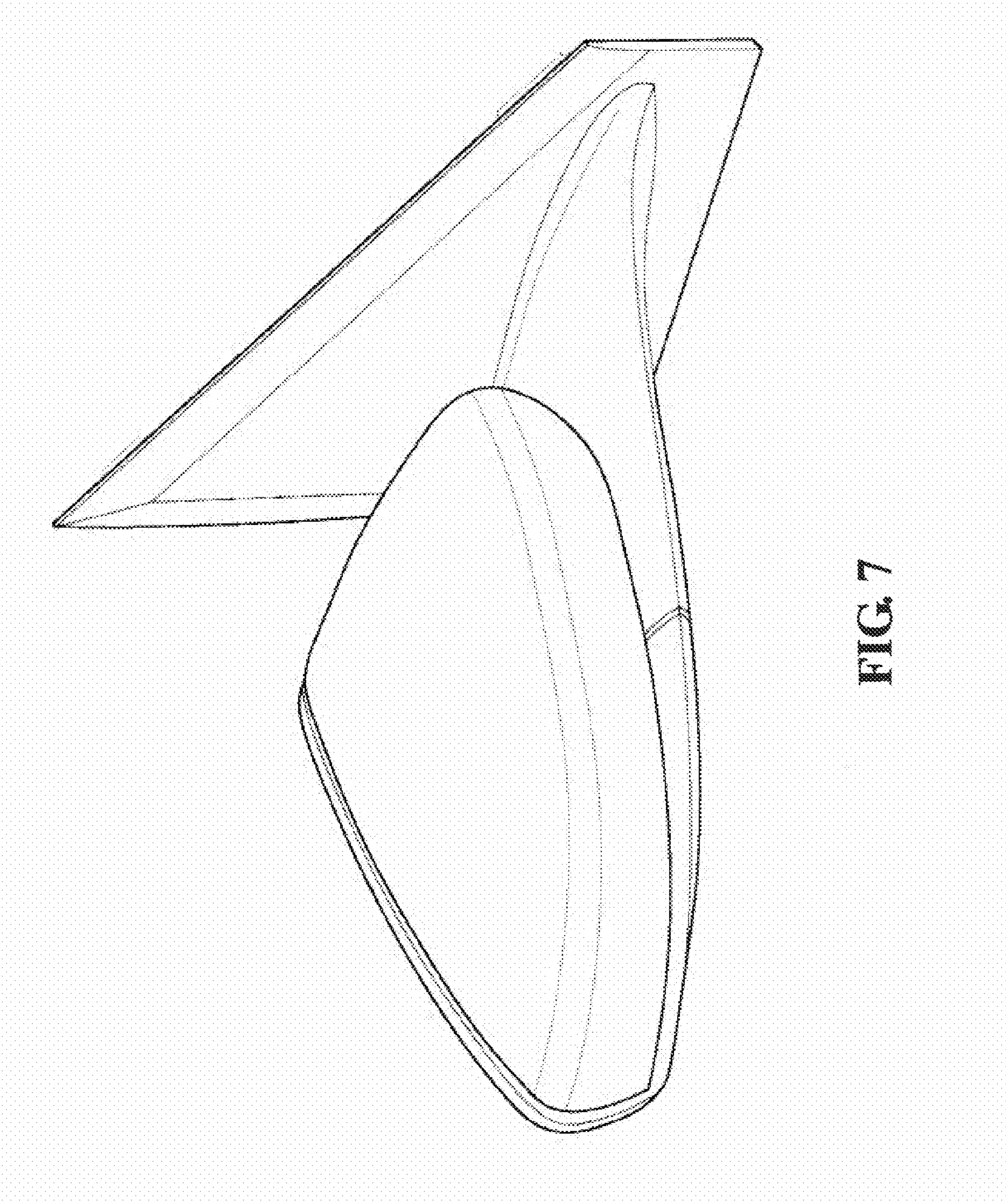


FIG. 7

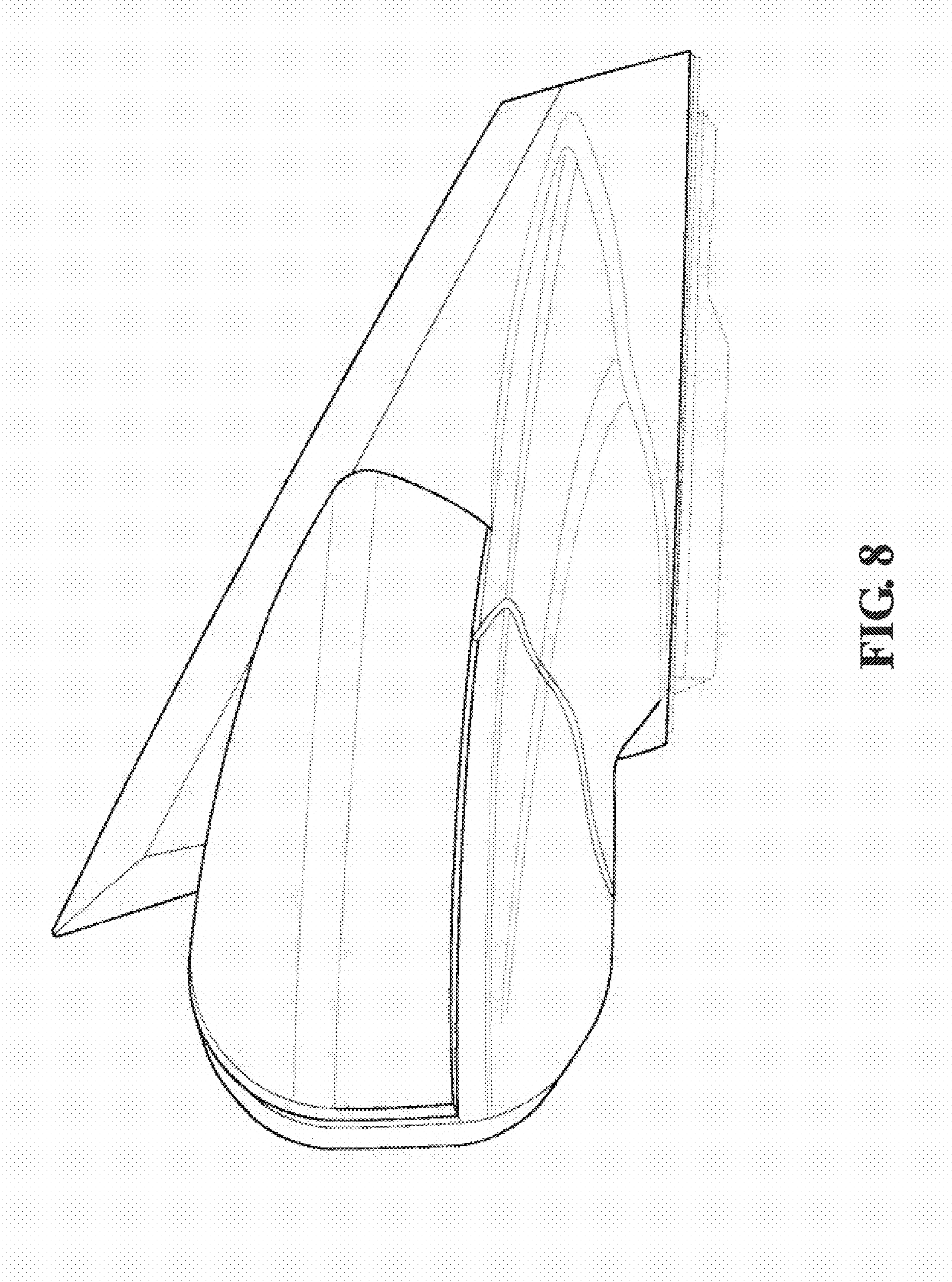


FIG. 8

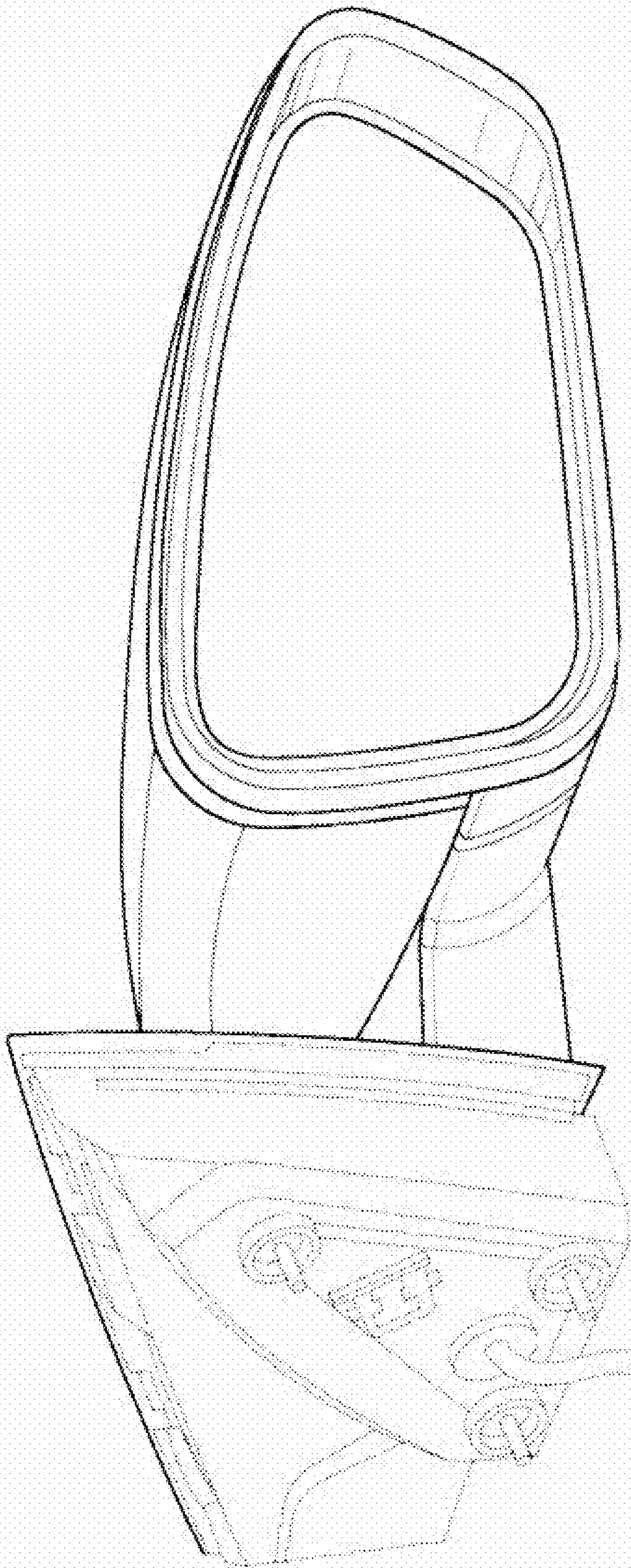


FIG. 9

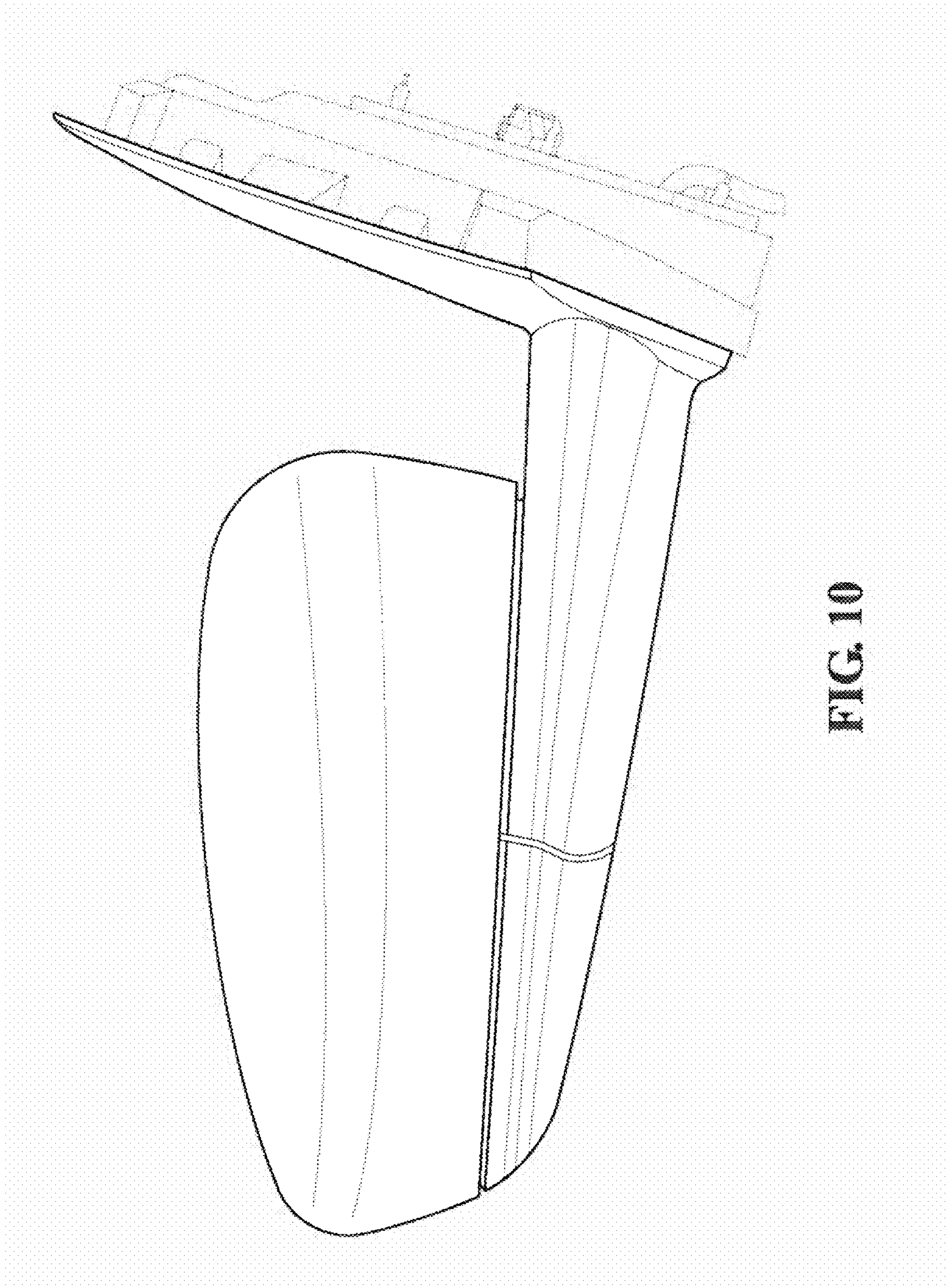


FIG. 10

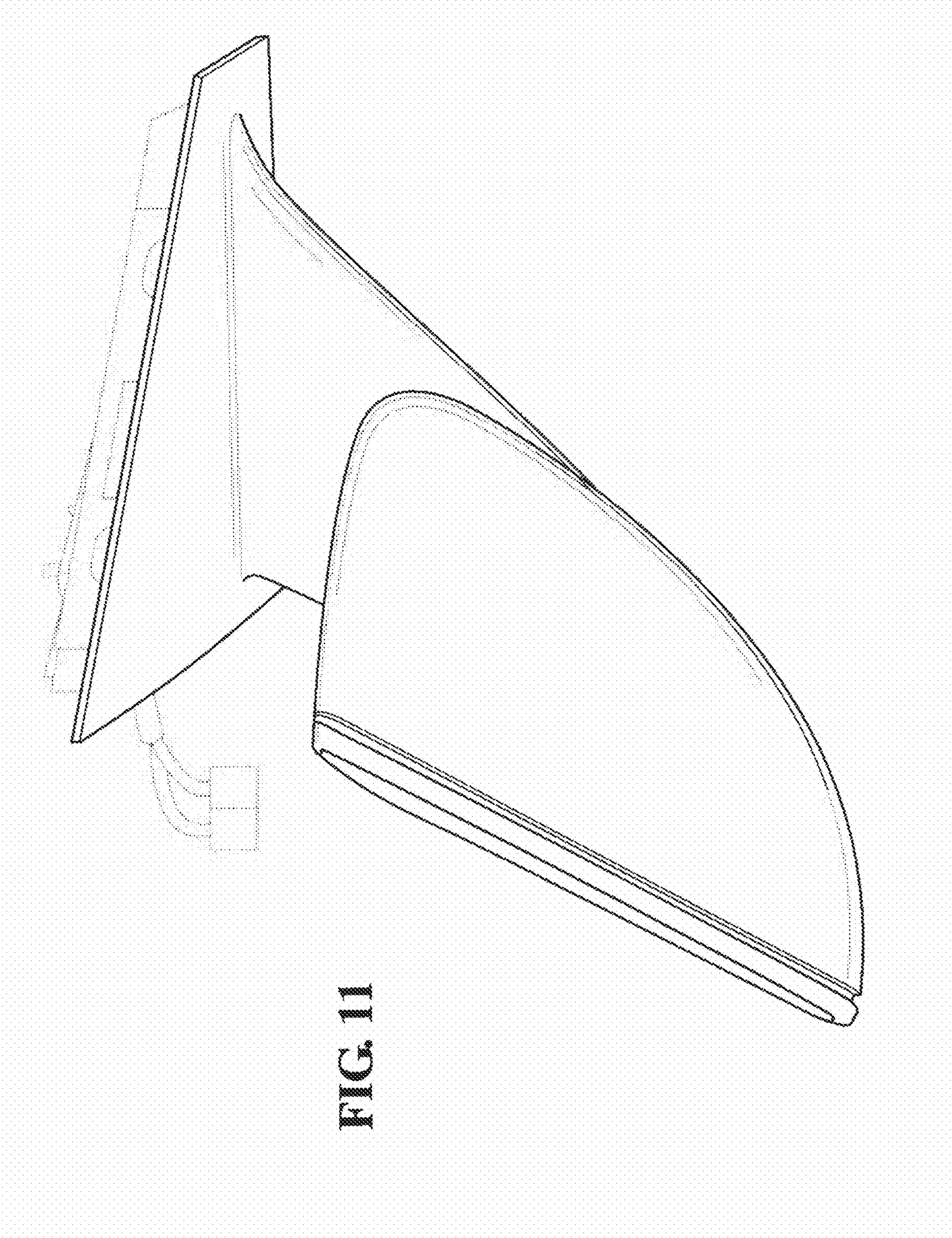


FIG. 11

