



US00D720666S

(12) **United States Design Patent**
Farmer et al.

(10) **Patent No.:** **US D720,666 S**
(45) **Date of Patent:** **** Jan. 6, 2015**

- (54) **HANDLE FOR A BUGGY**
- (71) Applicant: **Armon Limited**, Geneva (CH)
- (72) Inventors: **Edmund Farmer**, Seymour, CT (US);
Lee Griswold, Bethel, CT (US)
- (73) Assignee: **Armon Limited**, Geneva (CH)
- (**) Term: **14 Years**
- (21) Appl. No.: **29/473,176**
- (22) Filed: **Nov. 19, 2013**
- (51) **LOC (10) Cl.** **12-12**
- (52) **U.S. Cl.**
USPC **D12/133**
- (58) **Field of Classification Search**
USPC D12/128-133, 114, 115, 119; 280/62,
280/647-650, 29, 200, 47.38, 250.1, 259,
280/642, 658; 296/65.03, 65.04; D34/27;
135/65-67, 74, 96; D21/686, 687, 688,
D21/663; D8/300, 303, 307, 331, 333, 349,
D8/367, 382, 394, 395
See application file for complete search history.

- D463,330 S * 9/2002 Yang et al. D12/129
- D510,060 S * 9/2005 Starck D12/129
- D573,921 S * 7/2008 Guzman et al. D12/133
- D589,850 S * 4/2009 Stopp D12/129
- D615,004 S * 5/2010 Ohnishi D12/129
- D623,096 S * 9/2010 Gower et al. D12/129
- D648,248 S * 11/2011 Braaten D12/133
- D670,210 S * 11/2012 Li D12/129

* cited by examiner

Primary Examiner — Ian Simmons

Assistant Examiner — Charles Hanson

(74) *Attorney, Agent, or Firm* — Howard & Howard
Attorneys PLLC

(57) **CLAIM**

We claim the ornamental design for a handle for a buggy, as shown and described.

DESCRIPTION

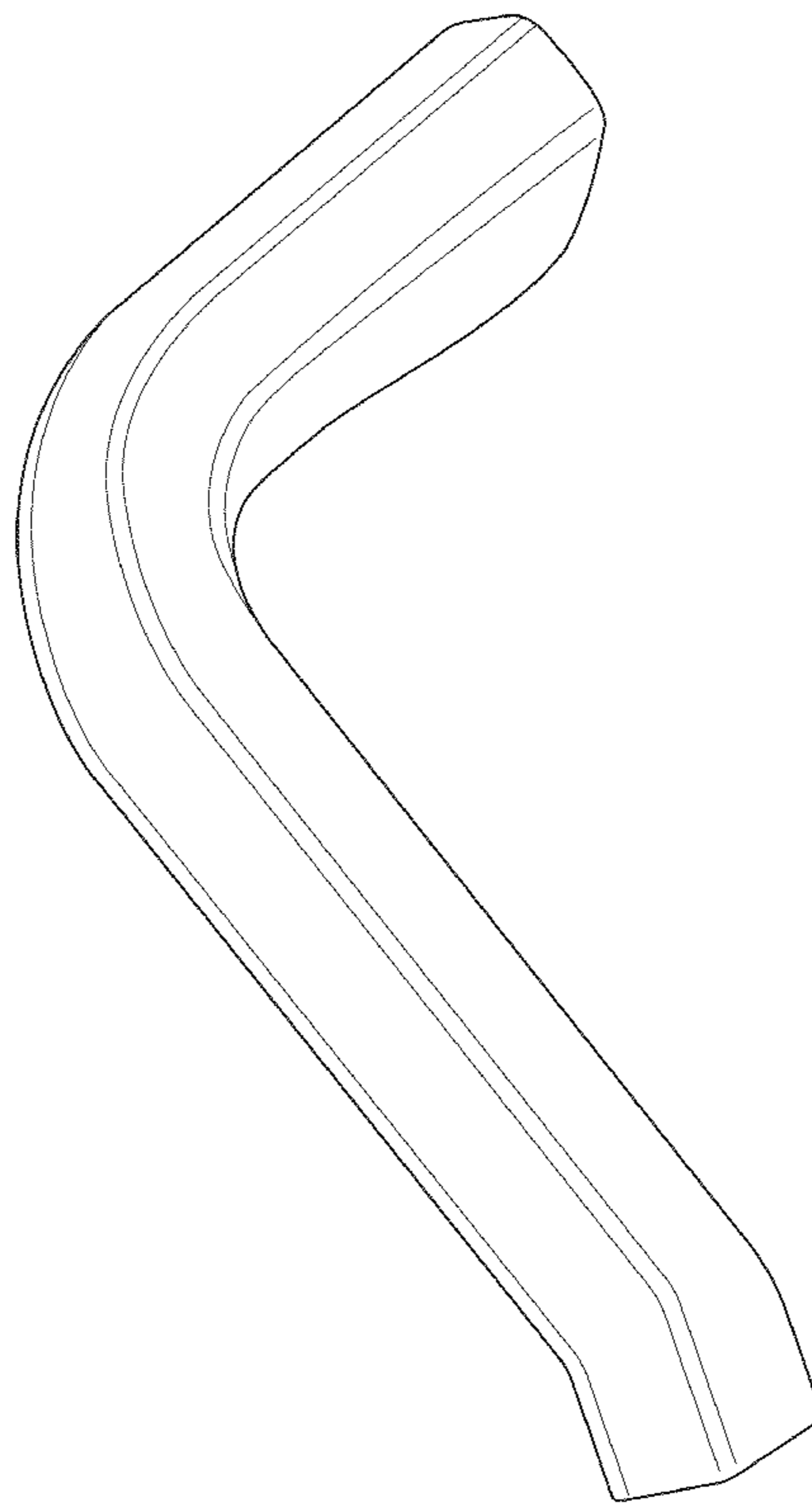
FIG. 1 is a perspective view of the new design of a handle for use in buggy;
 FIG. 2 is a front view of the new design of the handle;
 FIG. 3 is a left side elevation view of the handle;
 FIG. 4 is a rear view of the handle;
 FIG. 5 is a right view of the handle;
 FIG. 6 is a top view of the handle;
 FIG. 7 is a bottom view of the handle; and,
 FIG. 8 is a second perspective view of the handle.
 The broken lines shown in the figures are for illustrative purposes only and form no part of the claimed design.

1 Claim, 7 Drawing Sheets

(56) **References Cited**

U.S. PATENT DOCUMENTS

- D424,482 S * 5/2000 Hanson et al. D12/133
- D441,162 S * 4/2001 Grove et al. D34/27
- D444,605 S * 7/2001 Porter D34/27



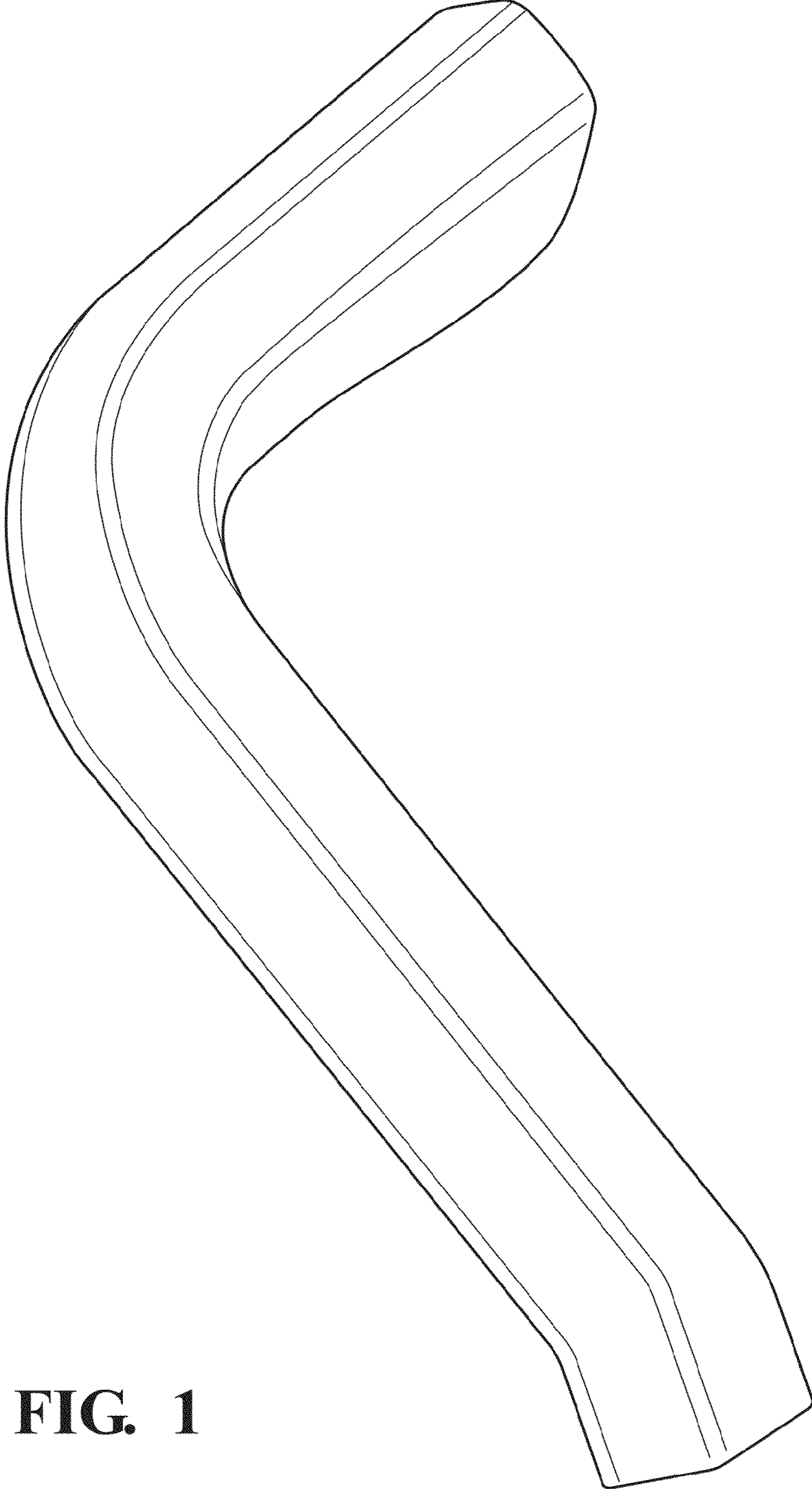


FIG. 1

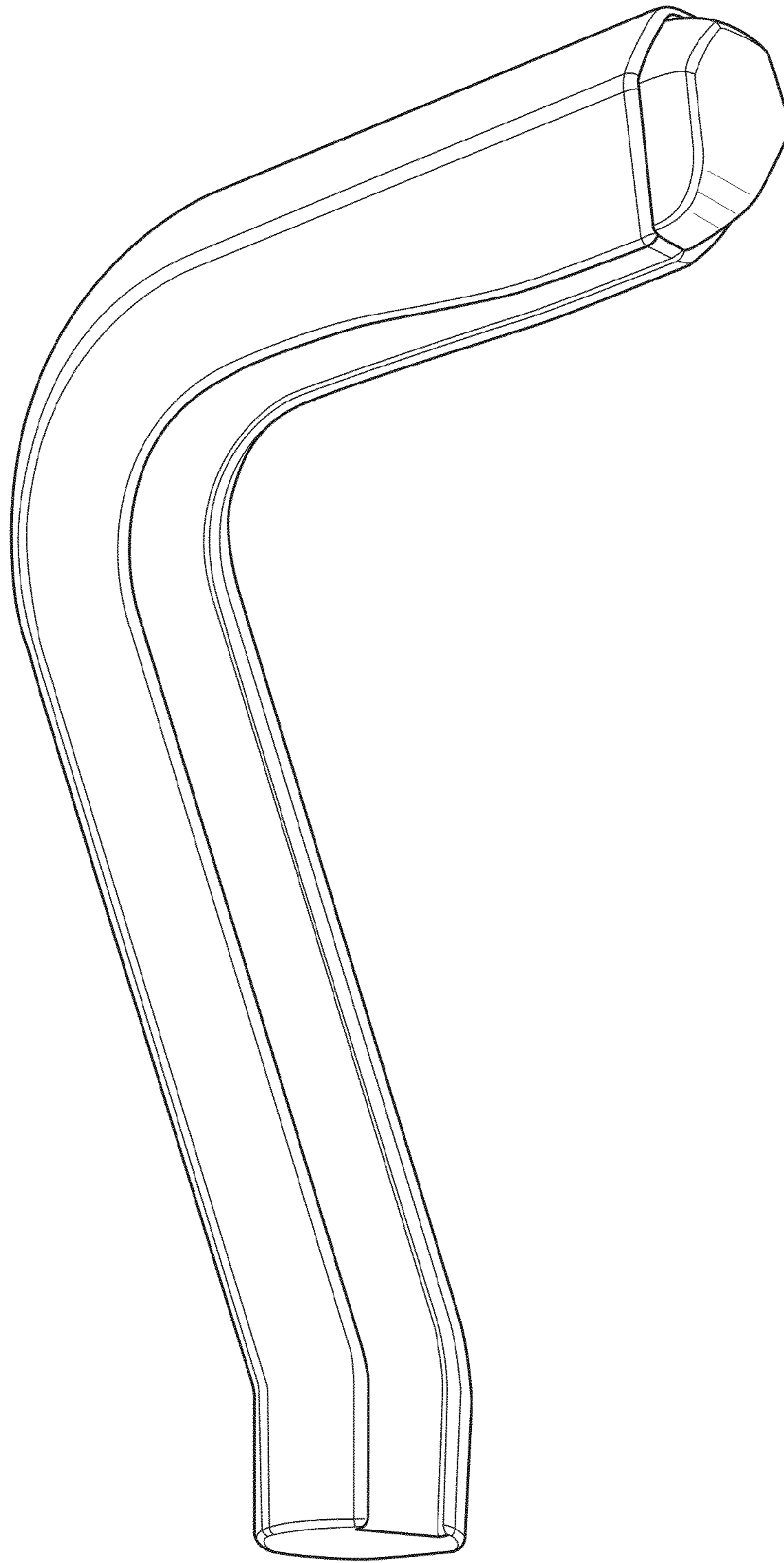


FIG. 2

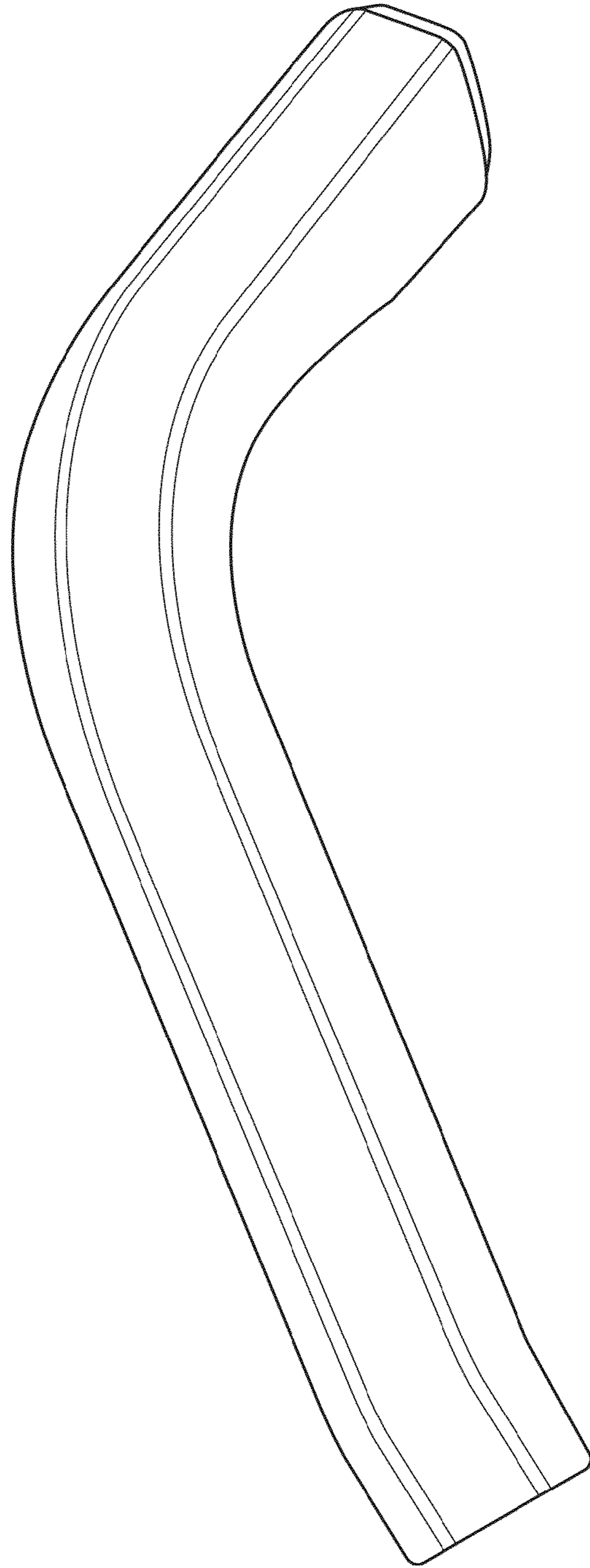


FIG. 3

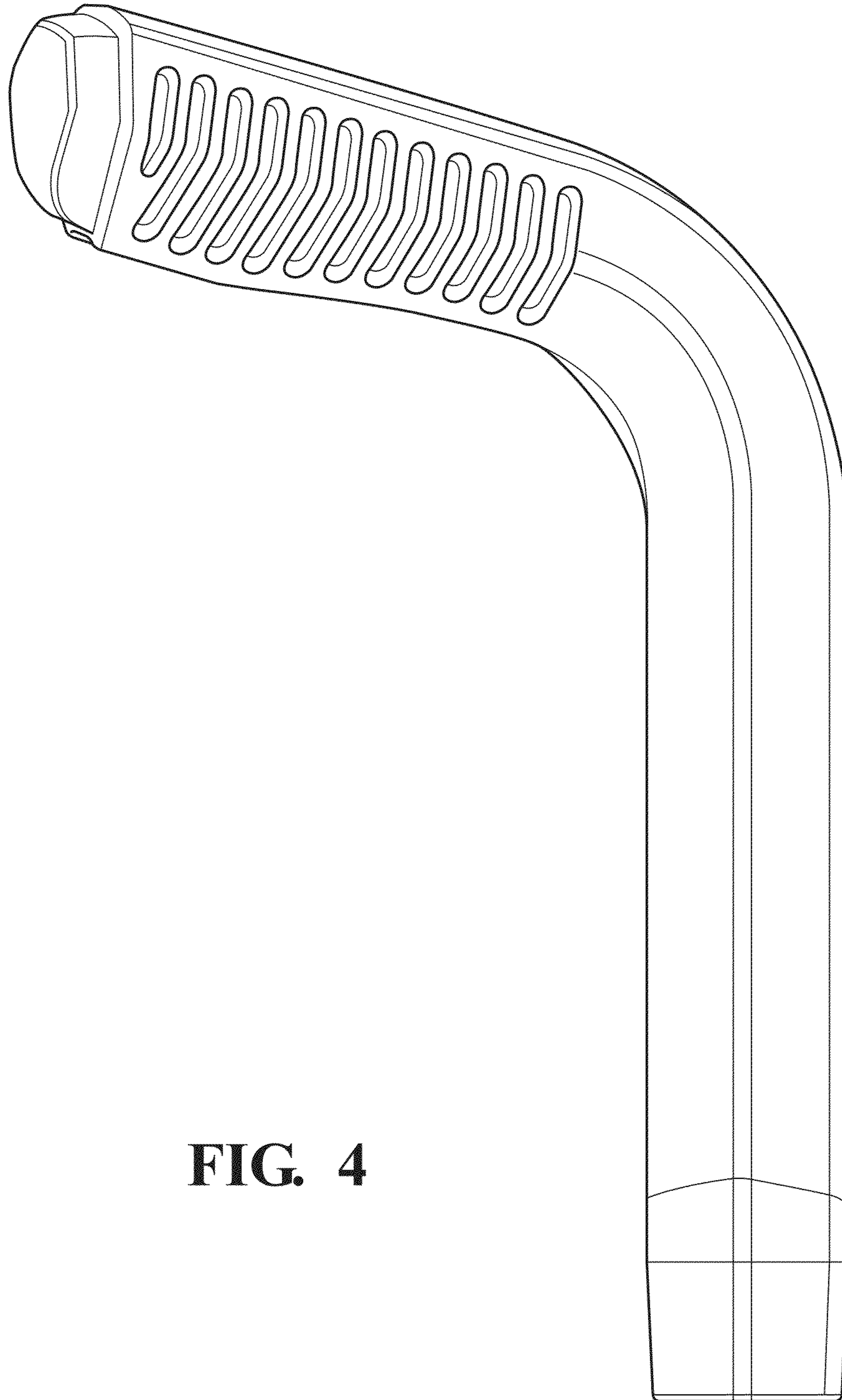


FIG. 4

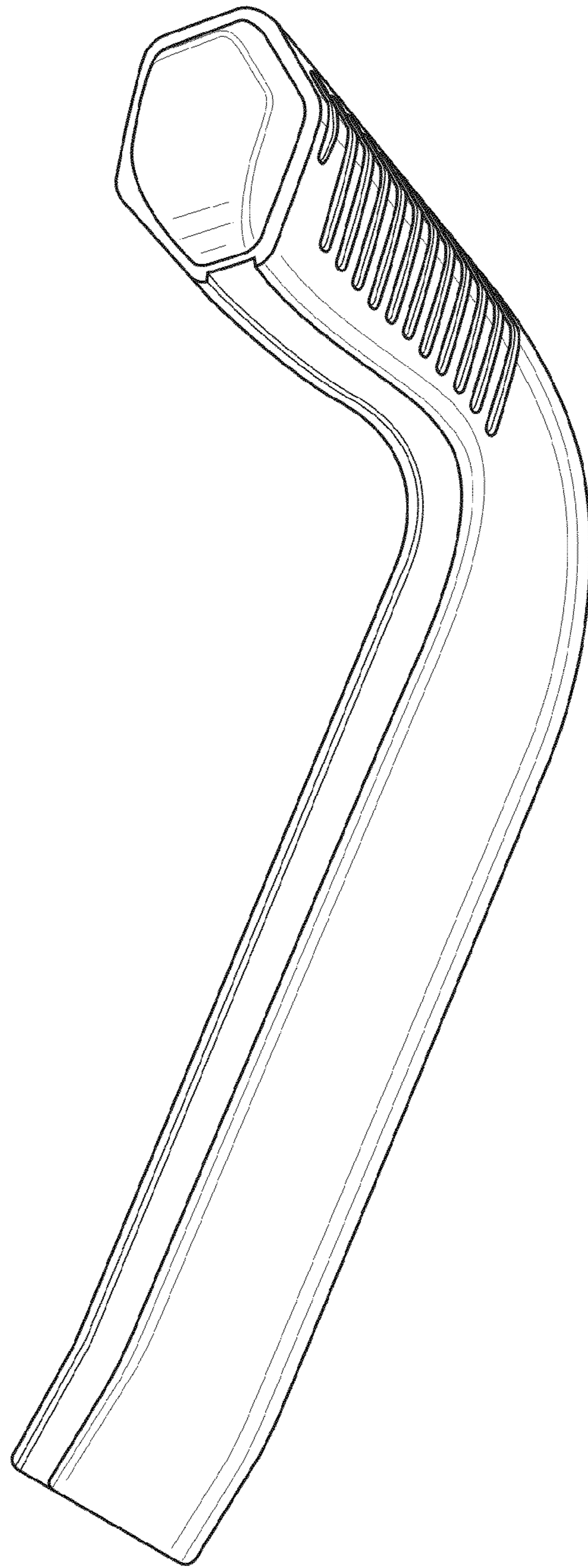


FIG. 5

FIG. 6

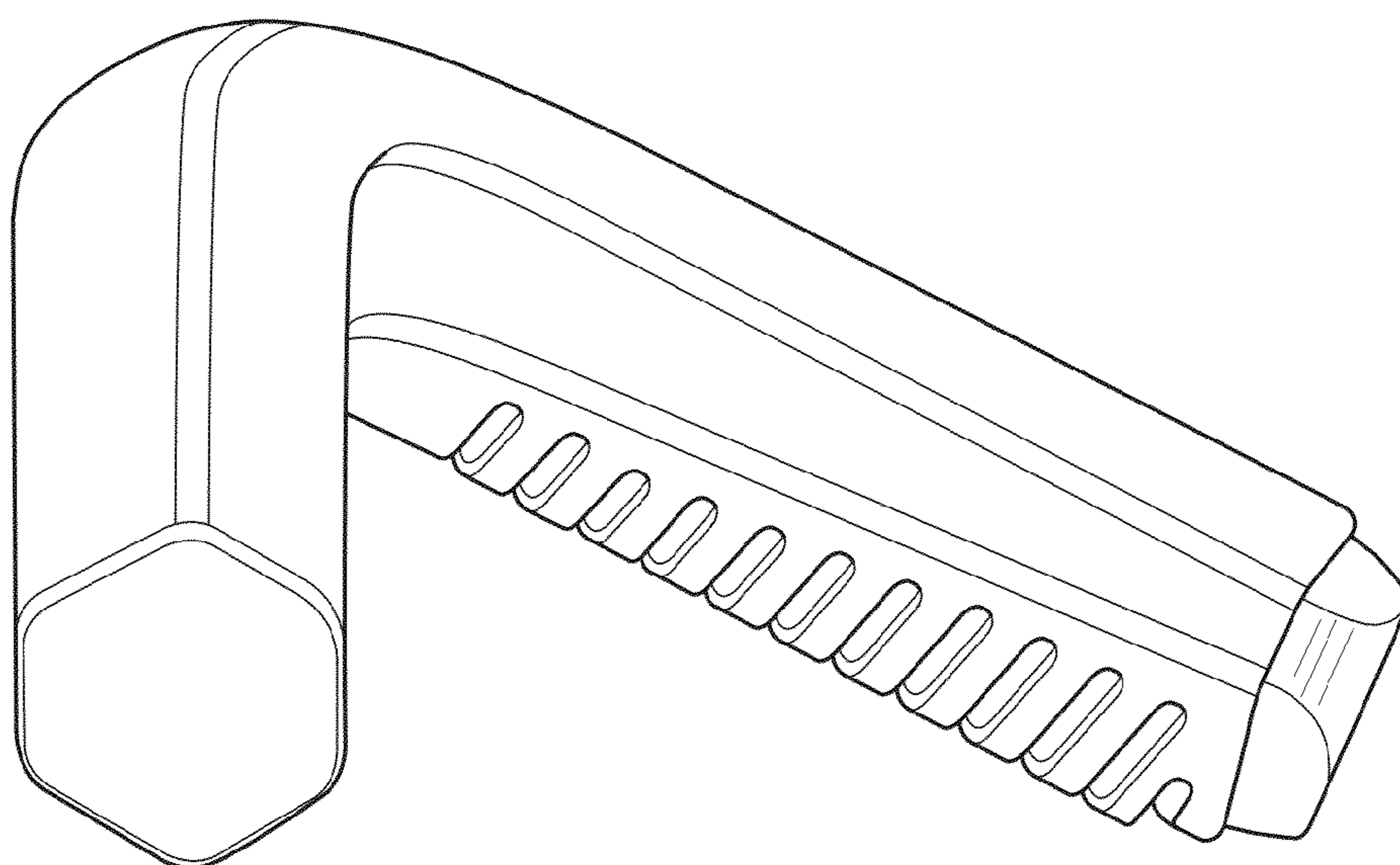
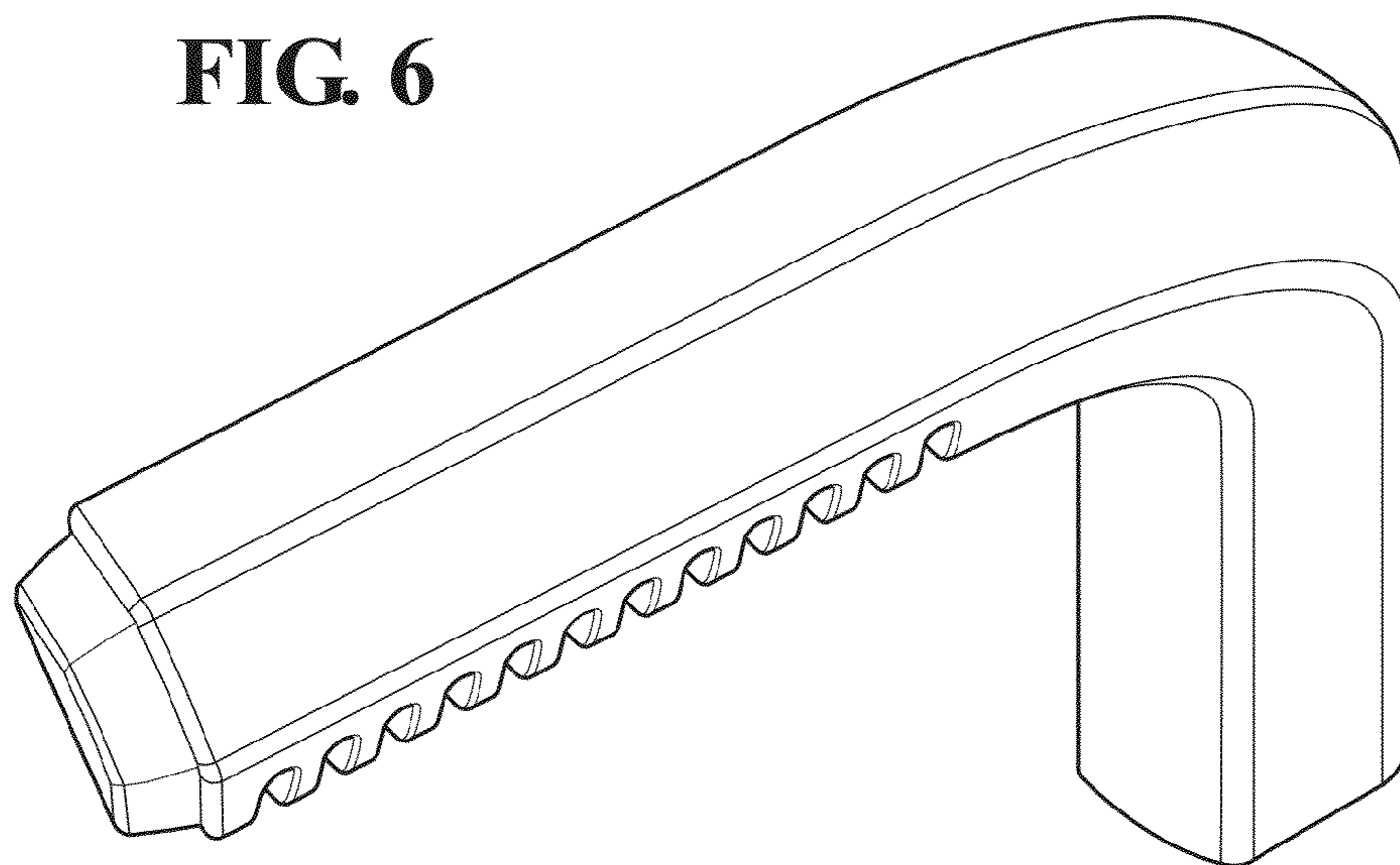


FIG. 7

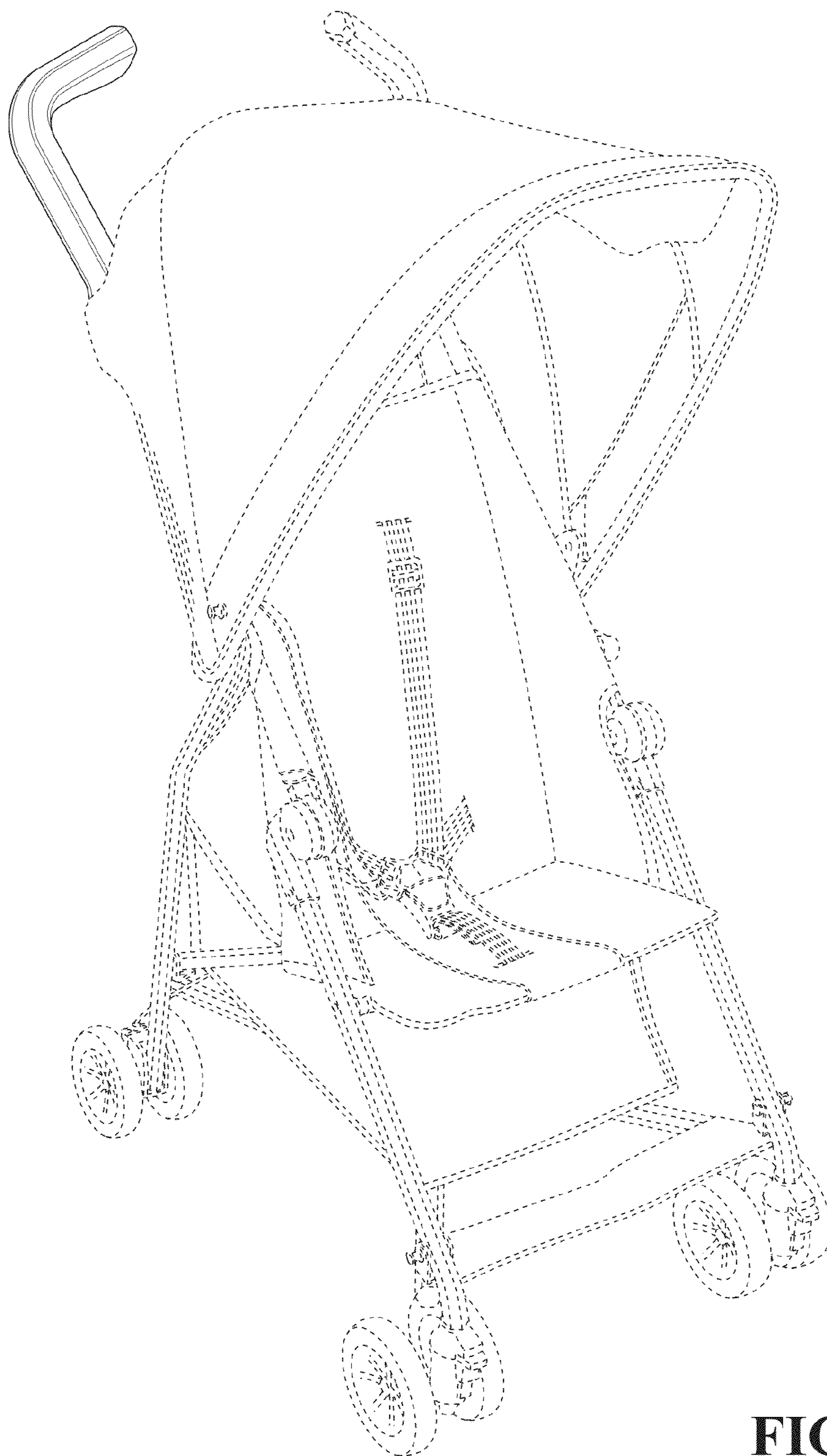


FIG. 8