



US00D720665S

(12) **United States Design Patent**
Lai

(10) **Patent No.:** **US D720,665 S**
(45) **Date of Patent:** **** Jan. 6, 2015**

(54) **CHILD TRAILER AUXILIARY CHAIR**

8,262,114 B2 * 9/2012 Jessie, Jr. 280/279
D680,175 S * 4/2013 Nielsen D21/435
8,517,406 B2 * 8/2013 Diekman et al. 280/282
8,534,689 B2 * 9/2013 Jessie, Jr. 280/210

(71) Applicant: **Chin-I Lai**, Tainan (TW)

(72) Inventor: **Chin-I Lai**, Tainan (TW)

* cited by examiner

(**) Term: **14 Years**

Primary Examiner — Ian Simmons

Assistant Examiner — Charles Hanson

(21) Appl. No.: **29/464,615**

(74) *Attorney, Agent, or Firm* — Muncy, Geissler, Olds & Lowe, P.C.

(22) Filed: **Aug. 19, 2013**

(51) **LOC (10) Cl.** **12-12**

(52) **U.S. Cl.**
USPC **D12/133**

(58) **Field of Classification Search**
USPC D12/128–133, 112, 113; 280/62,
280/647–650, 29, 200, 47.38, 250.1, 259,
280/642, 658, 304.1, 210, 279, 282;
128/99.1, 100.1; D21/435; D34/17, 24
See application file for complete search history.

(57) **CLAIM**
The ornamental design for “child trailer auxiliary chair,” as shown and described.

DESCRIPTION

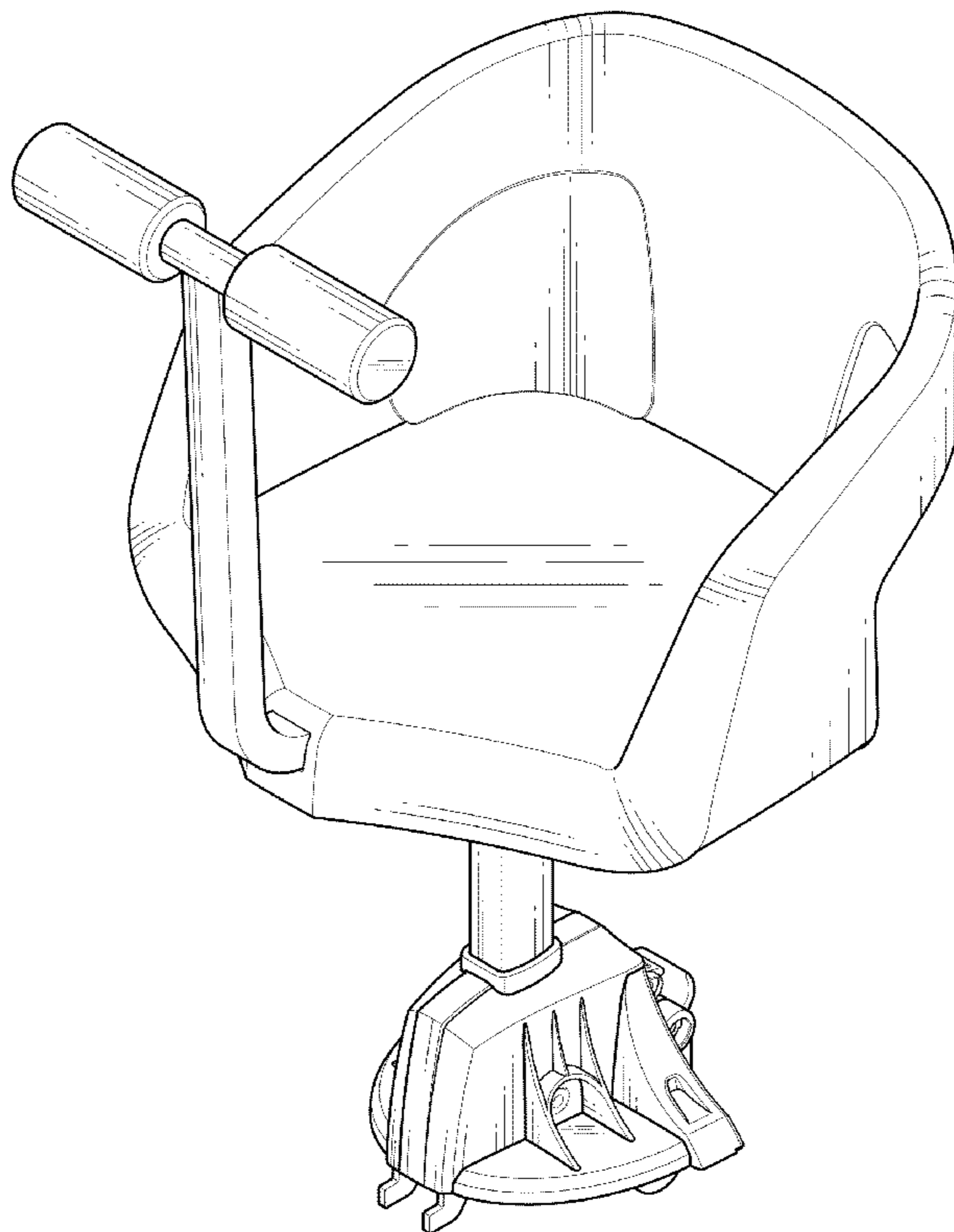
FIG. 1 is a perspective view of “child trailer auxiliary chair” showing my new design thereof;
FIG. 2 is a front side elevation view thereof;
FIG. 3 is a rear perspective view hereof;
FIG. 4 is a left side elevation view thereof;
FIG. 5 shows that a right side view thereof;
FIG. 6 is a top plan view thereof;
FIG. 7 is a bottom plan view thereof;
FIG. 8 is another perspective view thereof; and,
FIG. 9 is another view in use thereof.
The broken line showing forms no part of the claimed design.

(56) **References Cited**

U.S. PATENT DOCUMENTS

D485,513 S * 1/2004 de Oliveira D12/112
D518,417 S * 4/2006 Oosterveer D12/112
D535,918 S * 1/2007 On D12/112
7,159,882 B2 1/2007 Buhrman
D540,717 S * 4/2007 On D12/112
7,367,579 B2 5/2008 Pan
D579,502 S 10/2008 Hourdeaux
7,487,988 B2 * 2/2009 Kettler et al. 280/279
D594,788 S * 6/2009 Hartlaub et al. D12/113

1 Claim, 9 Drawing Sheets



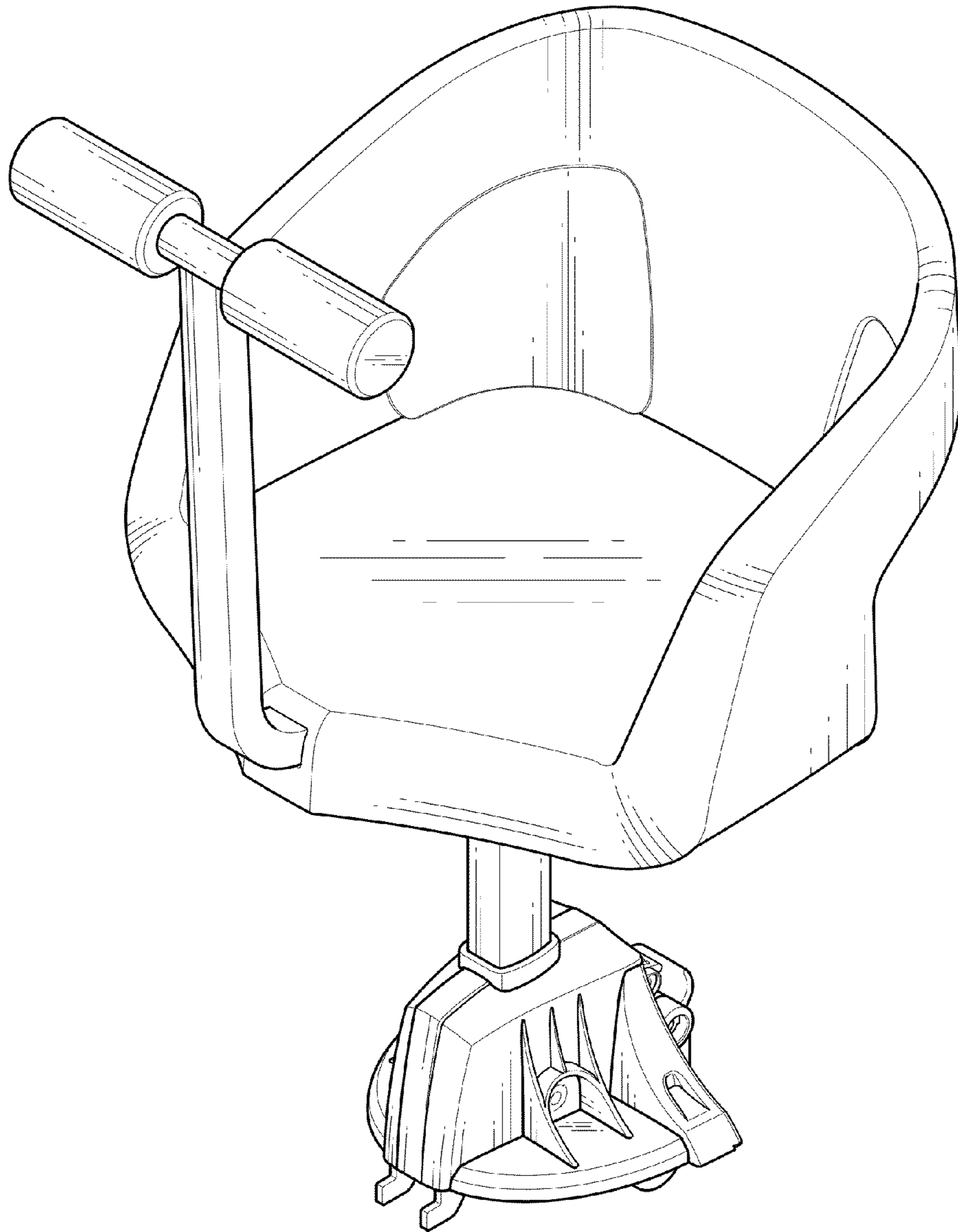


Fig. 1

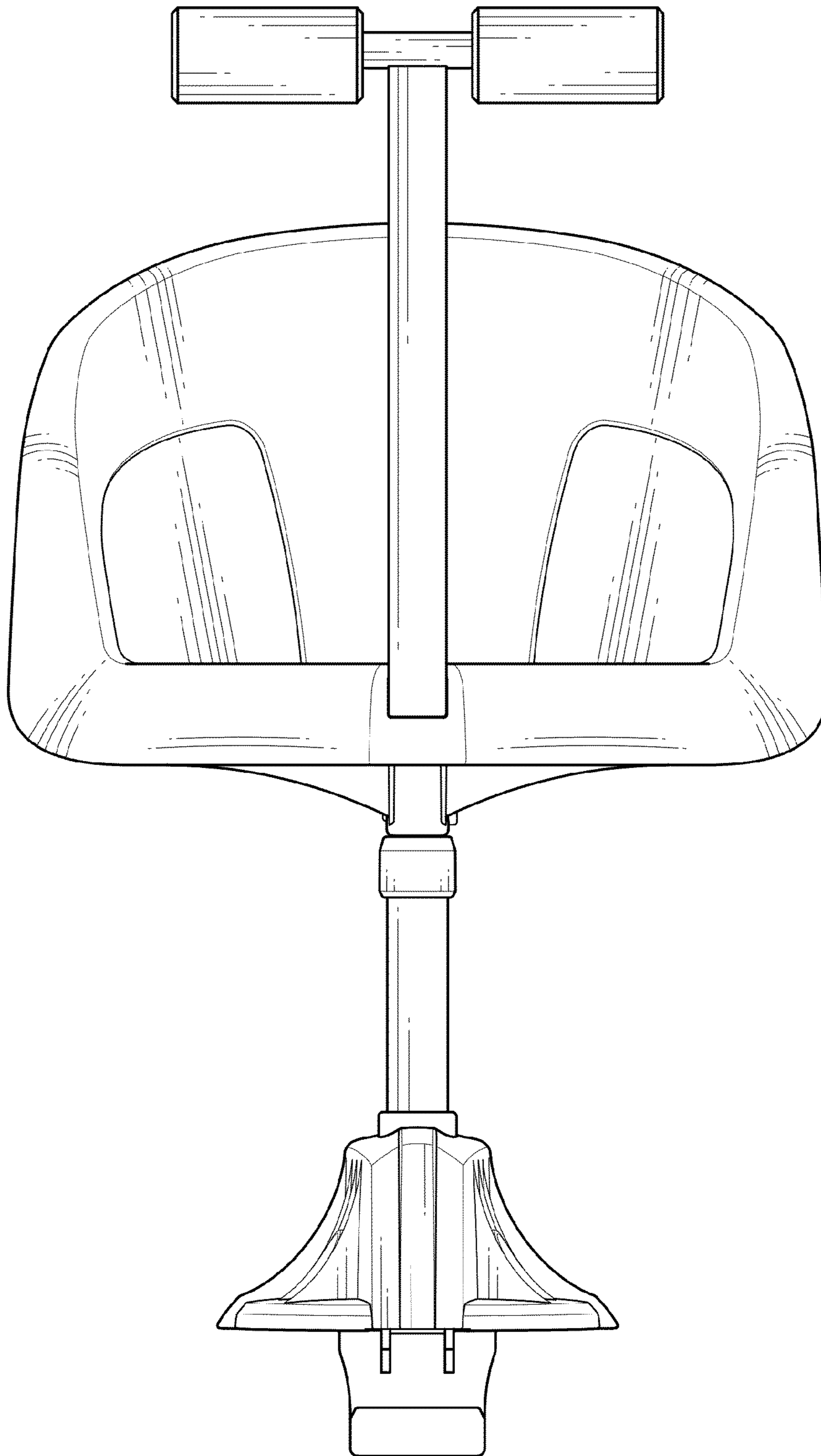


Fig. 2

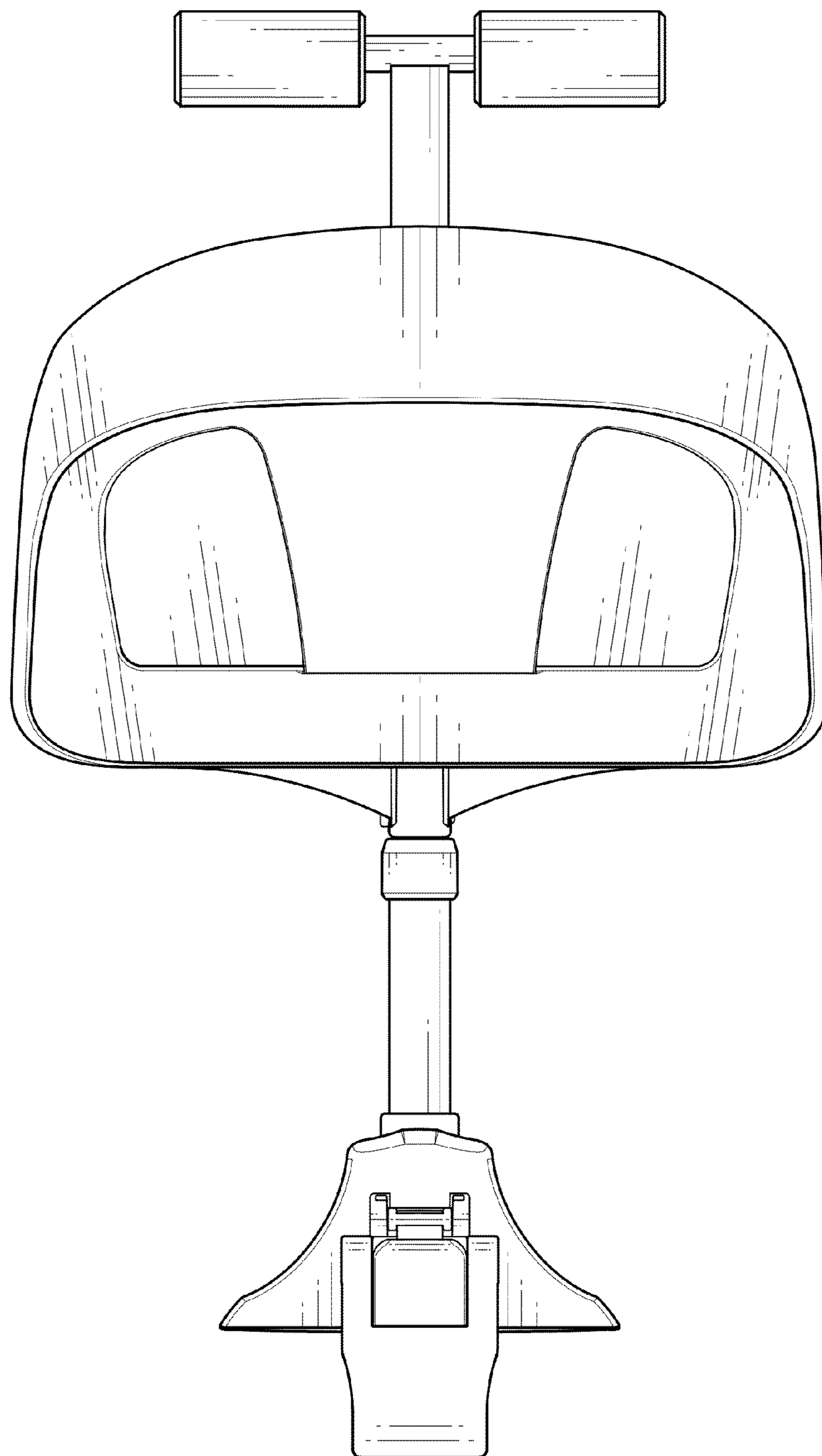


Fig. 3

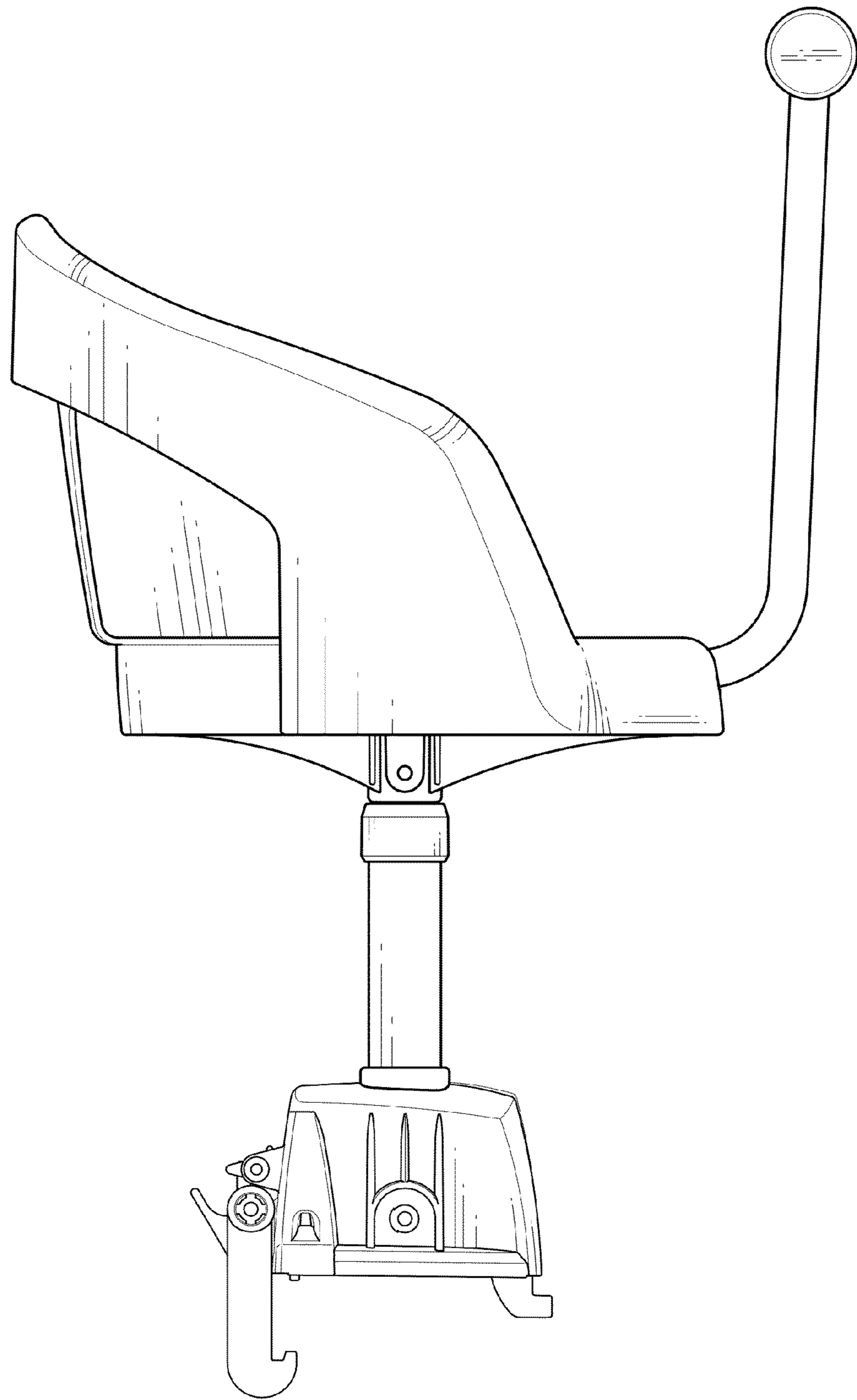


Fig. 4

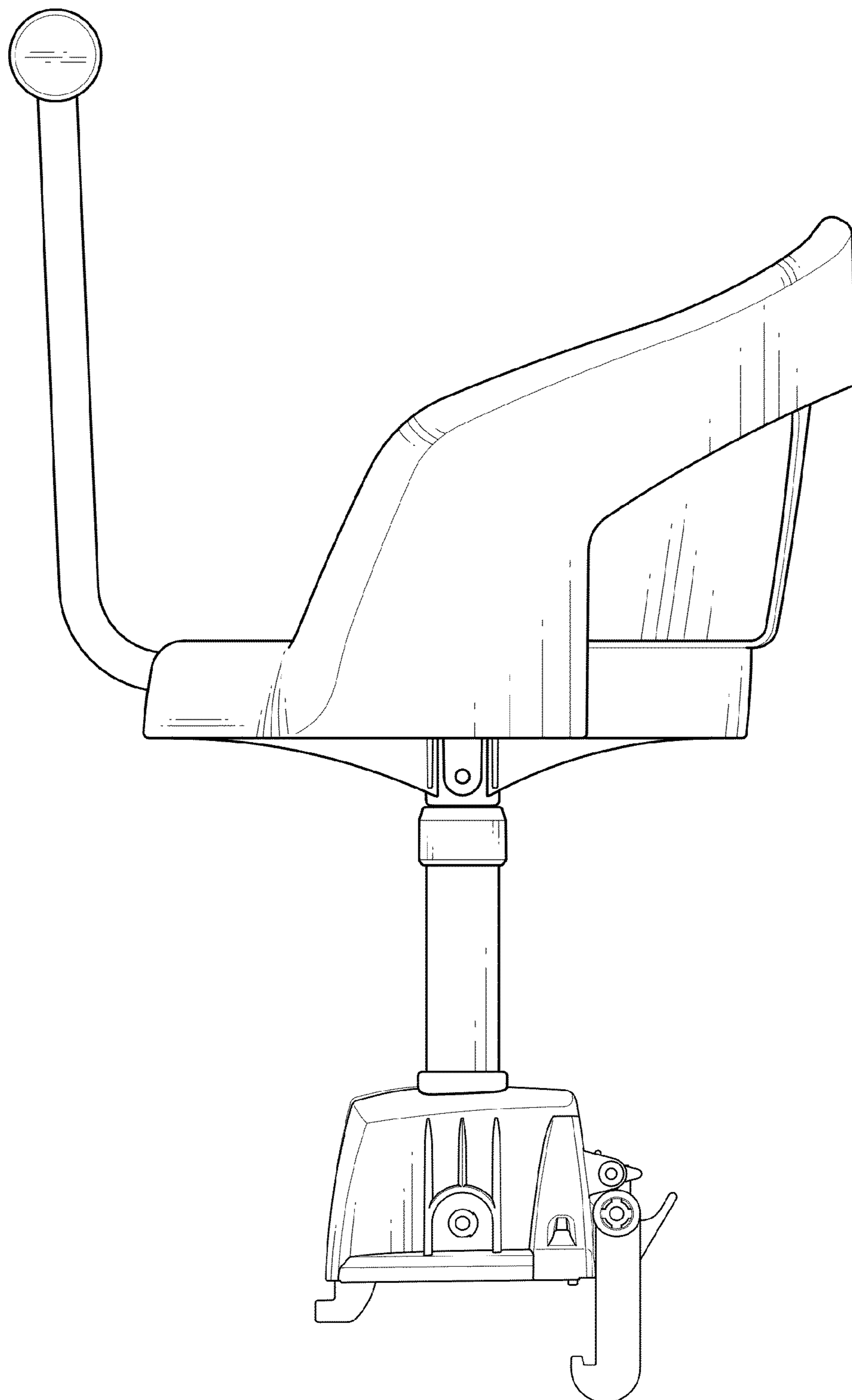


Fig. 5

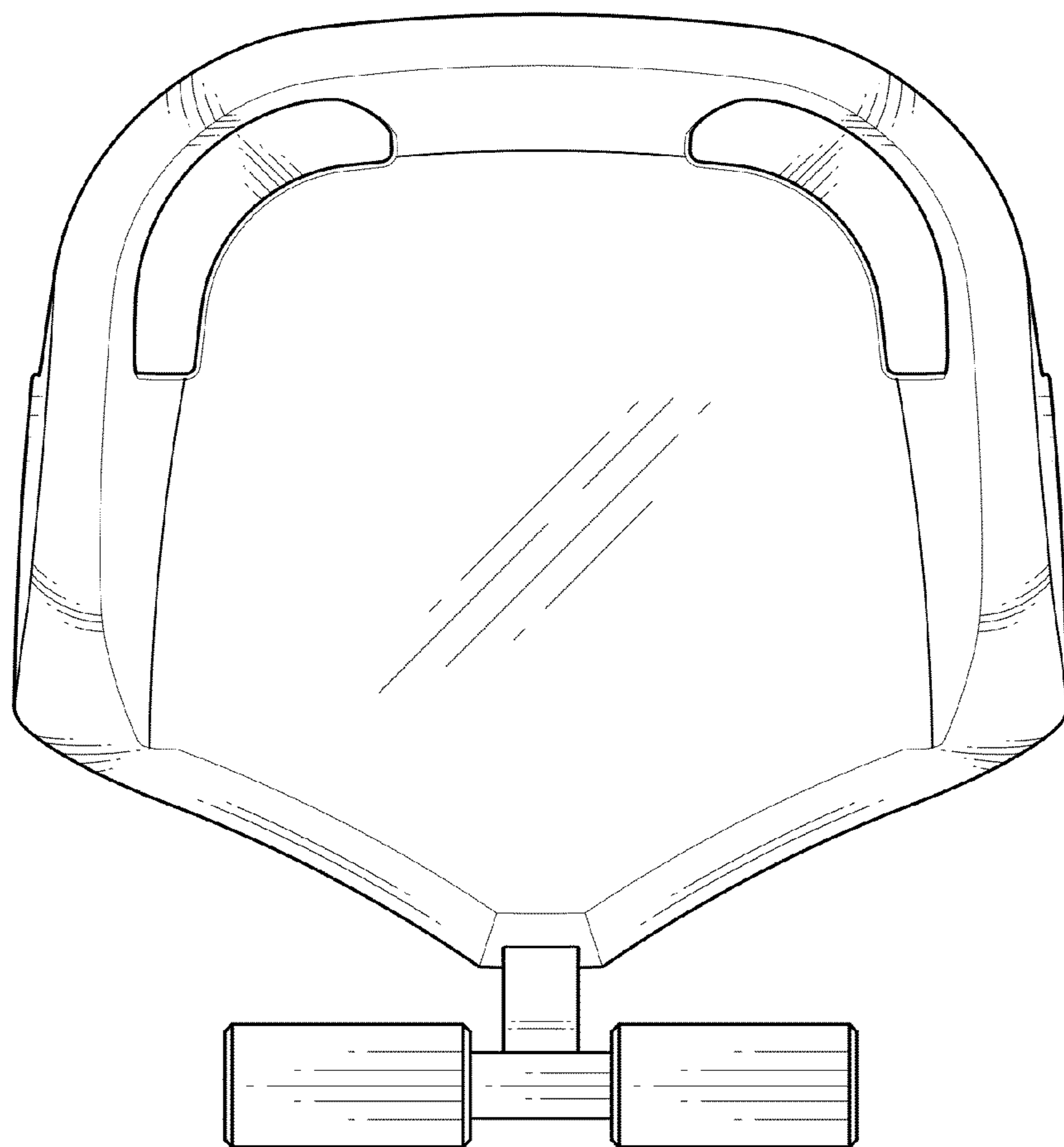


Fig. 6

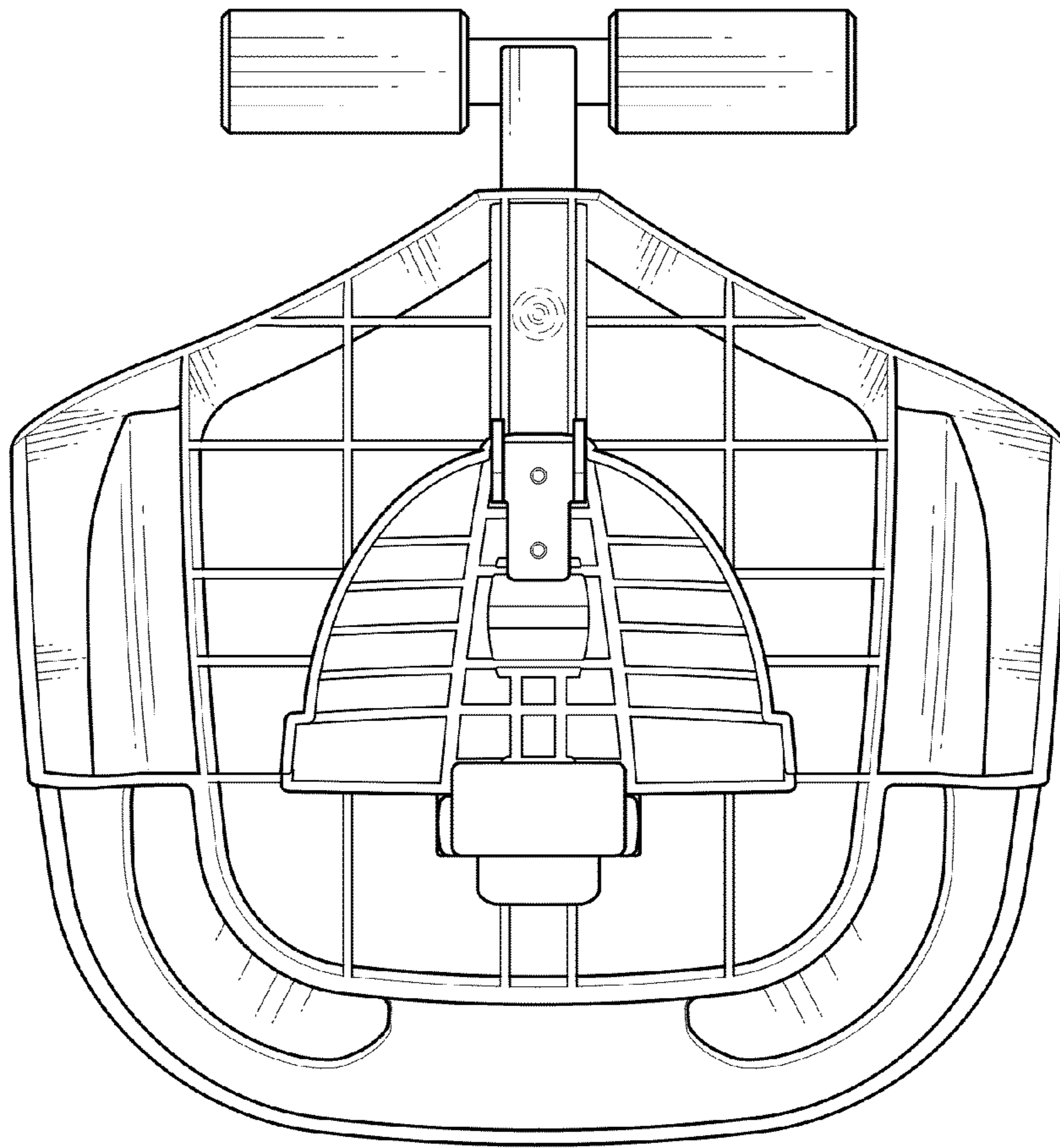


Fig. 7

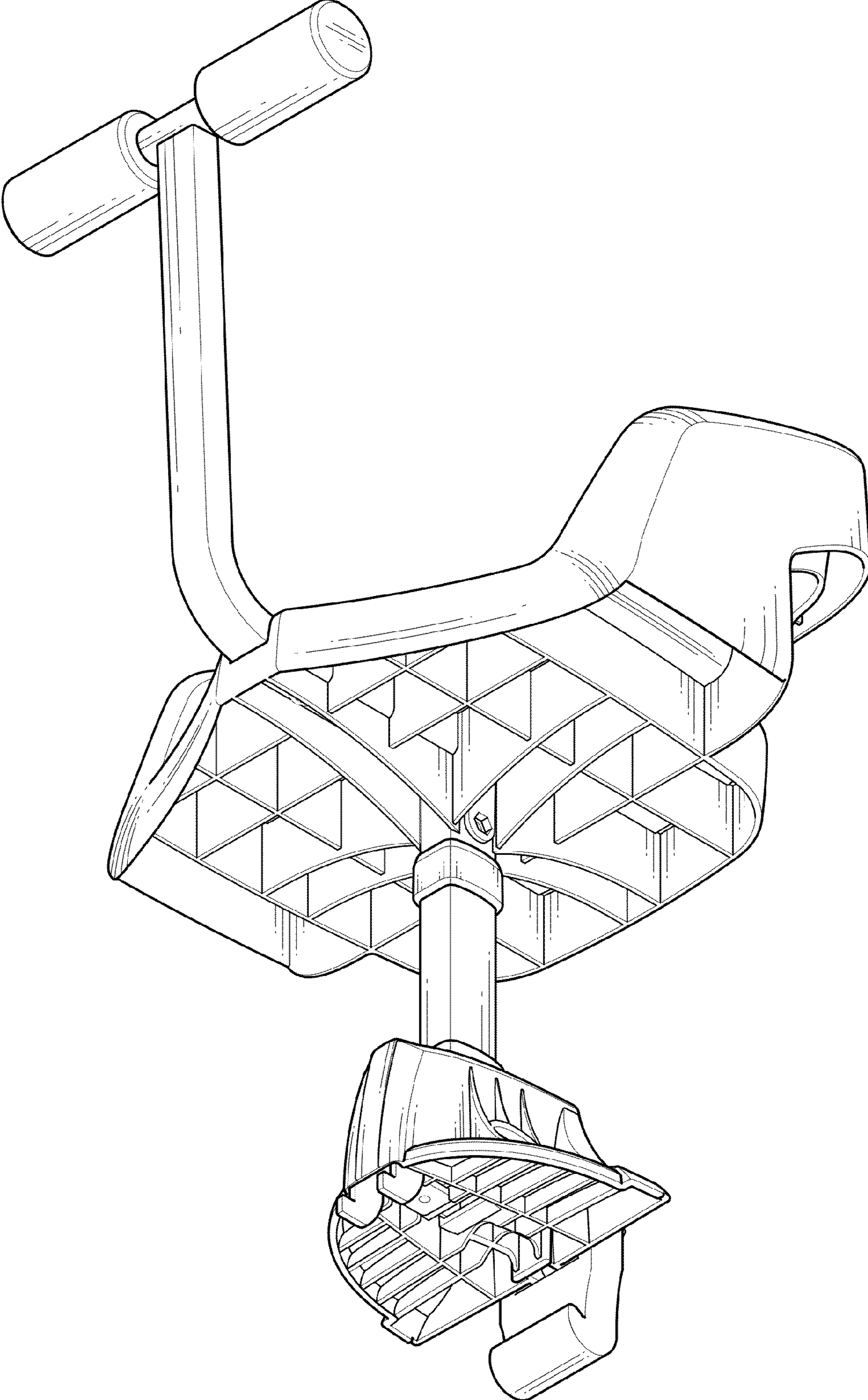


Fig. 8

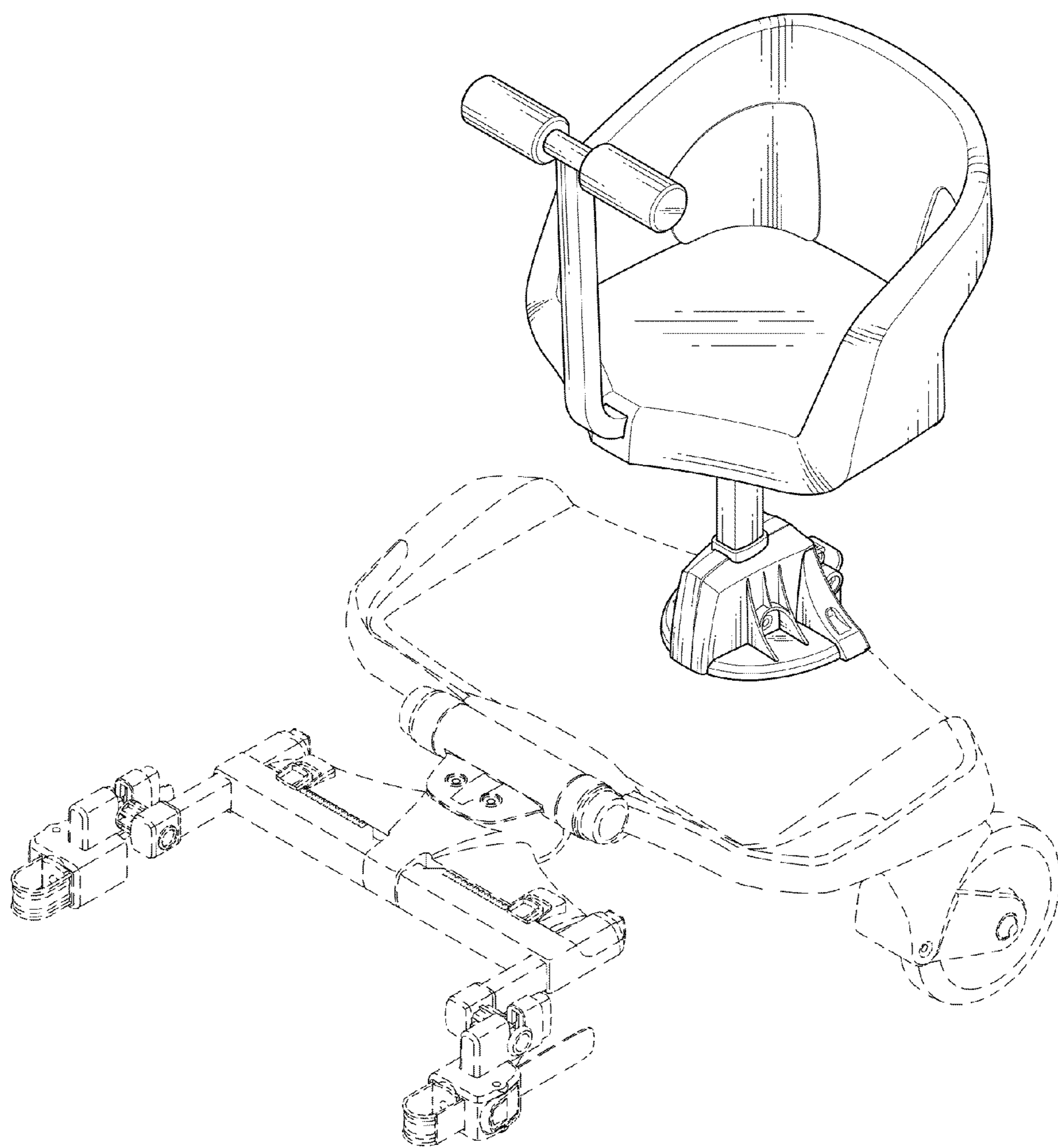


Fig. 9