



US00D720664S

(12) **United States Design Patent**
Wang et al.

(10) **Patent No.:** **US D720,664 S**
(45) **Date of Patent:** **** Jan. 6, 2015**

- (54) **FOLDING WALKER HINGE**
- (71) Applicant: **Medline Industries, Inc.**, Mundelein, IL (US)
- (72) Inventors: **Ben Wang**, Zhongshan (CN); **Brian Ramirez**, Chicago, IL (US); **Margaret Andersen**, Chicago, IL (US)
- (73) Assignee: **Medline Industries, Inc.**, Mundelein, IL (US)
- (**) Term: **14 Years**
- (21) Appl. No.: **29/437,742**
- (22) Filed: **Nov. 20, 2012**
- (51) **LOC (10) Cl.** **12-12**
- (52) **U.S. Cl.**
USPC **D12/133**
- (58) **Field of Classification Search**
USPC D3/5-17; D12/128-133; 135/65-73, 135/912; 280/62, 647-650, 29, 200, 47.38, 280/250.1, 259, 642, 658, 304.1; 128/99.1, 128/100.1; D8/323; 602/27
See application file for complete search history.

- D433,918 S * 11/2000 Bradley et al. D8/323
- 6,279,591 B1 * 8/2001 Obitts 135/67
- D451,000 S * 11/2001 Karl D8/323
- D483,702 S * 12/2003 Gilles D12/133
- D495,629 S * 9/2004 Chelgren D12/133
- D631,403 S * 1/2011 Knopf D12/133
- D633,773 S * 3/2011 Yamanaka D8/323
- 8,454,546 B2 * 6/2013 Campos et al. 602/27
- D701,795 S * 4/2014 Brown et al. D12/133

* cited by examiner

Primary Examiner — Ian Simmons

Assistant Examiner — Charles Hanson

(74) *Attorney, Agent, or Firm* — McAndrews Held & Malloy, Ltd.

(57) **CLAIM**

The ornamental design for a folding walker hinge, as shown and described.

DESCRIPTION

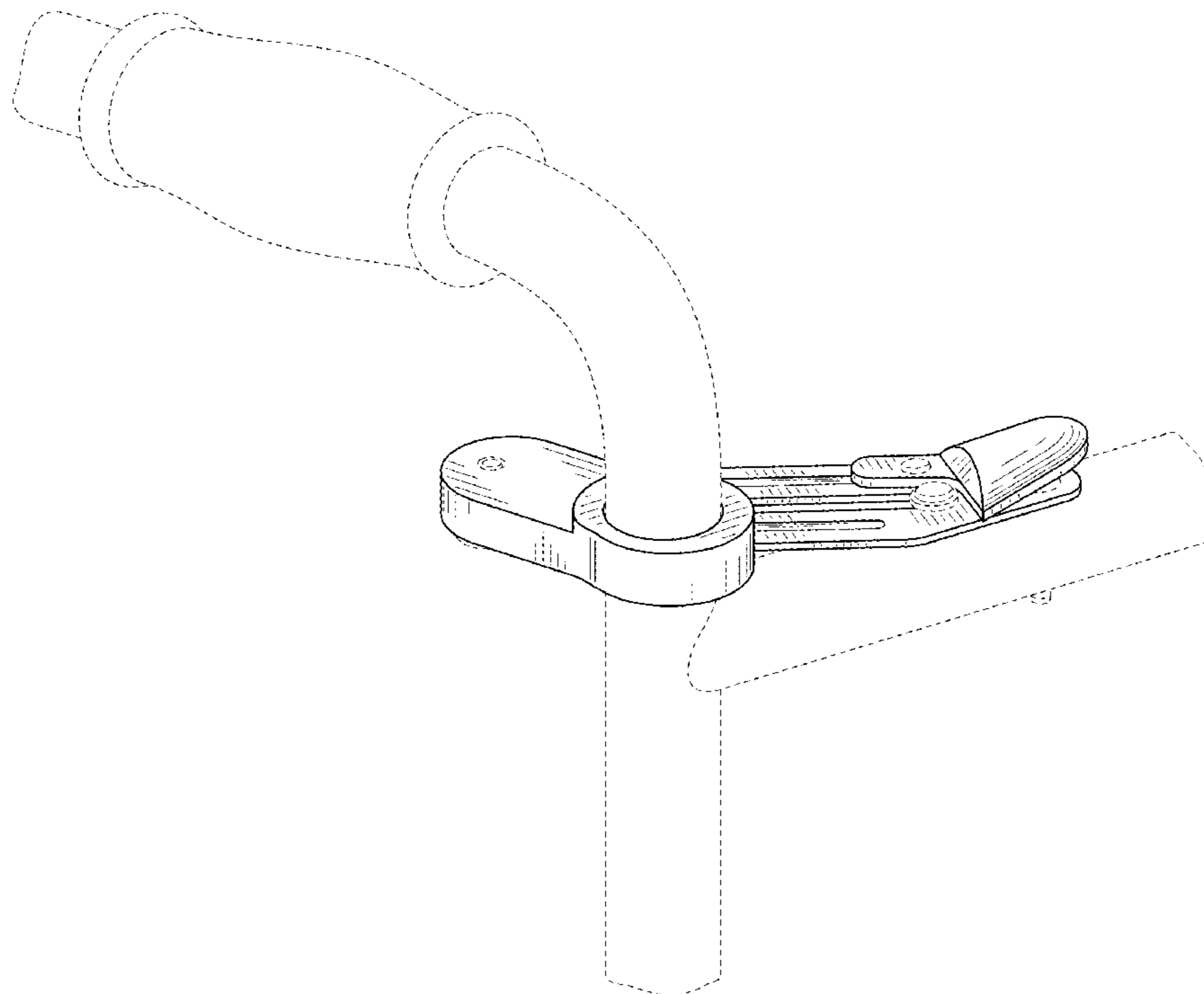
FIG. 1 is a front perspective view of a first embodiment of a folding walker hinge showing our new design; FIG. 2 is a front side elevation view thereof; FIG. 3 is a rear side elevation view thereof; FIG. 4 is a right side elevation view thereof; FIG. 5 is a left side elevation view thereof; FIG. 6 is a top side plan view thereof; and, FIG. 7 is a bottom side plan view thereof. The broken lines in the drawings represent environmental subject matter and form no part of the claimed design. Any portions of the folding walker hinge not depicted in the drawings form no part of the claimed design.

1 Claim, 7 Drawing Sheets

(56) **References Cited**

U.S. PATENT DOCUMENTS

- 5,188,139 A * 2/1993 Garelick 135/67
- D365,675 S * 1/1996 Macmillan D3/12
- D392,175 S * 3/1998 Beck D8/323
- D423,993 S * 5/2000 Slagerman D12/133



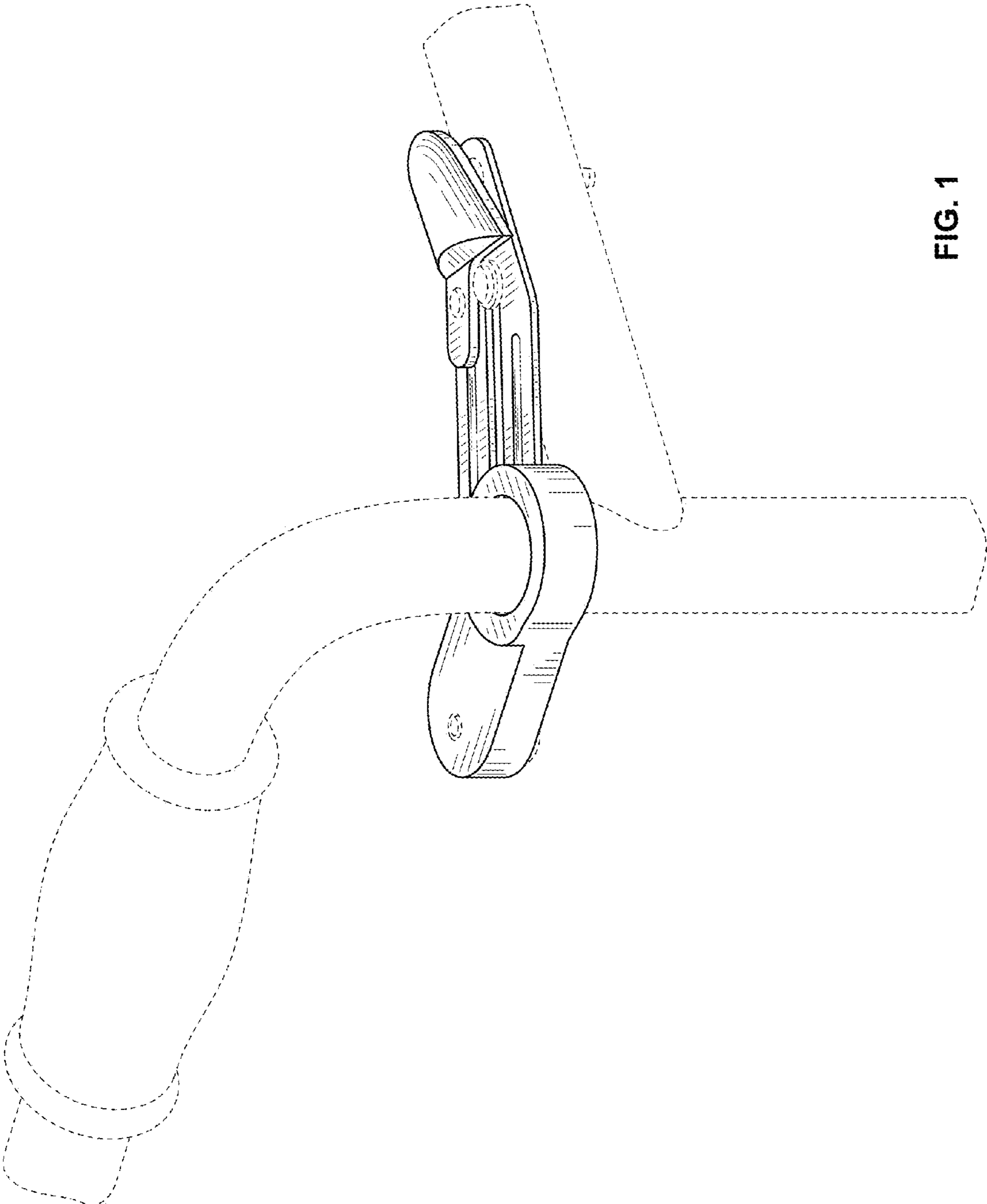


FIG. 1

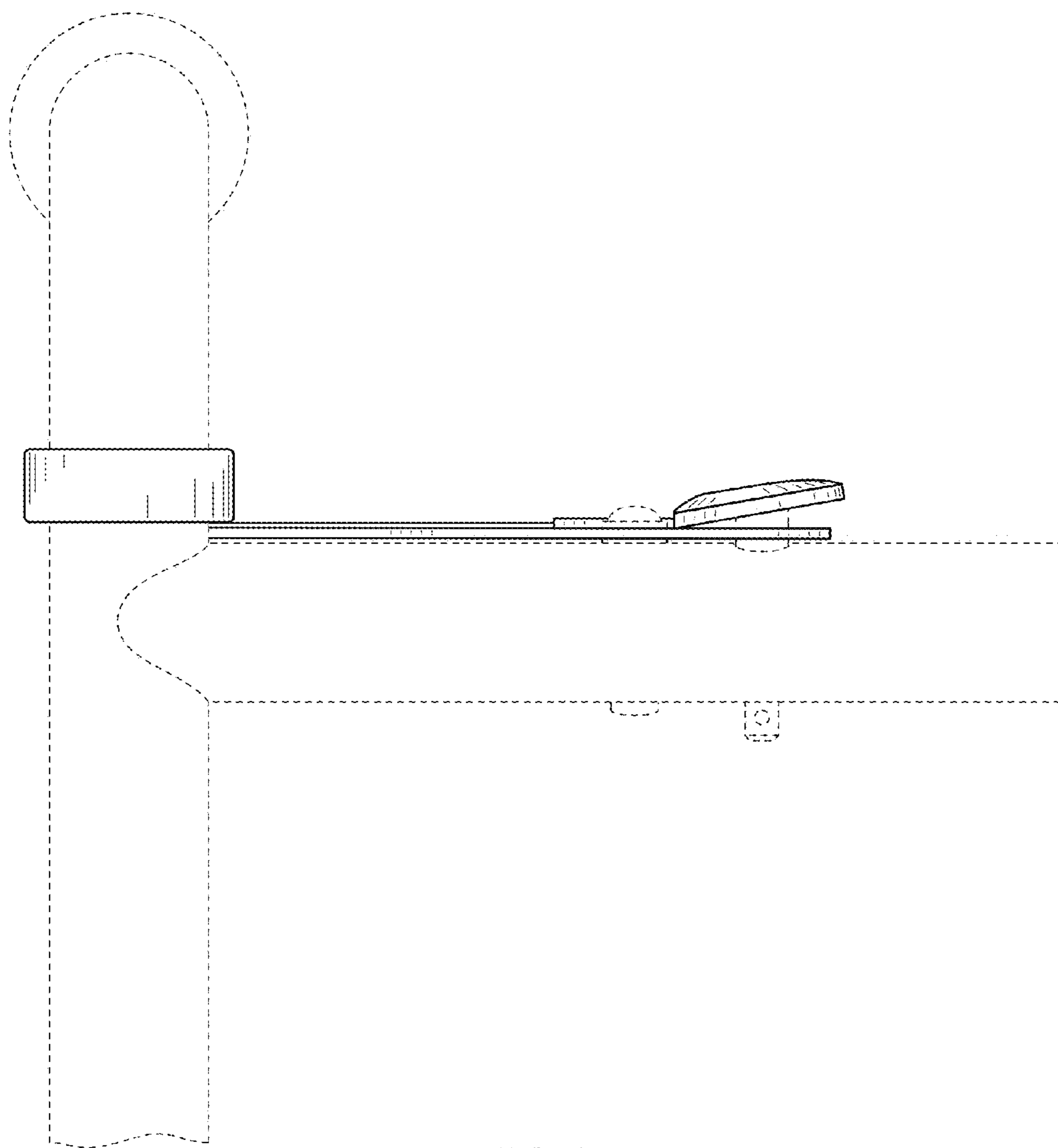


FIG. 2

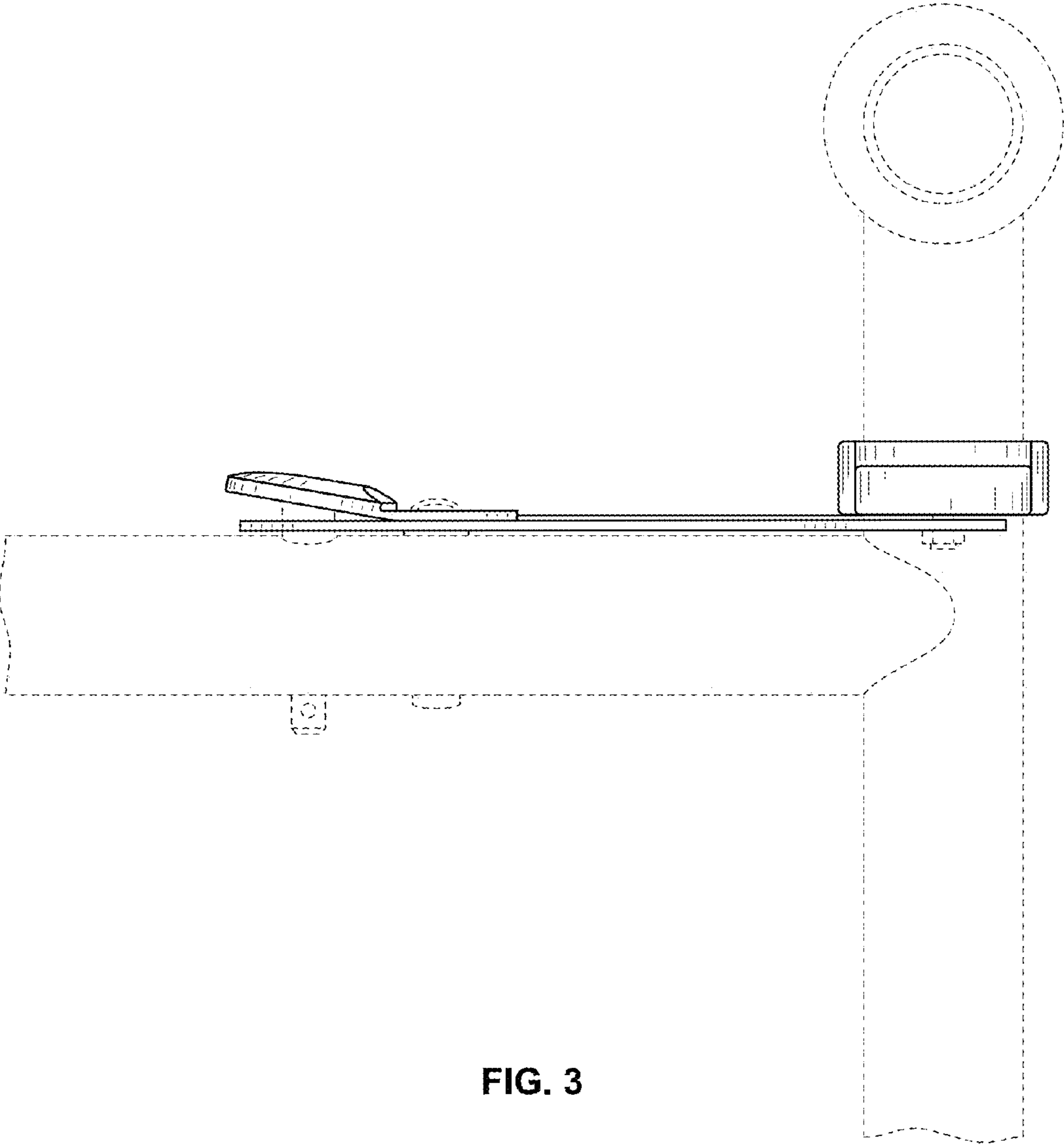


FIG. 3

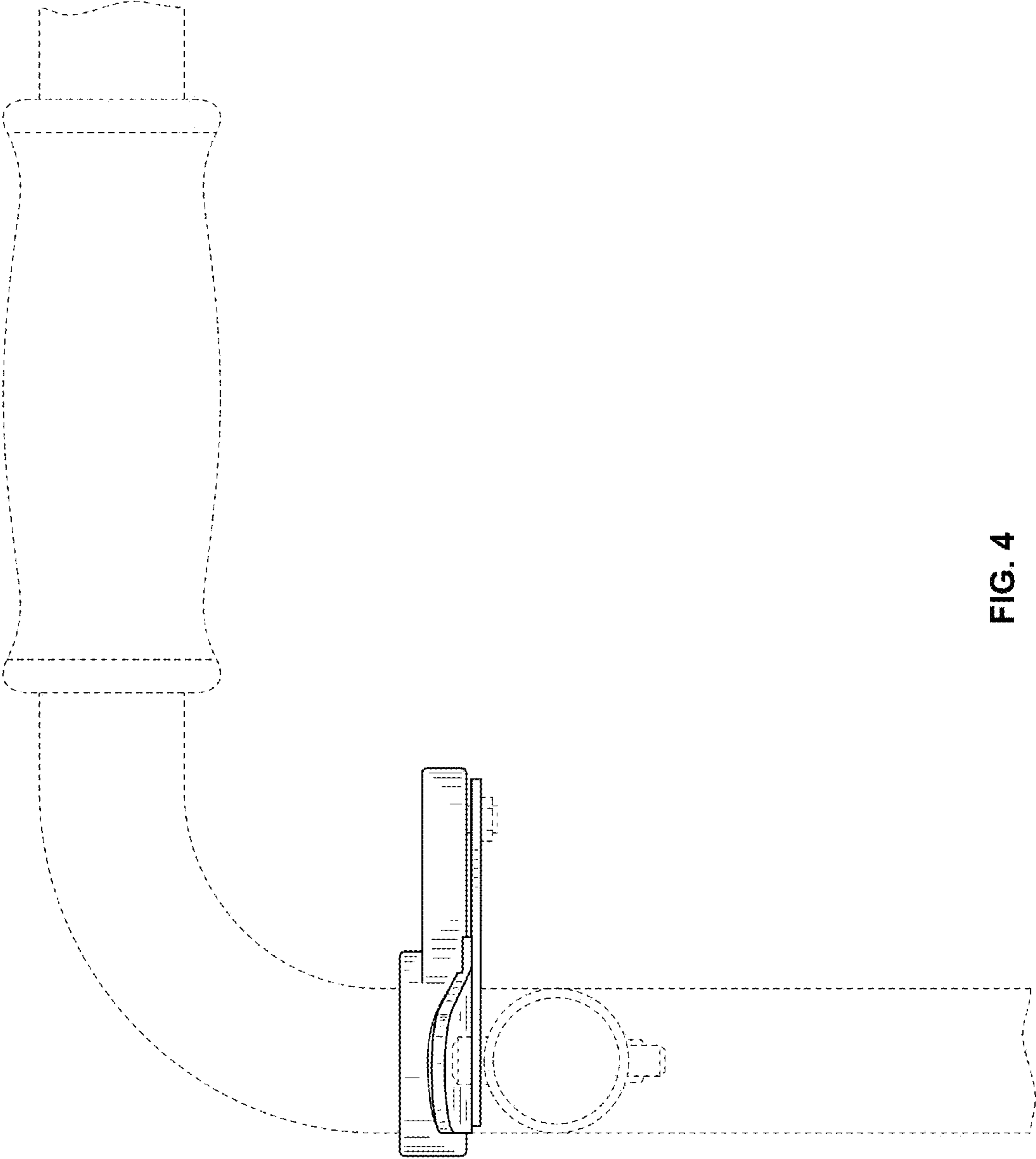


FIG. 4

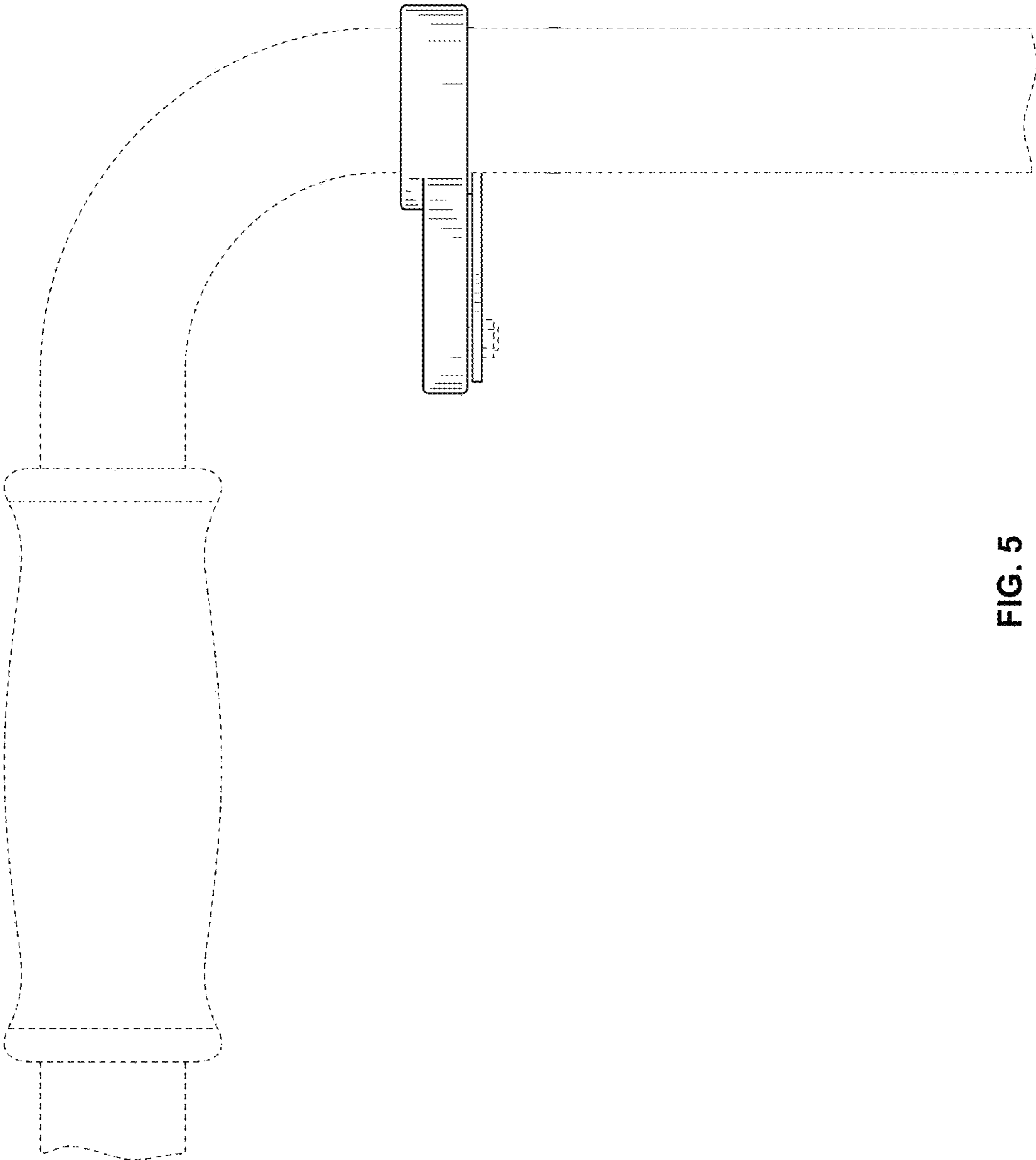


FIG. 5

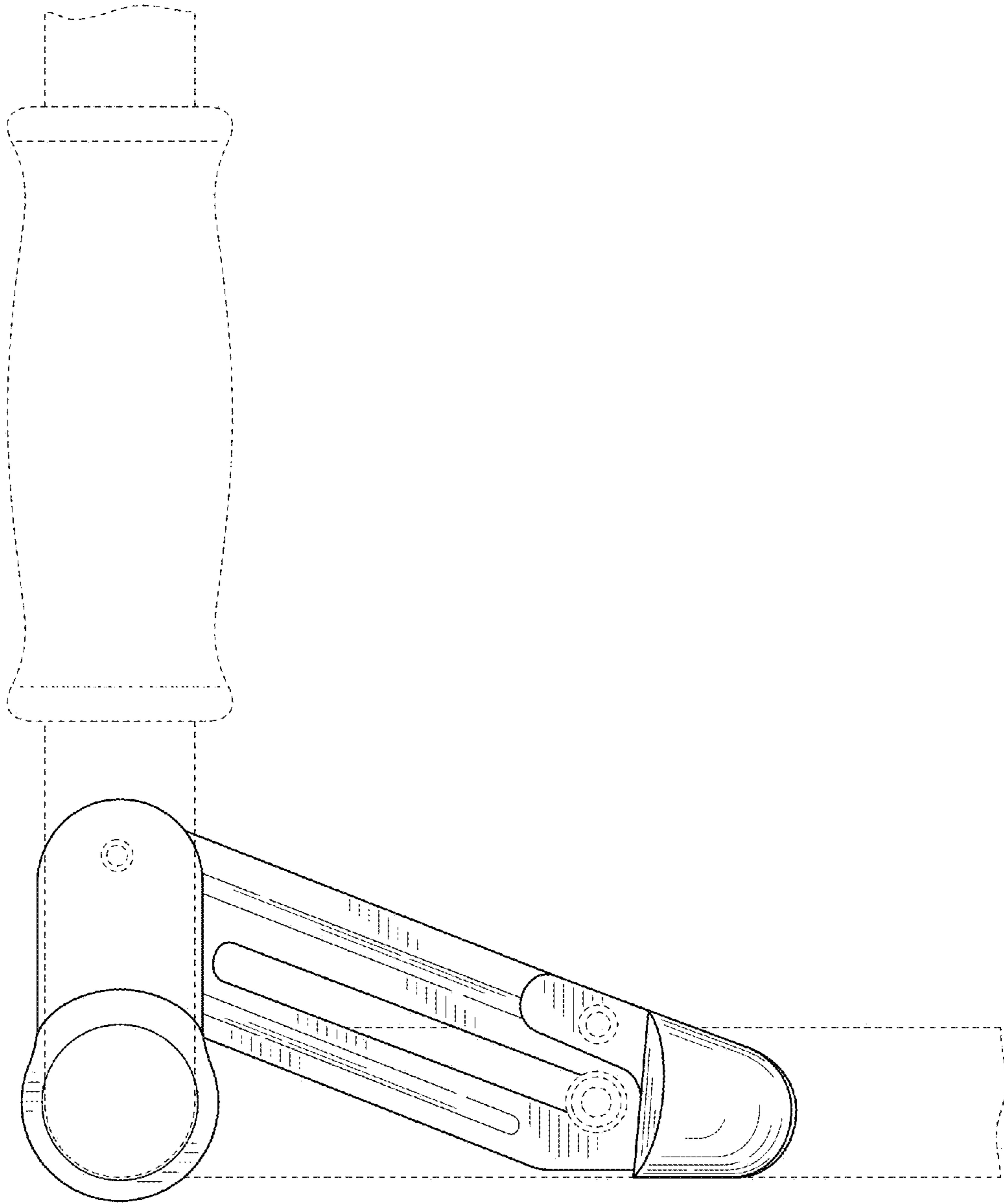


FIG. 6

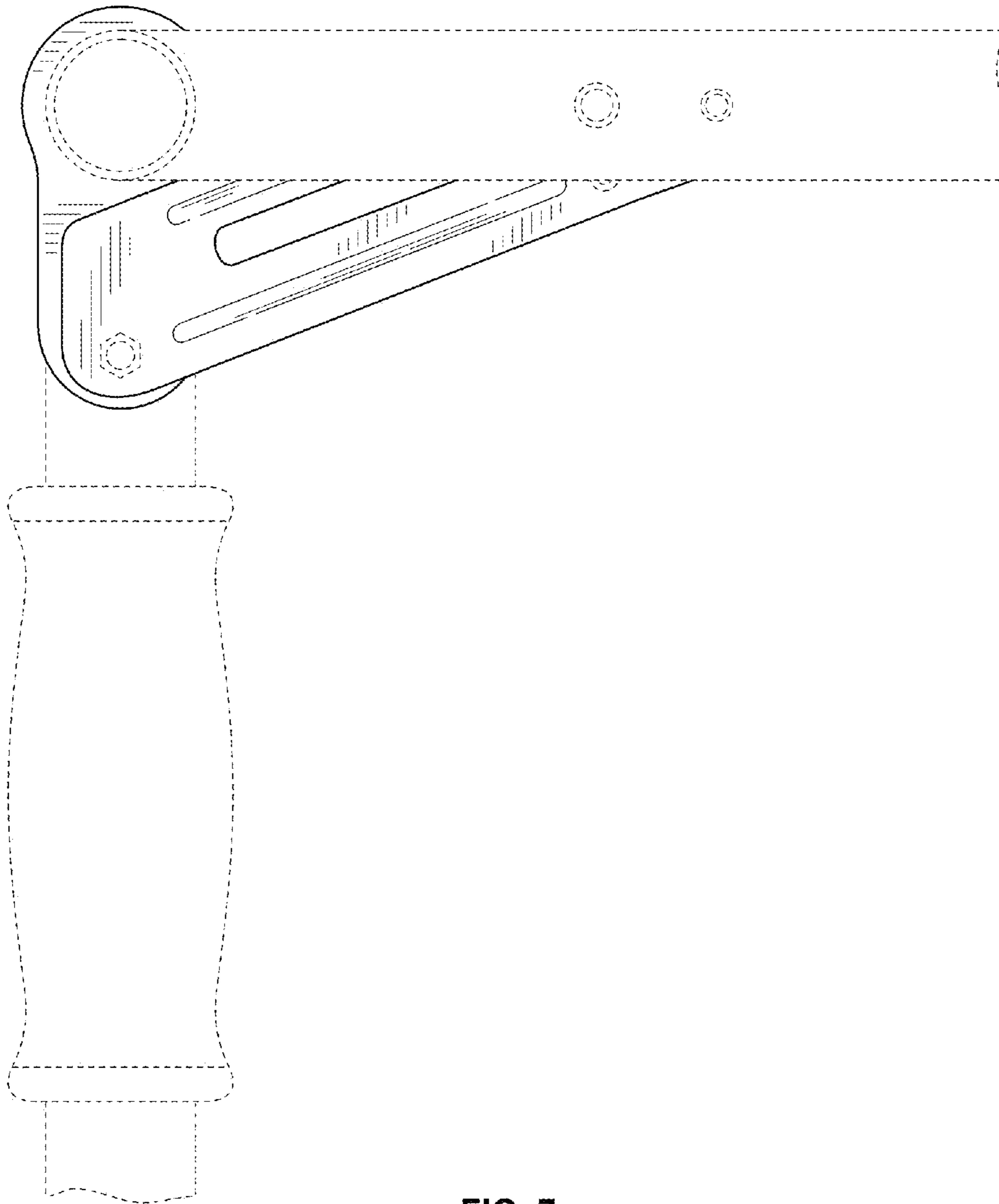


FIG. 7