



US00D720662S

(12) **United States Design Patent**
Armour

(10) **Patent No.:** **US D720,662 S**
(45) **Date of Patent:** **** Jan. 6, 2015**

(54) **ACTIVITY SUPPORT**

(76) Inventor: **Ian Denholm Armour**, Asturias (ES)

(**) Term: **14 Years**

(21) Appl. No.: **29/386,291**

(22) Filed: **Feb. 28, 2011**

(51) **LOC (10) Cl.** **12-12**

(52) **U.S. Cl.**
USPC **D12/133**

(58) **Field of Classification Search**
USPC D12/128-133; 280/62, 647-650, 29,
280/200, 47.38, 250.1, 259, 642, 658, 220;
297/244, 300.2; 248/229.14, 74.1,
248/68.1; D23/422
See application file for complete search history.

(56) **References Cited**

U.S. PATENT DOCUMENTS

6,056,361 A * 5/2000 Cvek 297/300.2
D542,405 S * 5/2007 Esjunin D23/422
D558,329 S * 12/2007 Esjunin et al. D23/422
7,607,619 B2 * 10/2009 Smart et al. 248/74.1
7,931,288 B1 * 4/2011 Chuang 280/250.1

8,231,090 B2 * 7/2012 Cramer 248/229.14
2007/0045482 A1 * 3/2007 Smart 248/68.1
2012/0223560 A1 * 9/2012 Hetzel et al. 297/285

* cited by examiner

Primary Examiner — Ian Simmons

Assistant Examiner — Charles Hanson

(74) *Attorney, Agent, or Firm* — Bay State IP, LLC

(57) **CLAIM**

I claim the ornamental design for an activity support, as shown and described.

DESCRIPTION

FIG. 1 is a top perspective view showing my new design;

FIG. 2 is a bottom perspective view thereof;

FIG. 3 is a front view thereof;

FIG. 4 is a back view thereof;

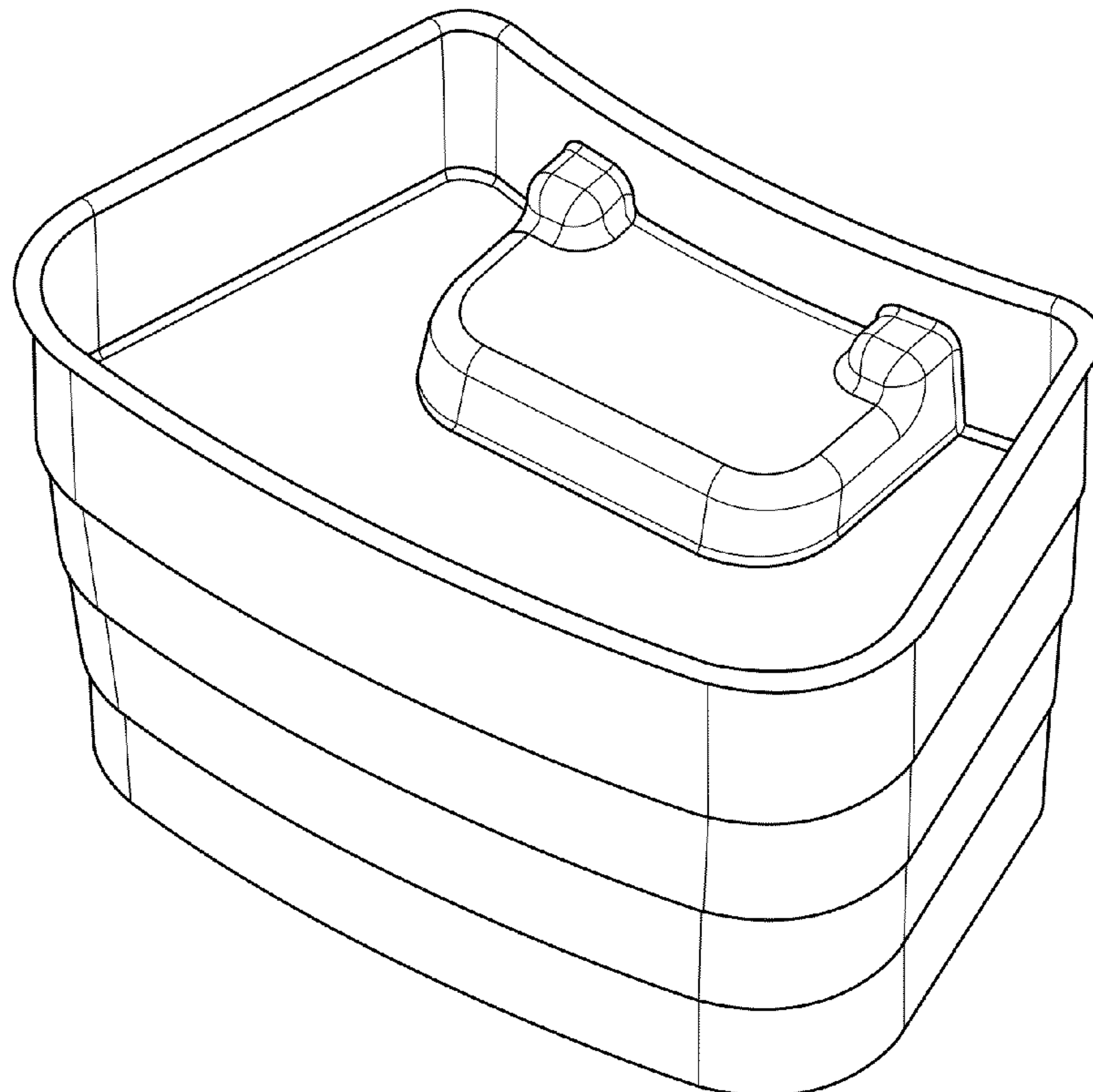
FIG. 5 is a side view thereof;

FIG. 6 is a side view thereof; and,

FIG. 7 is a perspective side view thereof.

The broken lines are included for the purpose of illustrating portions of the activity support and form no part of the claimed design.

1 Claim, 4 Drawing Sheets



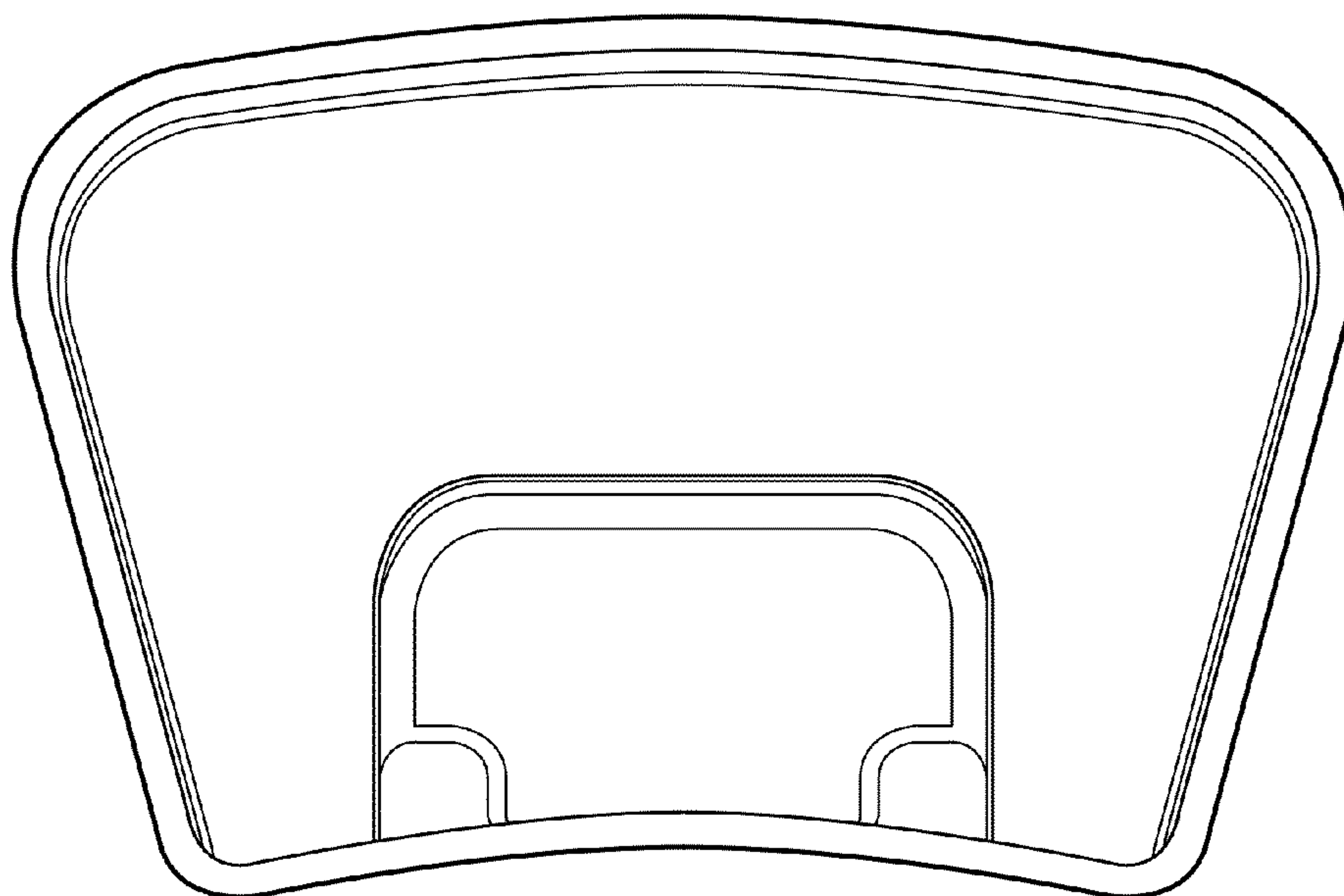


Fig. 1

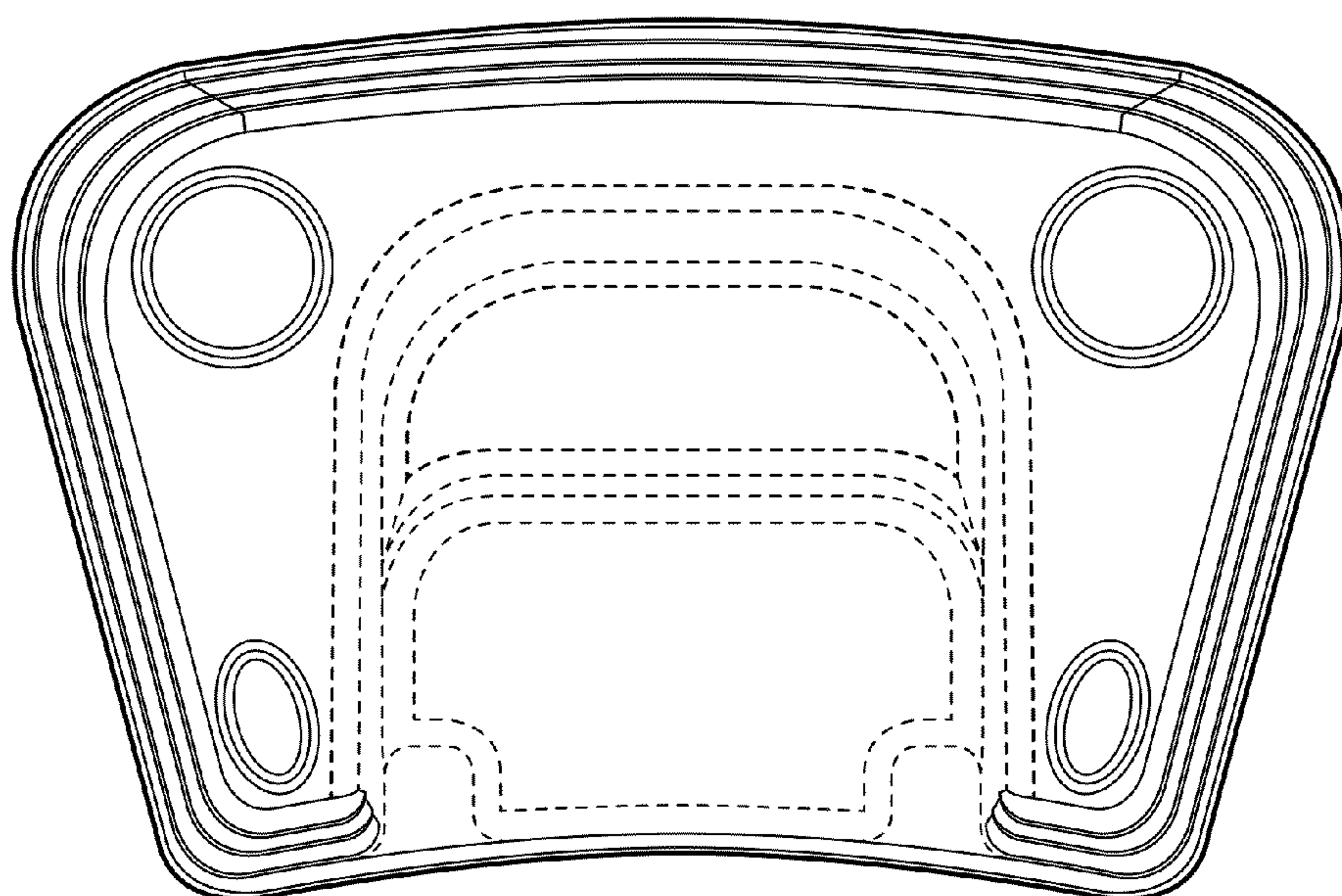


Fig. 2

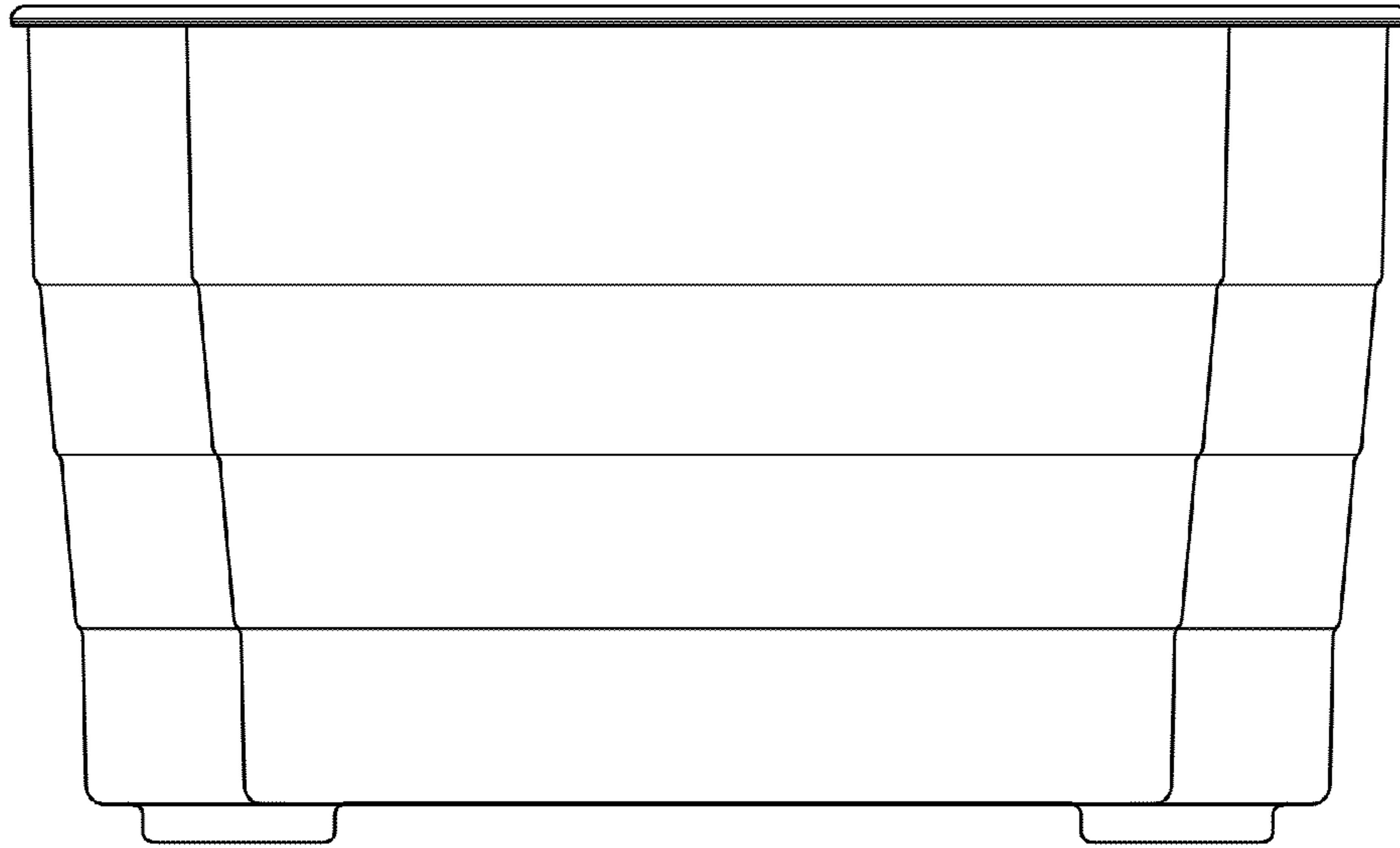


Fig. 3

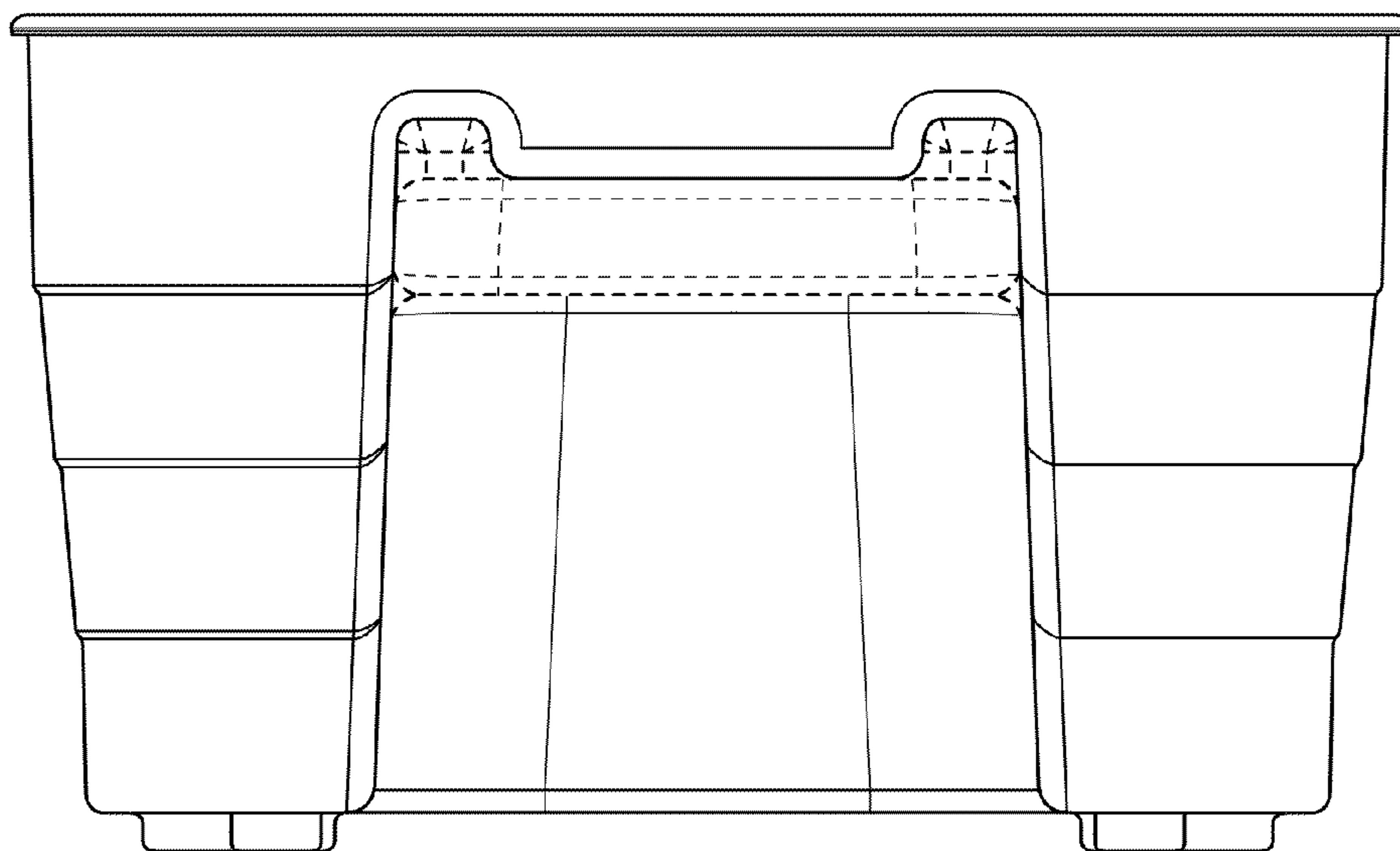


Fig. 4

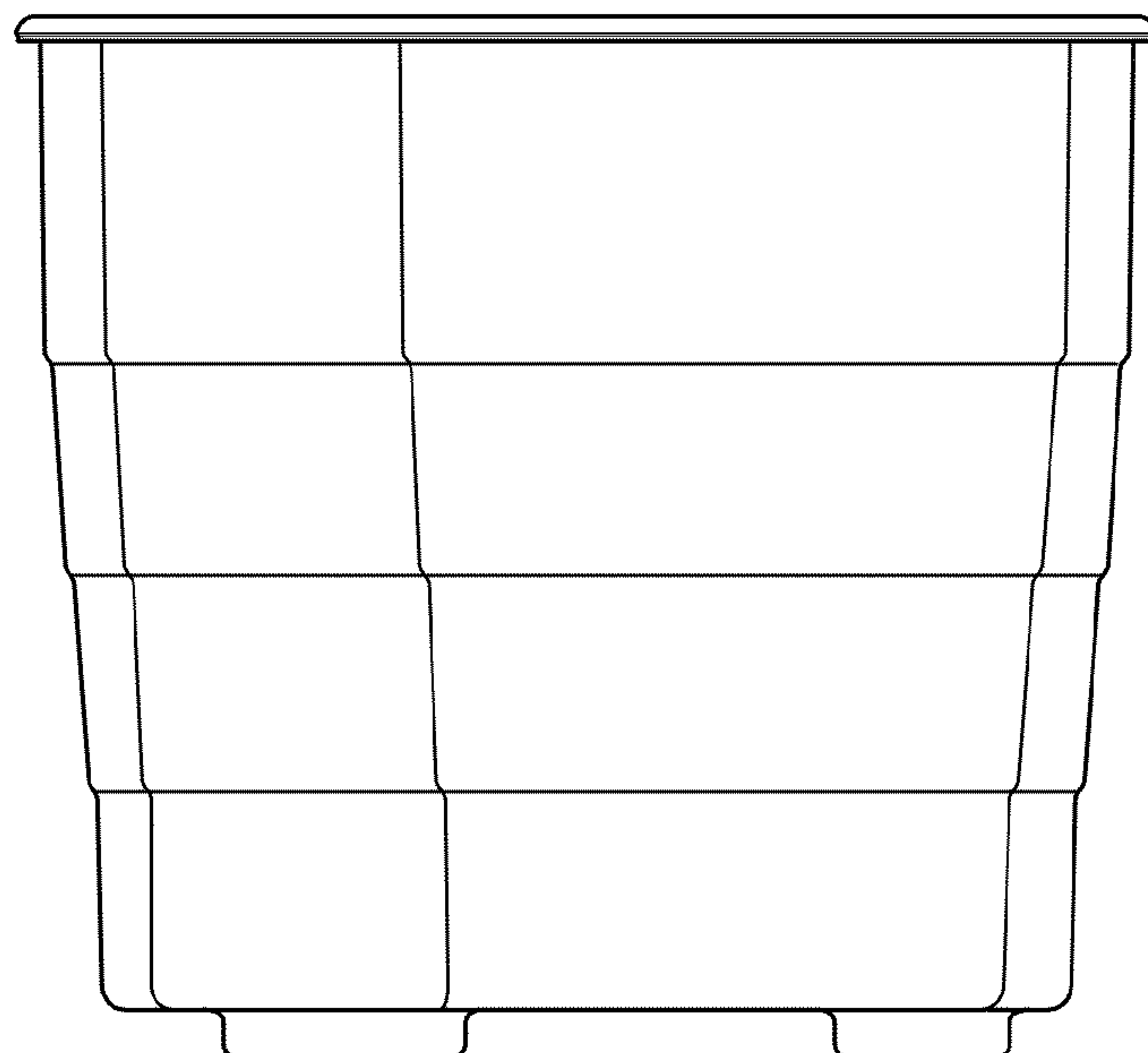


Fig. 5

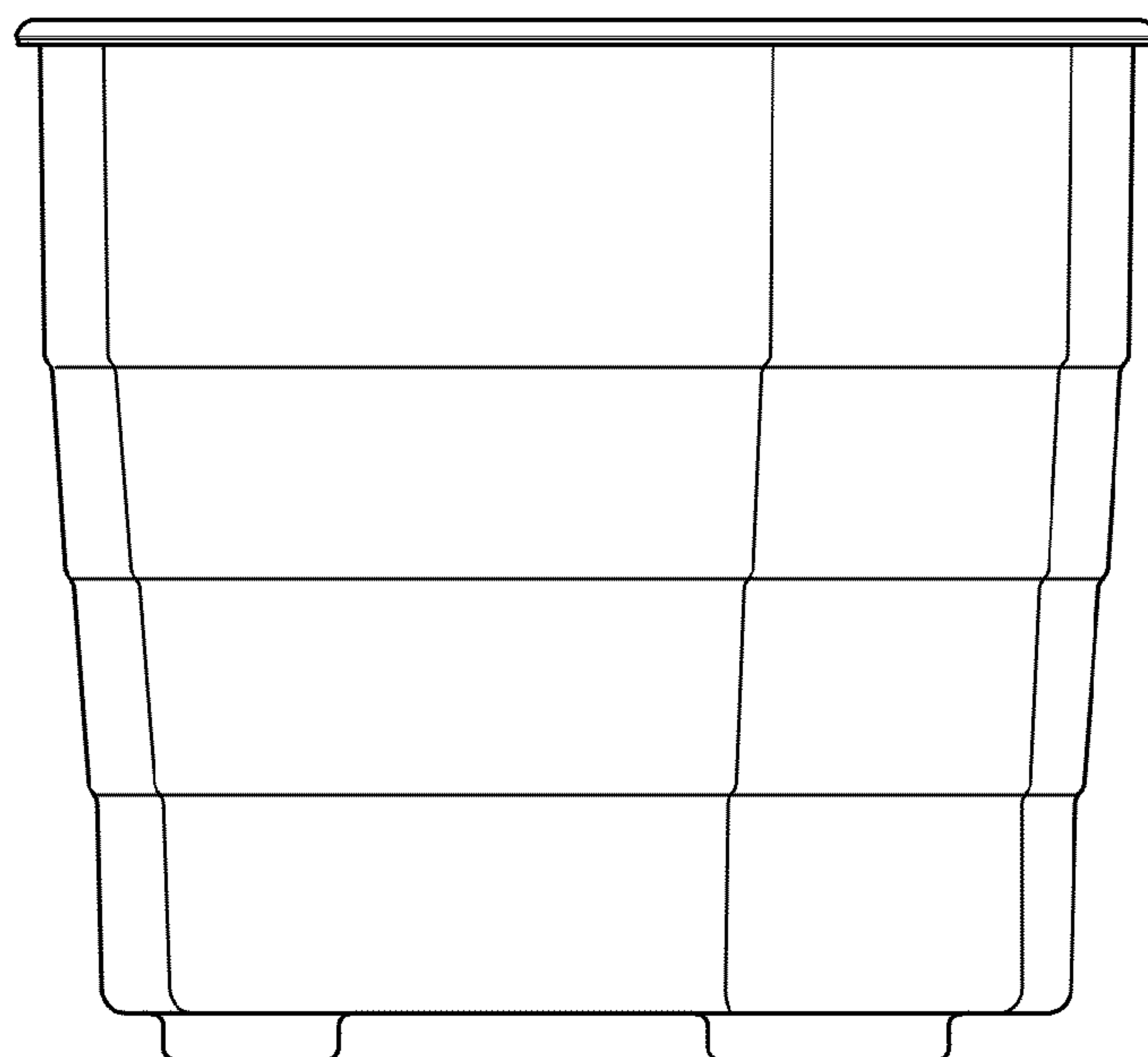


Fig. 6

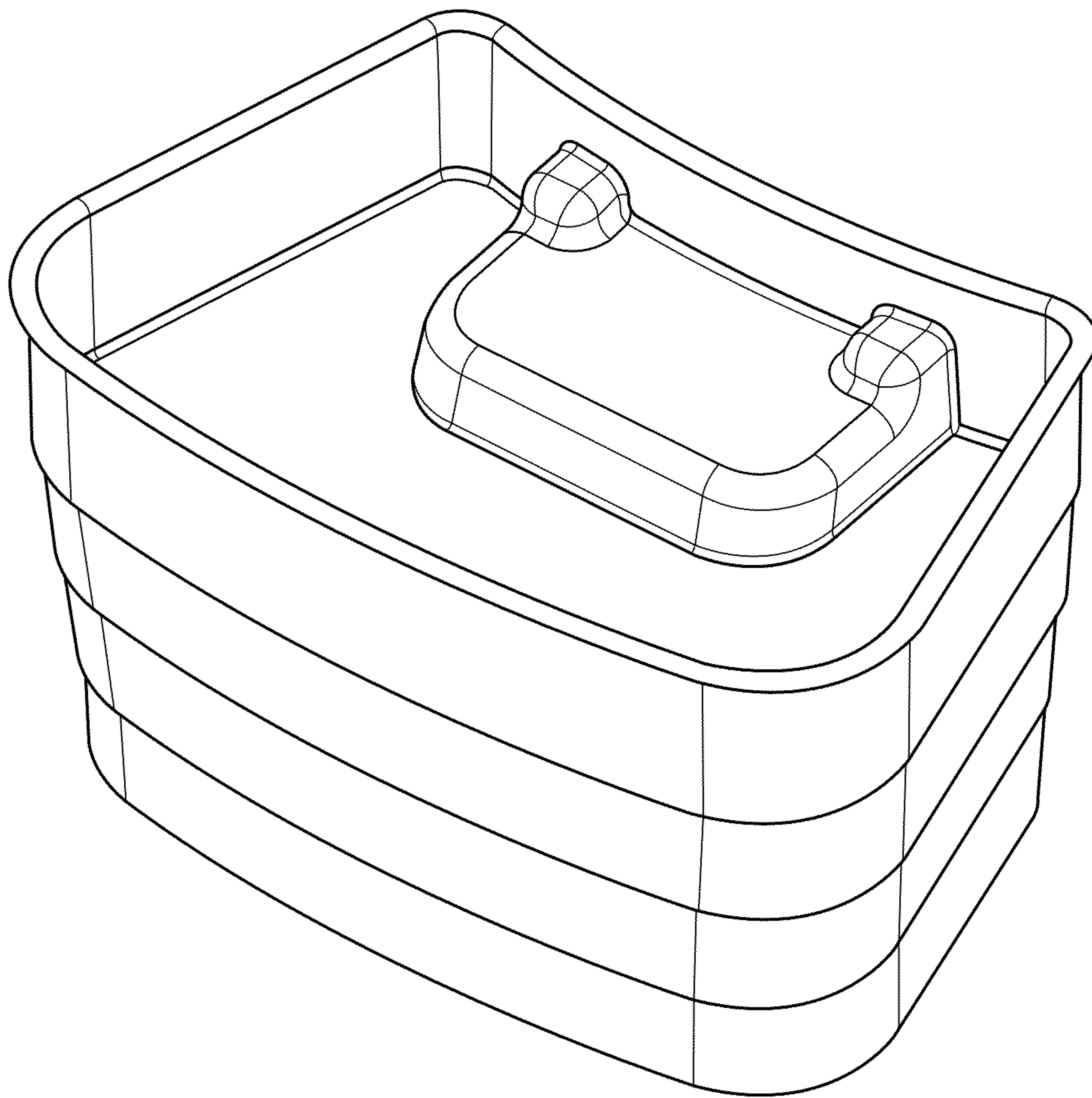


Fig. 7