



US00D720661S

(12) **United States Design Patent**
Siao et al.

(10) **Patent No.:** **US D720,661 S**
(45) **Date of Patent:** **** Jan. 6, 2015**

- (54) **ELECTRIC SCOOTER BODY**
- (71) Applicant: **Kwang Yang Motor Co., Ltd.,**
Kaohsiung (TW)
- (72) Inventors: **Bo-Wun Siao, Kaohsiung (TW);**
Chieh-Mao Chang, Kaohsiung (TW)
- (73) Assignee: **Kwang Yang Motor Co., Ltd.,**
Kaohsiung (TW)
- (**) Term: **14 Years**
- (21) Appl. No.: **29/464,647**
- (22) Filed: **Aug. 20, 2013**
- (51) **LOC (10) Cl.** **12-12**
- (52) **U.S. Cl.**
USPC **D12/131**
- (58) **Field of Classification Search**
USPC D12/128-133; 280/62, 647-650, 29,
280/200, 47.38, 250.1, 259, 642, 658;
296/65.03, 65.04; 224/409
See application file for complete search history.

6,938,923 B2 *	9/2005	Mulhern et al.	280/755
7,040,429 B2 *	5/2006	Molnar	180/65.1
D569,769 S *	5/2008	Chiu et al.	D12/131
7,370,876 B2 *	5/2008	Hsu et al.	280/650
D590,304 S *	4/2009	Kruse	D12/131

* cited by examiner

Primary Examiner — Ian Simmons

Assistant Examiner — Charles Hanson

(74) *Attorney, Agent, or Firm* — Leong C. Lei

(57) **CLAIM**

The ornamental design for a electric scooter body, as shown and described.

DESCRIPTION

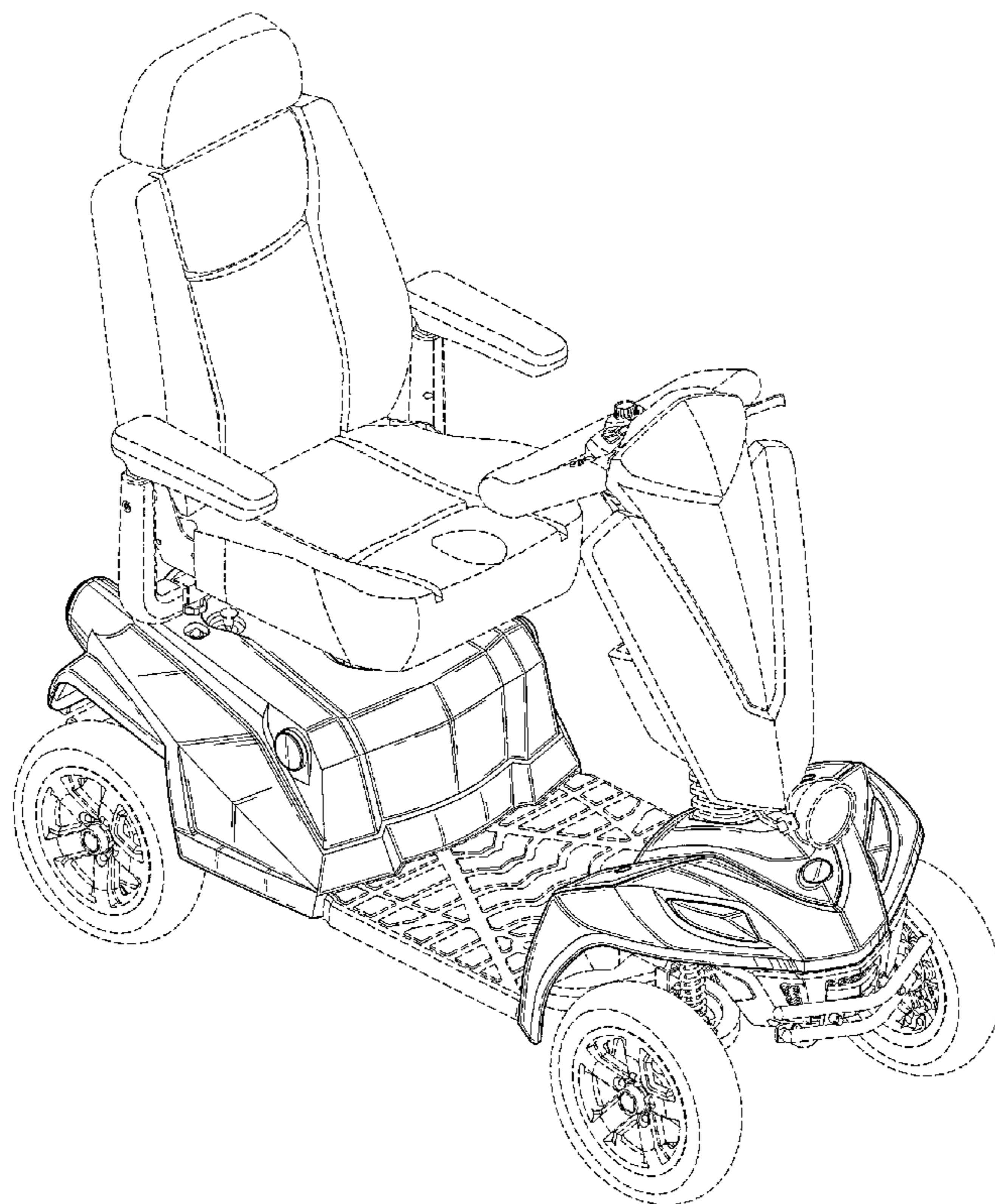
FIG. 1 is a perspective view of a electric scooter body showing my new design;
 FIG. 2 is a front elevational view thereof;
 FIG. 3 is a rear elevational view thereof;
 FIG. 4 is a left side elevational view thereof;
 FIG. 5 is a right side elevational view thereof;
 FIG. 6 is a top plan view thereof; and,
 FIG. 7 is a bottom plan view thereof.
 The broken line showing of the chair, wheels, footrest platform, dashboard, front panel, and undercarriage is included for the purpose of illustrating environment and forms no part of the claimed design.

1 Claim, 7 Drawing Sheets

(56) **References Cited**

U.S. PATENT DOCUMENTS

D287,836 S *	1/1987	Chan et al.	D12/131
D356,530 S *	3/1995	Bee et al.	D12/131
D404,693 S *	1/1999	Schaffner	D12/131
6,152,478 A *	11/2000	Hung	280/650
D462,639 S *	9/2002	Lin	D12/131



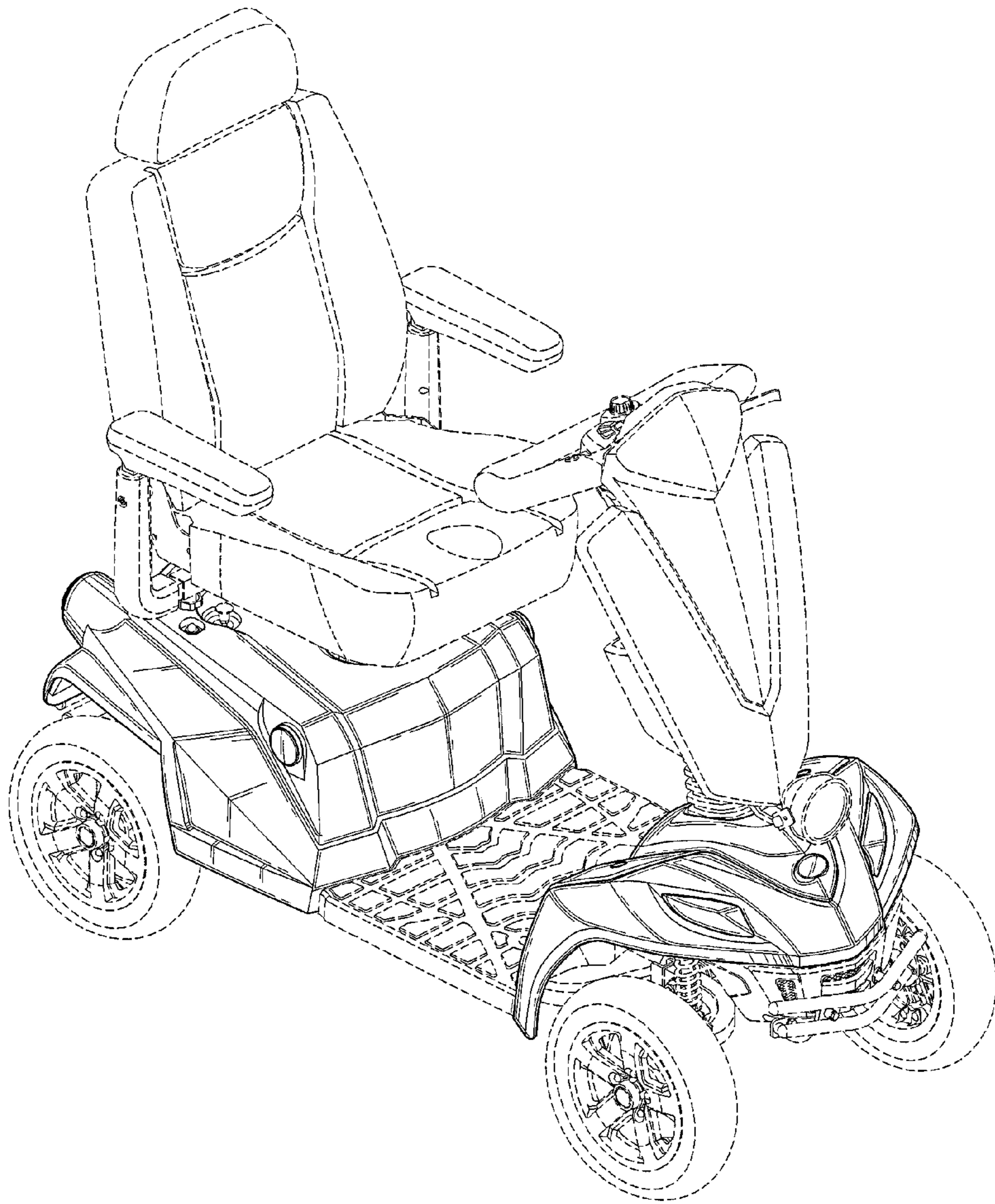


FIG.1

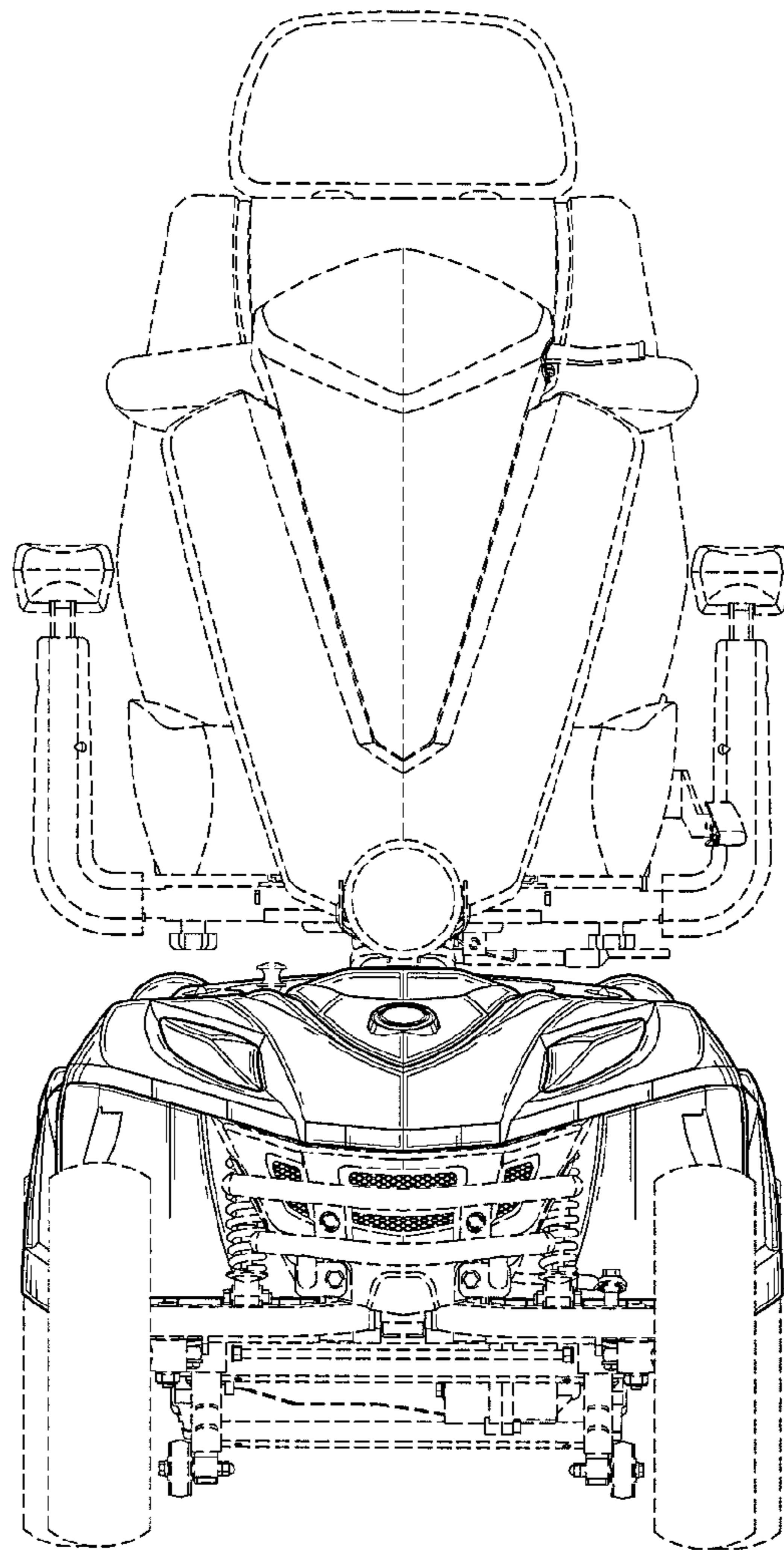


FIG.2

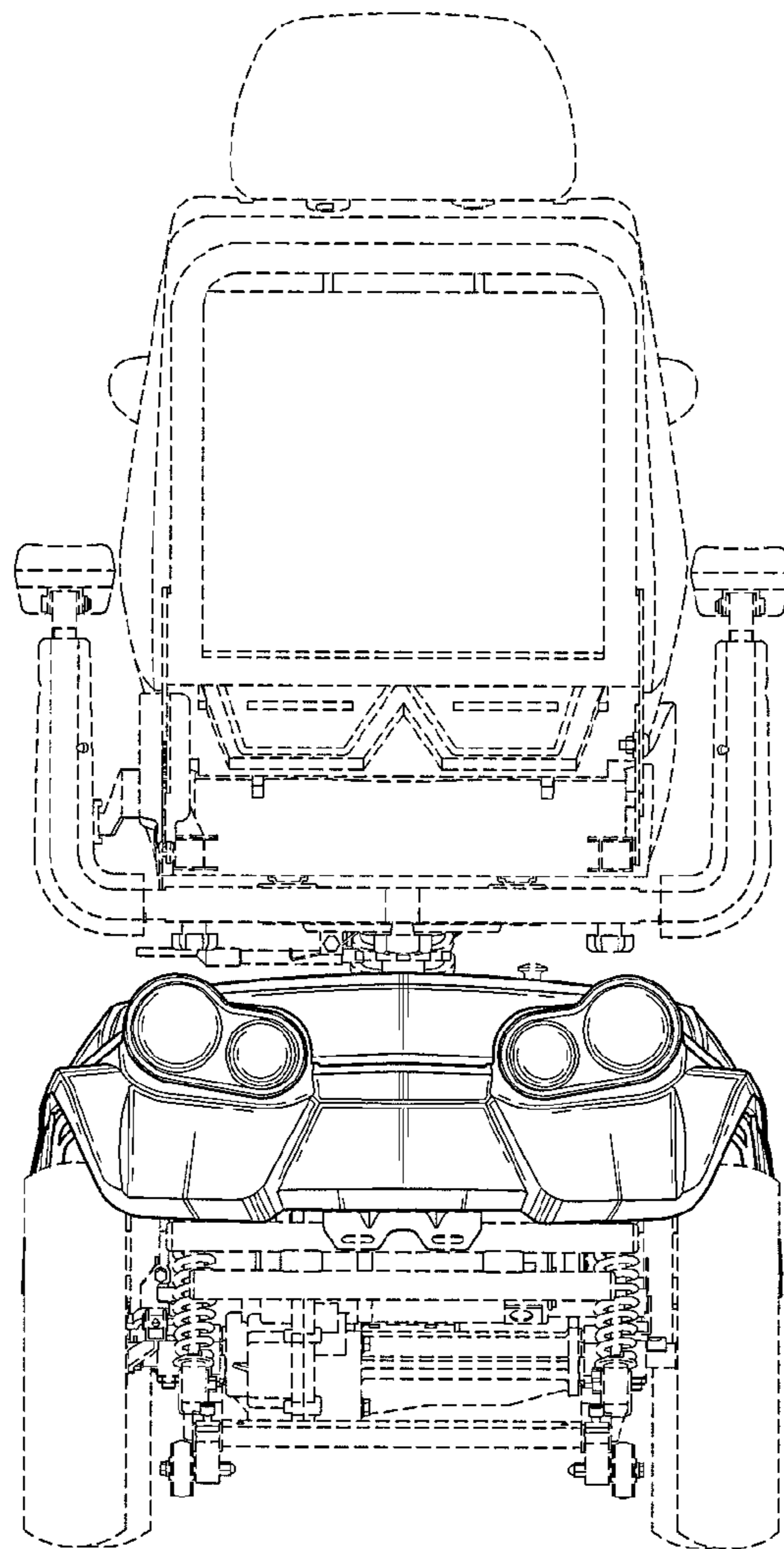


FIG.3

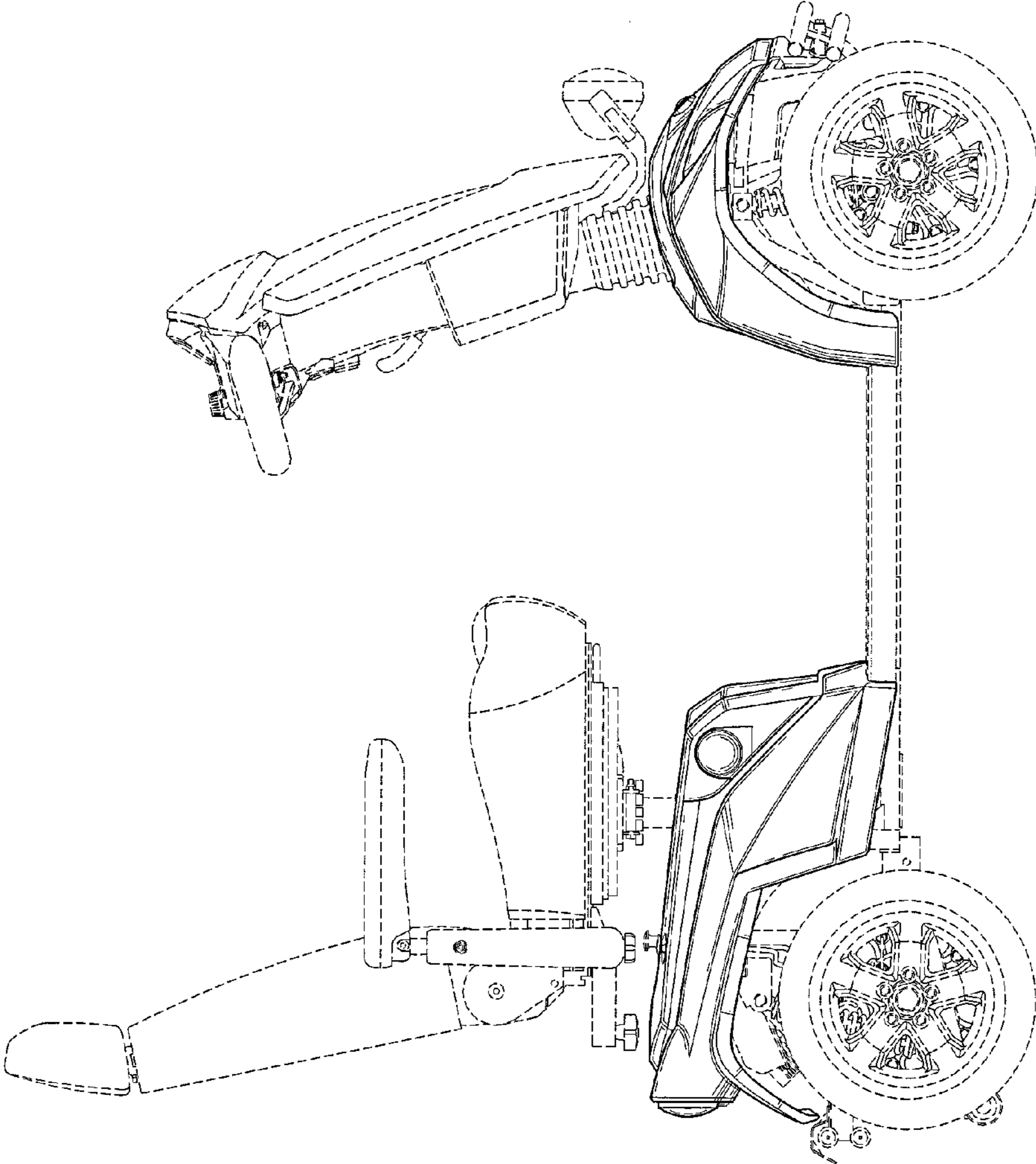


FIG.4

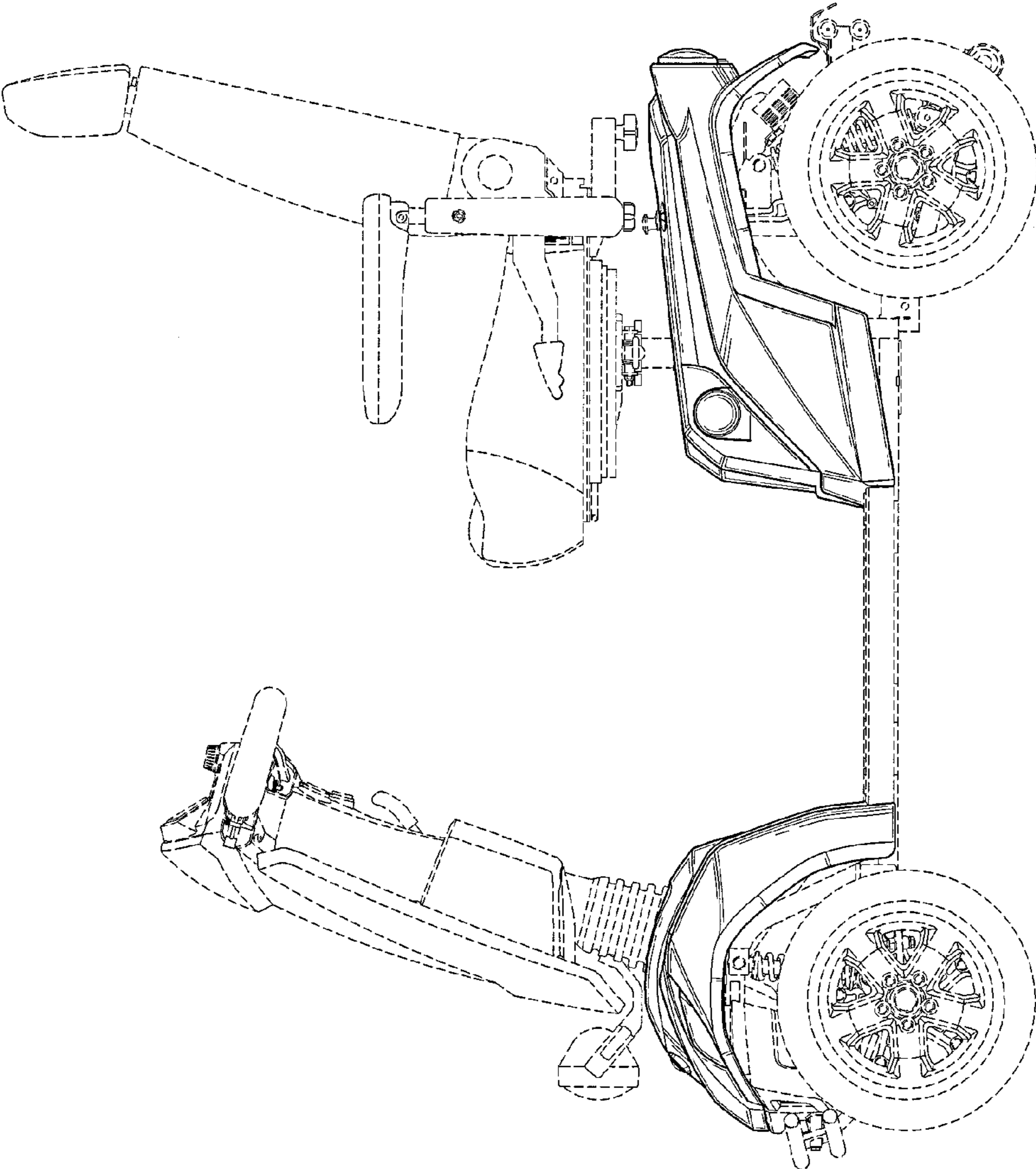


FIG.5

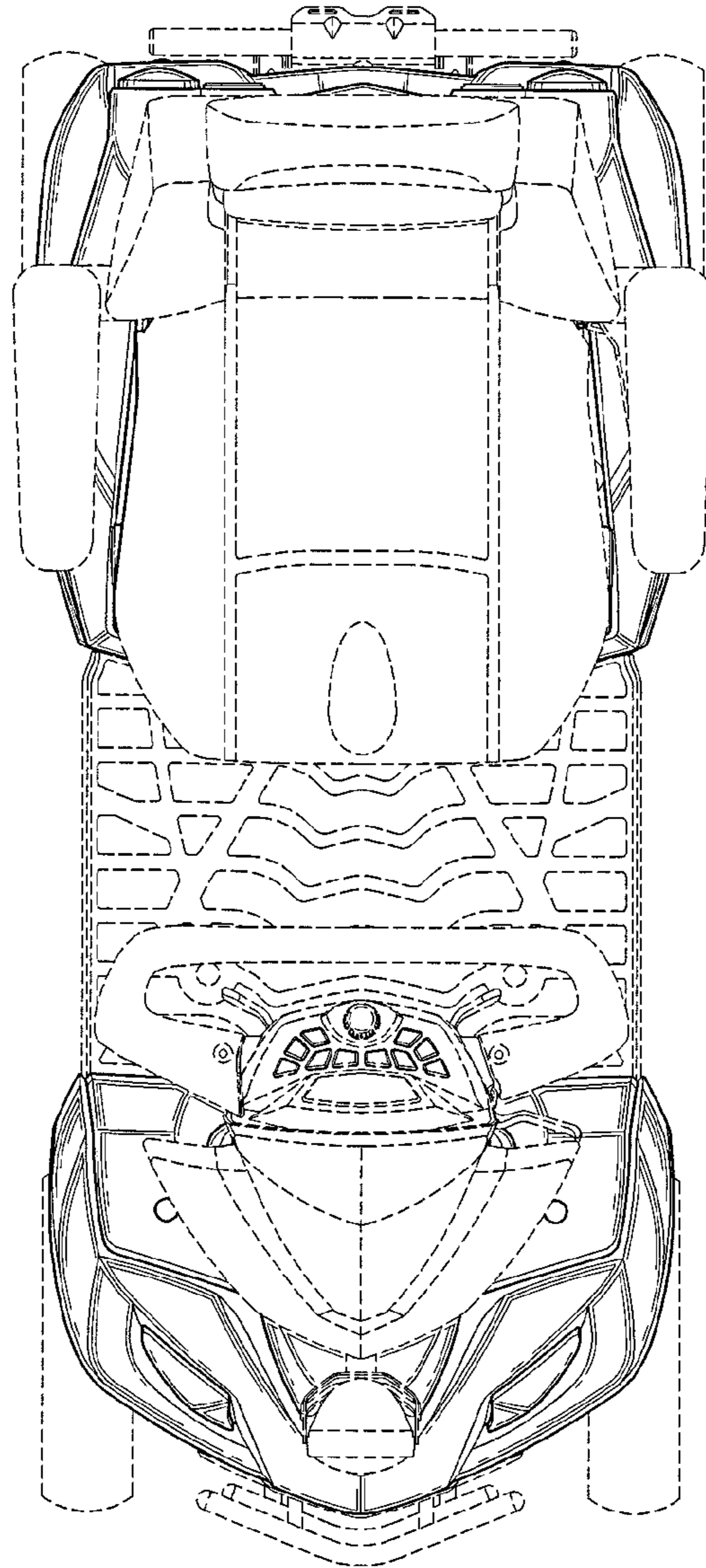


FIG.6

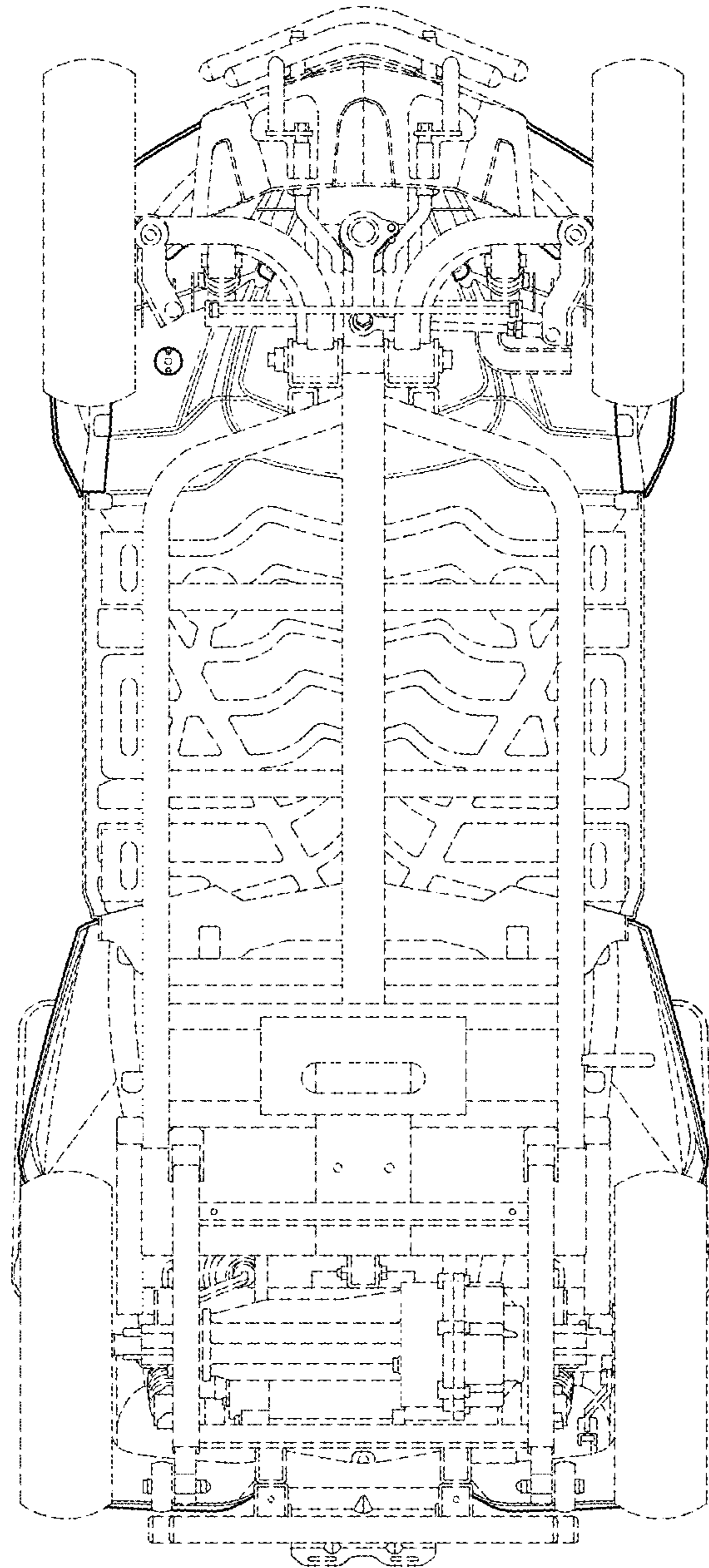


FIG.7