



US00D720660S

(12) **United States Design Patent**  
**Siao et al.**

(10) **Patent No.:** **US D720,660 S**  
(45) **Date of Patent:** **\*\* Jan. 6, 2015**

(54) **ELECTRIC SCOOTER**

(71) Applicant: **Kwang Yang Motor Co., Ltd.,**  
Kaohsiung (TW)

(72) Inventors: **Bo-Wun Siao, Kaohsiung (TW);**  
**Chieh-Mao Chang, Kaohsiung (TW)**

(73) Assignee: **Kwang Yang Motor Co., Ltd.,**  
Kaohsiung (TW)

(\*\*) Term: **14 Years**

(21) Appl. No.: **29/464,641**

(22) Filed: **Aug. 20, 2013**

(51) **LOC (10) Cl.** ..... **12-12**

(52) **U.S. Cl.**  
USPC ..... **D12/131**

(58) **Field of Classification Search**  
USPC ..... D12/128-133; 280/62, 647-650, 29,  
280/200, 47.38, 250.1, 259, 642, 658;  
296/65.03, 65.04; 224/409

See application file for complete search history.

(56) **References Cited**

**U.S. PATENT DOCUMENTS**

D287,836 S \* 1/1987 Chan et al. .... D12/131  
D356,530 S \* 3/1995 Bee et al. .... D12/131  
D404,693 S \* 1/1999 Schaffner ..... D12/131

6,152,478 A \* 11/2000 Hung ..... 280/650  
D462,639 S \* 9/2002 Lin ..... D12/131  
6,938,923 B2 \* 9/2005 Mulhern et al. .... 280/755  
7,040,429 B2 \* 5/2006 Molnar ..... 180/65.1  
D569,769 S \* 5/2008 Chiu et al. .... D12/131  
7,370,876 B2 \* 5/2008 Hsu et al. .... 280/650  
D590,304 S \* 4/2009 Kruse ..... D12/131

\* cited by examiner

*Primary Examiner* — Ian Simmons

*Assistant Examiner* — Charles Hanson

(74) *Attorney, Agent, or Firm* — Leong C. Lei

(57) **CLAIM**

The ornamental design for a electric scooter, as shown and described.

**DESCRIPTION**

FIG. 1 is a perspective view of a electric scooter showing my new design;

FIG. 2 is a front elevational view thereof;

FIG. 3 is a rear elevational view thereof;

FIG. 4 is a left side elevational view thereof;

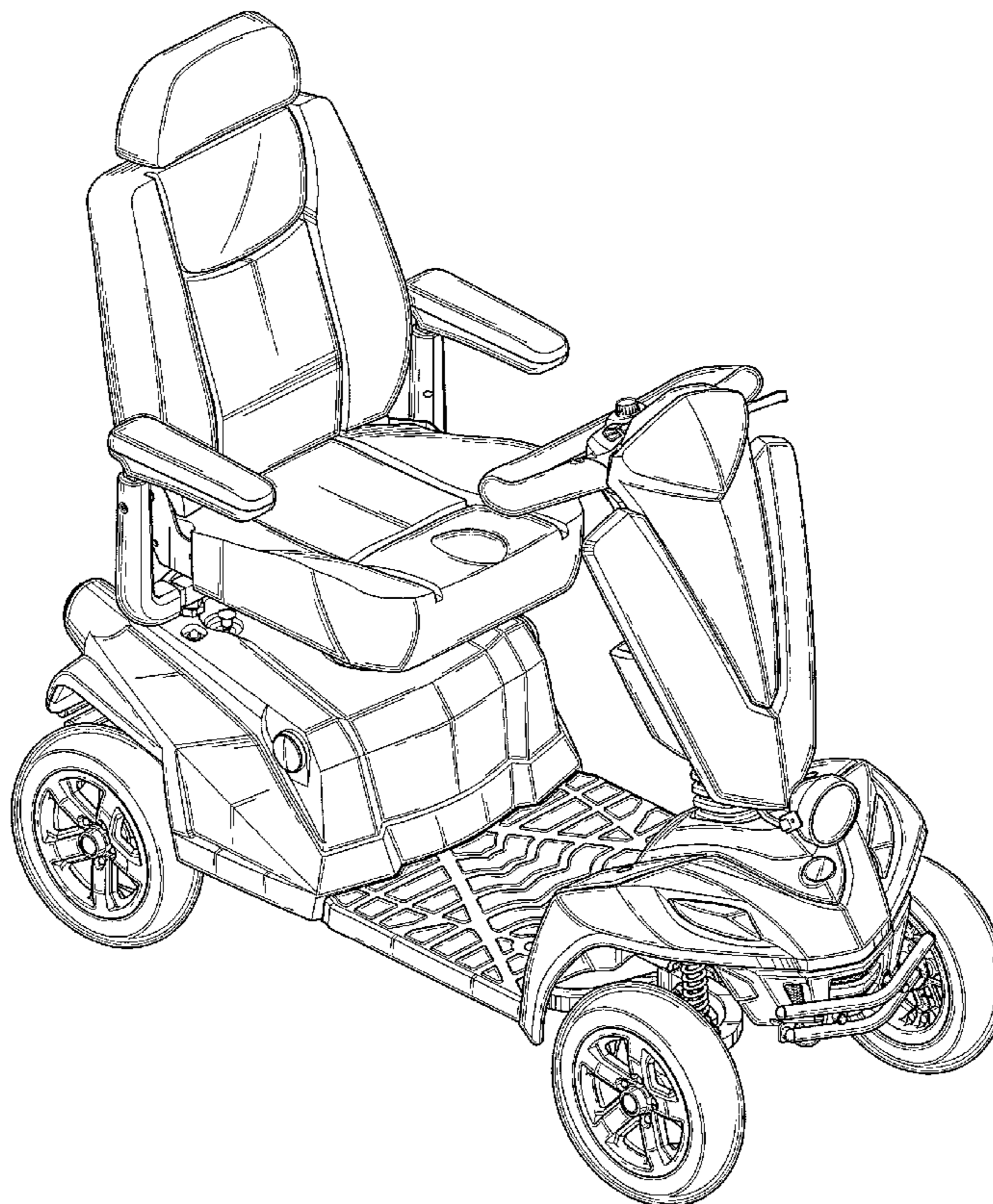
FIG. 5 is a right side elevational view thereof;

FIG. 6 is a top plan view thereof; and,

FIG. 7 is a bottom plan view thereof.

The broken line showing is included for the purpose of illustrating environment and forms no part of the claimed design.

**1 Claim, 7 Drawing Sheets**



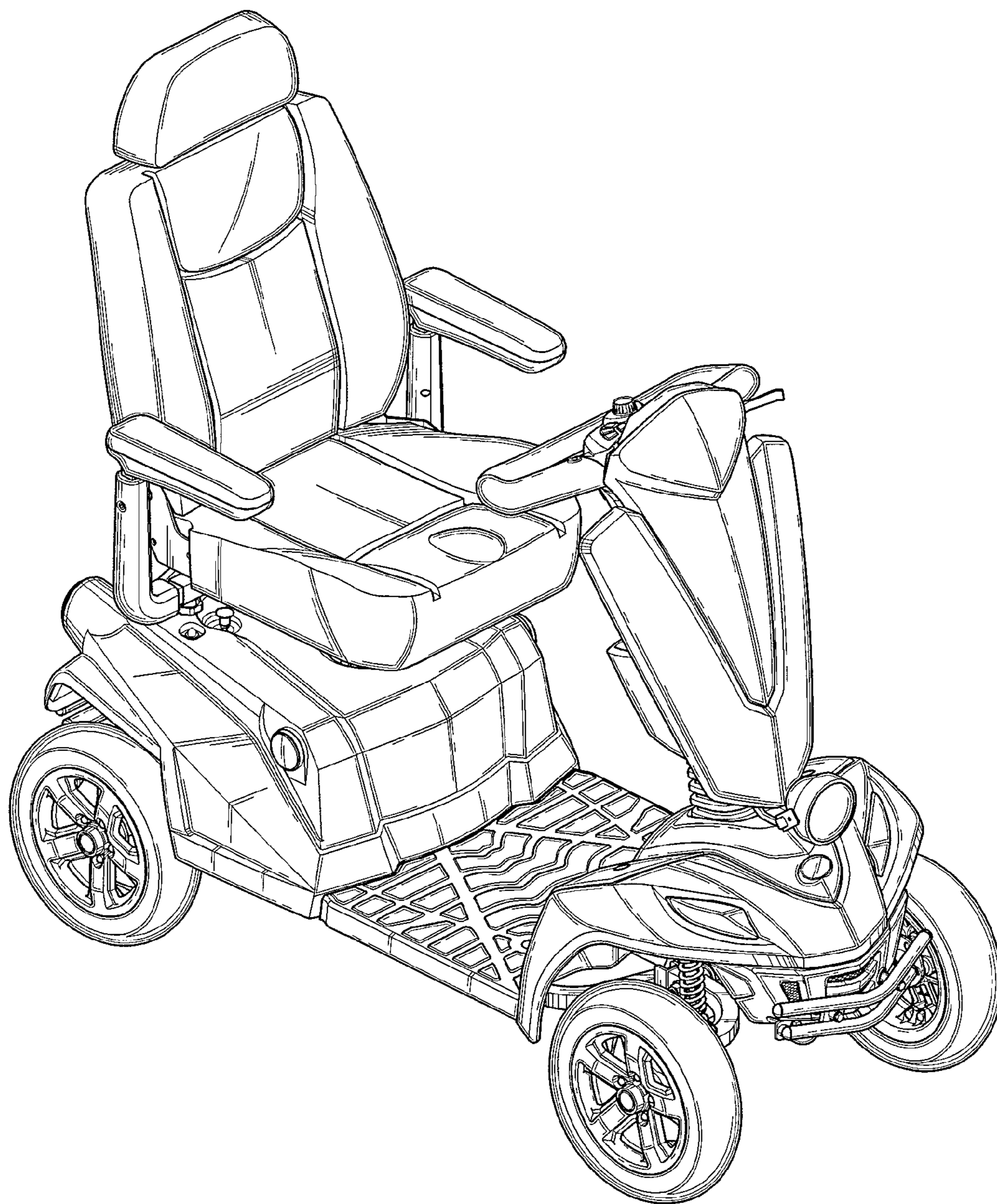


FIG.1

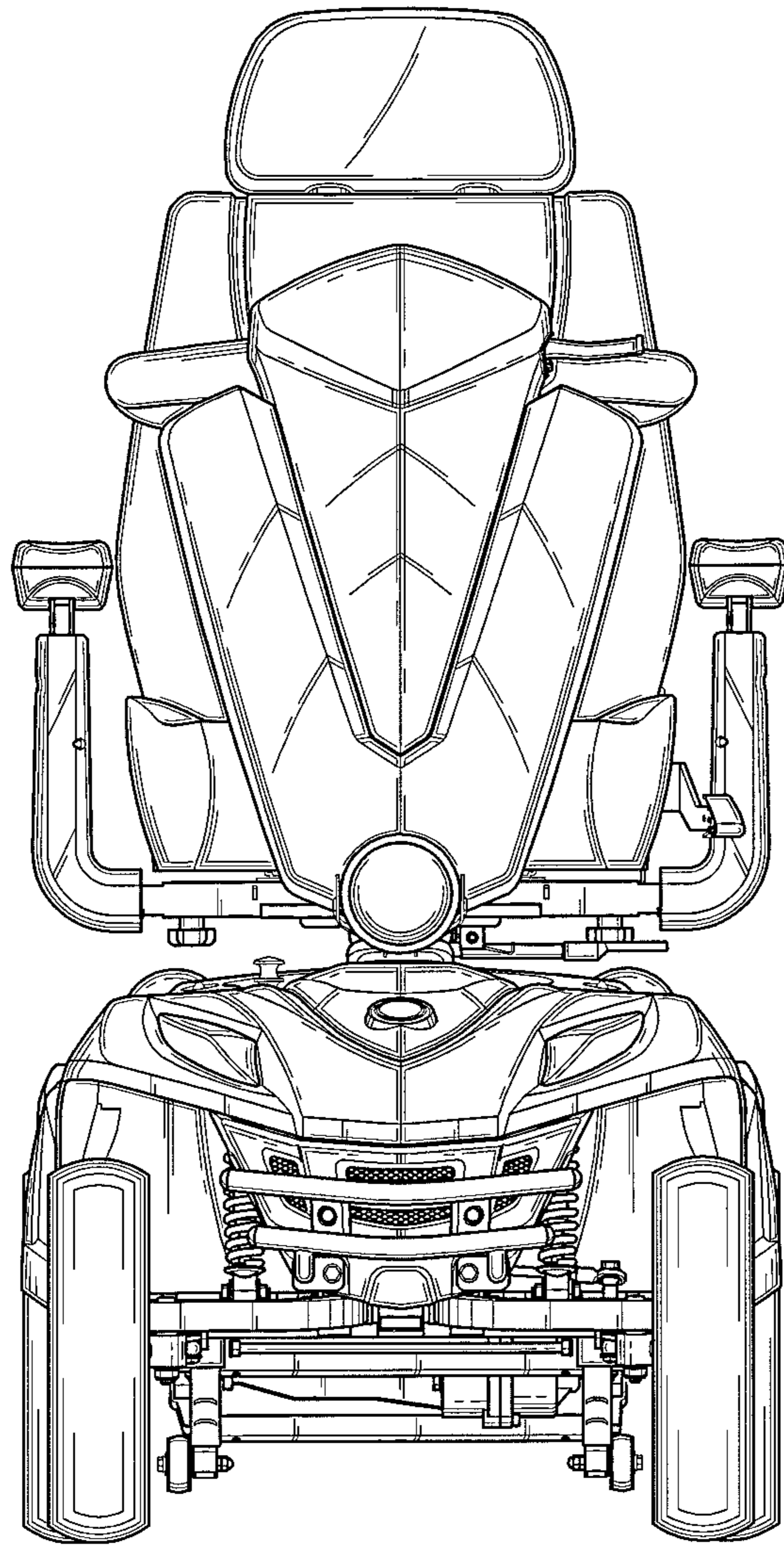


FIG.2

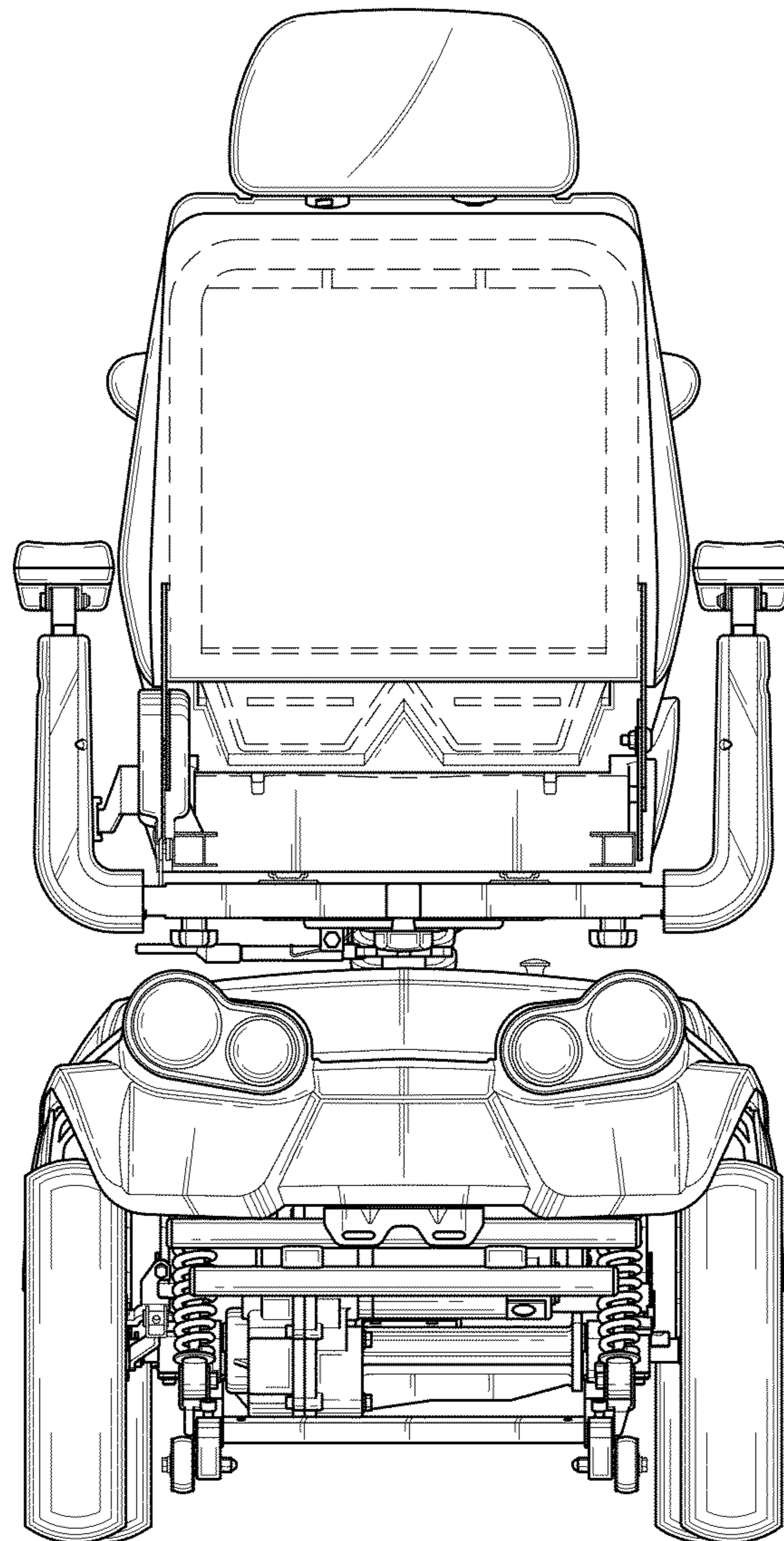


FIG.3

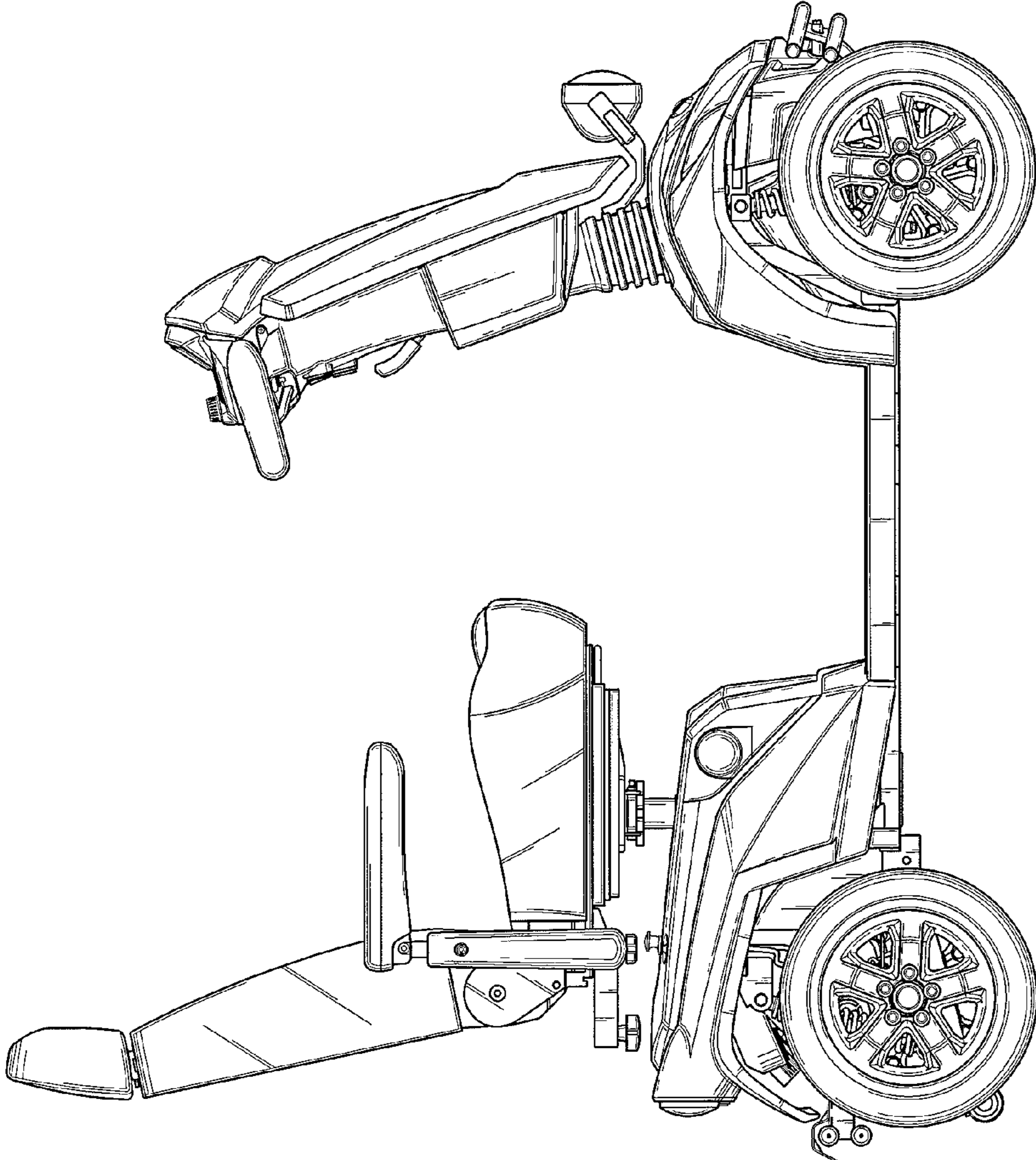


FIG. 4

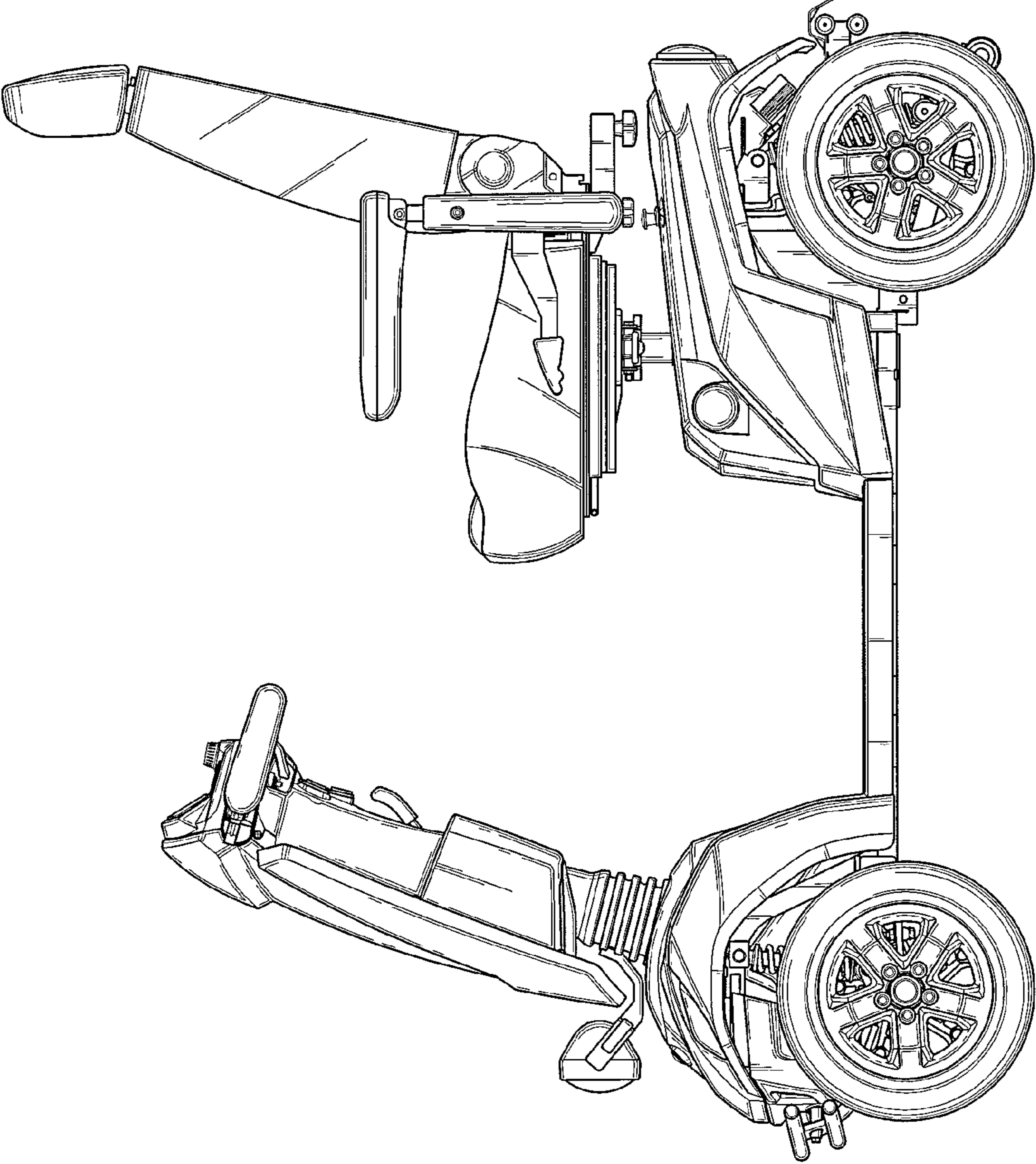


FIG.5

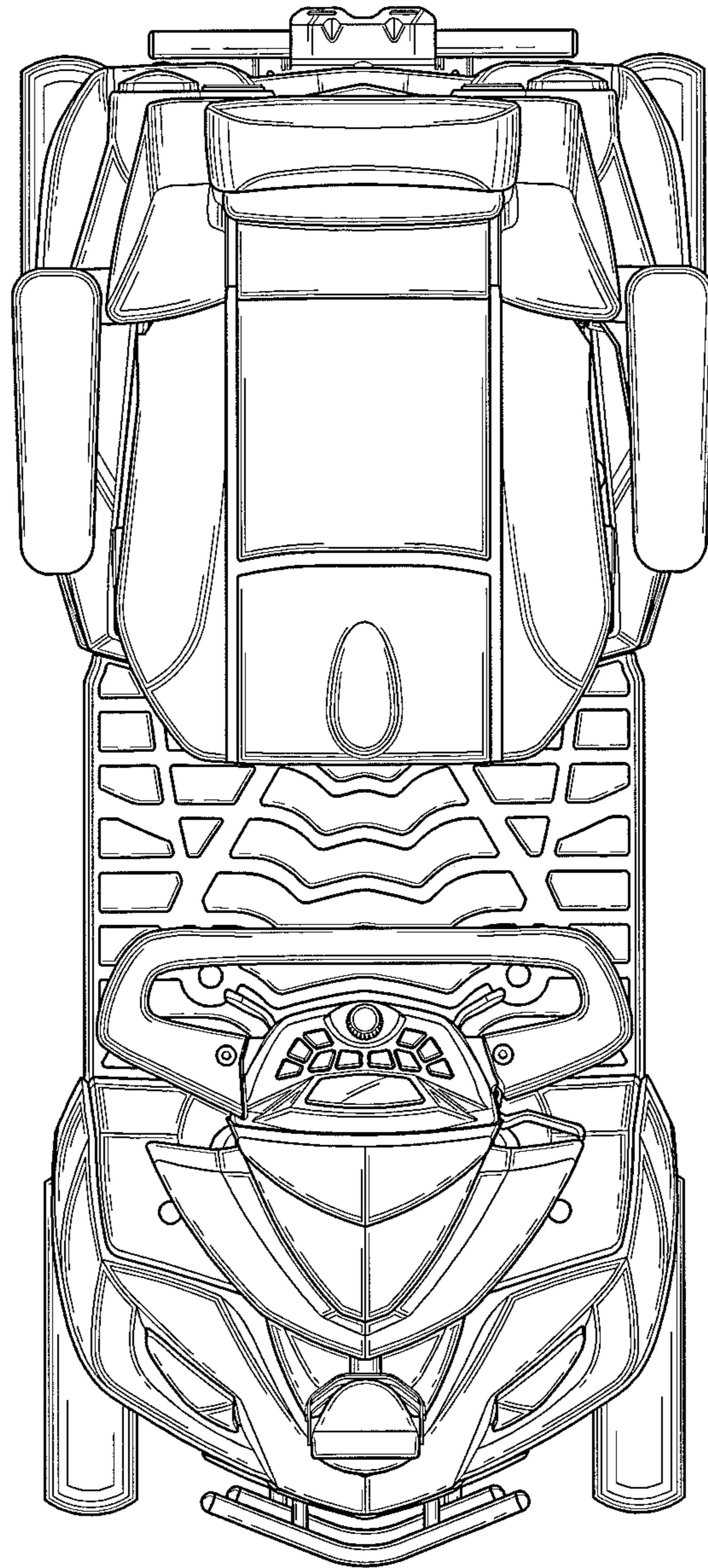


FIG.6

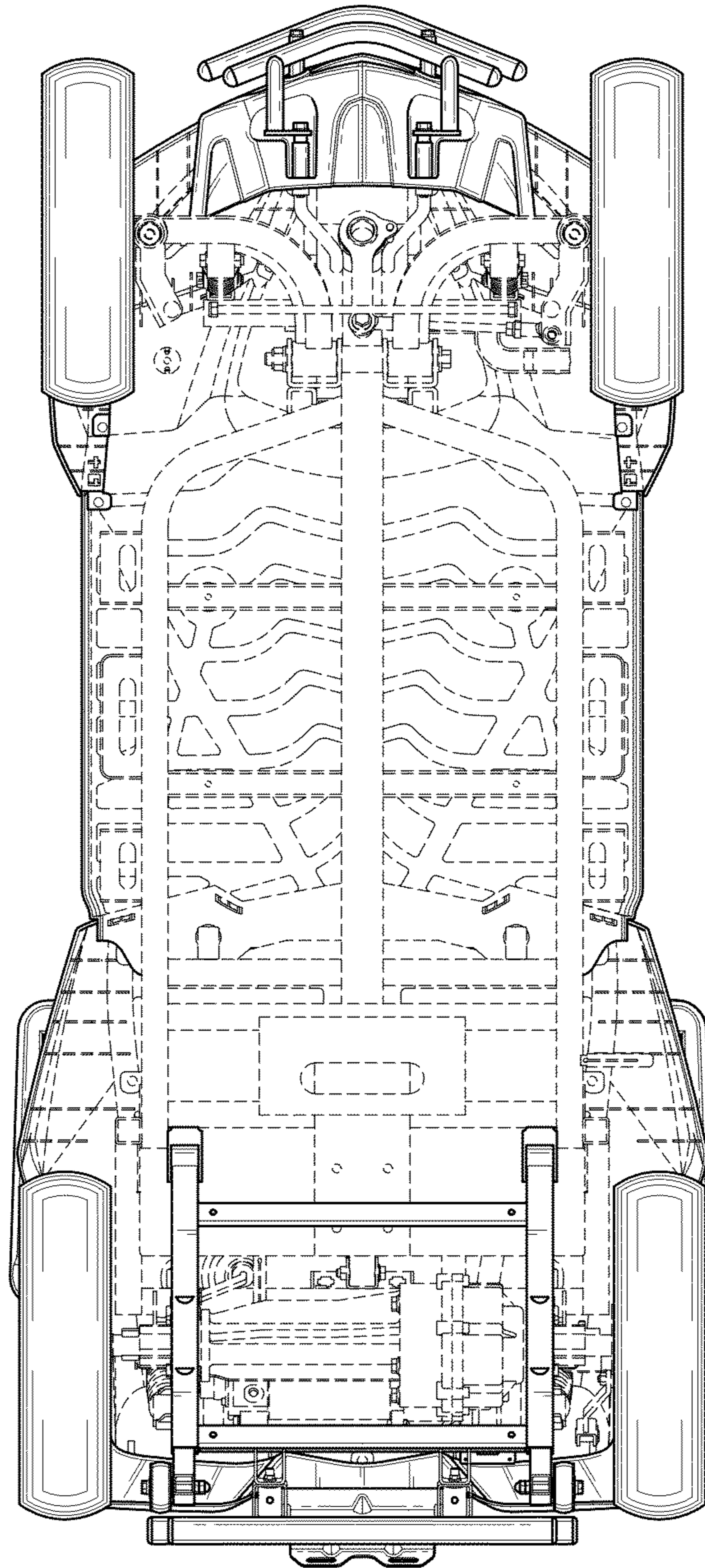


FIG. 7