



US00D720658S

(12) **United States Design Patent**
Cornell

(10) **Patent No.:** **US D720,658 S**
(45) **Date of Patent:** **** Jan. 6, 2015**

- (54) **BIKE FRONT PLATE**
- (71) Applicant: **Bryan D Cornell**, Wake Forest, NC (US)
- (72) Inventor: **Bryan D Cornell**, Wake Forest, NC (US)
- (**) Term: **14 Years**
- (21) Appl. No.: **29/468,865**
- (22) Filed: **Oct. 3, 2013**
- (51) **LOC (10) Cl.** **12-11**
- (52) **U.S. Cl.**
USPC **D12/114**
- (58) **Field of Classification Search**
USPC D12/114, 115, 182; D21/420, 620, 658,
D21/416, 424, 435, 447-452, 533-560;
446/227, 279, 28, 487, 60, 268, 269,
446/275; 40/204, 556; 224/418, 447, 459,
224/420, 446, 413, 435, 441, 444, 457;
211/30; 74/551.8; 248/552; 116/215;
70/59; 416/193 R, 192, 195, 236 A,
416/236 R
See application file for complete search history.

(56) **References Cited**

U.S. PATENT DOCUMENTS

1,381,061	A *	6/1921	Brown et al.	280/87.021
1,424,672	A *	8/1922	Ogrissek	416/193 R
1,986,867	A *	1/1935	Walsh	416/193 R
2,411,271	A *	11/1946	Jackson	416/193 R
2,864,613	A *	12/1958	Porter	446/28
3,724,123	A *	4/1973	Lemelson	446/60
3,837,545	A *	9/1974	Rogers, Jr.	224/446
3,921,323	A *	11/1975	Petty	40/204

D280,838	S *	10/1985	Tapdrup et al.	D21/450
D310,252	S *	8/1990	Zimmerman	D21/450
5,088,633	A *	2/1992	Cunard et al.	224/447
5,211,075	A *	5/1993	Martin-Rossman	74/551.8
D336,664	S *	6/1993	Uchida	D21/450
D430,073	S *	8/2000	McCoy et al.	D12/114
D430,824	S *	9/2000	McCoy et al.	D12/114
D431,210	S *	9/2000	McCoy et al.	D12/114
D431,797	S *	10/2000	McCoy et al.	D12/114
D442,894	S *	5/2001	McCoy et al.	D12/114
D481,335	S *	10/2003	Chen	D12/114
7,985,117	B2 *	7/2011	Leynes	446/268
2004/0045395	A1 *	3/2004	Chen	74/551.8

* cited by examiner

Primary Examiner — Eric Goodman
Assistant Examiner — Ryan Harvey

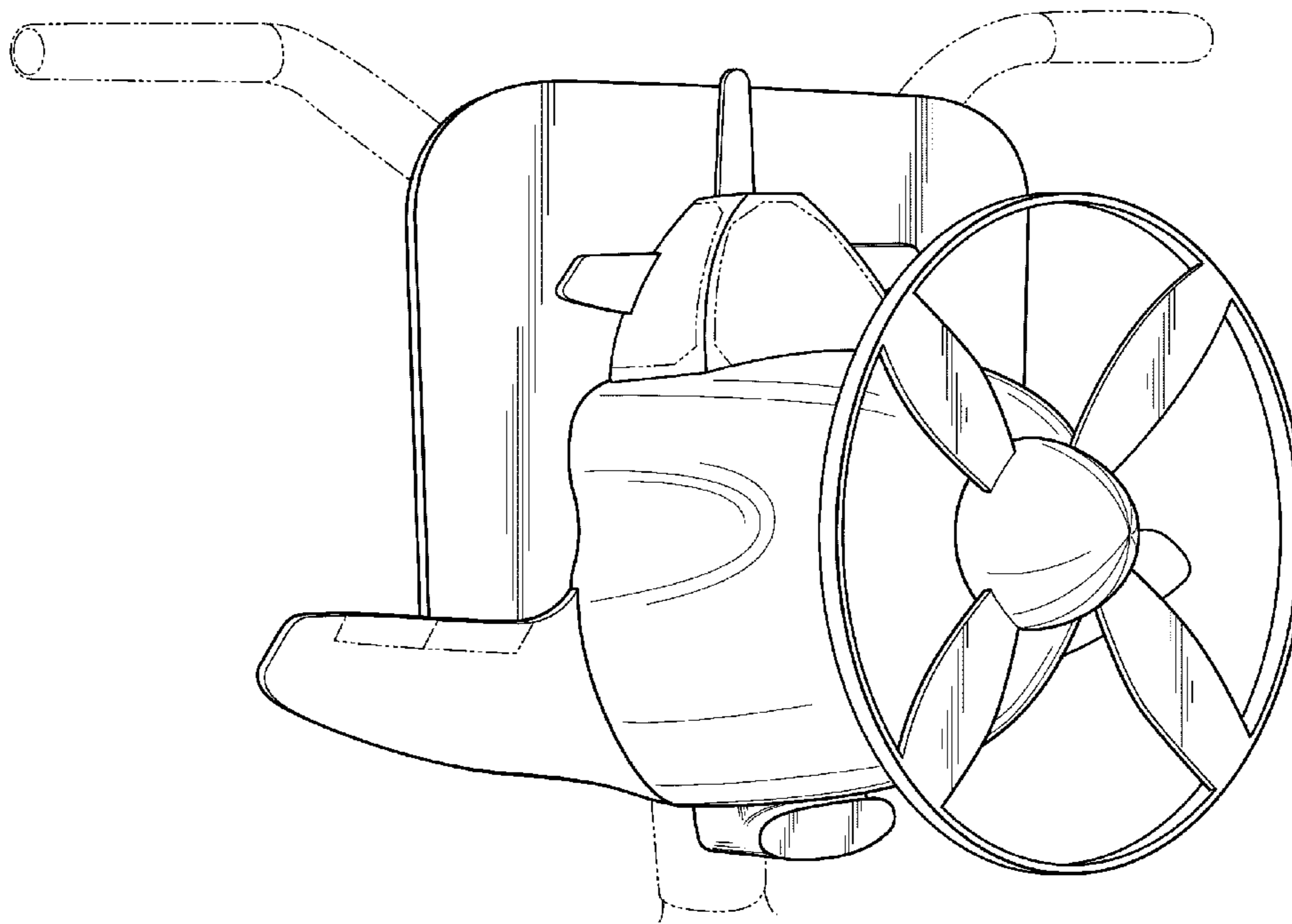
(57) **CLAIM**

I claim a new ornamental design for a bike front plate, as shown and described.

DESCRIPTION

FIG. 1 is a front perspective view of a bike front plate embodying the new design;
 FIG. 2 is a front elevation view of the bike front plate of FIG. 1;
 FIG. 3 is a left side elevation view of the bike front plate of FIG. 1;
 FIG. 4 is a right side elevation view of the bike front plate of FIG. 1;
 FIG. 5 is a top plan view of the bike front plate of FIG. 1; and,
 FIG. 6 is a bottom plan view of the bike front plate of FIG. 1.
 The structure illustrated in broken lines is environmental in nature and forms no part of the claimed design.

1 Claim, 5 Drawing Sheets



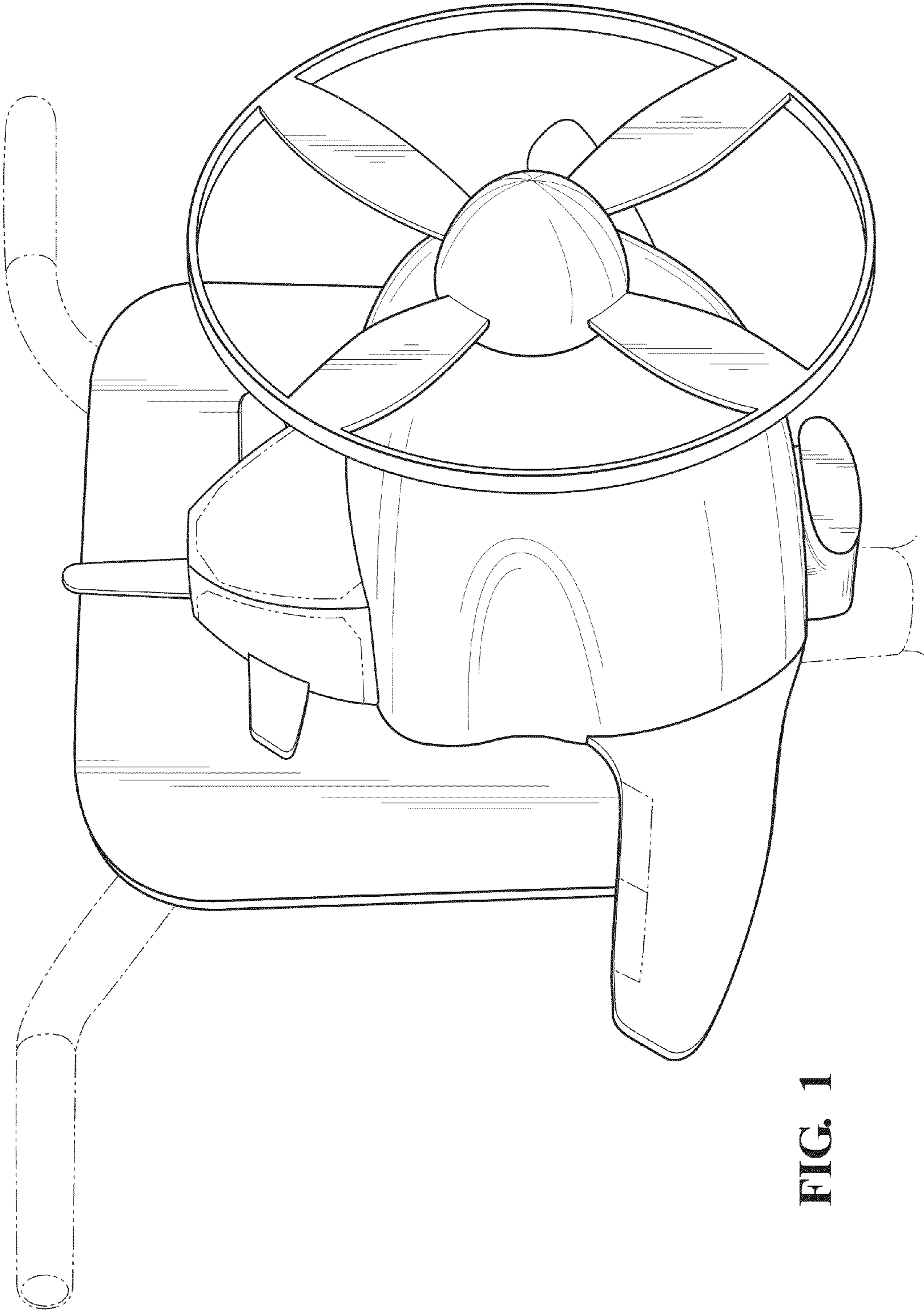


FIG. 1

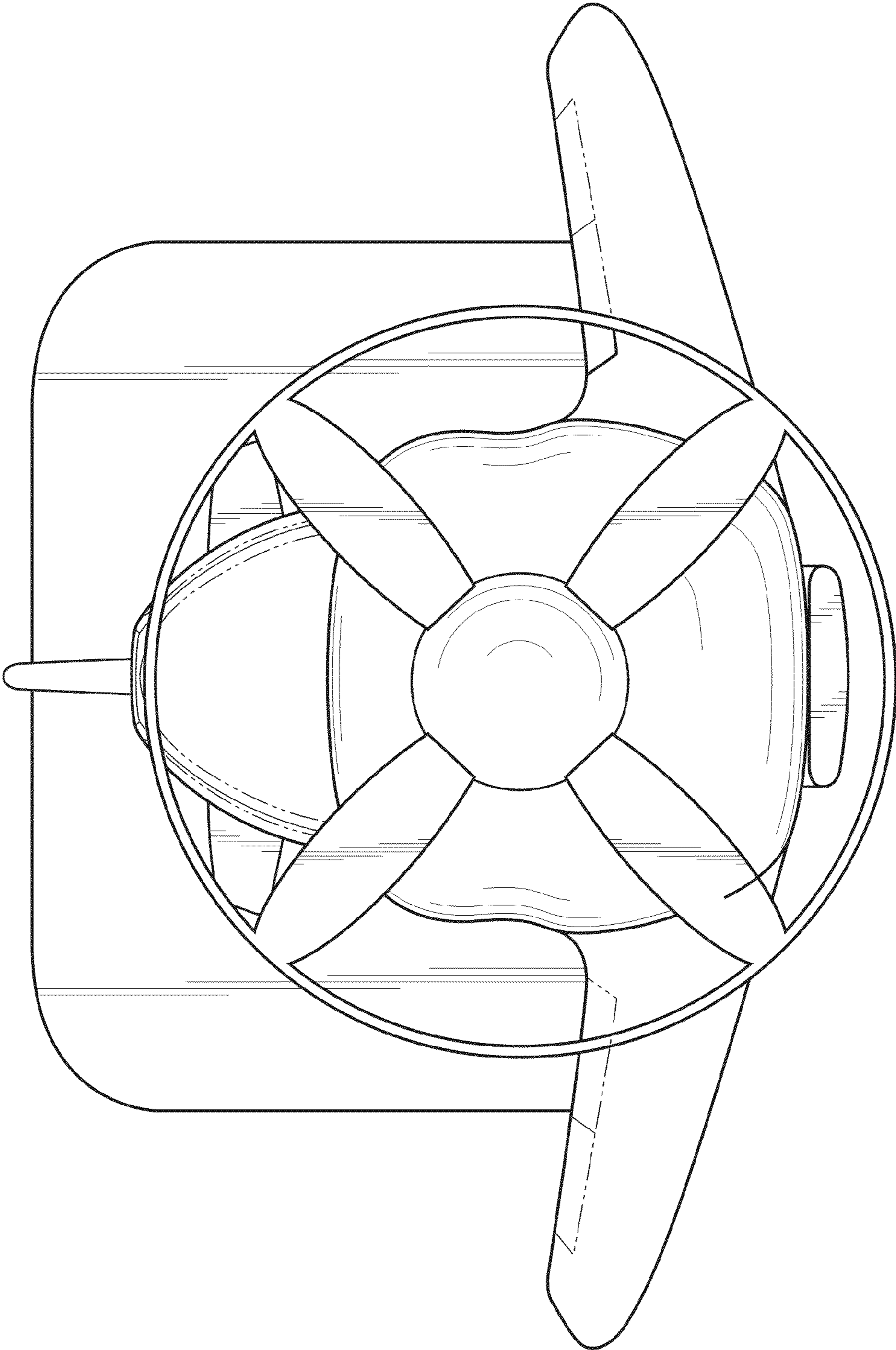


FIG. 2

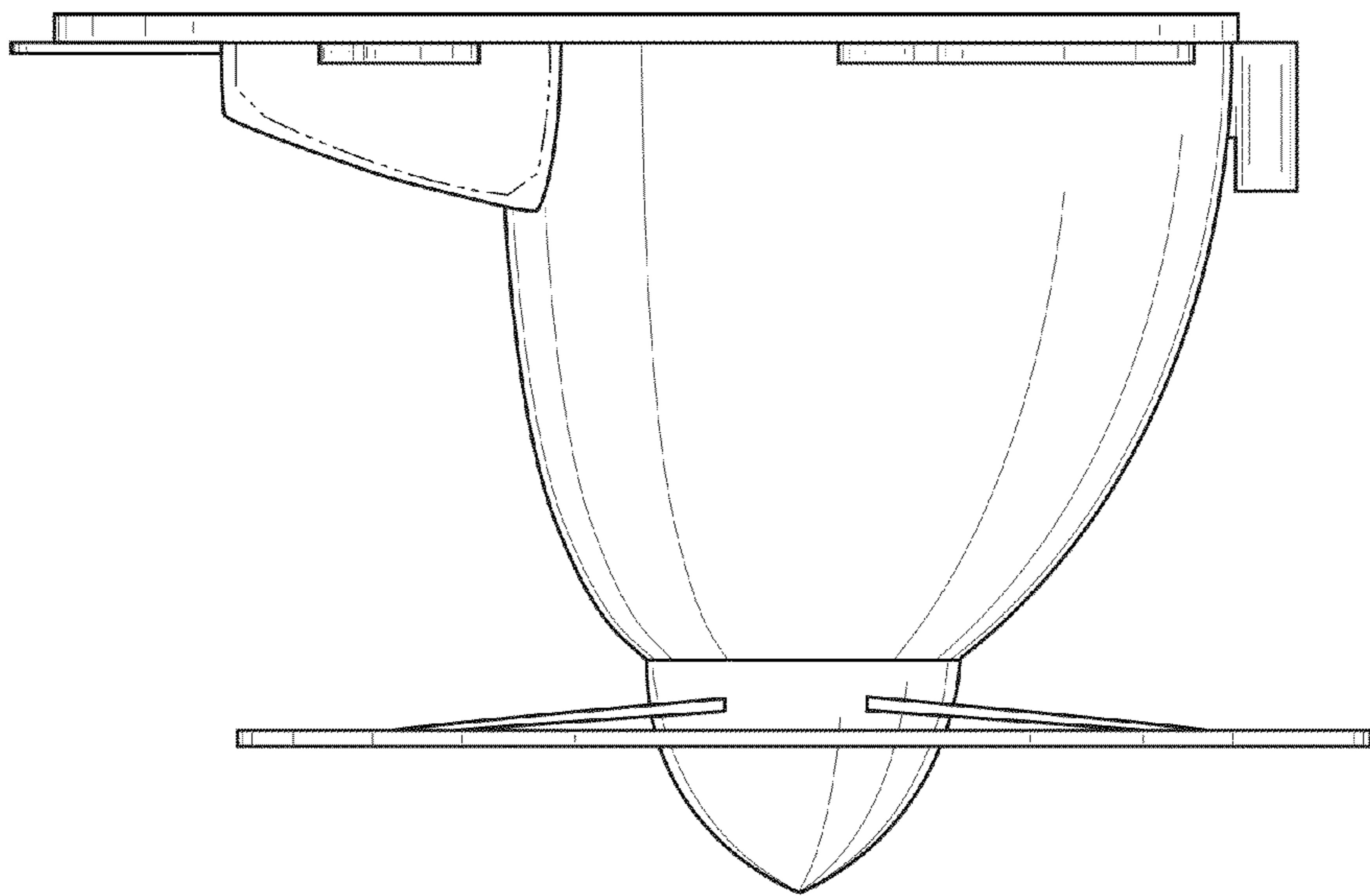


FIG. 4

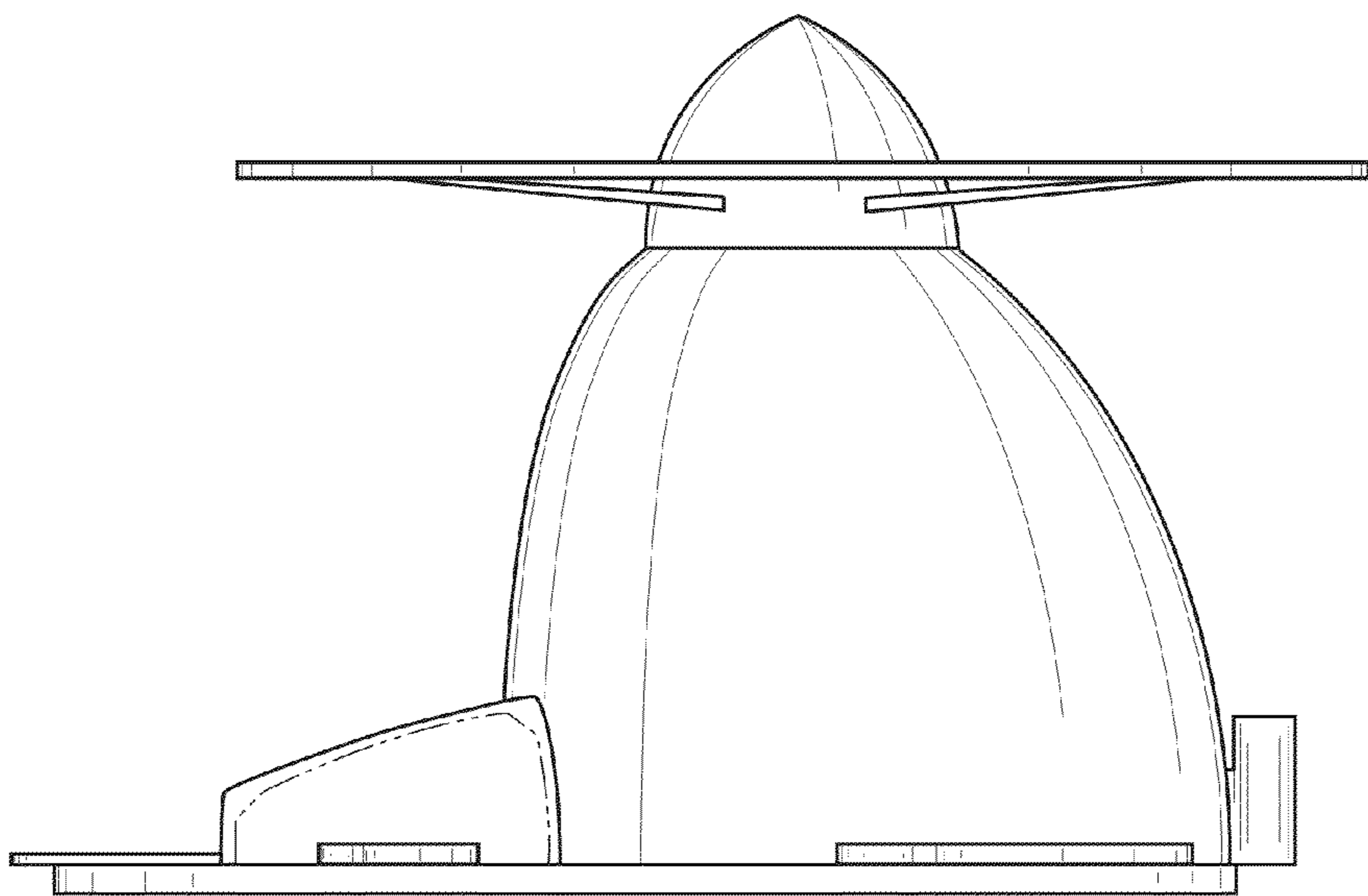


FIG. 3

FIG. 5

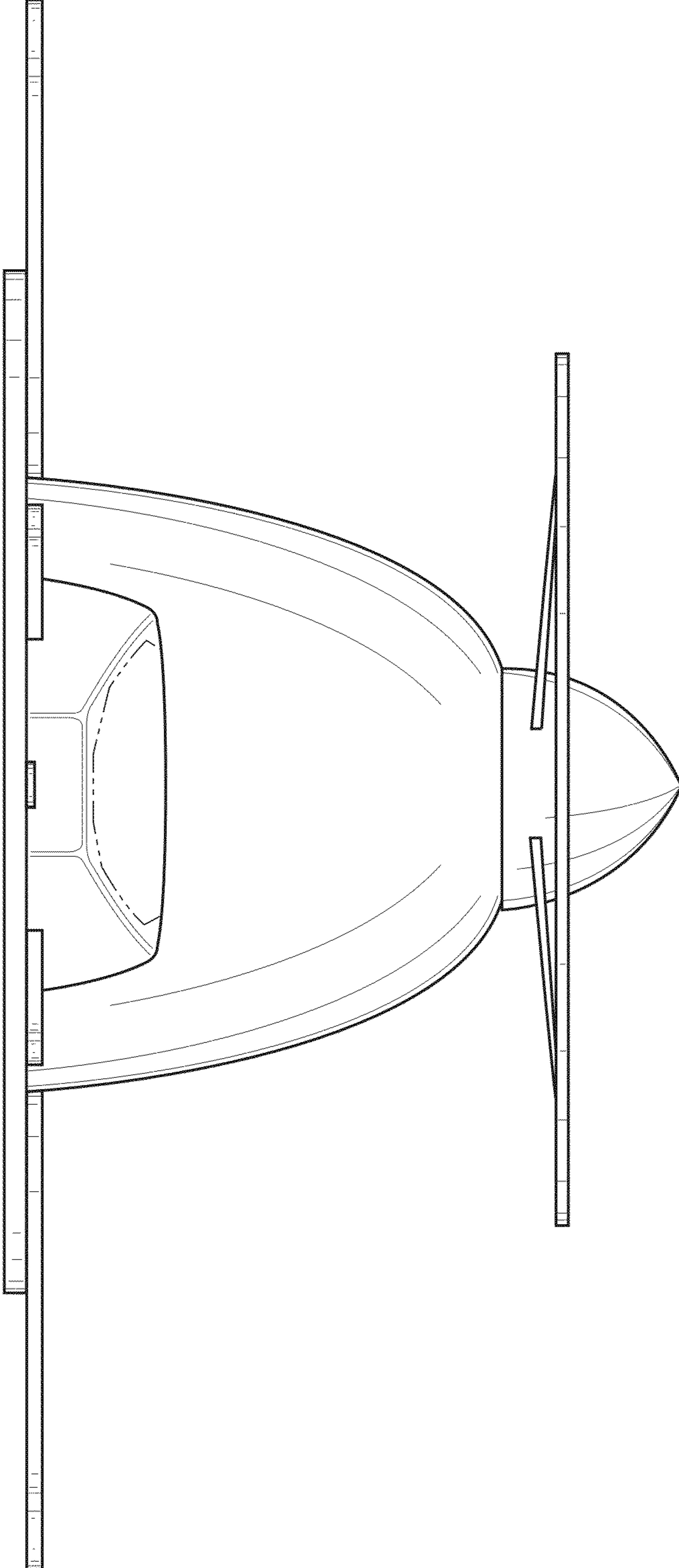


FIG. 6

