



US00D720657S

(12) **United States Design Patent**
Kahler, Jr.

(10) **Patent No.:** **US D720,657 S**
(45) **Date of Patent:** **** Jan. 6, 2015**

- (54) **BICYCLE FRAME**
- (71) Applicant: **D6 Sports, Inc.**, Huntington Beach, CA (US)
- (72) Inventor: **Robert C. Kahler, Jr.**, Costa Mesa, CA (US)
- (73) Assignee: **D6 Sports, Inc.**, Huntington Beach, CA (US)

6,497,427	B1 *	12/2002	D'Alusio et al.	280/288
6,880,846	B2 *	4/2005	Schonfeld	280/283
D533,812	S *	12/2006	Hoisington	D12/111
D542,189	S *	5/2007	Ellsworth	D12/111
D604,205	S *	11/2009	Cattaneo	D12/111
D606,908	S *	12/2009	Grimaldi	D12/111
D637,527	S *	5/2011	Choi et al.	D12/111
D644,571	S *	9/2011	Bethlenfalvy	D12/111
D667,347	S *	9/2012	Simko	D12/111
D688,599	S *	8/2013	Silva	D12/111
D689,407	S *	9/2013	Kim	D12/111
D689,408	S *	9/2013	Kim	D12/111
D697,836	S *	1/2014	Edmonds et al.	D12/111

(**) Term: **14 Years**
(21) Appl. No.: **29/490,080**

(22) Filed: **May 6, 2014**

(51) **LOC (10) Cl.** **12-11**
(52) **U.S. Cl.**
USPC **D12/111**

(58) **Field of Classification Search**
CPC B62K 3/00; B62K 3/005; B62K 9/00;
B62K 19/00; B62K 19/02; B62K 19/04;
B62K 19/06; B62K 19/16
USPC D12/111, 117; 280/274-280, 281.1,
280/283-288, 288.1-288.4
See application file for complete search history.

(56) **References Cited**

U.S. PATENT DOCUMENTS

D99,873	S *	6/1936	Lewis	D12/111
D100,203	S *	6/1936	Clements	D12/111
D101,281	S *	9/1936	Kraeft	D12/111
D108,201	S *	2/1938	Fogarty	D12/111
D115,011	S *	5/1939	Smith	D12/111
D146,436	S *	3/1947	Taylor	D12/111
D164,388	S *	8/1951	Schwinn	D12/111
D206,741	S *	1/1967	Sherwood	D12/111
D230,963	S *	3/1974	Bauer	D12/111
D232,306	S *	8/1974	Bauer	D12/111
D405,030	S *	2/1999	Frost et al.	D12/111

OTHER PUBLICATIONS

Devereaus, Scott. "Arts & Crafts." Off the Rivet—Cadence Cycling's Look at the Cycling World., Apr. 5, 2012 [online], [retrieved on Oct. 11, 2014]. Retrieved from the Internet <URL: <http://cadencecycling.blogspot.com/2012/04/arts-crafts.html>>.*

(Continued)

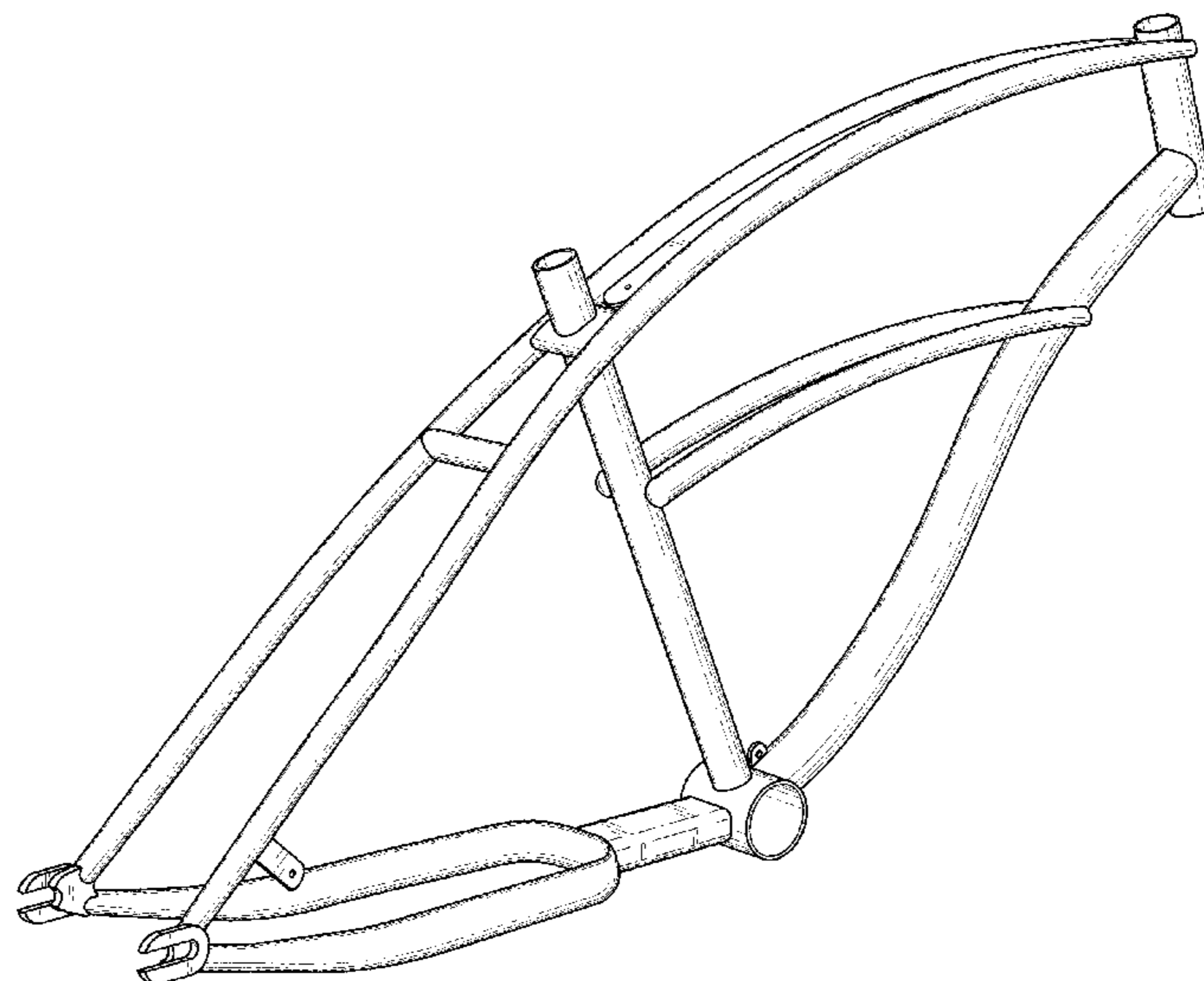
Primary Examiner — Philip S Hyder
Assistant Examiner — Darlington Ly
(74) *Attorney, Agent, or Firm* — Jeffer Mangels Butler & Mitchell LLP; Rod S. Berman, Esq.; Brennan C. Swain, Esq.

(57) **CLAIM**
The ornamental design for a bicycle frame, as shown and described.

DESCRIPTION

FIG. 1 is a perspective view showing my new design for a bicycle frame;
FIG. 2 is a side elevation view thereof;
FIG. 3 is a rear elevation view thereof;
FIG. 4 is a front elevation view thereof;
FIG. 5 is a top plan view thereof; and,
FIG. 6 is a bottom plan view thereof.

1 Claim, 4 Drawing Sheets



(56)

References Cited

Retrieved from the Internet <URL: <http://www.surfberry.com/beach-bike-rentals/>>.*

OTHER PUBLICATIONS

“Wrightsville Beach Figure 8 Island Bike Rentals.” Surf Berry—
Keeping It Cool., Aug. 4, 2013 [online], [retrieved on Oct. 11, 2014].

* cited by examiner

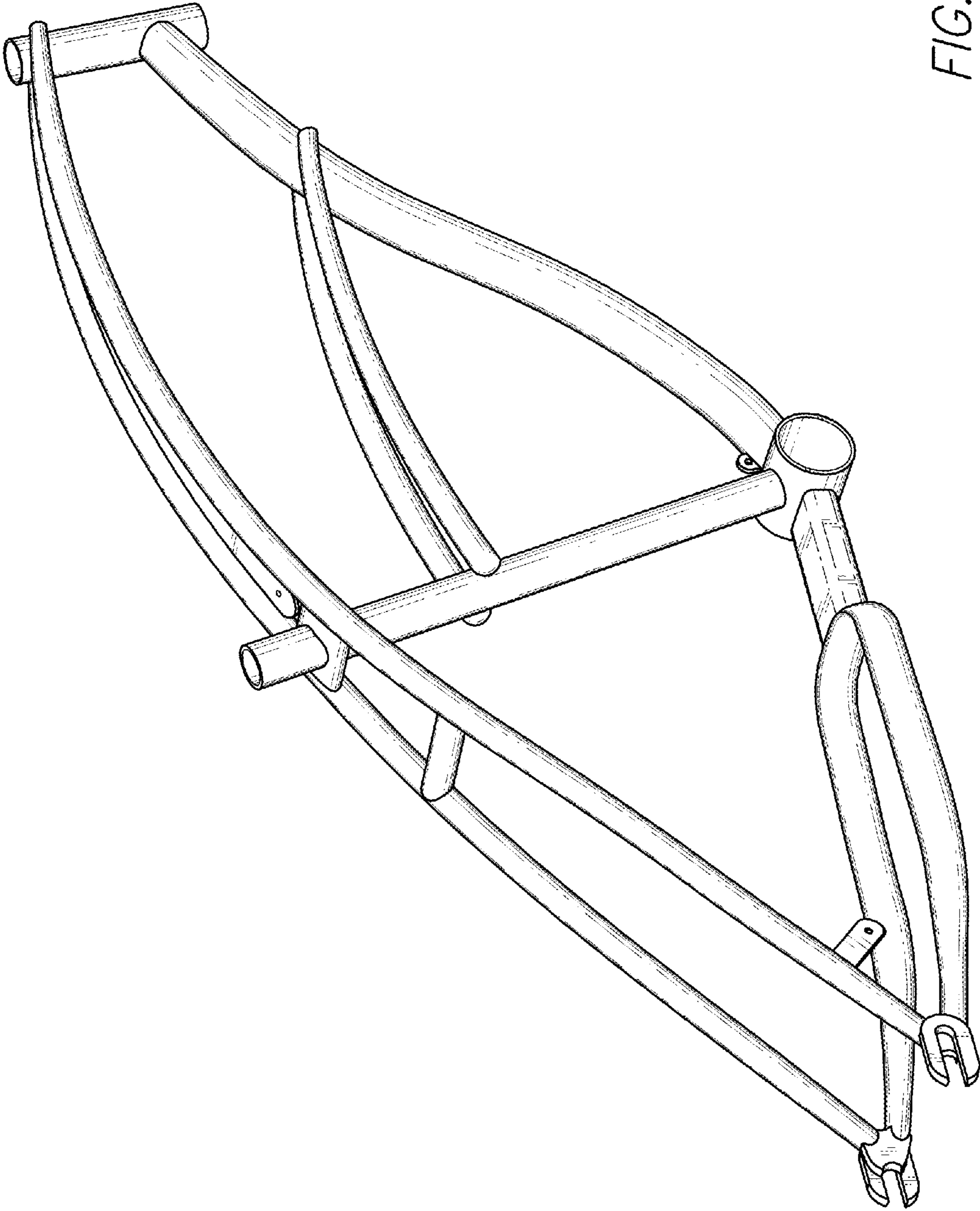


FIG. 1

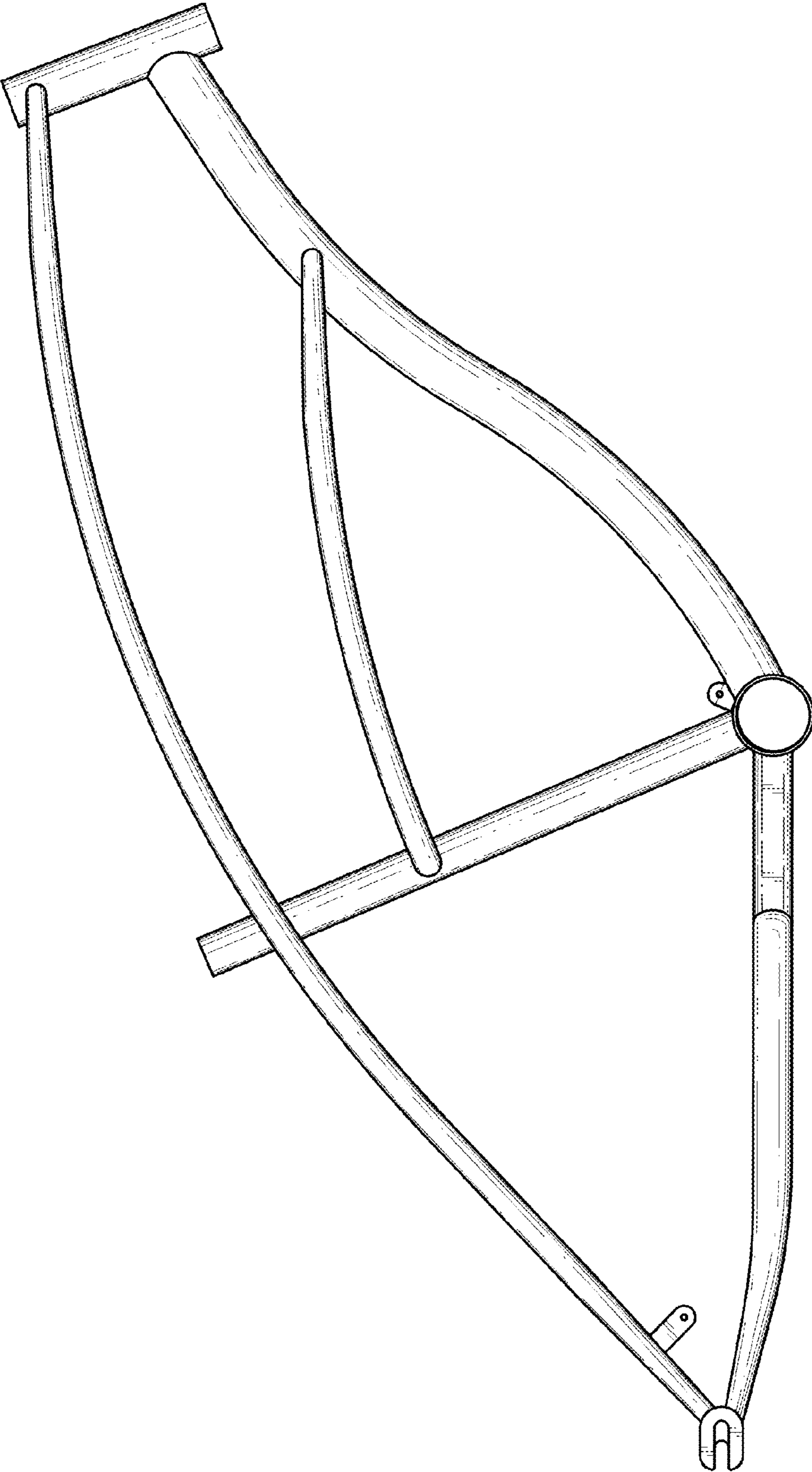


FIG. 2

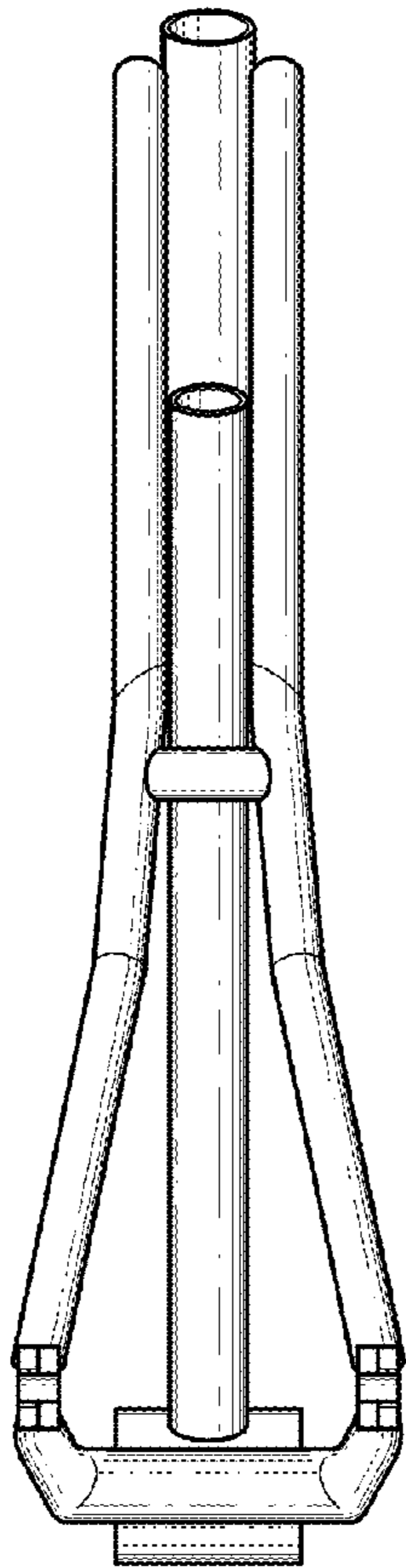


FIG. 3

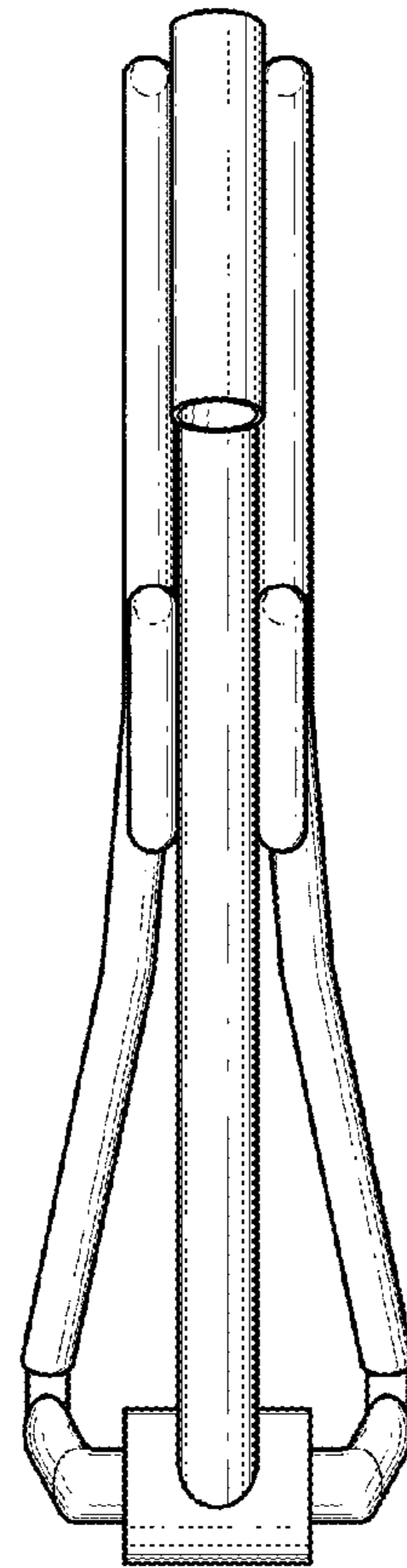


FIG. 4

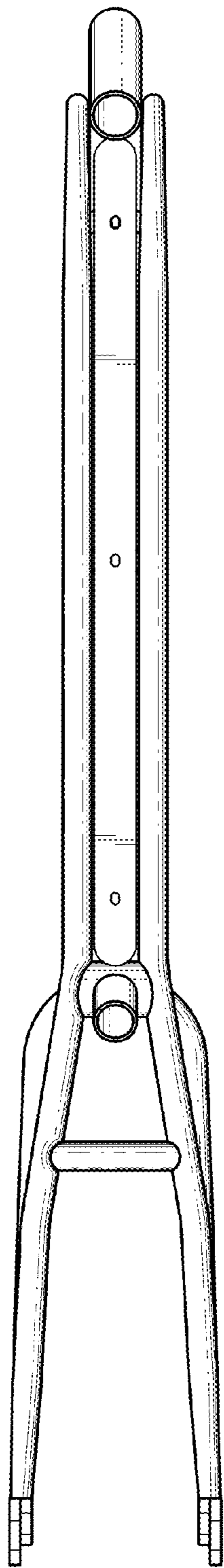


FIG. 5

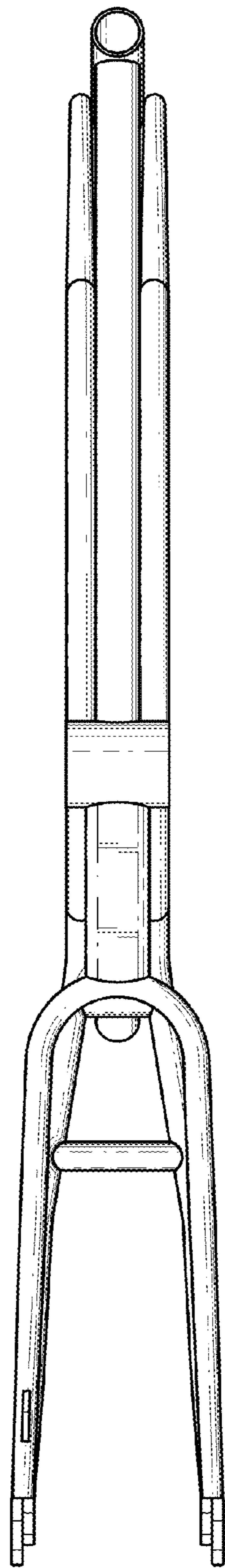


FIG. 6