



US00D720655S

(12) **United States Design Patent**  
**Maiorana et al.**

(10) **Patent No.:** **US D720,655 S**  
(45) **Date of Patent:** **\*\* Jan. 6, 2015**

(54) **TRAILER TANK WITH WIND DEFLECTOR**

(71) Applicant: **MAC LTT, Inc.**, Kent, OH (US)

(72) Inventors: **James A. Maiorana**, Hartville, OH (US); **Edward D. Mansell**, Ravenna, OH (US)

(73) Assignee: **MAC LTT, Inc.**, Kent, OH (US)

(\*\*) Term: **14 Years**

(21) Appl. No.: **29/483,964**

(22) Filed: **Mar. 5, 2014**

**Related U.S. Application Data**

(62) Division of application No. 29/449,201, filed on Mar. 14, 2013, now Pat. No. Des. 710,763.

(51) **LOC (10) Cl.** ..... **12-08**

(52) **U.S. Cl.**  
USPC ..... **D12/95**

(58) **Field of Classification Search**  
USPC ..... D12/95, 218, 181, 96; 414/462;  
137/512; 220/262, 345.2, 345.4, 345.6;  
105/1.2; 296/180.3, 180.2, 180.5, 217,  
296/91, 180.1, 180.4; 701/49, 48;  
280/438.1, 407, 407.1; 29/428;  
55/385.3, 385.4, 423, 490.1; 95/288  
See application file for complete search history.

(56) **References Cited**

**U.S. PATENT DOCUMENTS**

3,695,673	A	10/1972	Meadows
4,057,280	A	11/1977	MacCready, Jr. et al.
D249,783	S	10/1978	Herpel
4,210,354	A	7/1980	Canning
4,281,869	A	8/1981	Saint
4,313,635	A	2/1982	Front
4,421,354	A	12/1983	Lemaster

D286,030	S	10/1986	Short
4,883,307	A	11/1989	Hacker et al.
5,595,419	A	1/1997	Spears
5,824,138	A	10/1998	Taylor, III
5,911,337	A	6/1999	Bedeker
6,039,385	A *	3/2000	Husted ..... 296/180.3
6,105,805	A	8/2000	Labelle et al.
6,173,854	B1	1/2001	Labelle et al.
6,318,402	B1	11/2001	Ladeira
6,457,630	B1	10/2002	Nilsson
6,561,373	B1	5/2003	Chapin
D535,597	S	1/2007	Herpel
D710,763	S *	8/2014	Maiorana et al. .... D12/95
D710,772	S *	8/2014	Maiorana et al. .... D12/181

(Continued)

*Primary Examiner* — Robert M Spear

*Assistant Examiner* — Ryan Harvey

(74) *Attorney, Agent, or Firm* — Sand & Sebolt

(57) **CLAIM**

The ornamental design for a trailer tank with wind deflector, as shown and described.

**DESCRIPTION**

FIG. 1 is a side elevational view of a trailer tank with wind deflector mounted thereon showing our new design.

FIG. 2 is an enlarged side elevational view of the trailer tank with wind deflector shown in FIG. 1.

FIG. 3 is a top plane view of FIG. 1.

FIG. 4 is a bottom plane view of FIG. 1.

FIG. 5 is an end elevational view of FIG. 1.

FIG. 6 is a top perspective view of FIG. 1.

FIG. 7 is a side elevational view of a trailer tank with wind deflector showing a second embodiment thereof;

FIG. 8 is a top plane view of FIG. 7.

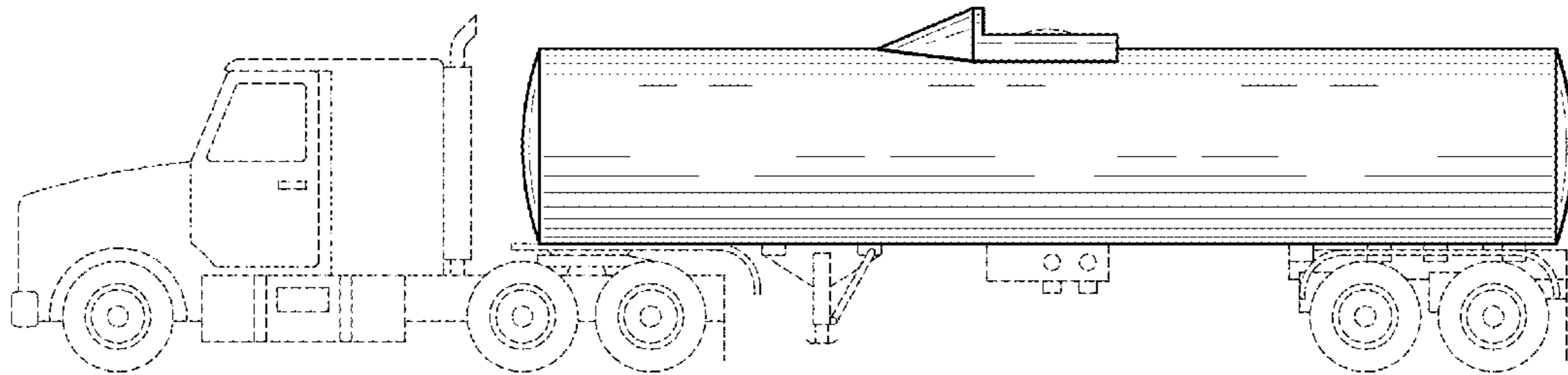
FIG. 9 is a bottom plane view of FIG. 7.

FIG. 10 is an end elevational view of FIG. 7; and,

FIG. 11 is a top perspective view of FIG. 7.

The broken lines in the drawings represent unclaimed environmental subject matter and form no part of the claim.

**1 Claim, 7 Drawing Sheets**



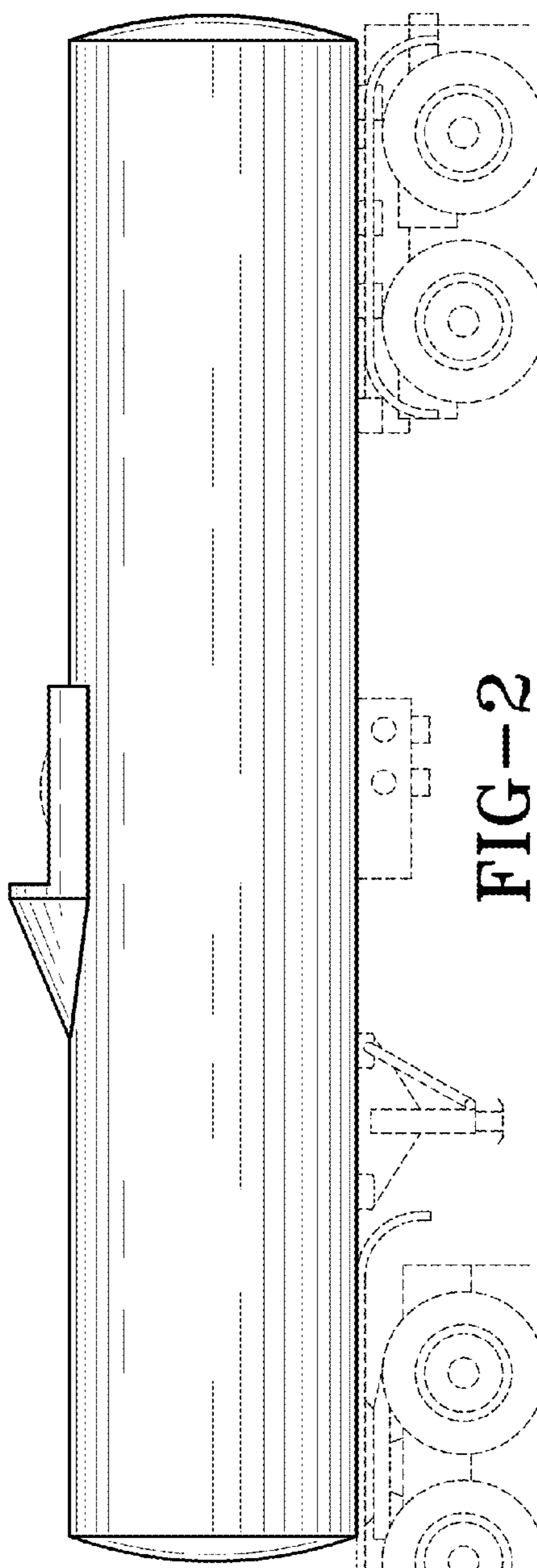
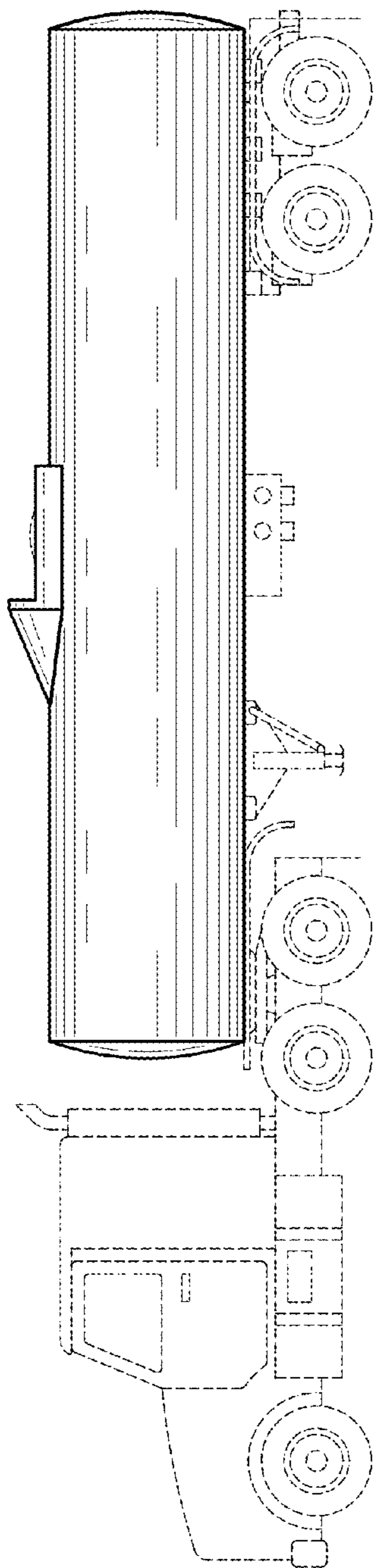
(56)

**References Cited**

U.S. PATENT DOCUMENTS

8,845,008	B1 *	9/2014	Maiorana et al. ....	296/180.4	2009/0288719	A1	11/2009	Adams et al.	
2007/0270077	A1	11/2007	Woodhouse		2011/0181072	A1	7/2011	Kempster	
2009/0146453	A1	6/2009	Ortega et al.		2012/0313348	A1 *	12/2012	Pfaff .....	280/423.1
2009/0212594	A1	8/2009	Breidenbach		2013/0221700	A1	8/2013	White	
					2013/0266411	A1	10/2013	Morgan et al.	
					2013/0292387	A1 *	11/2013	Spencer et al. ....	220/562
					2014/0265436	A1 *	9/2014	Maiorana et al. ....	296/180.4

\* cited by examiner



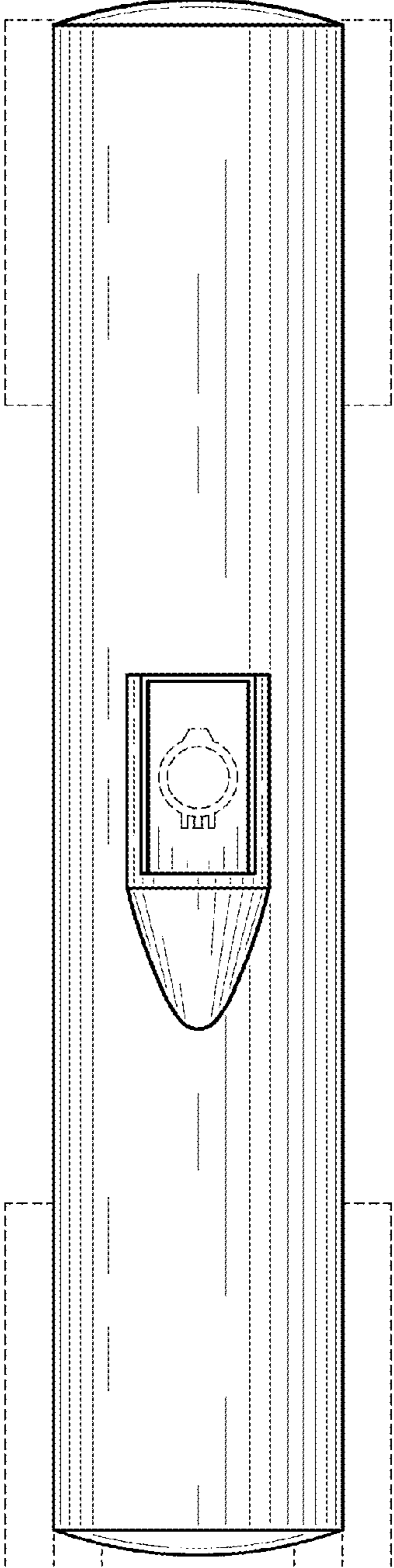


FIG-3

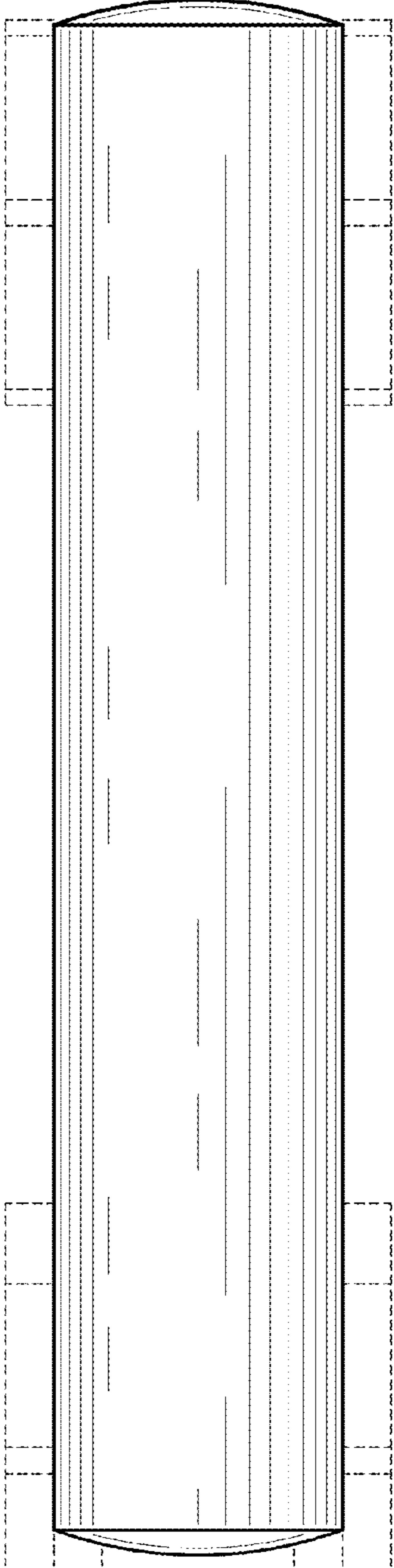


FIG-4



FIG-5

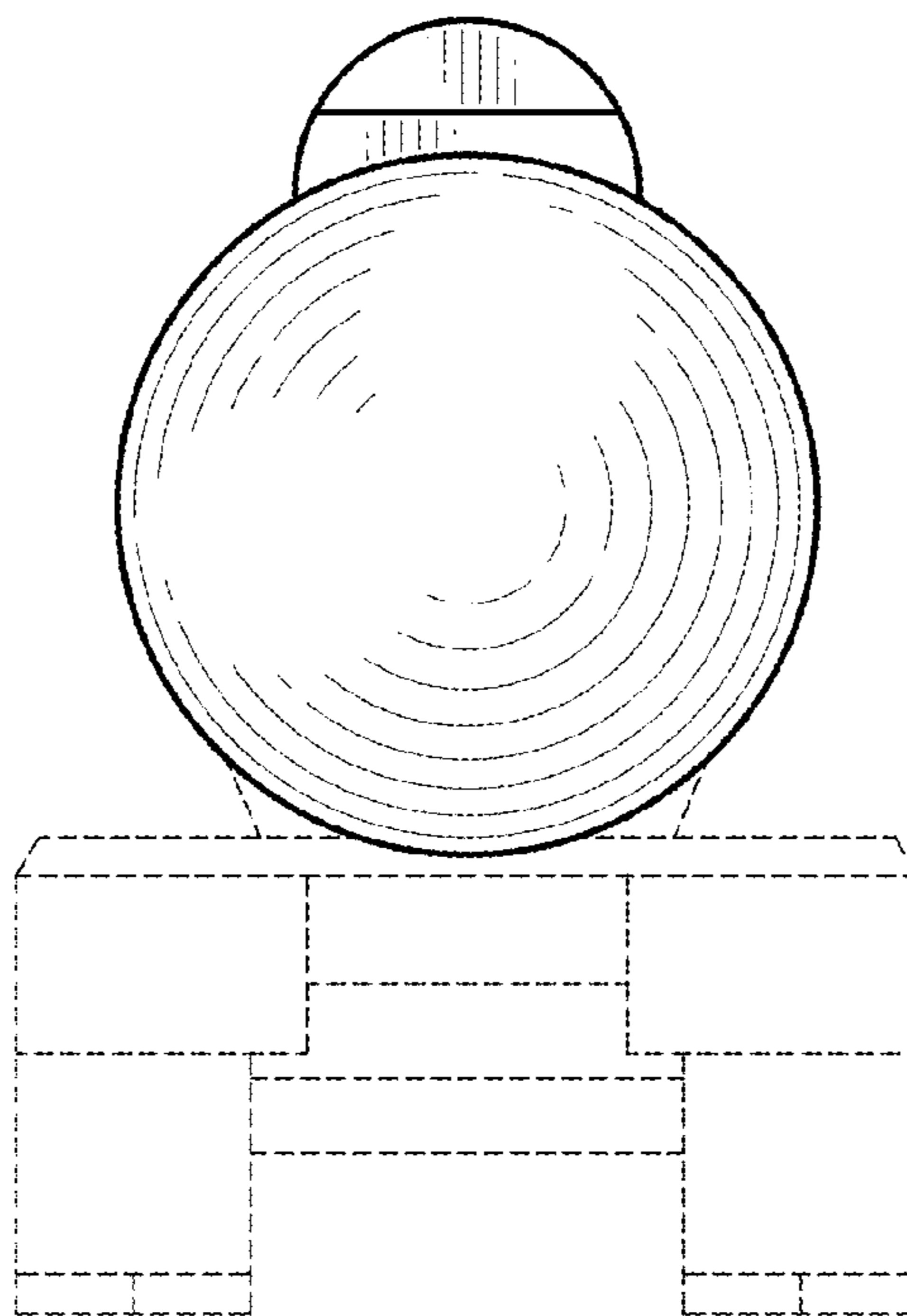
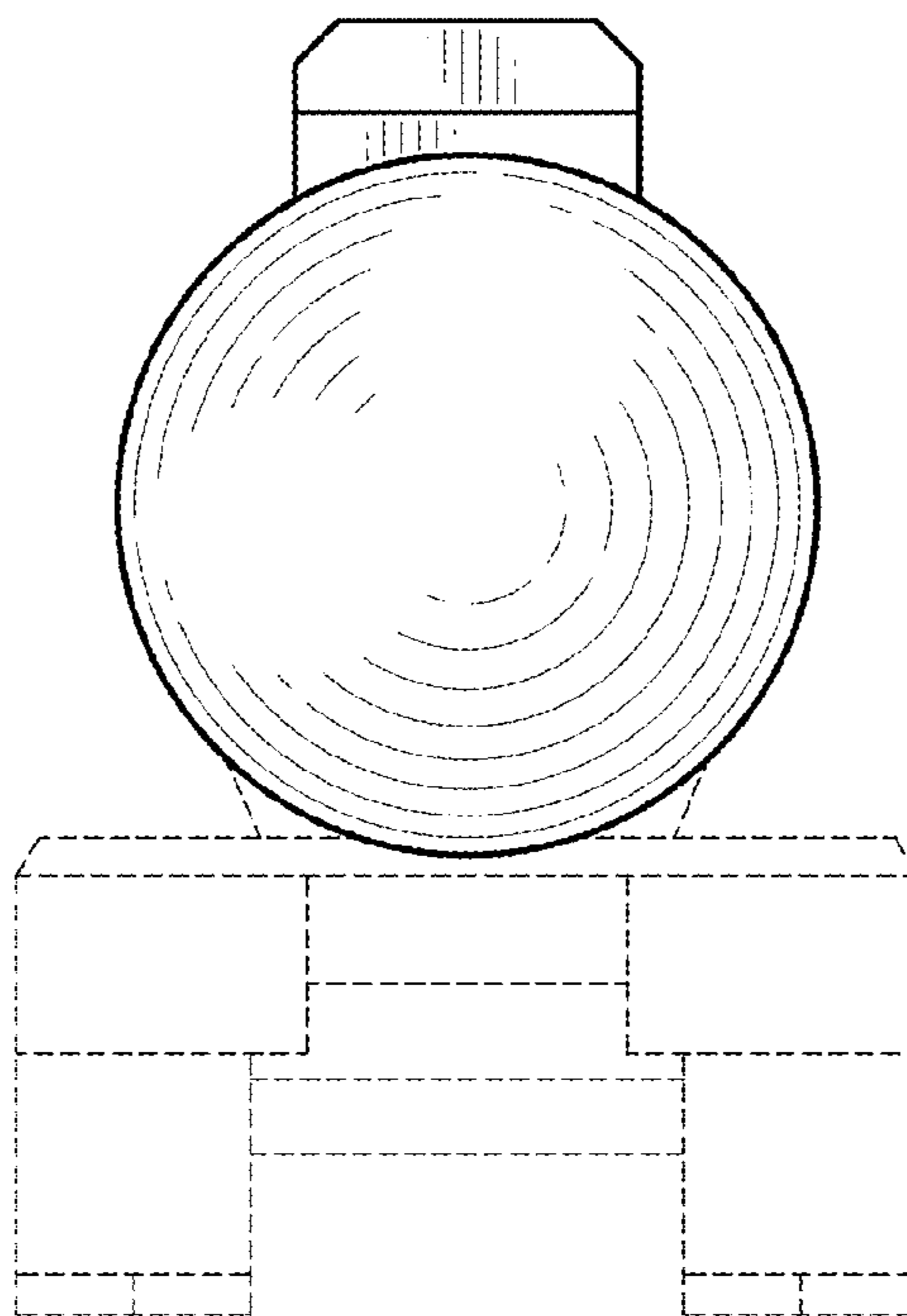


FIG-10



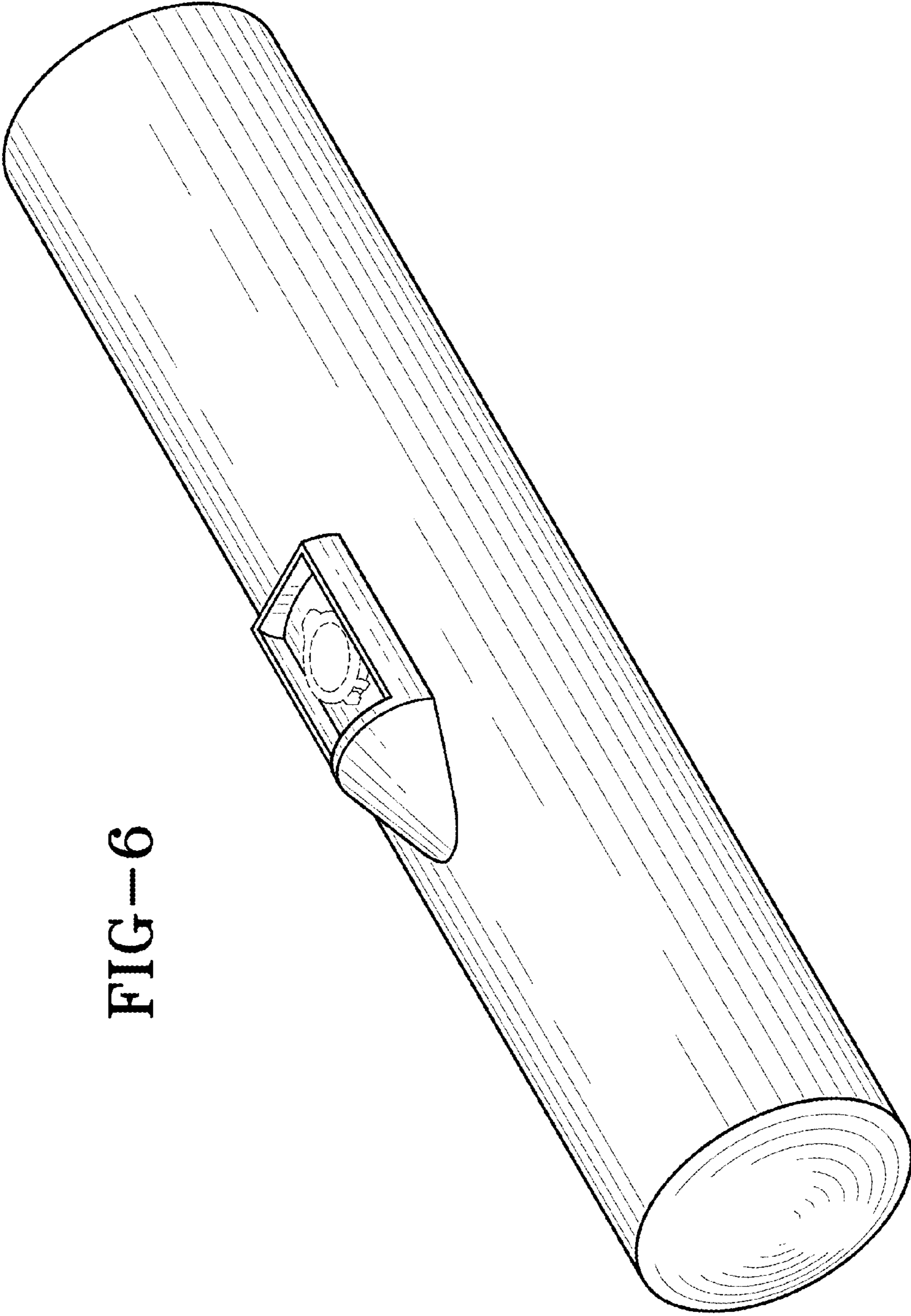


FIG-6

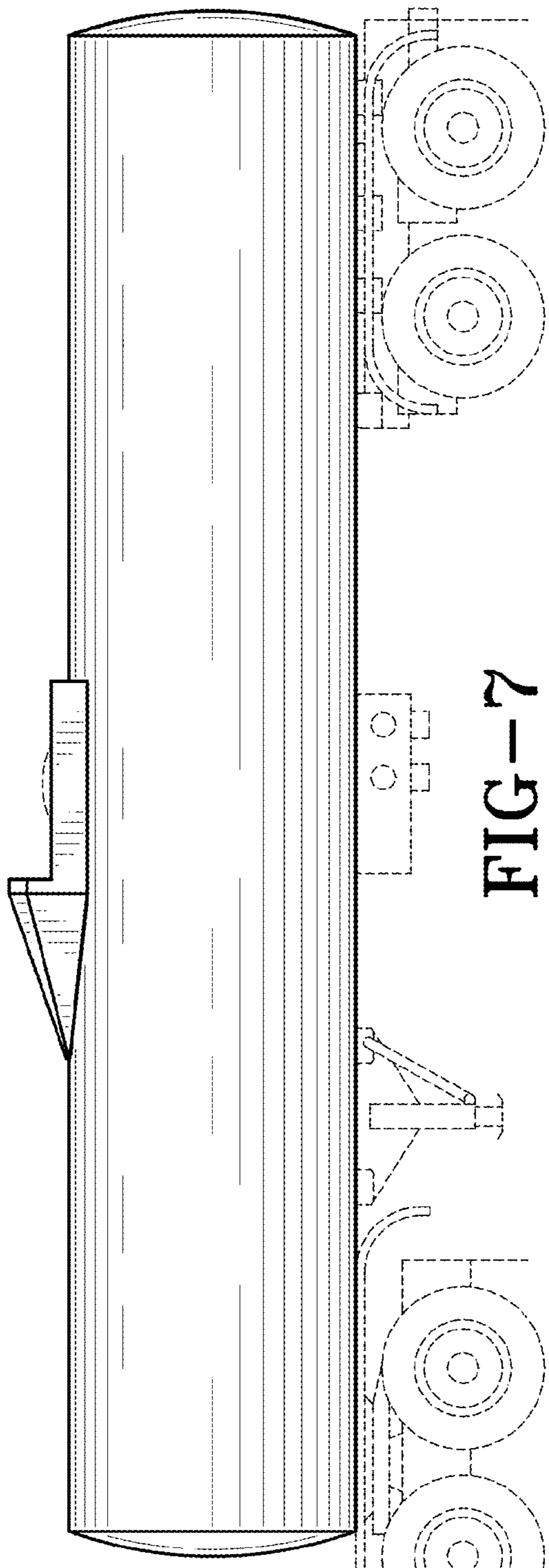


FIG-7

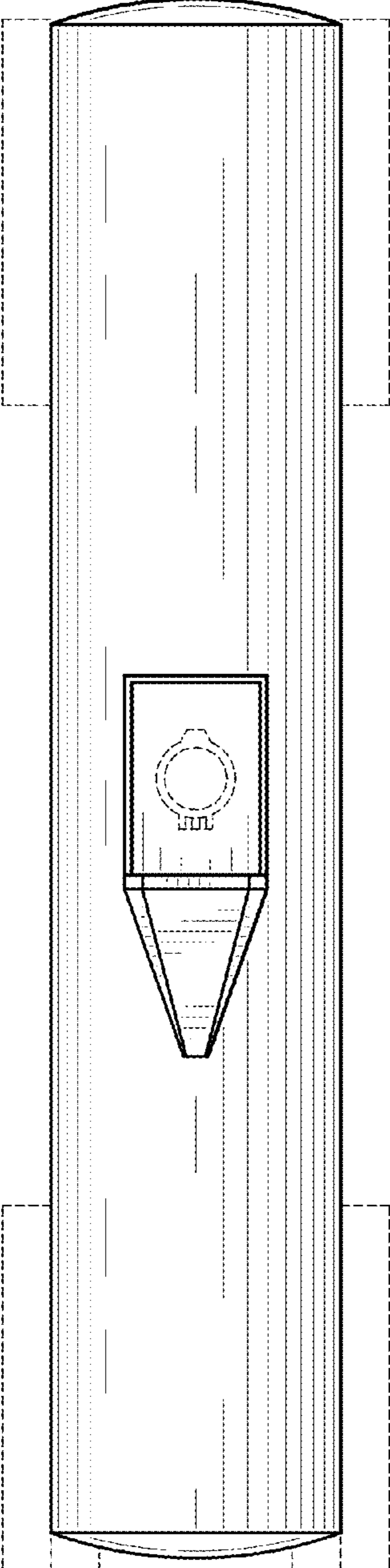


FIG-8

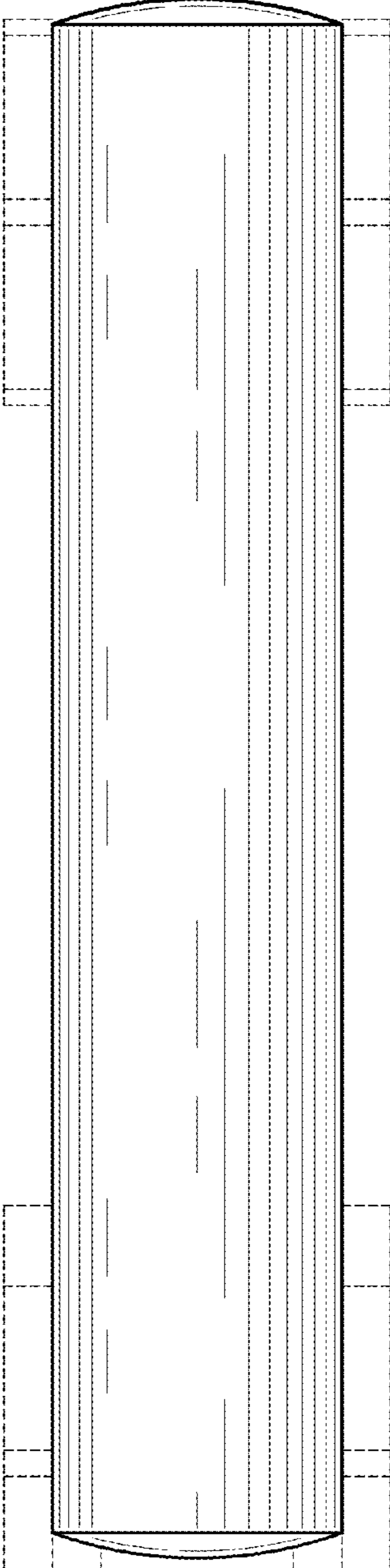


FIG-9



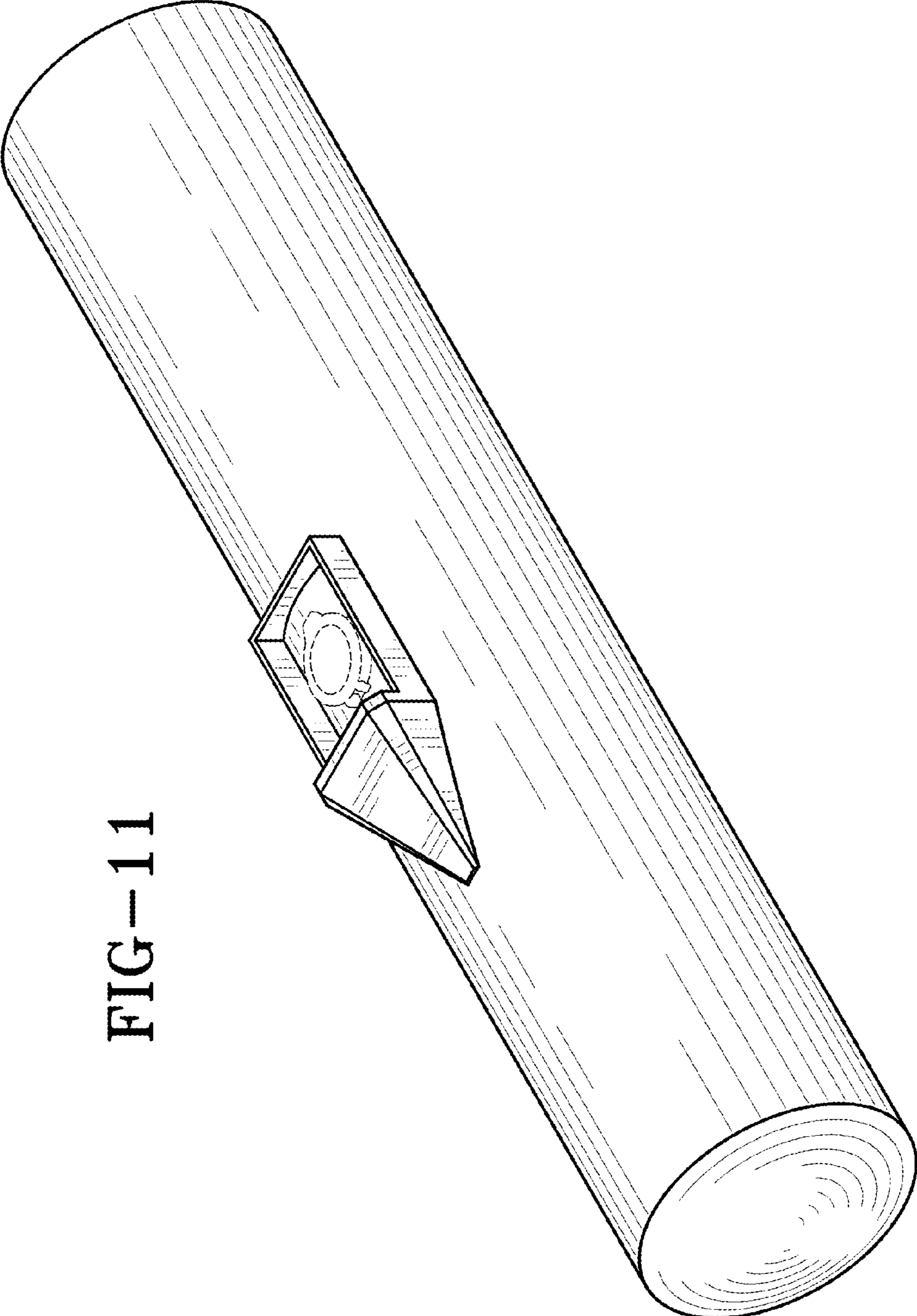


FIG-11