



US00D720649S

(12) **United States Design Patent**
Huang

(10) **Patent No.:** **US D720,649 S**
(45) **Date of Patent:** **** Jan. 6, 2015**

- (54) **CHRISTMAS DECORATION**
- (75) Inventor: **Meng-suen Huang**, Hong Kong (CN)
- (73) Assignee: **Mr. Christmas Incorporated**, New York, NY (US)
- (**) Term: **14 Years**
- (21) Appl. No.: **29/417,767**
- (22) Filed: **Apr. 9, 2012**
- (51) **LOC (10) Cl.** **11-05**
- (52) **U.S. Cl.**
USPC **D11/125; D6/701**
- (58) **Field of Classification Search**
USPC D11/117, 121, 125, 130, 131, 132, 133, D11/157; D19/113, 114; D6/300, 310, 312, D6/329, 332, 698, 700, 701; 248/441.1, 248/444.1, 451; 428/7, 8, 9, 12
See application file for complete search history.

D187,030 S *	1/1960	Wenger	D6/419
3,637,172 A *	1/1972	Diesbach	248/460
D239,899 S *	5/1976	Malcolm	D6/419
D367,971 S *	3/1996	Lynn	D6/419
5,636,824 A *	6/1997	Biasini et al.	248/441.1
6,017,011 A *	1/2000	Lee	248/441.1
6,682,042 B2 *	1/2004	Anderson	248/460
D577,627 S *	9/2008	Evans	D11/121
7,616,390 B1 *	11/2009	Cosby	359/801
D644,450 S *	9/2011	Walter	D6/419

* cited by examiner

Primary Examiner — Elizabeth J Oswecki

(74) *Attorney, Agent, or Firm* — Fitzpatrick, Cella, Harper & Scinto

(57) **CLAIM**

I claim the ornamental design for an ornamental Christmas decoration, shown and described.

DESCRIPTION

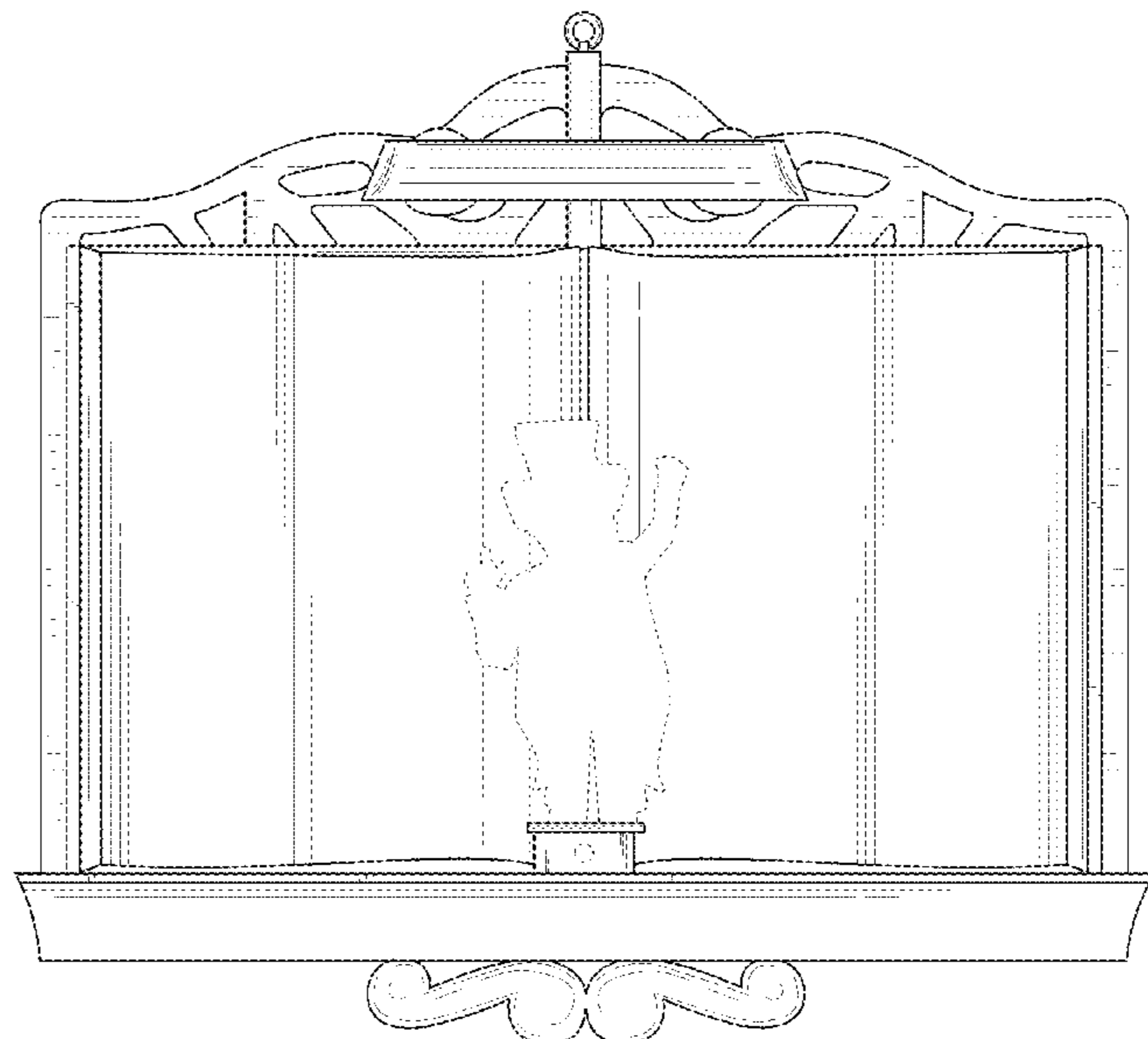
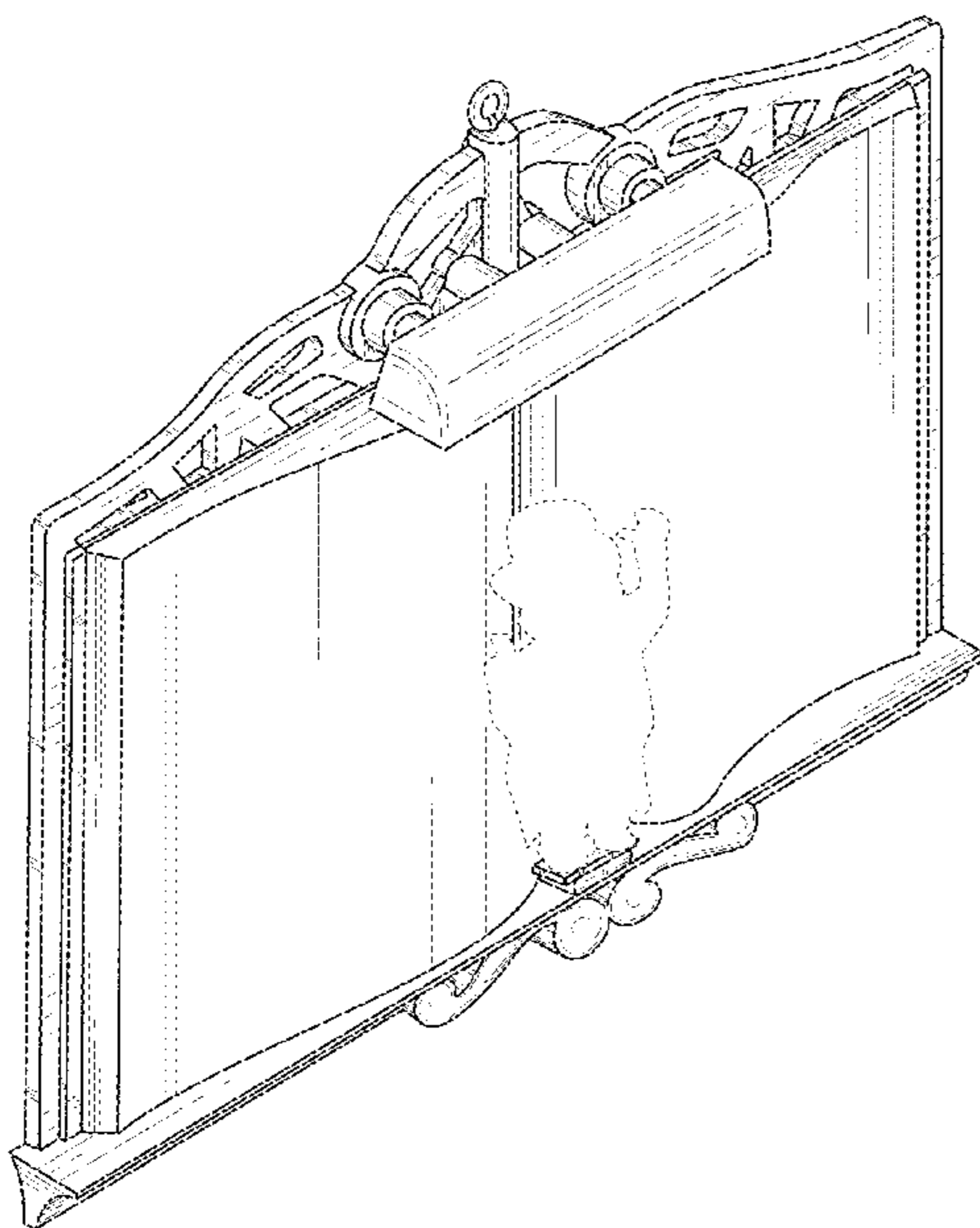
FIG. 1 is a left front perspective view of an ornamental Christmas decoration showing my design;
FIG. 2 is a front view of FIG. 1;
FIG. 3 is a rear view of FIG. 1;
FIG. 4 is a top plan view of FIG. 1; and,
FIG. 5 is a right side view of FIG. 1.

All surfaces not shown form no part of the claimed design.
The broken lines in FIGS. 1 to 5 are shown for the purpose of illustrating environmental structure and form no part of the claimed design.

1 Claim, 5 Drawing Sheets

(56) **References Cited**
U.S. PATENT DOCUMENTS

D2,088 S *	6/1865	Elmore	D6/419
513,113 A *	1/1894	Kelly	362/98
D76,755 S *	10/1928	Kliegl	D6/419
D102,790 S *	1/1937	Katz	D6/419
D186,895 S *	12/1959	Wenger	D6/419



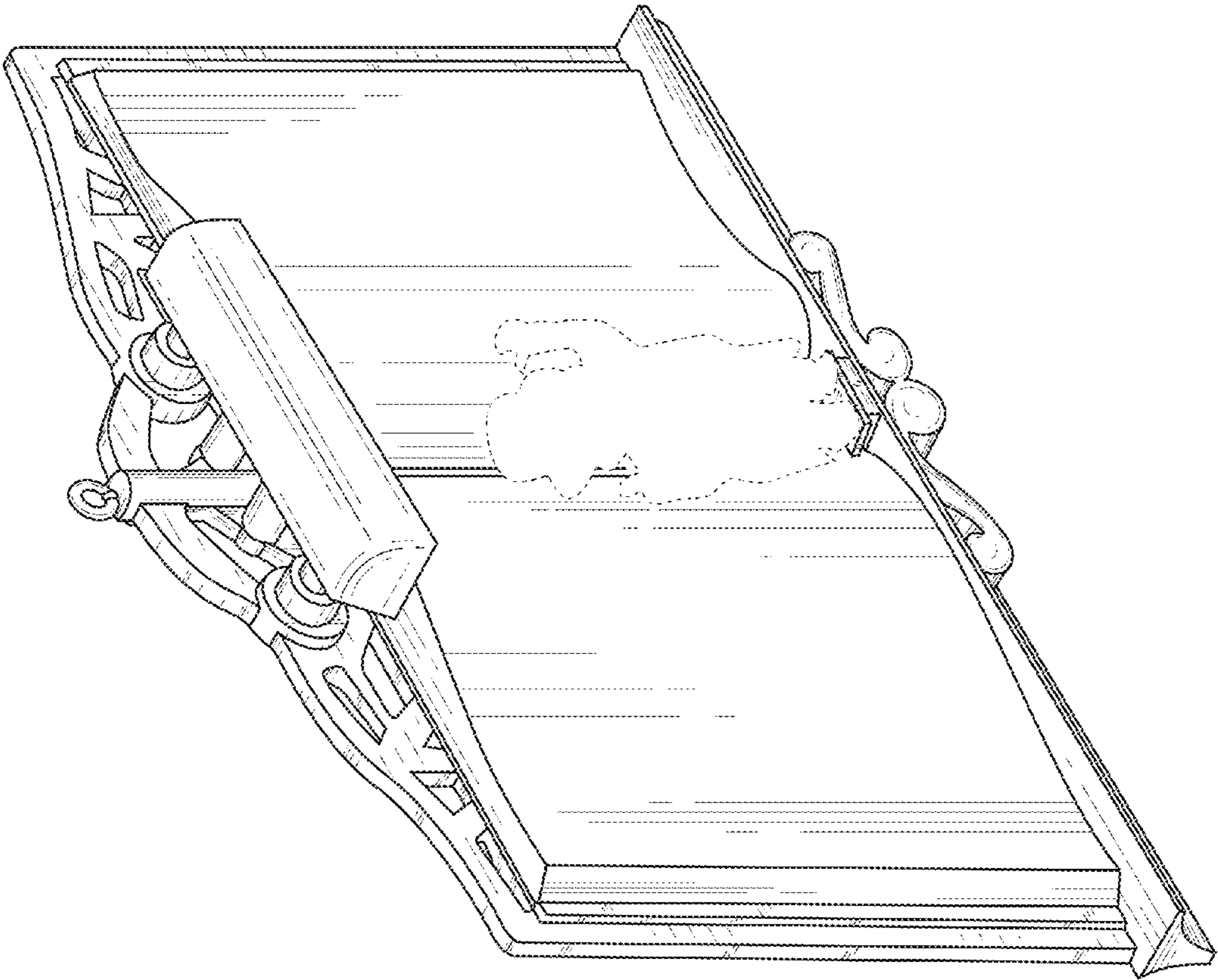


FIG. 1

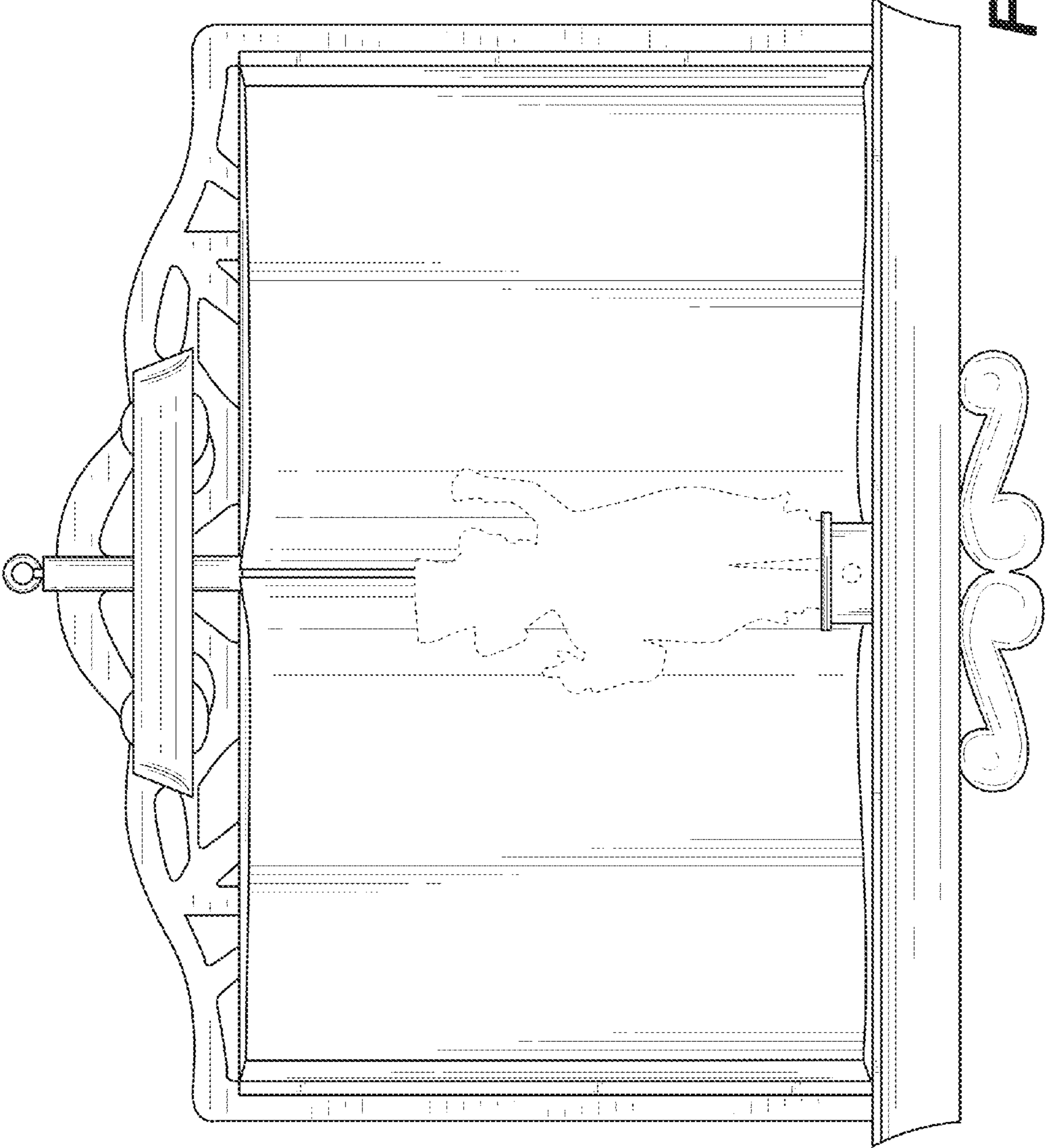


FIG. 2

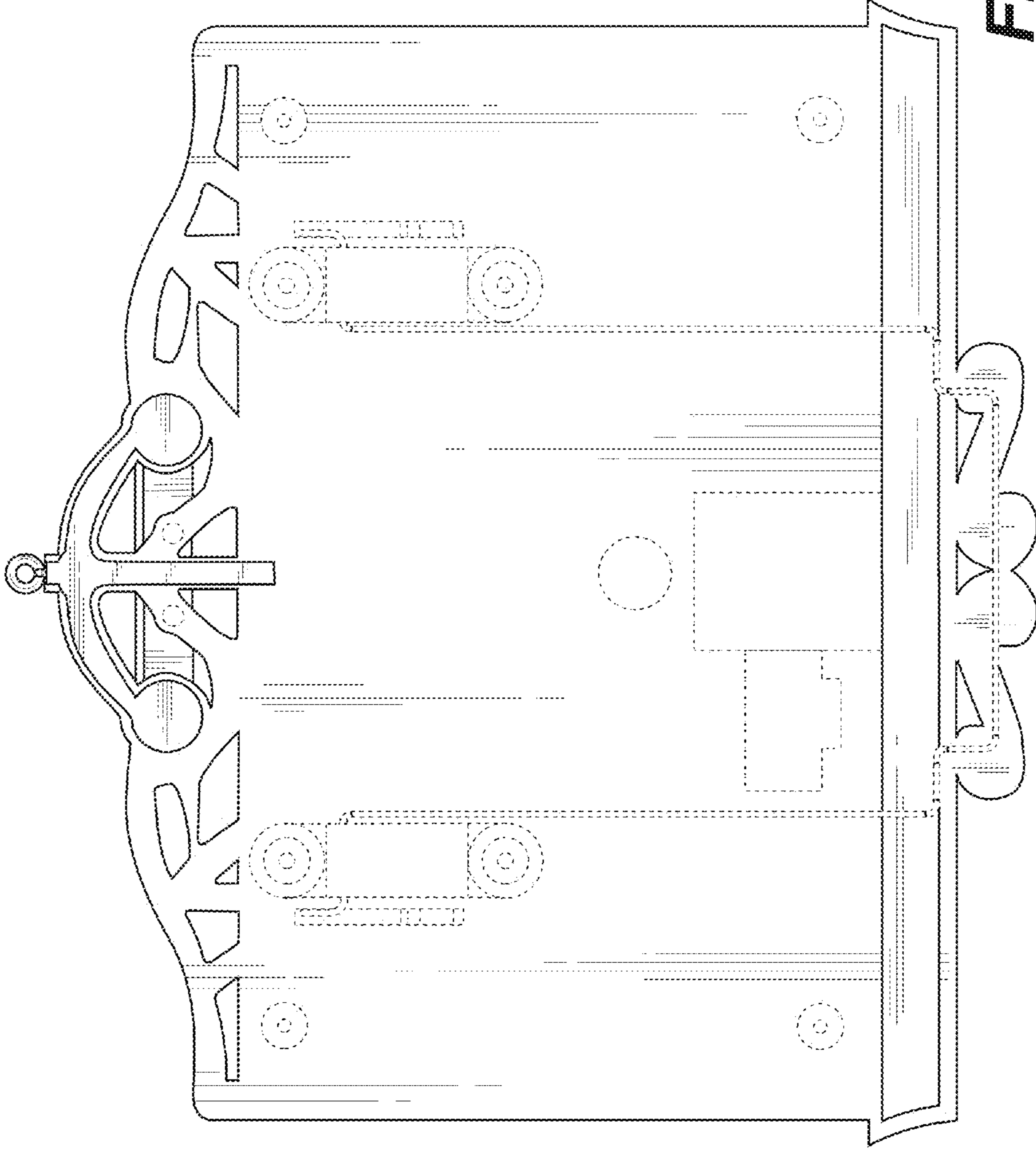


FIG. 3

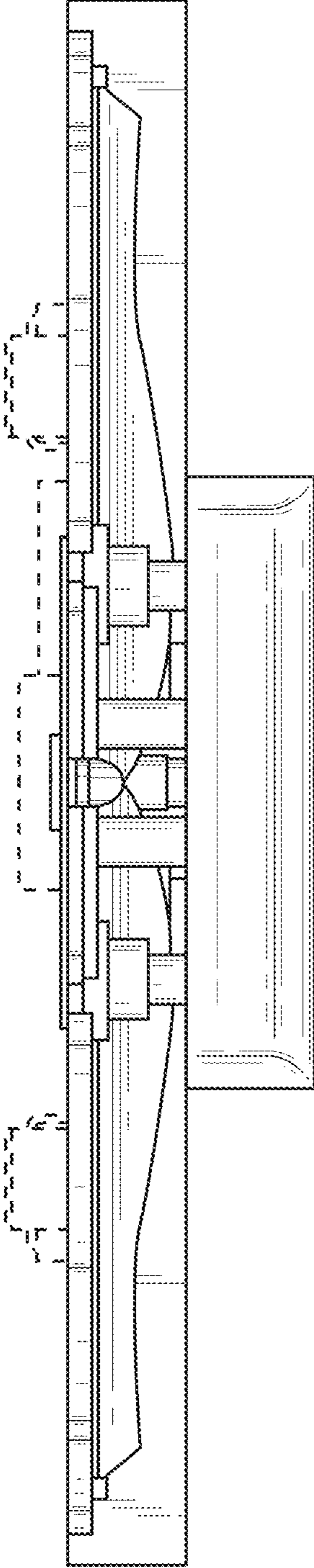


FIG. 4

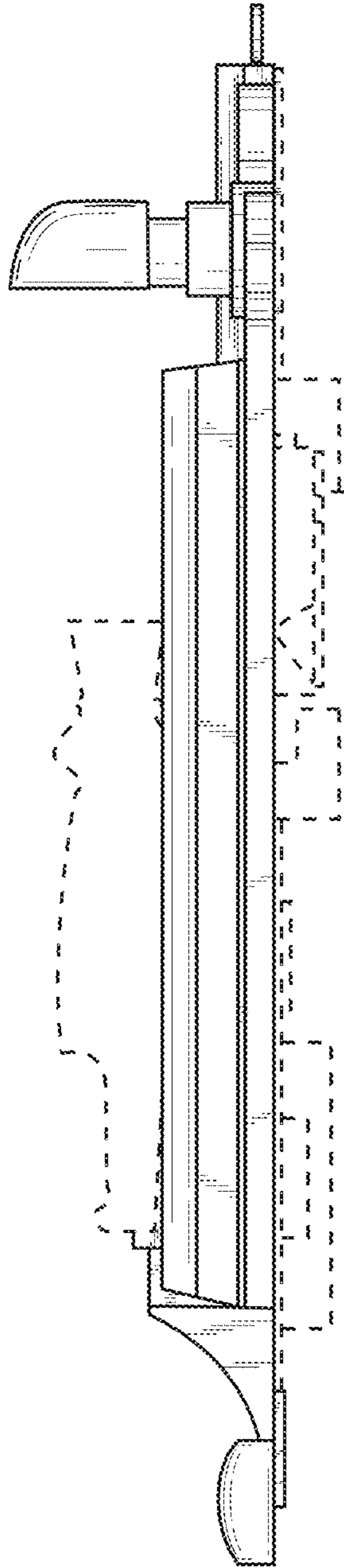


FIG. 5