



US00D720646S

(12) **United States Design Patent**
Pinter

(10) **Patent No.:** **US D720,646 S**
(45) **Date of Patent:** **** Jan. 6, 2015**

(54) **FACIAL JEWELRY**

(71) Applicant: **Jonathan Carl Pinter**, Rural Hall, NC
(US)

(72) Inventor: **Jonathan Carl Pinter**, Rural Hall, NC
(US)

(**) Term: **14 Years**

(21) Appl. No.: **29/489,301**

(22) Filed: **Apr. 29, 2014**

Related U.S. Application Data

(63) Continuation-in-part of application No. 29/484,234,
filed on Mar. 7, 2014.

(51) **LOC (10) Cl.** **11-01**

(52) **U.S. Cl.**
USPC **D11/40**

(58) **Field of Classification Search**

CPC A44C 7/00; A44C 7/001; A44C 7/002;
A44C 7/003; A44C 7/004; A44C 7/005;
A44C 7/006; A44C 7/007; A44C 7/009;
A44C 15/0045; A44C 15/03; A44C 15/002;
A44C 15/001
USPC D11/40-48, 1, 2, 7, 8, 79-87, 69, 76;
63/1.11, 12, 13, 33
See application file for complete search history.

(56) **References Cited**

U.S. PATENT DOCUMENTS

2,525,195	A *	10/1950	Austrin et al.	63/14.2
3,828,577	A *	8/1974	Haynes	63/33
4,282,721	A *	8/1981	Roach et al.	63/14.1
D298,611	S *	11/1988	Saraga	D11/42
4,993,240	A *	2/1991	Pounder	63/12
D326,430	S *	5/1992	Ortega	D11/42
D344,910	S *	3/1994	Nelson	D11/79
D348,854	S *	7/1994	Salsgiver	D11/86
5,809,803	A *	9/1998	Stracuzzi	63/12
D522,906	S *	6/2006	Siggins	D11/87
D654,389	S *	2/2012	Gordon	D11/2
D665,297	S *	8/2012	Parris	D11/40
D684,882	S *	6/2013	O'Connor	D11/86
D702,149	S *	4/2014	Carniani	D11/43
2010/0212356	A1 *	8/2010	Namiki	63/14.1

* cited by examiner

Primary Examiner — Garth Rademaker

Assistant Examiner — Melanie Pellegrini

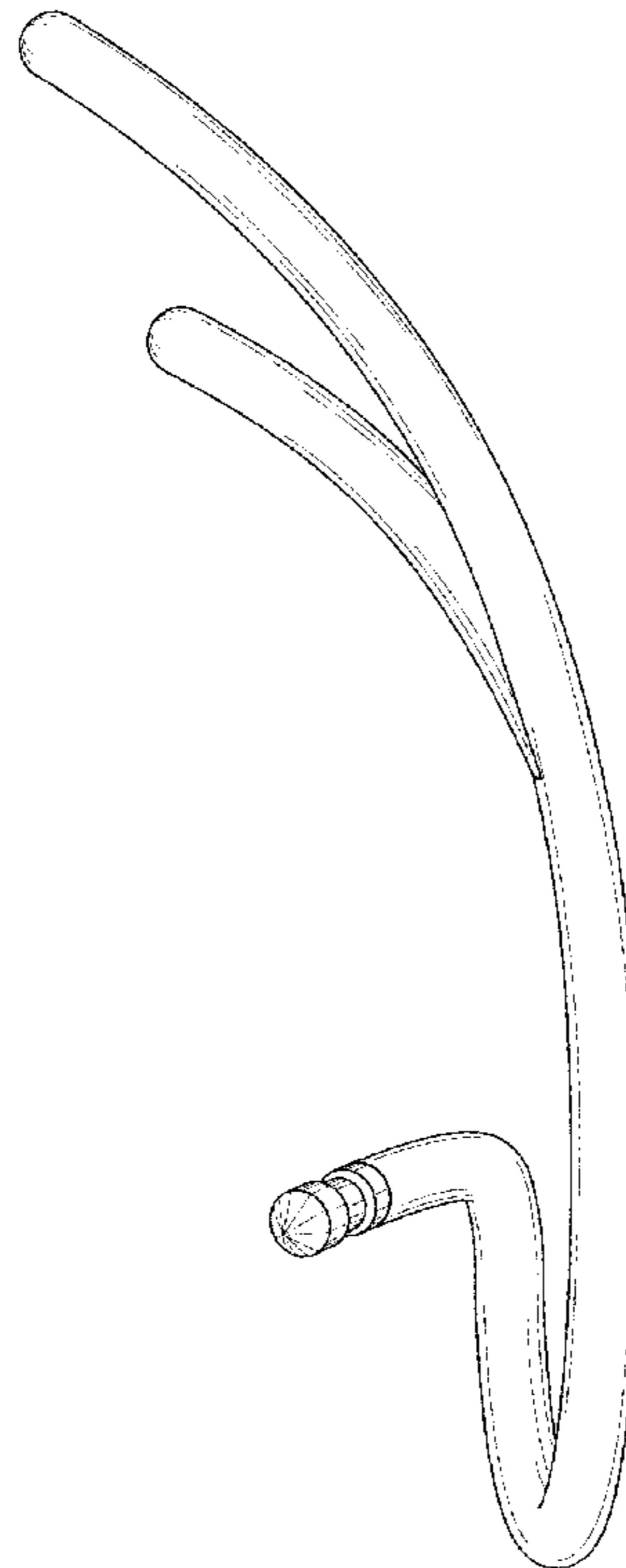
(57) **CLAIM**

The ornamental design for facial jewelry, as shown and described.

DESCRIPTION

FIG. 1 is a perspective view of facial jewelry;
FIG. 2 is a front elevational view thereof;
FIG. 3 is a rear elevational view thereof;
FIG. 4 is a right side elevational view thereof;
FIG. 5 is a left side elevational view thereof;
FIG. 6 is a top plan view thereof; and,
FIG. 7 is a bottom plan view thereof.

1 Claim, 7 Drawing Sheets



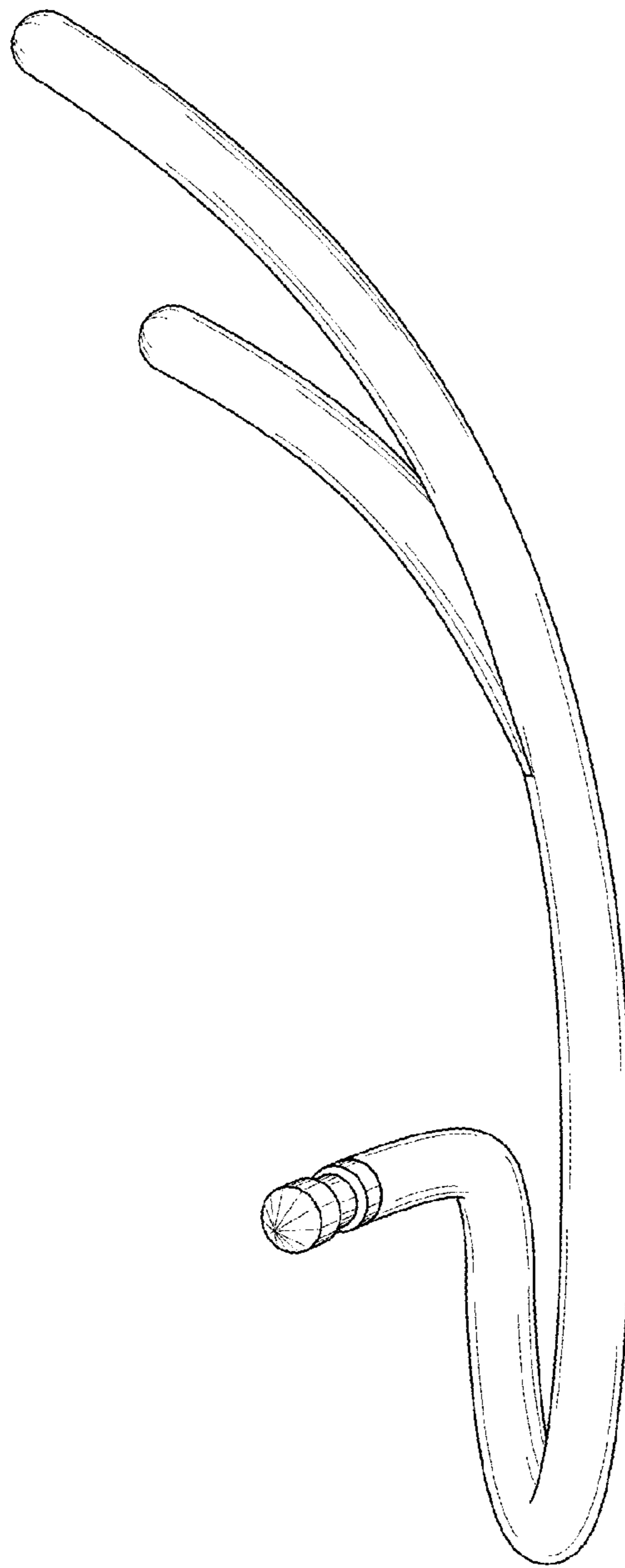


FIG. 1

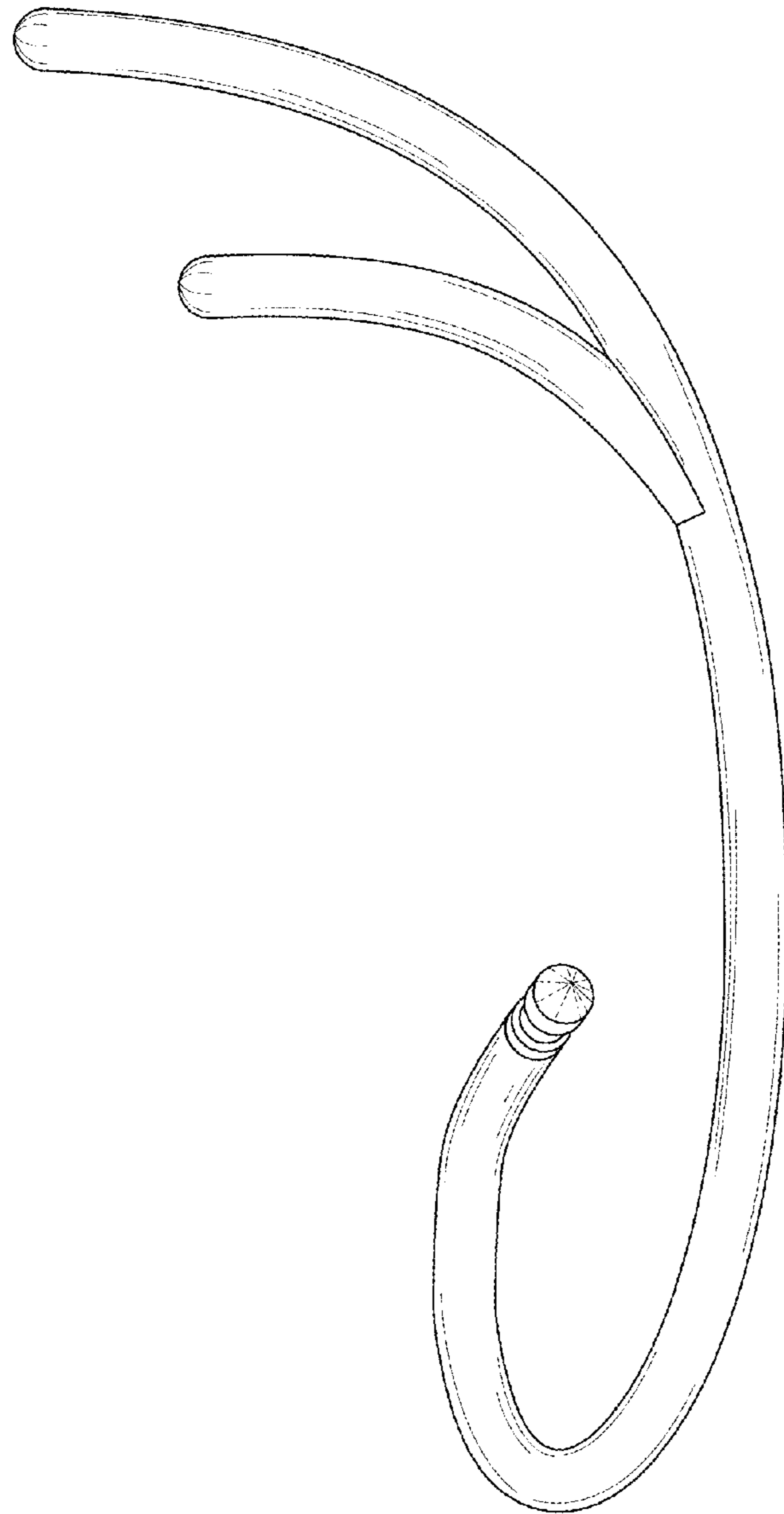


FIG. 2

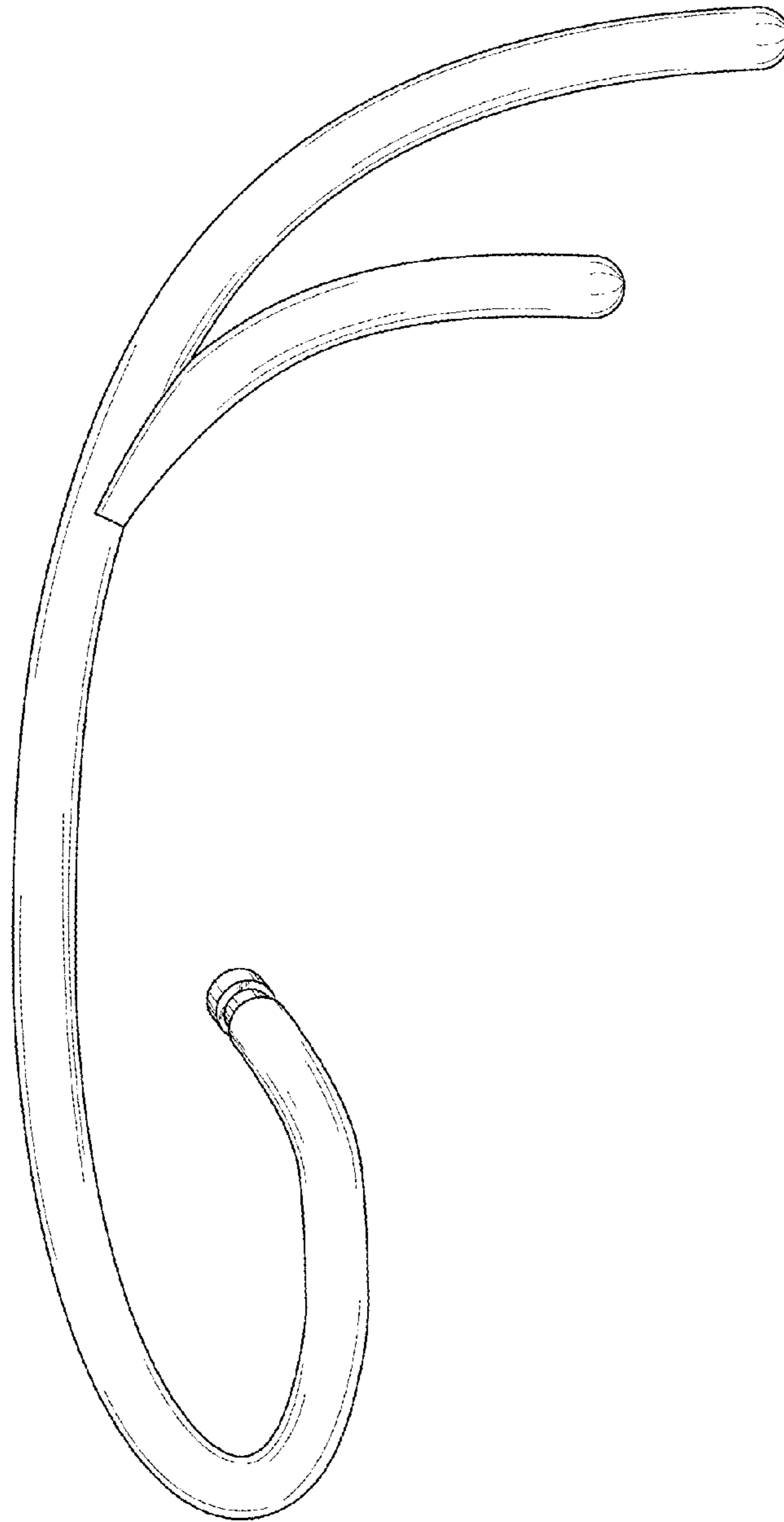


FIG. 3

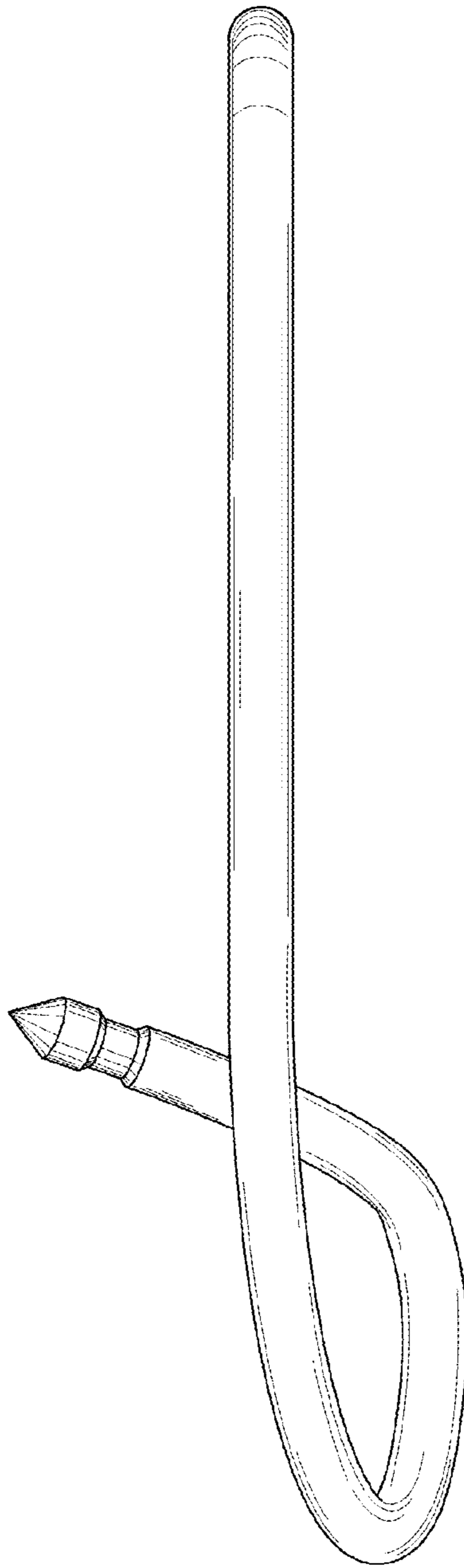


FIG. 4

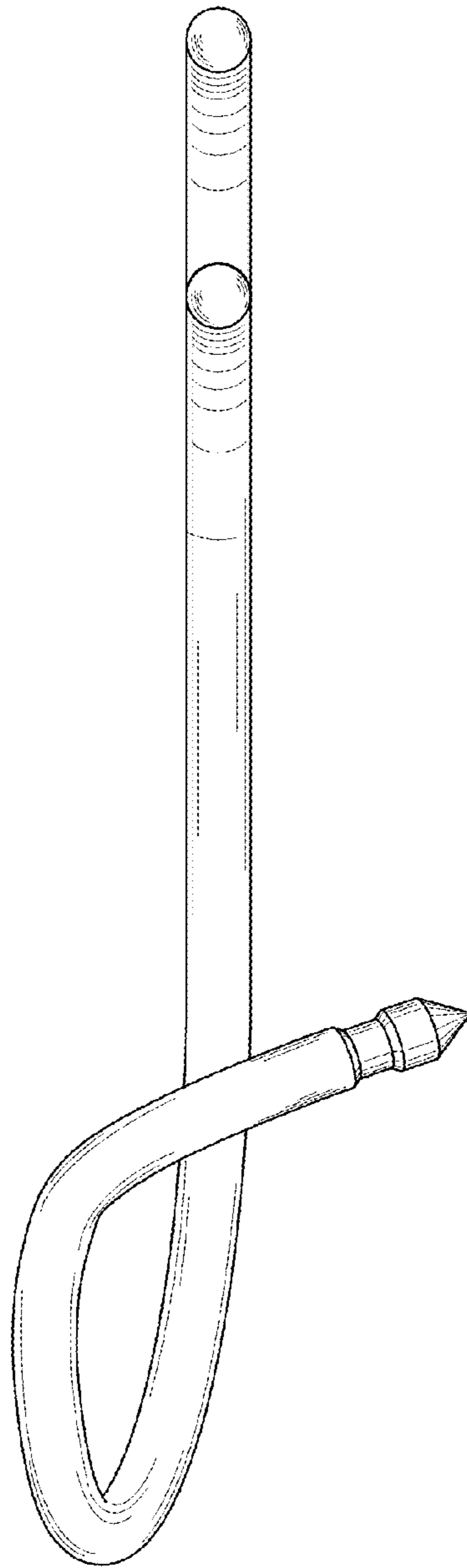


FIG. 5

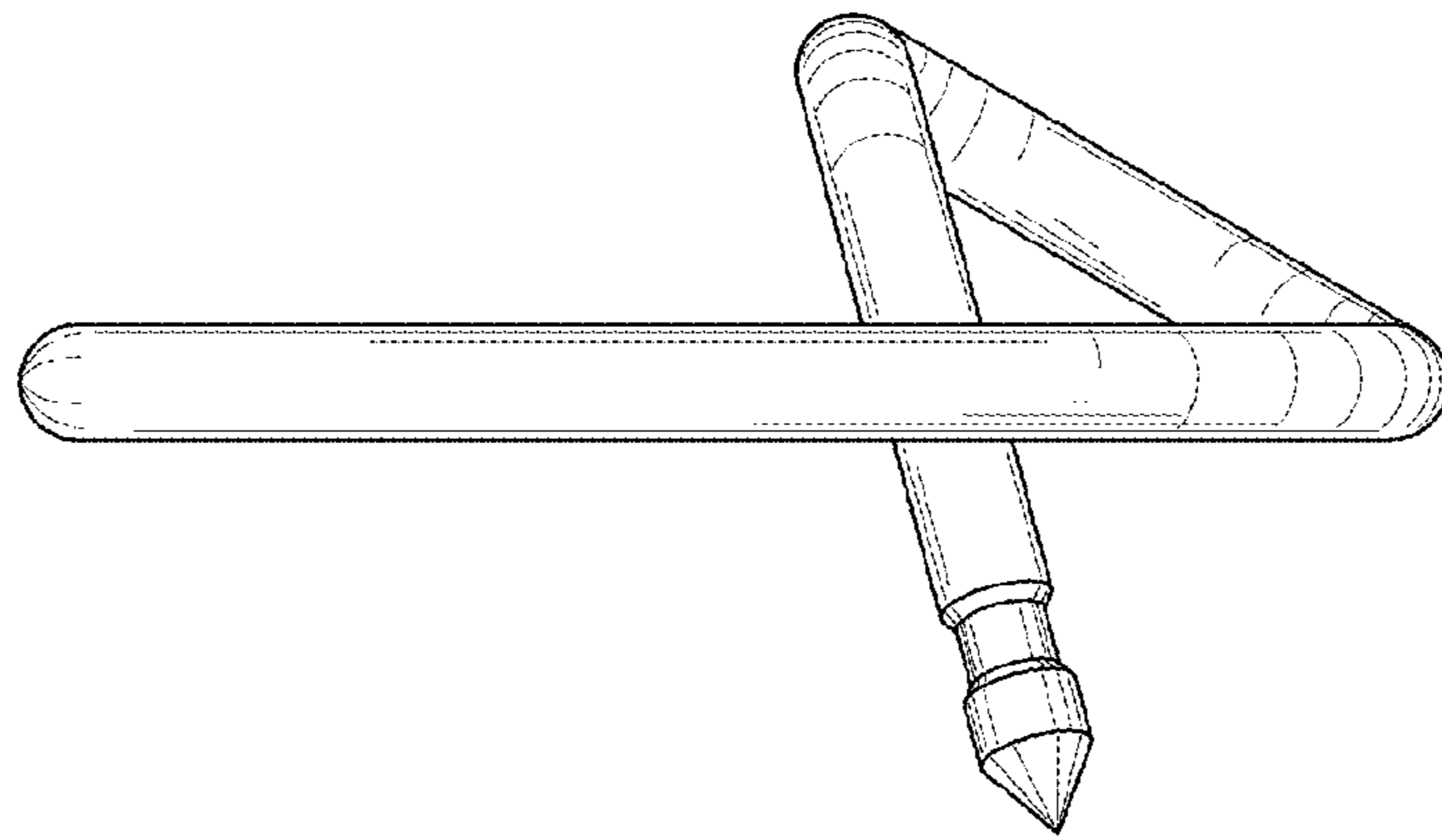


FIG. 6

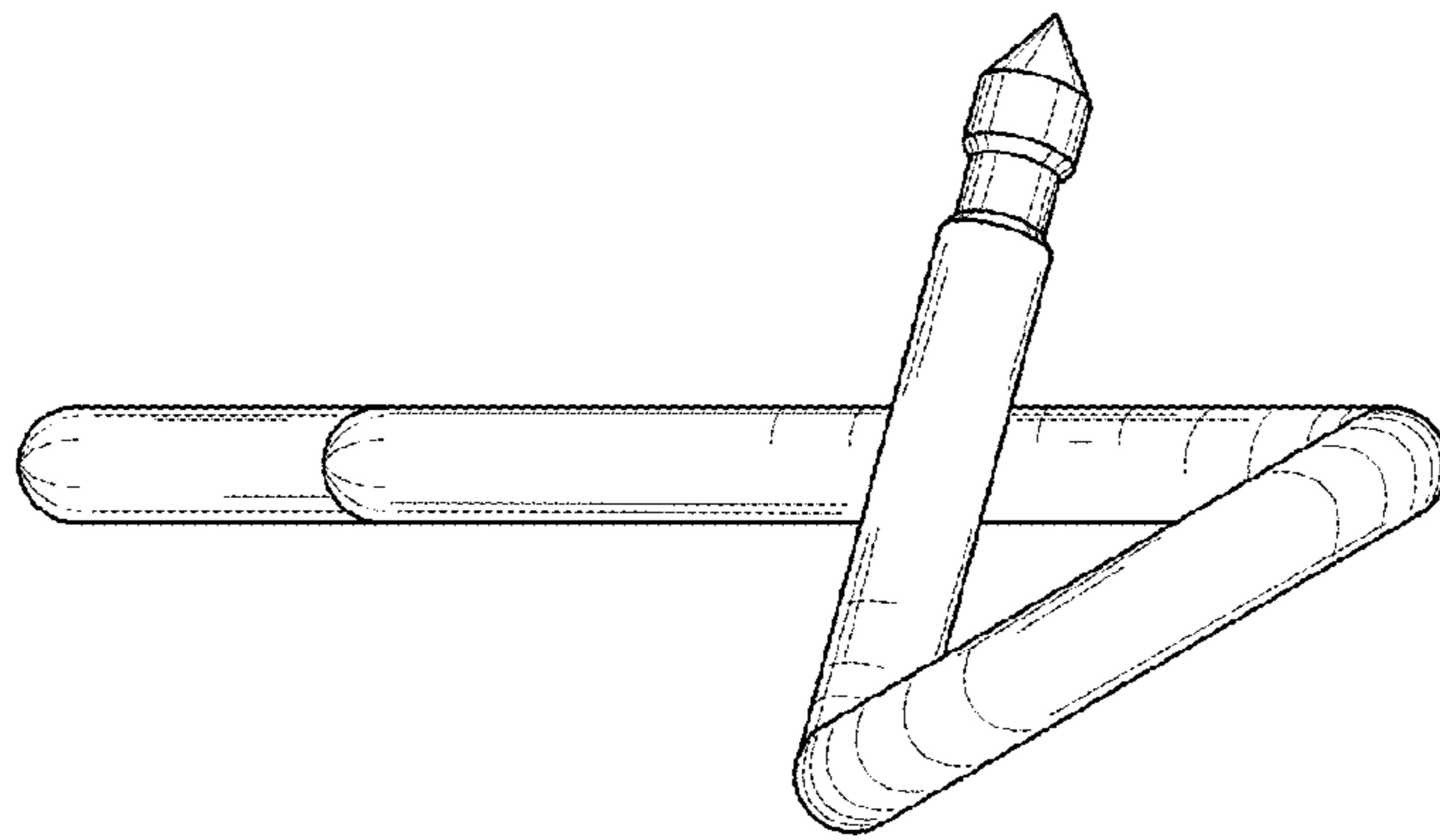


FIG. 7