

US00D720638S

(12) **United States Design Patent**  
**Rogers**

(10) **Patent No.:** **US D720,638 S**  
(45) **Date of Patent:** **\*\* Jan. 6, 2015**

- (54) **WATCH FACE**
- (75) Inventor: **Janice L. Rogers**, Cincinnati, OH (US)
- (73) Assignee: **Time Timer LLC**, Cincinnati, OH (US)
- (\*\*) Term: **14 Years**
- (21) Appl. No.: **29/432,081**
- (22) Filed: **Sep. 13, 2012**
- (51) **LOC (10) Cl.** ..... **10-07**
- (52) **U.S. Cl.**  
USPC ..... **D10/126; D10/125**
- (58) **Field of Classification Search**  
CPC ..... G04G 9/02; G04G 9/04; G04G 9/06  
USPC ..... D10/30-39, 122-126, 40, 15; 368/223,  
368/228, 232, 80, 28, 239, 240, 241, 242,  
368/29, 30, 82-84; D14/489  
See application file for complete search history.

4,312,055	A *	1/1982	Noble	.....	368/29
4,320,484	A *	3/1982	Burdet	.....	368/239
4,355,380	A	10/1982	Huguenin et al.		
4,364,672	A *	12/1982	Shibuya et al.	.....	368/240
4,382,696	A *	5/1983	Kumar et al.	.....	368/240
4,385,842	A *	5/1983	Wiesner	.....	368/242
4,435,046	A	3/1984	Nishimura		
4,459,034	A *	7/1984	Kawabata et al.	.....	368/240
D278,986	S *	5/1985	Houlihan et al.	.....	D10/125
4,540,242	A	9/1985	Shibuya et al.		
D293,425	S *	12/1987	Ichikawa	.....	D10/125
4,742,501	A	5/1988	Coster		
4,783,773	A	11/1988	Houlihan et al.		
D299,316	S *	1/1989	Vickery	.....	D10/15
4,893,291	A *	1/1990	Bick et al.	.....	368/10
D322,415	S *	12/1991	Ritchie	.....	D10/126
5,130,827	A *	7/1992	Pavone et al.	.....	349/68
D363,251	S *	10/1995	Gardner	.....	D10/126
D369,619	S	5/1996	Rogers		
5,662,479	A	9/1997	Rogers		
5,995,456	A	11/1999	Brewer et al.		
6,198,698	B1	3/2001	Graves		
D441,665	S *	5/2001	Giardiello	.....	D10/32
6,388,952	B2	5/2002	Kim		

(Continued)

(56) **References Cited**

U.S. PATENT DOCUMENTS

3,258,906	A *	7/1966	Demby	.....	368/240
3,456,152	A	7/1969	Andersen		
D217,003	S *	3/1970	Windebank	.....	D10/126
3,626,410	A *	12/1971	deKoster	.....	340/815.83
3,844,105	A *	10/1974	Kashio	.....	368/82
3,969,887	A *	7/1976	Fukumoto	.....	368/242
4,077,032	A *	2/1978	Volkman	.....	368/29
4,095,405	A *	6/1978	Tanaka	.....	368/34
4,198,810	A	4/1980	Fahrenschon		
4,204,399	A *	5/1980	Heynisch	.....	368/240
4,209,974	A *	7/1980	Noble	.....	368/84
4,211,067	A *	7/1980	Oda et al.	.....	368/185
4,242,747	A *	12/1980	Fahrenschon	.....	368/242
4,250,572	A	2/1981	Yoshida		
4,255,806	A	3/1981	Fahrenschon et al.		
4,264,970	A *	4/1981	Nishimura et al.	.....	368/242
4,277,840	A	7/1981	Sekiya et al.		

Primary Examiner — Lucy Lieberman

(74) *Attorney, Agent, or Firm* — Wood, Herron & Evans, LLP

(57) **CLAIM**

The ornamental design for a watch face, as shown and described.

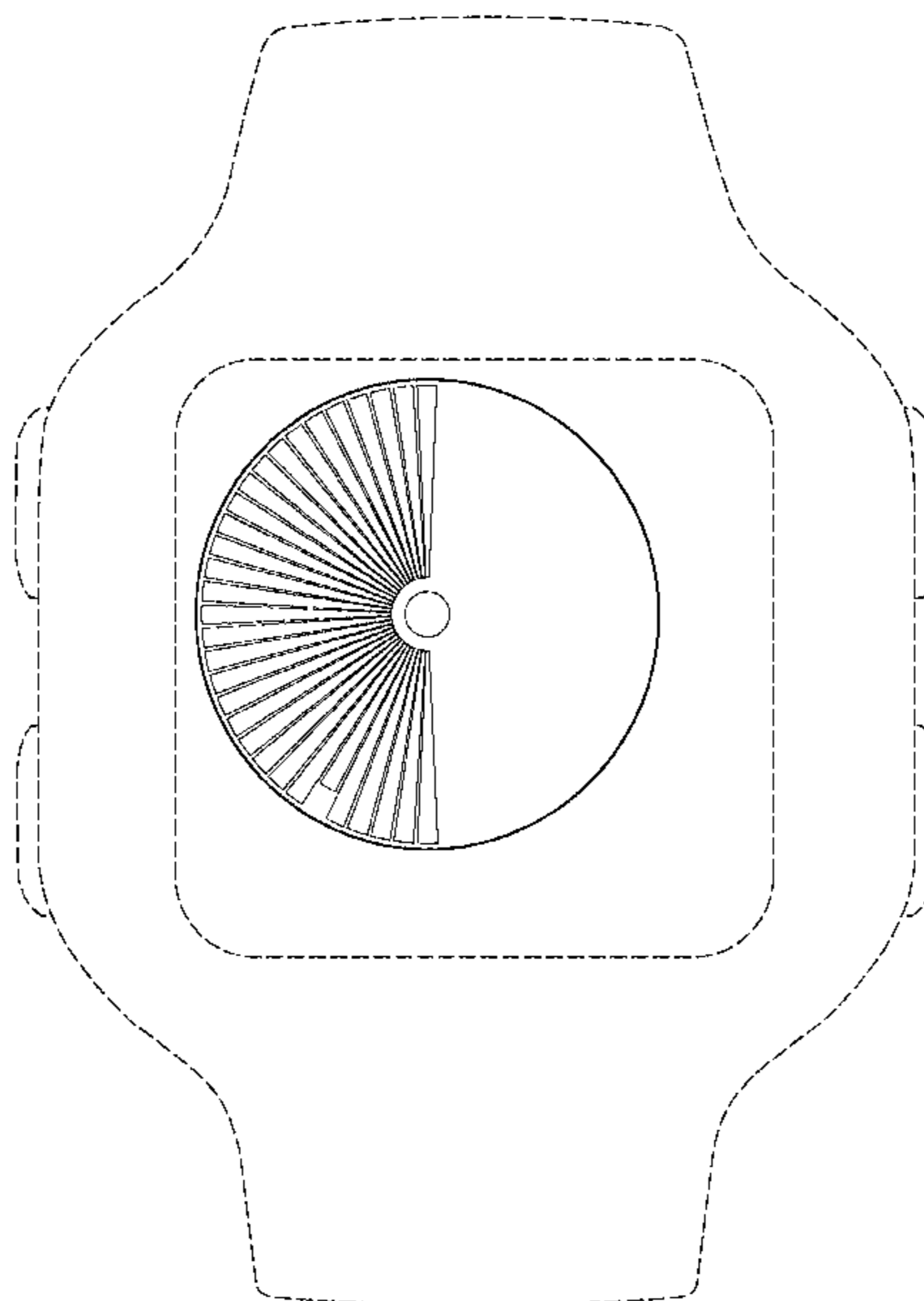
**DESCRIPTION**

FIG. 1 is a perspective view of a watch face showing my new design; and,

FIG. 2 is a top plan view thereof.

The wristwatch that is shown in broken lines in the drawings does not form part of the claimed design.

**1 Claim, 2 Drawing Sheets**



(56)

**References Cited**

U.S. PATENT DOCUMENTS

D532,017 S \* 11/2006 Gusmorino et al. .... D14/492  
D545,713 S \* 7/2007 Waldman ..... D10/125  
D586,682 S \* 2/2009 Waldman ..... D10/125

7,505,374 B2 3/2009 Booty, Jr. et al.  
D590,735 S \* 4/2009 Rogers ..... D10/126  
D621,415 S \* 8/2010 Umezawa ..... D14/492  
7,773,464 B2 8/2010 Rogers  
7,830,752 B2 11/2010 Rogers

\* cited by examiner

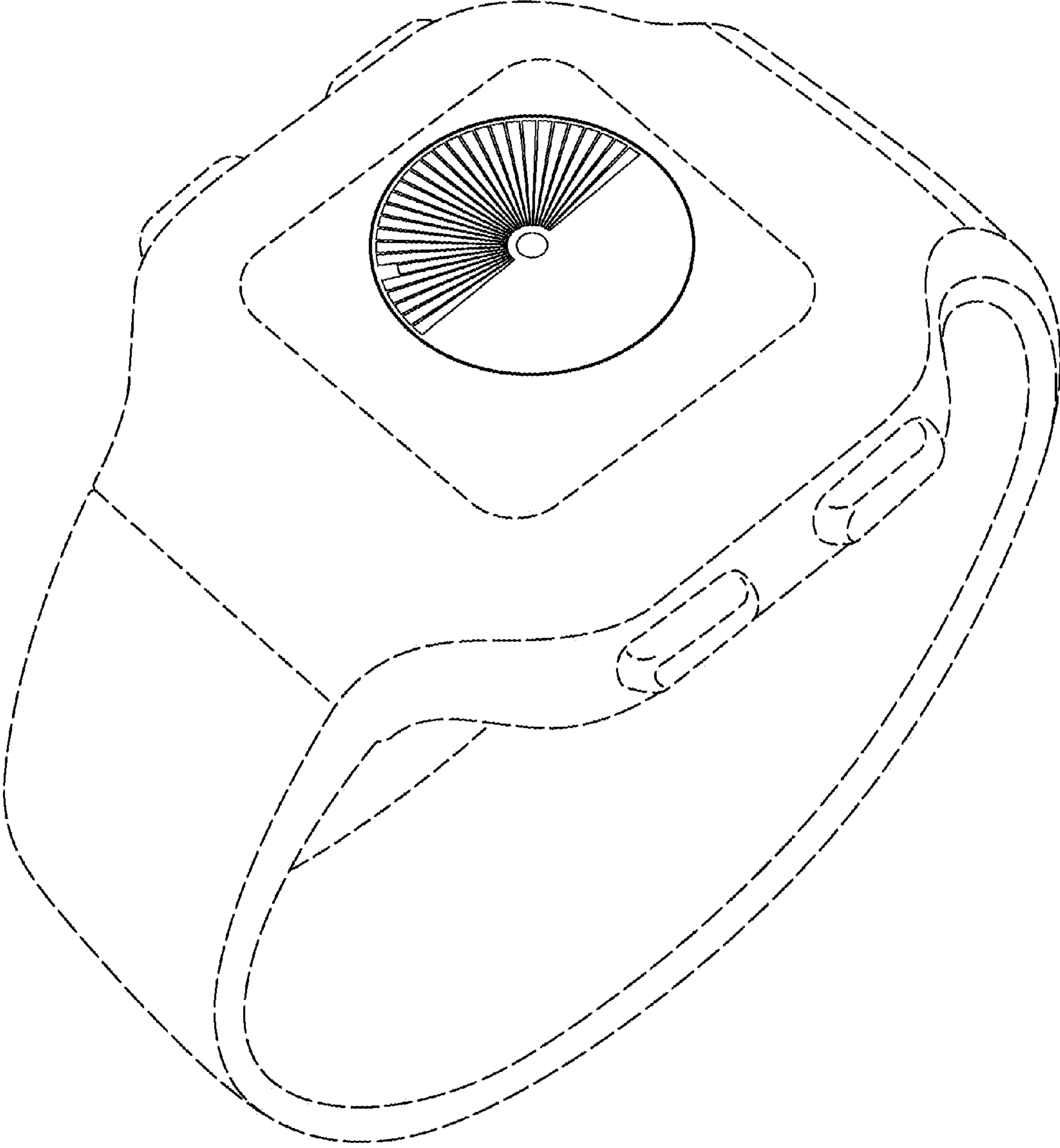


FIG. 1

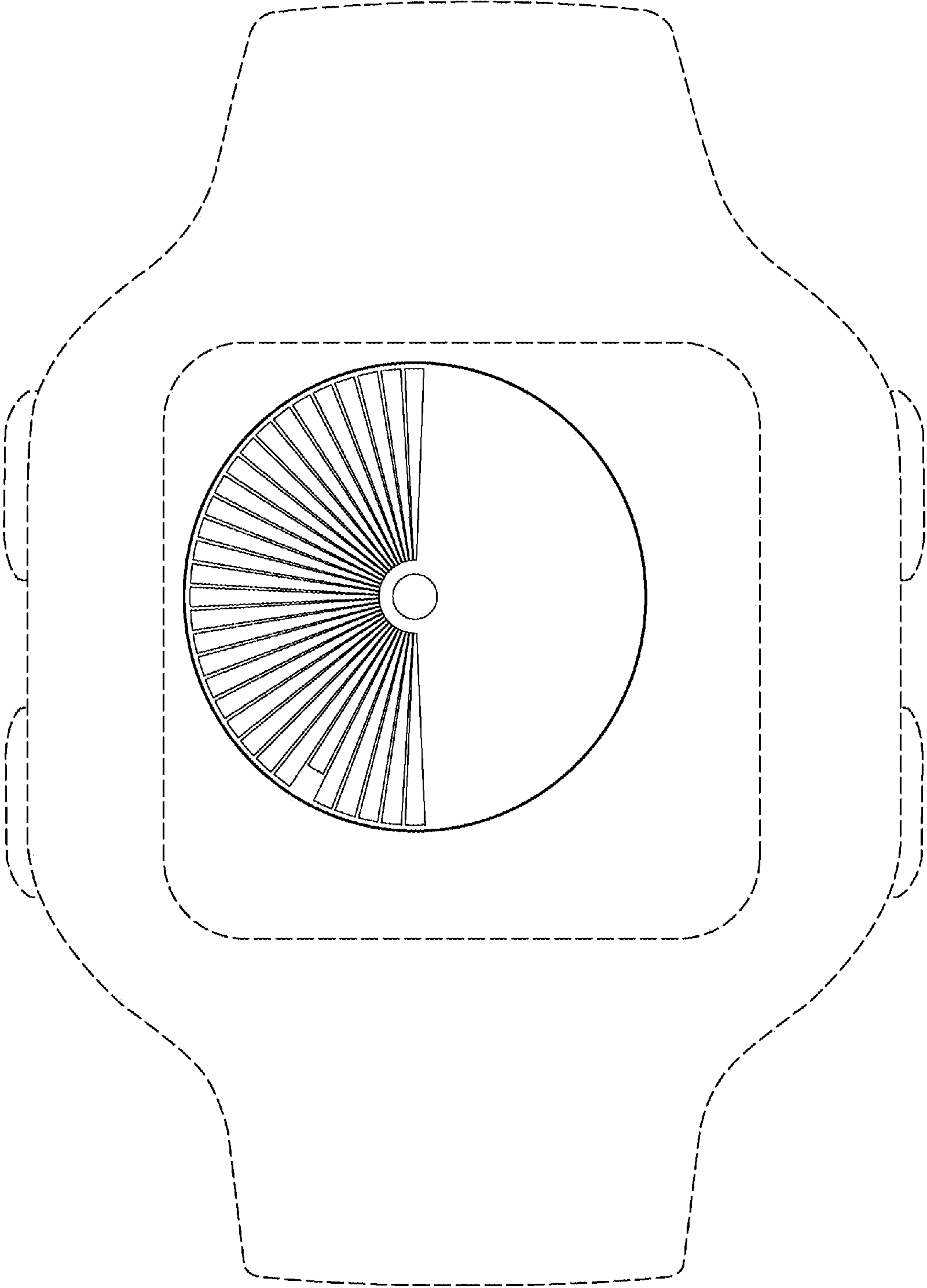


FIG. 2