



US00D720632S

(12) **United States Design Patent**  
**Lavoie**

(10) **Patent No.:** **US D720,632 S**  
(45) **Date of Patent:** **\*\* Jan. 6, 2015**

- (54) **THERMAL SENSOR**
- (71) Applicant: **BAE Systems Information and Electronic Systems Integration Inc.**, Nashua, NH (US)
- (72) Inventor: **Barry Lavoie**, Lowell, MA (US)
- (73) Assignee: **BAE Systems Information and Electronic Systems Integration Inc.**, Nashua, NH (US)
- (\*\*) Term: **14 Years**
- (21) Appl. No.: **29/472,368**
- (22) Filed: **Nov. 12, 2013**

6,160,666	A	12/2000	Rallison et al.	
6,717,737	B1	4/2004	Haglund	
6,900,777	B1	5/2005	Hebert et al.	
D535,574	S *	1/2007	Miller	D10/52
7,245,273	B2	7/2007	Eberl et al.	
D558,618	S *	1/2008	Renner et al.	D10/50
7,969,383	B2	6/2011	Eberl et al.	

**FOREIGN PATENT DOCUMENTS**

JP 2011145578 1/2010

**OTHER PUBLICATIONS**

Survivair SCBA: Business & Industrial | eBay. (n.d.). Electronics, Cars, Fashion, Collectibles, Coupons and More Online Shopping | eBay. Retrieved Oct. 14, 2013, from <http://www.ebay.com/bhp/survivair-scba>.

(Continued)

**Related U.S. Application Data**

- (63) Continuation-in-part of application No. 13/833,172, filed on Mar. 15, 2013.
- (51) **LOC (10) Cl.** ..... **10-04**
- (52) **U.S. Cl.**  
USPC ..... **D10/49; D10/52**
- (58) **Field of Classification Search**  
CPC ..... H04N 5/33; H04N 5/2251  
USPC ..... D10/49, 50, 52  
See application file for complete search history.

*Primary Examiner* — Antoine D Davis

(74) *Attorney, Agent, or Firm* — Sand & Sebolt

(57) **CLAIM**

The ornamental design for a thermal sensor, as shown and described.

**DESCRIPTION**

FIG. 1 is a front elevation view of the thermal sensor of the present invention.

FIG. 2 is a rear elevation view of the thermal sensor.

FIG. 3 is a right side elevation view of the thermal sensor.

FIG. 4 is a left side elevation view of the thermal sensor.

FIG. 5 is a top plan view of the thermal sensor; and,

FIG. 6 is a bottom plan view of the thermal sensor.

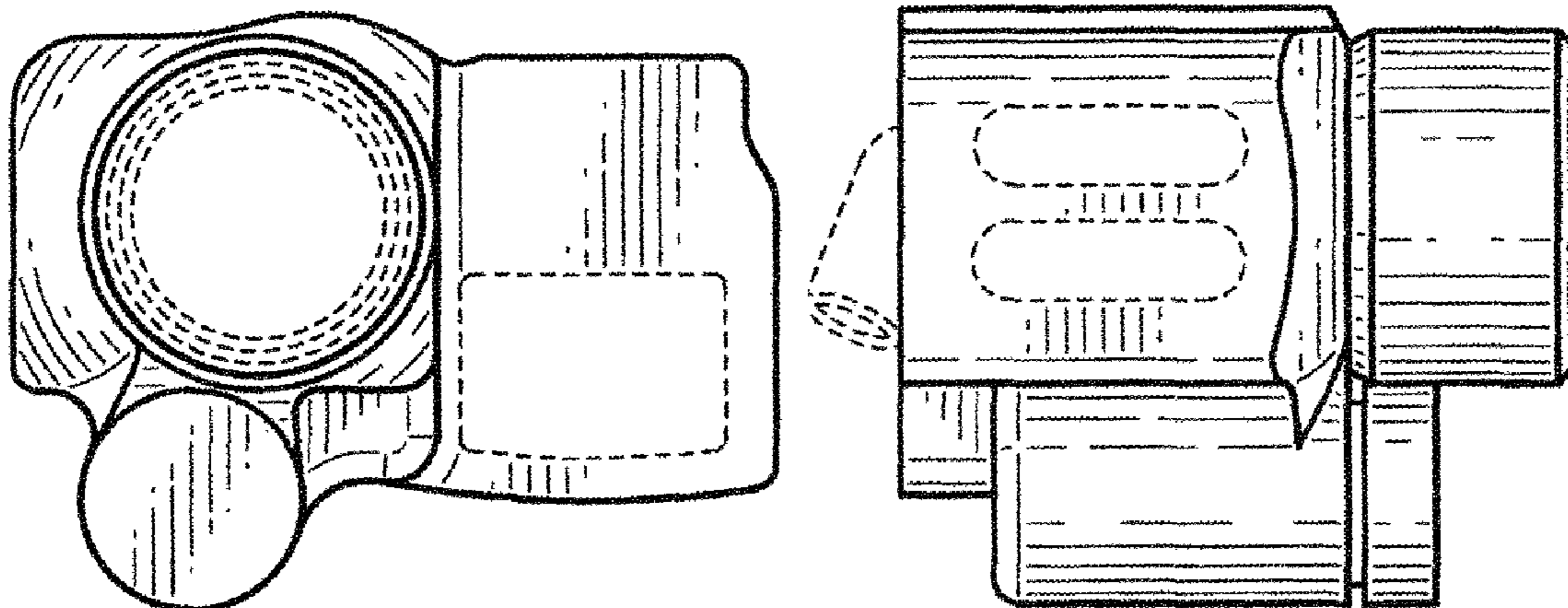
The broken lines illustrate portions of the thermal sensor which form no part of the claimed design.

**1 Claim, 1 Drawing Sheet**

(56) **References Cited**

**U.S. PATENT DOCUMENTS**

4,653,879	A	3/1987	Filipovich
4,655,562	A	4/1987	Kreitzer et al.
5,200,827	A	4/1993	Hanson et al.
5,379,140	A	1/1995	Michel et al.
5,581,271	A	12/1996	Kraemer



(56)

**References Cited**

OTHER PUBLICATIONS

OES Products Group. (n.d.). OES Products Group. Retrieved Oct. 14, 2013, from <http://www.theoesgroup.com/>.

Air Soft Extreme. (n.d.). Air Soft Extreme. Retrieved Oct. 14, 2013, from [www.airsoftextreme.com/store/index.php?main\\_page=product\\_info&cPath=254\\_671&products\\_id=6793&zenid=osl8ng6c6pmdvk5be62n0dem50](http://www.airsoftextreme.com/store/index.php?main_page=product_info&cPath=254_671&products_id=6793&zenid=osl8ng6c6pmdvk5be62n0dem50).

MSA MSA Ultra Elite(TM) SCBA Respirator, S—Full Face Respirators—4AFU9110084690—Grainger Industrial Supply. (n.d.). Grainger Industrial Supply—MRO Supplies, MRO Equipment,

Tools & Solutions. Retrieved Oct. 14, 2013, from <http://www.grainger.com/Grainger/MSA-Full-Face-Respirator-4AFU9>.

Dräger FPS-COM-PLUS. (n.d.). Home. Retrieved Oct. 14, 2013, from [http://www.draeger.com/sites/enus\\_us/Pages/Oil-Gas-Industry/Draeger-FPS-COM-PLUS.aspx](http://www.draeger.com/sites/enus_us/Pages/Oil-Gas-Industry/Draeger-FPS-COM-PLUS.aspx).

Arayem Trade—Scott Sabre self contained breathing apparatus. (n.d.). Arayem Trade—Home. Retrieved Oct. 14, 2013, from [http://arayemtrade.com/sabre\\_self\\_contained\\_breathing\\_apparatus](http://arayemtrade.com/sabre_self_contained_breathing_apparatus).

Paul Ridden, “World First GPS Goggles With Head Mounted Display,” *Wearable Electronics*, Oct. 8, 2010.

\* cited by examiner

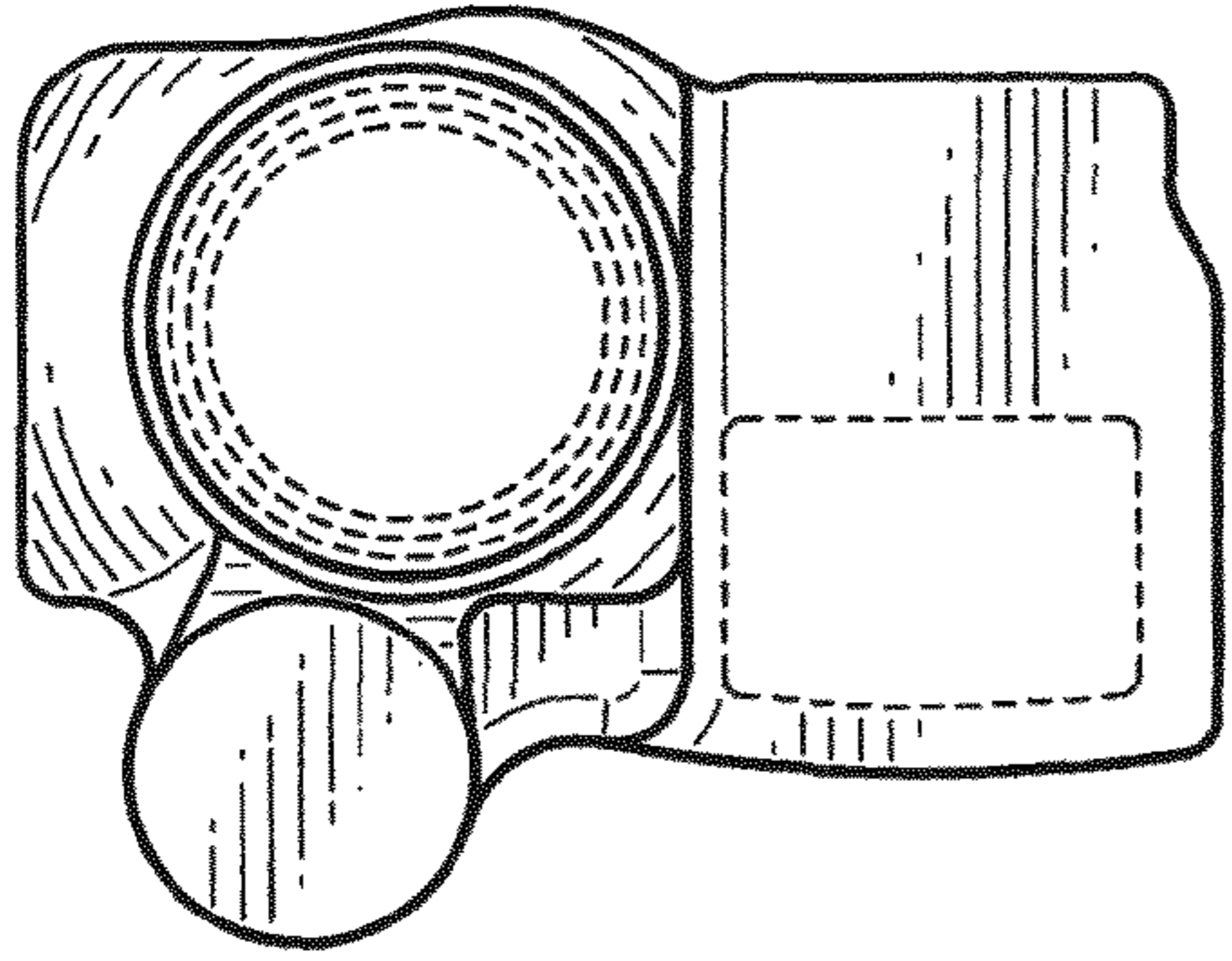


FIG-1

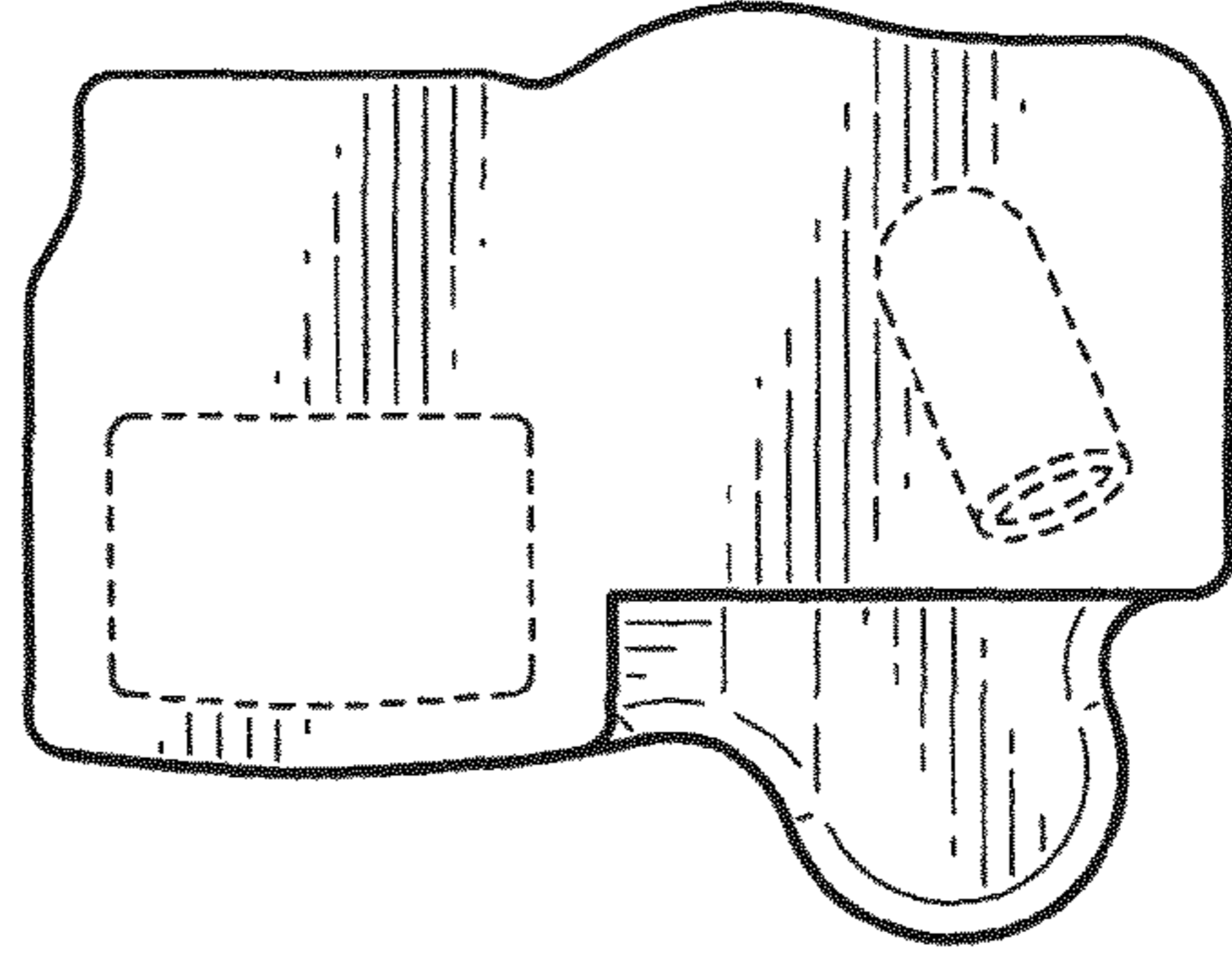


FIG-2

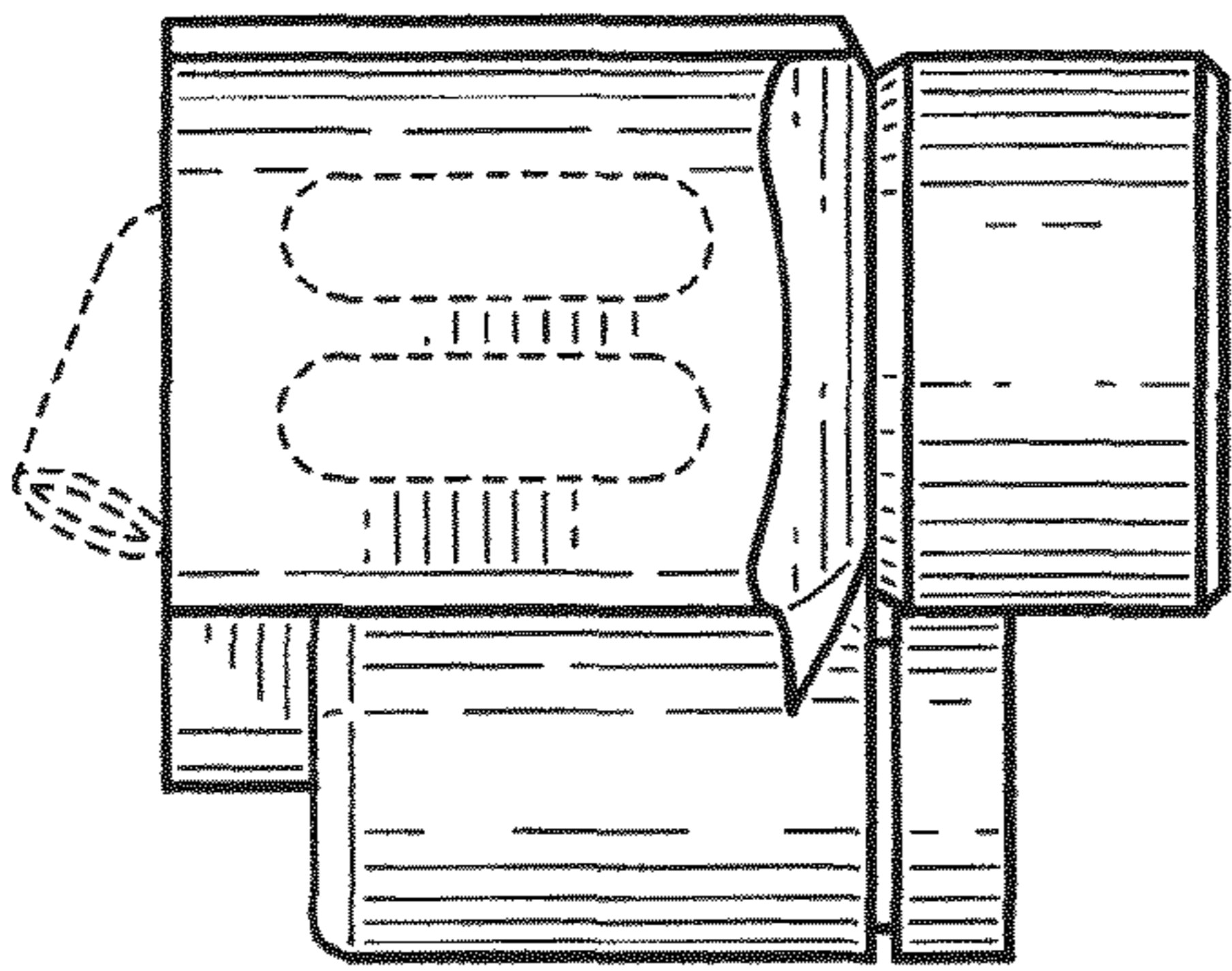


FIG-3

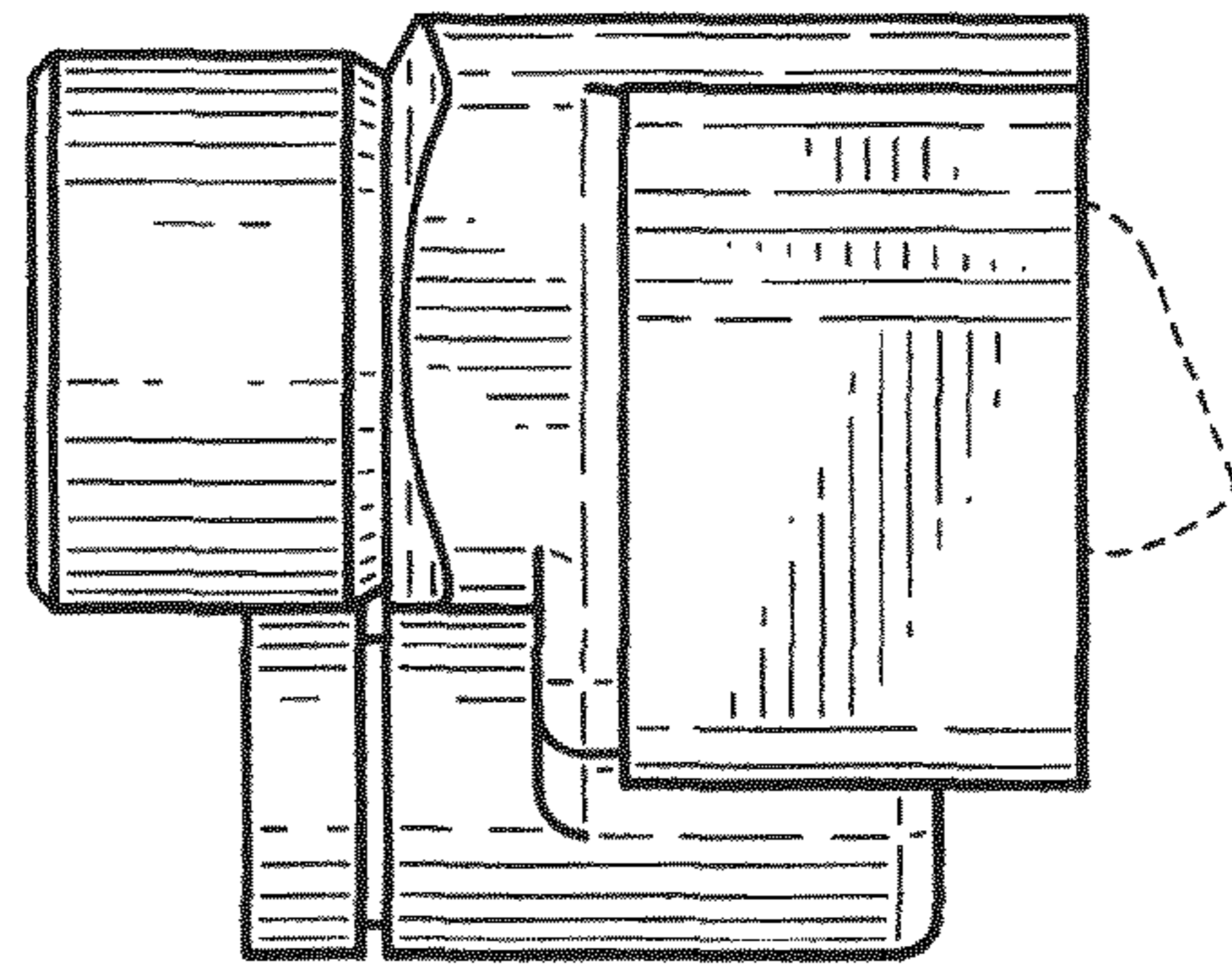


FIG-4

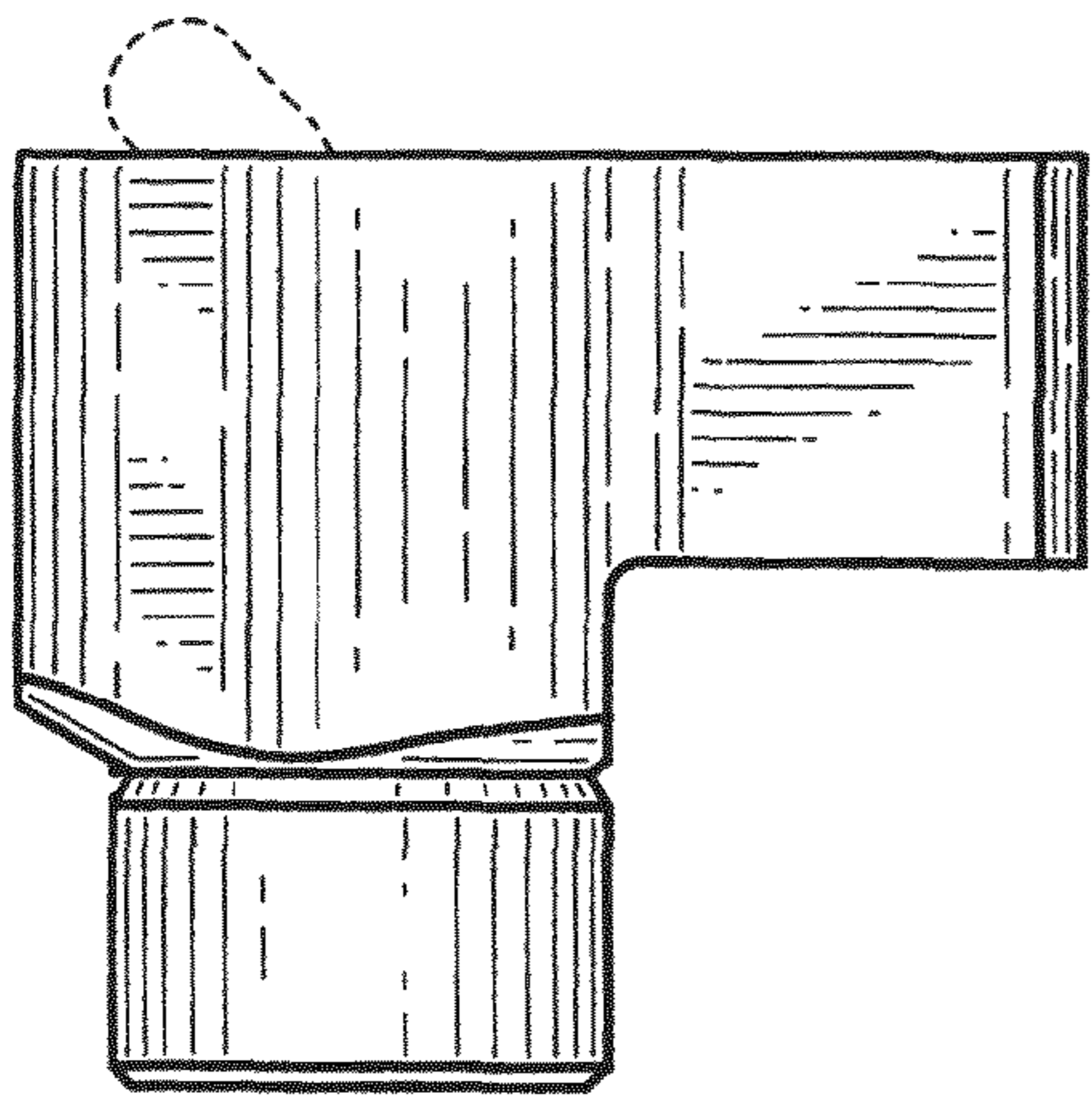


FIG-5

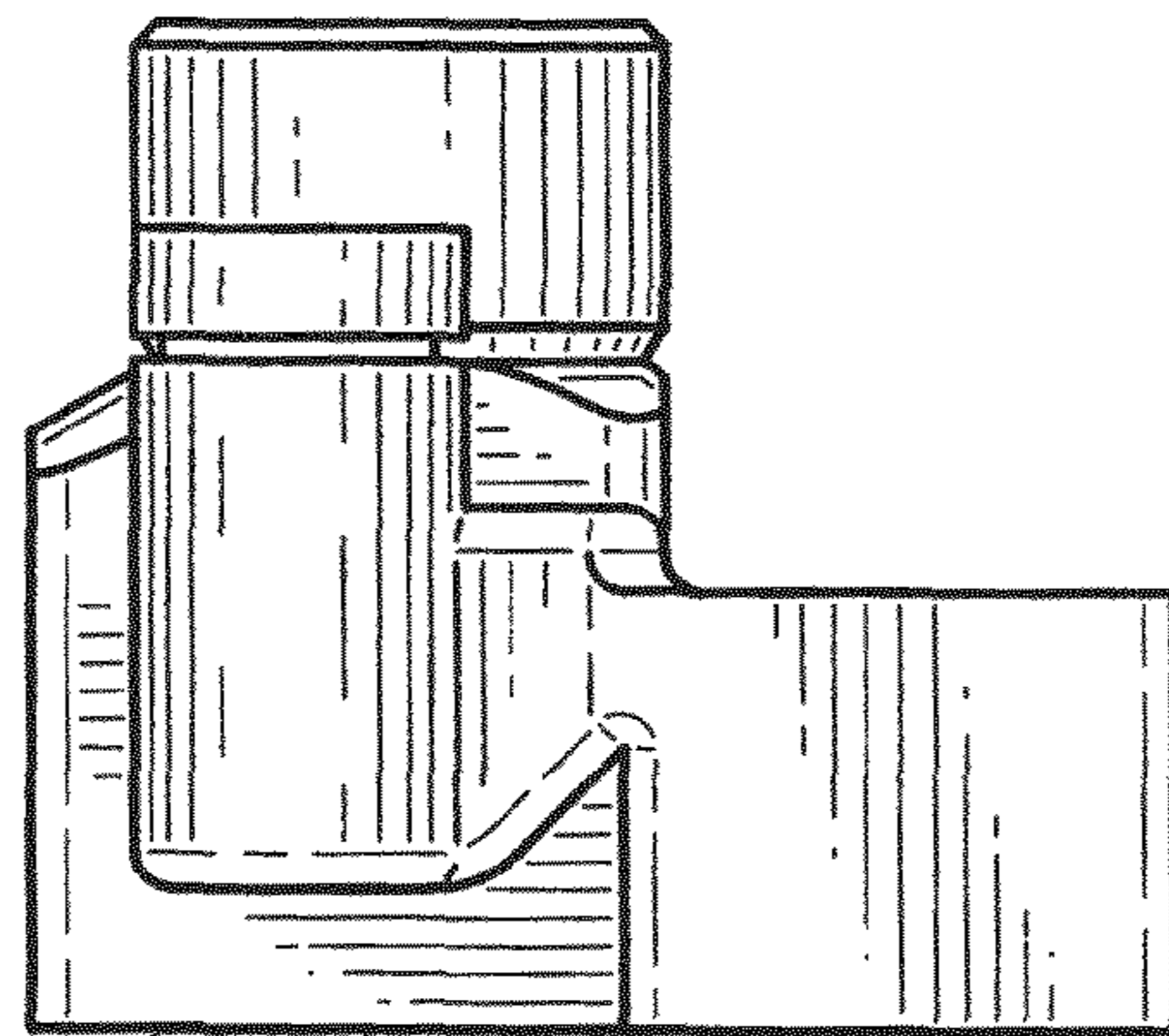


FIG-6