



US00D720631S

(12) **United States Design Patent**
Logue

(10) **Patent No.:** **US D720,631 S**
(45) **Date of Patent:** **** Jan. 6, 2015**

(54) **MEASURING CAP**

(75) Inventor: **Anthony Thomas Logue**, Yowie Bay (AU)

(73) Assignee: **Logue and Co. Pty Ltd.**, Yowie Bay (AU)

(**) Term: **14 Years**

(21) Appl. No.: **29/431,511**

(22) Filed: **Sep. 7, 2012**

(30) **Foreign Application Priority Data**

Mar. 12, 2012 (AU) 11307/2012

(51) **LOC (10) Cl.** **10-04**

(52) **U.S. Cl.**
USPC **D10/46.2**

(58) **Field of Classification Search**

USPC D10/46.2, 46, 46.3, 52, 60, 74, 103, 66;
D7/368, 665, 387, 397, 510, 511,
D7/300.1, 301, 302, 303, 316, 304, 305,
D7/312, 313, 314, 315, 317, 392, 392.1,
D7/300; D24/224; D23/260; D9/440, 447,
D9/449, 452-454; 220/665; 222/566, 23,
222/158, 205, 207, 442, 568, 562, 569;
141/381; 422/908, 910, 425, 912, 527,
422/556, 500, 547; 215/28, 17, 277, 316,
215/318, 328, 18, 21, 25, 29, 44, 45, 54,
215/214, 218, 223, 272, 283, 314, 320, 329,
215/355, 356, 357, 382, 390, 228, 386, 41,
215/901, 297

See application file for complete search history.

(56) **References Cited**

U.S. PATENT DOCUMENTS

812,804 A * 2/1906 Bennett 215/29
814,503 A * 3/1906 Andersen et al. 215/6

910,093 A * 1/1909 Standard 215/21
1,749,253 A * 3/1930 Levy 222/109
2,105,051 A * 1/1938 Myers 222/153.05
2,108,692 A * 2/1938 Pieck 141/381
2,479,007 A * 8/1949 Gruben 73/429
2,559,168 A * 7/1951 Numbers 141/381
2,762,526 A * 9/1956 Gilmour 141/95
2,839,928 A * 6/1958 Fohrman 73/429
3,788,528 A * 1/1974 Ogle 222/209
3,828,961 A * 8/1974 Lewis 215/223
D246,511 S * 11/1977 Libit D9/452
4,135,404 A * 1/1979 Butler, Jr. 73/426
4,269,319 A * 5/1981 Rubens 215/228
4,342,408 A * 8/1982 Boring et al. 222/566
D301,007 S * 5/1989 Laski D7/387
4,911,314 A * 3/1990 Schneider 215/228
5,108,016 A * 4/1992 Waring 222/468
D355,119 S * 2/1995 Zimmermann et al. D9/440
5,819,994 A * 10/1998 Leipold 222/541.9
5,881,894 A * 3/1999 Gargano 215/228
5,944,208 A * 8/1999 Gale 215/296
D453,572 S * 2/2002 Livecchi D24/224
D578,390 S * 10/2008 Green D9/440

(Continued)

Primary Examiner — Ian Simmons

Assistant Examiner — Shannon Morgan

(74) *Attorney, Agent, or Firm* — Sughrue Mion, PLLC

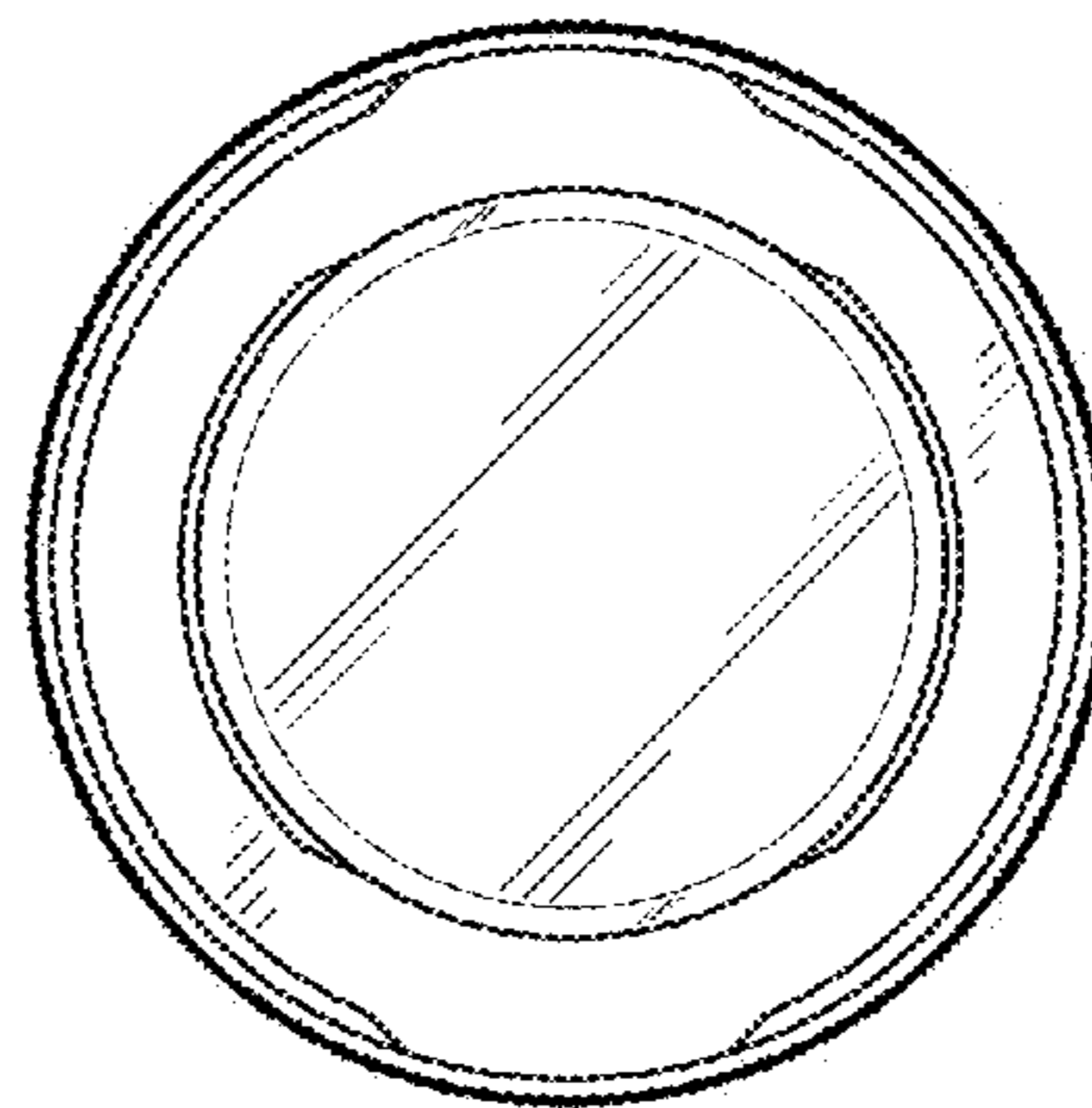
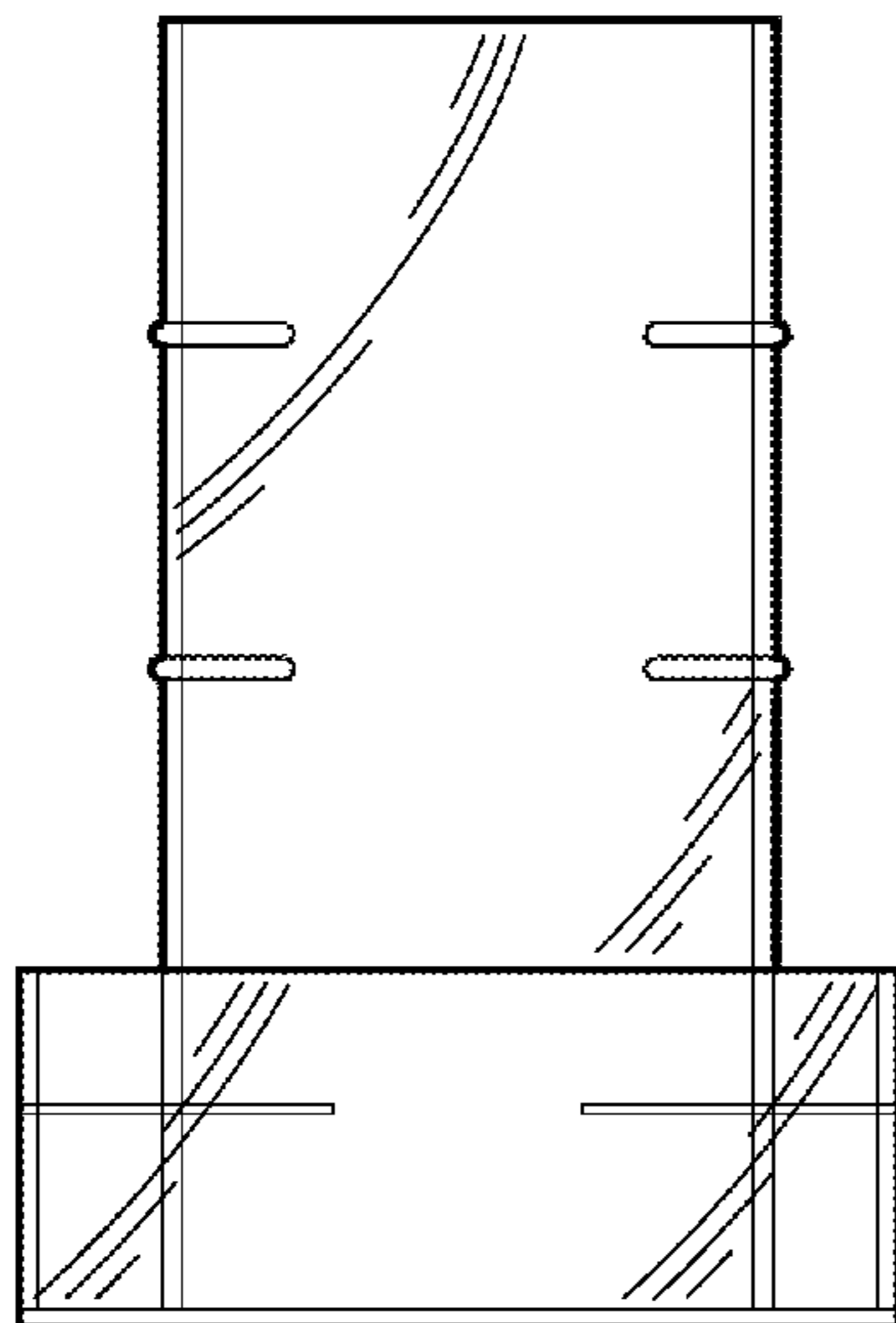
(57) **CLAIM**

The ornamental design for a measuring cap, as shown and described.

DESCRIPTION

FIG. 1 is a left side elevational view of a measuring cap showing my new design;
FIG. 2 is a right side elevational view thereof;
FIG. 3 is a front elevational view thereof;
FIG. 4 is a rear elevational view thereof;
FIG. 5 is a top plan view thereof; and,
FIG. 6 is a bottom plan view thereof.

1 Claim, 2 Drawing Sheets



(56)

References Cited

U.S. PATENT DOCUMENTS

D647,210 S	*	10/2011	Wilkinson	D24/224	8,499,968 B2 *	8/2013	Aviram	222/1
D660,149 S	*	5/2012	Grace	D9/447	D690,596 S *	10/2013	Logue	D9/447
D670,578 S	*	11/2012	Perry et al.	D10/46.2	2003/0196985 A1 *	10/2003	Wheeler	215/277
D678,767 S	*	3/2013	Haley	D9/440	2010/0206836 A1 *	8/2010	Koshidaka et al.	215/355
						2013/0233821 A1 *	9/2013	Golden	215/228

* cited by examiner

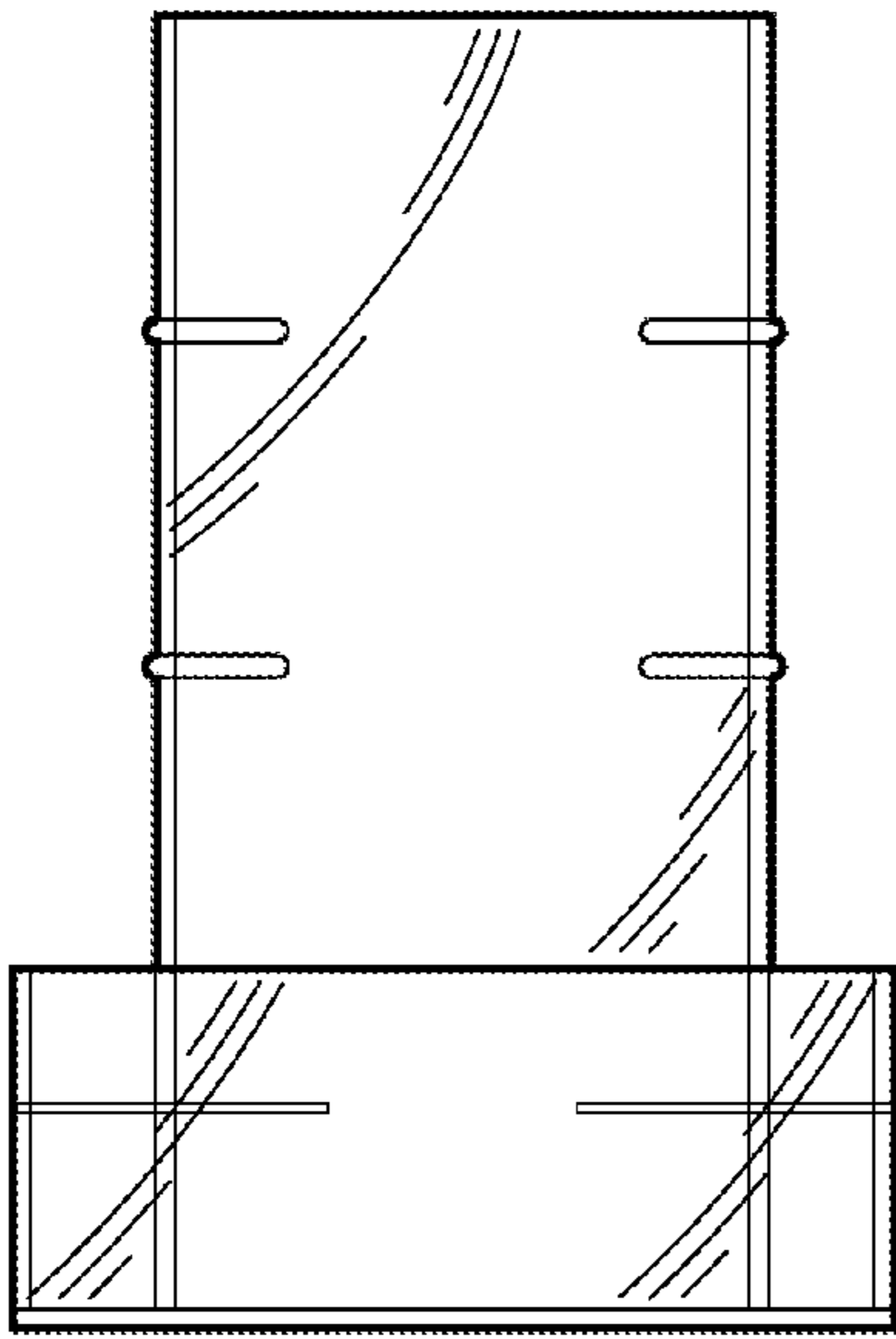


FIG. 1

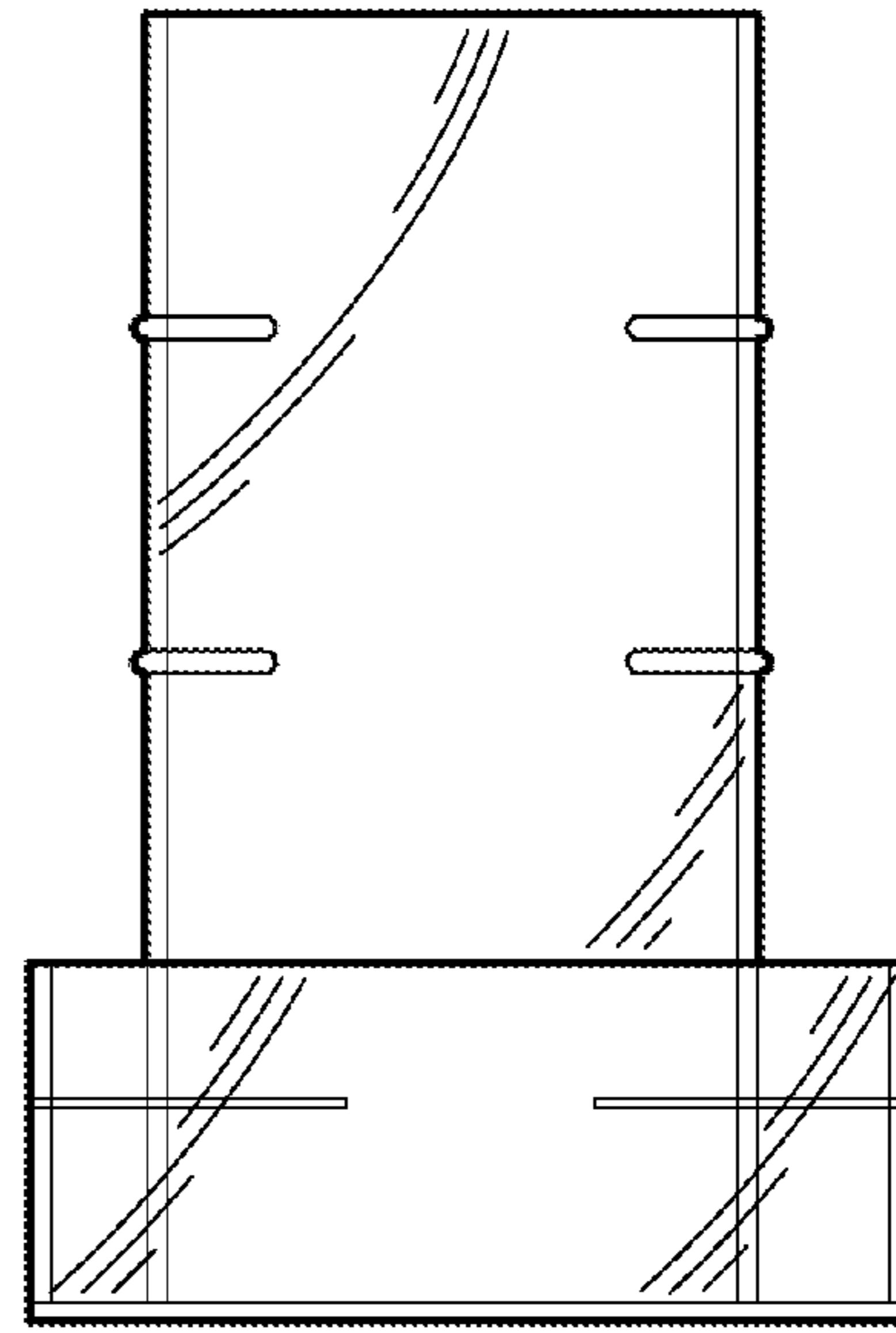


FIG. 2

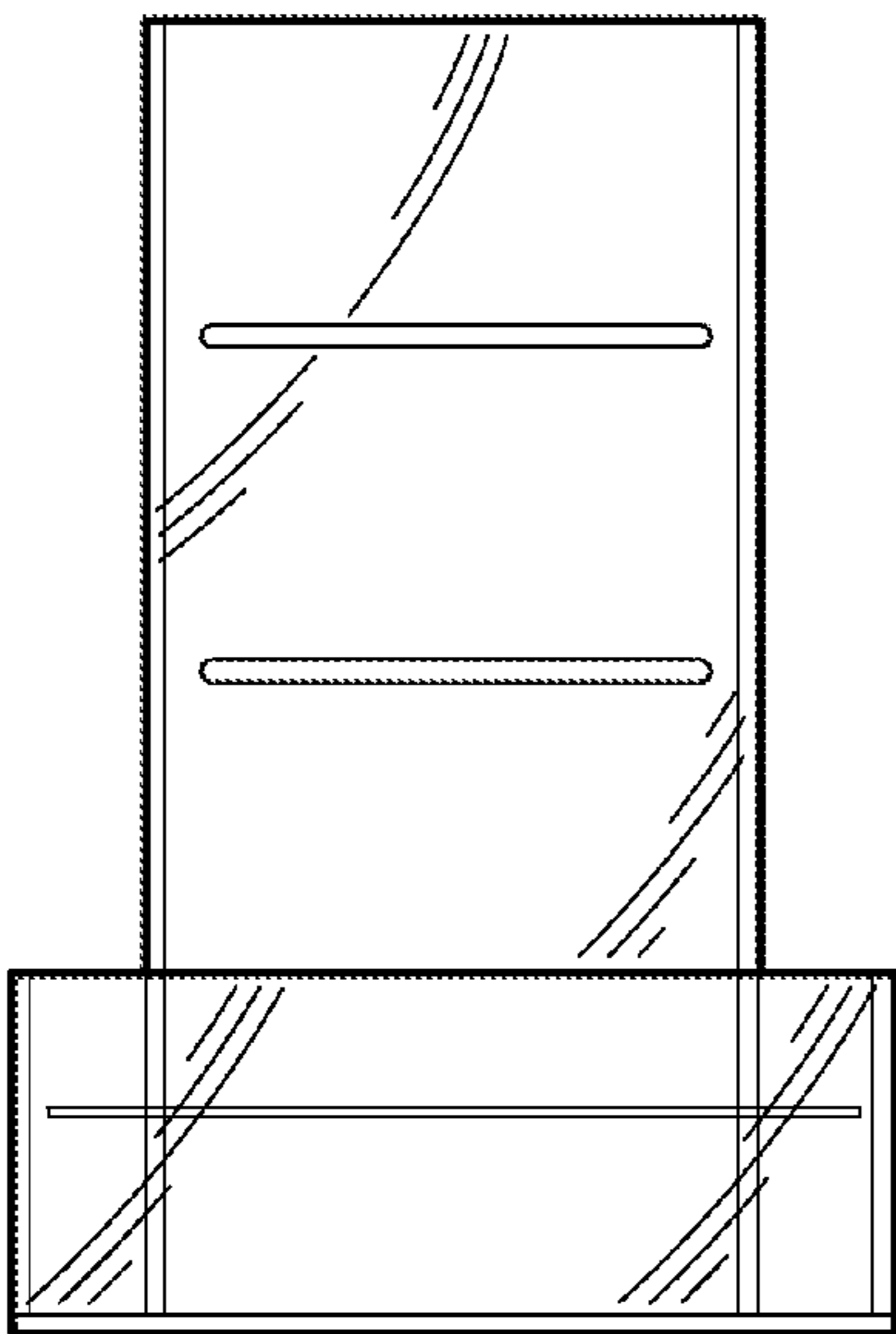


FIG. 3

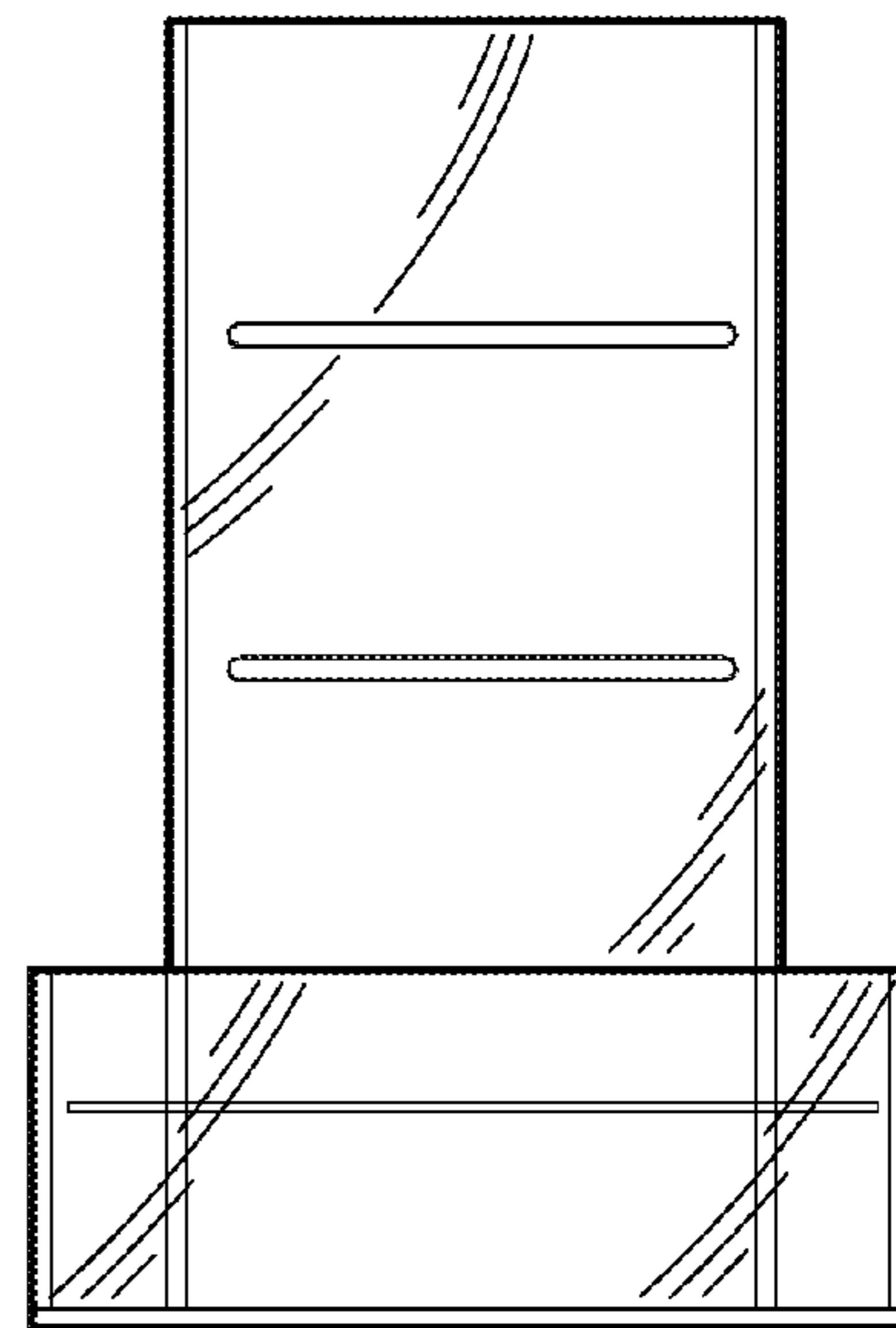


FIG. 4

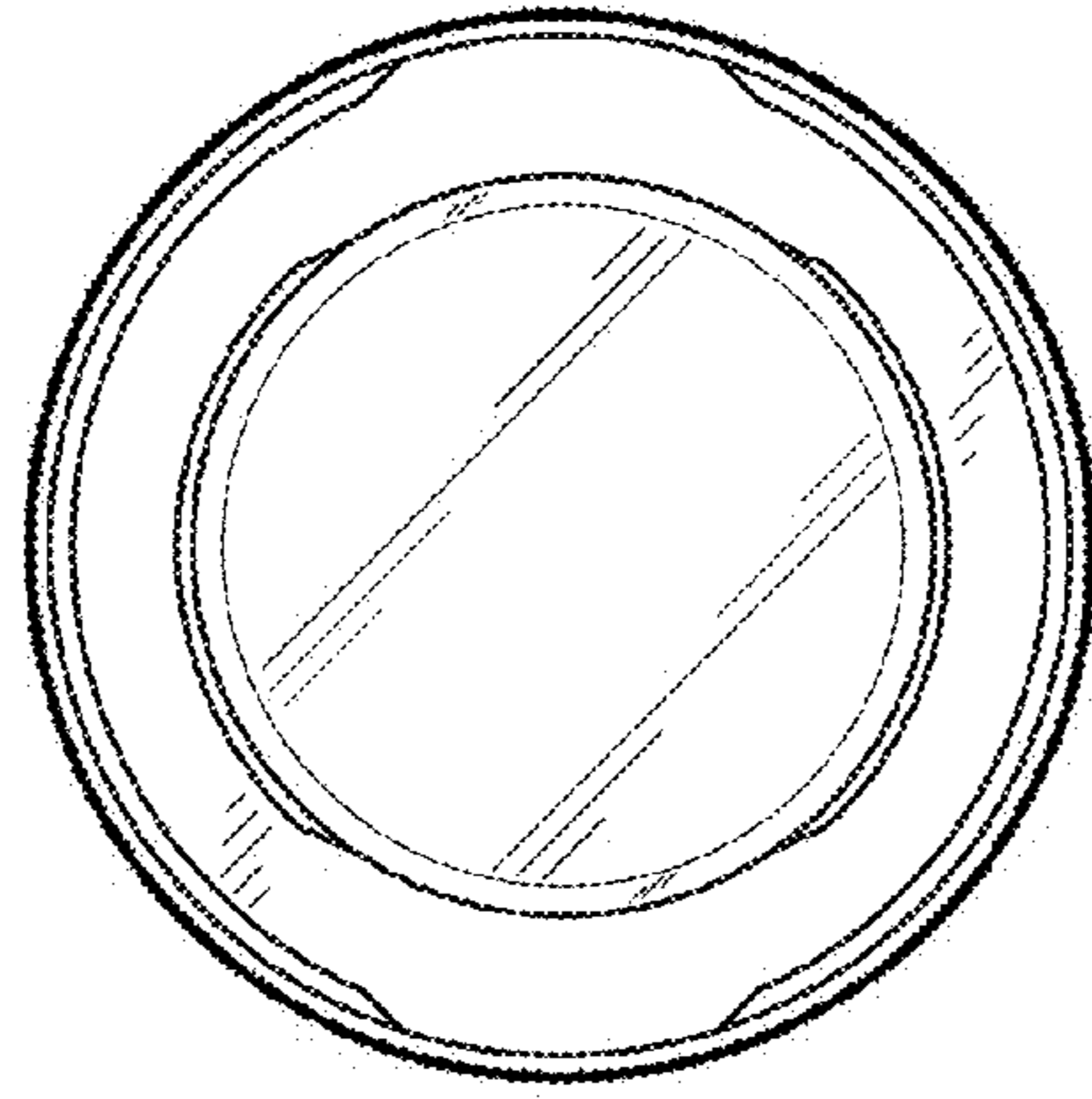


FIG. 5

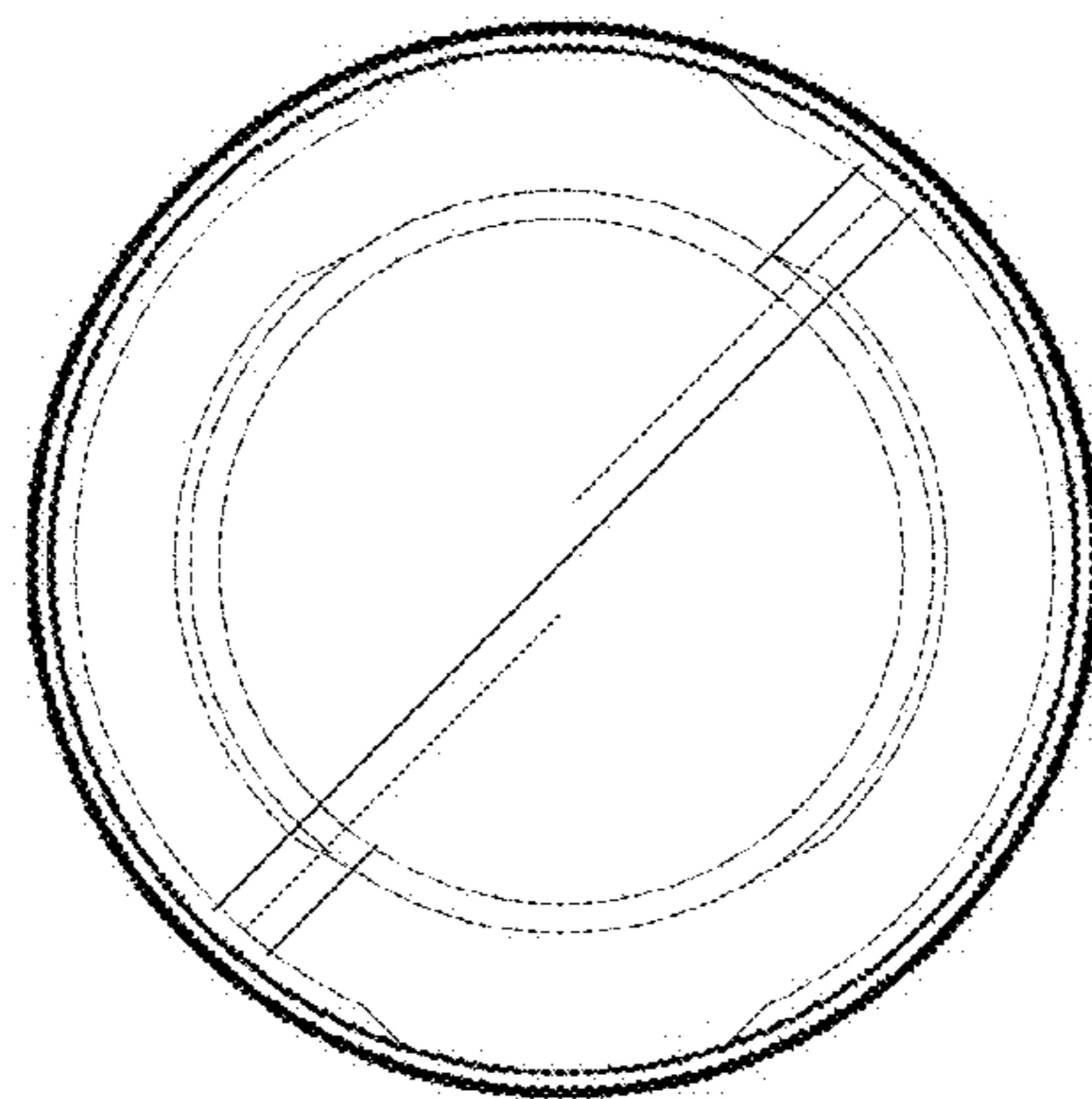


FIG. 6