



US00D720630S

(12) **United States Design Patent**  
**Nashimoto**

(10) **Patent No.:** **US D720,630 S**  
(45) **Date of Patent:** **\*\* Jan. 6, 2015**

(54) **WRIST WATCH**

(75) Inventor: **Mahito Nashimoto**, Paris (FR)

(73) Assignee: **Swarovski Aktiengesellschaft**, Triesen (LI)

(\*\*) Term: **14 Years**

(21) Appl. No.: **29/423,767**

(22) Filed: **Jun. 5, 2012**

(30) **Foreign Application Priority Data**

Dec. 22, 2011 (EM) ..... 001966805-0001

(51) **LOC (10) Cl.** ..... **10-02**

(52) **U.S. Cl.**

USPC ..... **D10/32**; D10/38

(58) **Field of Classification Search**

CPC ..... A44C 5/00; A44C 5/105; G04B 37/00;  
G04B 37/02; G04B 45/00; G04B 45/0076;  
G04B 47/04; G04B 47/042; G04B 47/044;  
G04B 47/046

USPC ..... D10/122-132, 1-29, 30-39; 368/10,  
368/15-17, 21, 22, 28, 29, 76, 78, 80, 82,  
368/88, 107, 113, 239, 242, 276, 281, 285,  
368/306, 308; 428/131

See application file for complete search history.

(56) **References Cited**

**U.S. PATENT DOCUMENTS**

D179,372 S \* 12/1956 Bauer ..... D10/39  
4,253,178 A \* 2/1981 Kolaczia ..... 368/285  
D262,609 S \* 1/1982 Kurowsky ..... D10/39  
5,319,615 A \* 6/1994 Ng ..... 368/276  
D356,971 S \* 4/1995 Newman ..... D10/128

D370,859 S \* 6/1996 Scheufele ..... D10/39  
D386,979 S \* 12/1997 Kubisch ..... D10/32  
D399,447 S \* 10/1998 Pandel ..... D10/128  
6,053,630 A \* 4/2000 Polansky et al. .... 368/281  
6,388,953 B1 \* 5/2002 Wu ..... 368/76  
D476,907 S \* 7/2003 Calvani et al. .... D10/32  
D507,974 S \* 8/2005 Strasser ..... D10/30  
D509,449 S \* 9/2005 Scheufele ..... D10/39  
D532,320 S \* 11/2006 Arabo ..... D10/38  
D546,718 S \* 7/2007 Gruosi-Scheufele ..... D10/39  
D559,130 S \* 1/2008 Laucella ..... D10/39  
D560,513 S \* 1/2008 Glassman ..... D10/39  
D578,023 S \* 10/2008 Rochat ..... D10/32  
D591,176 S \* 4/2009 Monachon ..... D10/32  
D592,980 S \* 5/2009 Laucella ..... D10/39  
D596,050 S \* 7/2009 Monachon ..... D10/32  
D642,074 S \* 7/2011 Chastaingt ..... D10/32  
D649,888 S \* 12/2011 Jamin ..... D10/32  
2010/0323154 A1 \* 12/2010 Sharobiem ..... 428/131

\* cited by examiner

*Primary Examiner* — Martie K Holtje

(74) *Attorney, Agent, or Firm* — Wenderoth, Lind & Ponack, L.L.P.

(57)

**CLAIM**

The ornamental design for a wrist watch, as shown and described.

**DESCRIPTION**

FIG. 1 is a right side elevational view of a wrist watch showing my new design;

FIG. 2 is a front elevational view thereof;

FIG. 3 is a left side elevational view thereof;

FIG. 4 is a top plan view thereof;

FIG. 5 is a rear elevational view thereof;

FIG. 6 is a bottom plan view thereof; and,

FIG. 7 is a right front perspective view thereof.

**1 Claim, 7 Drawing Sheets**

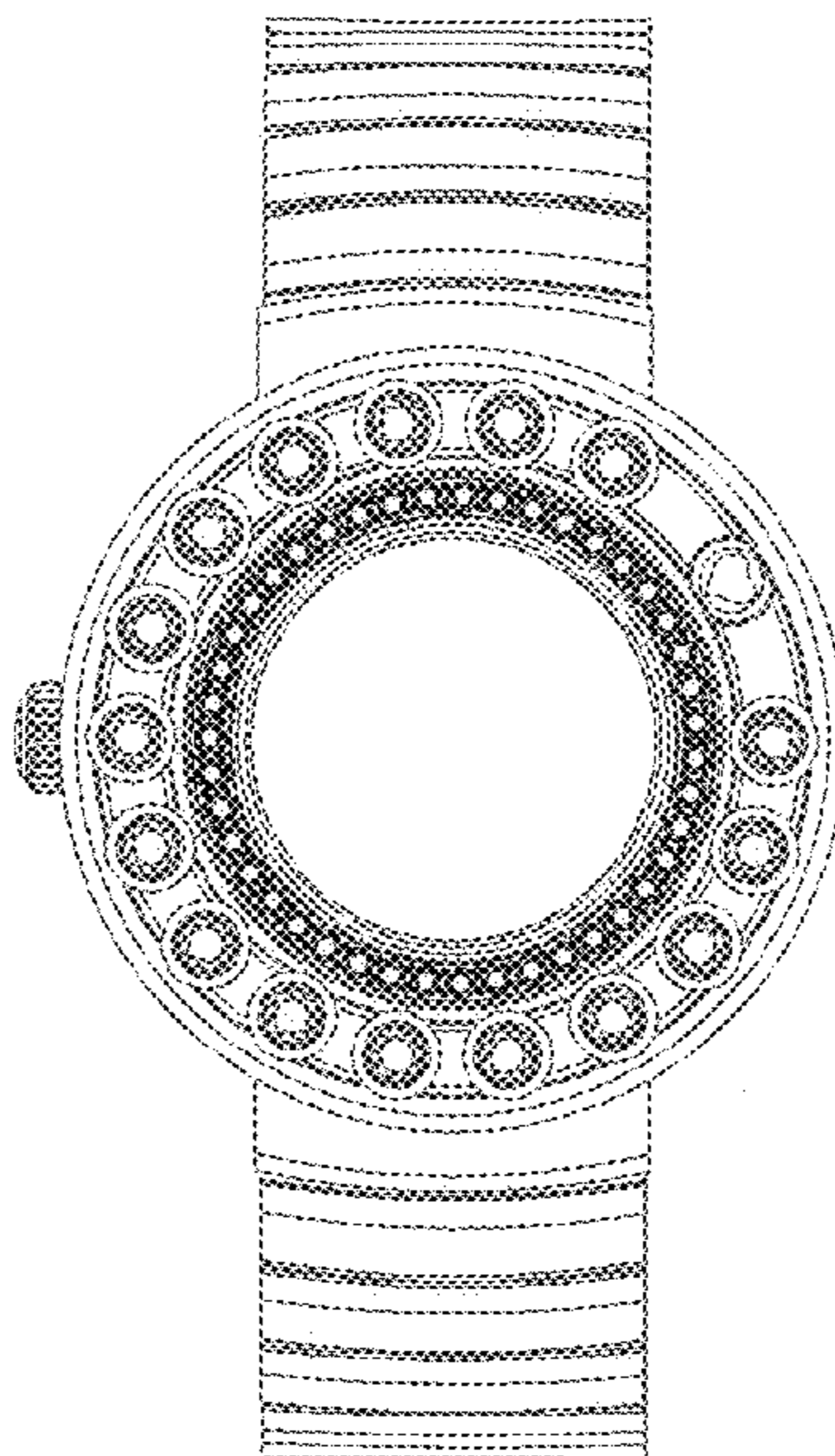


Fig.1

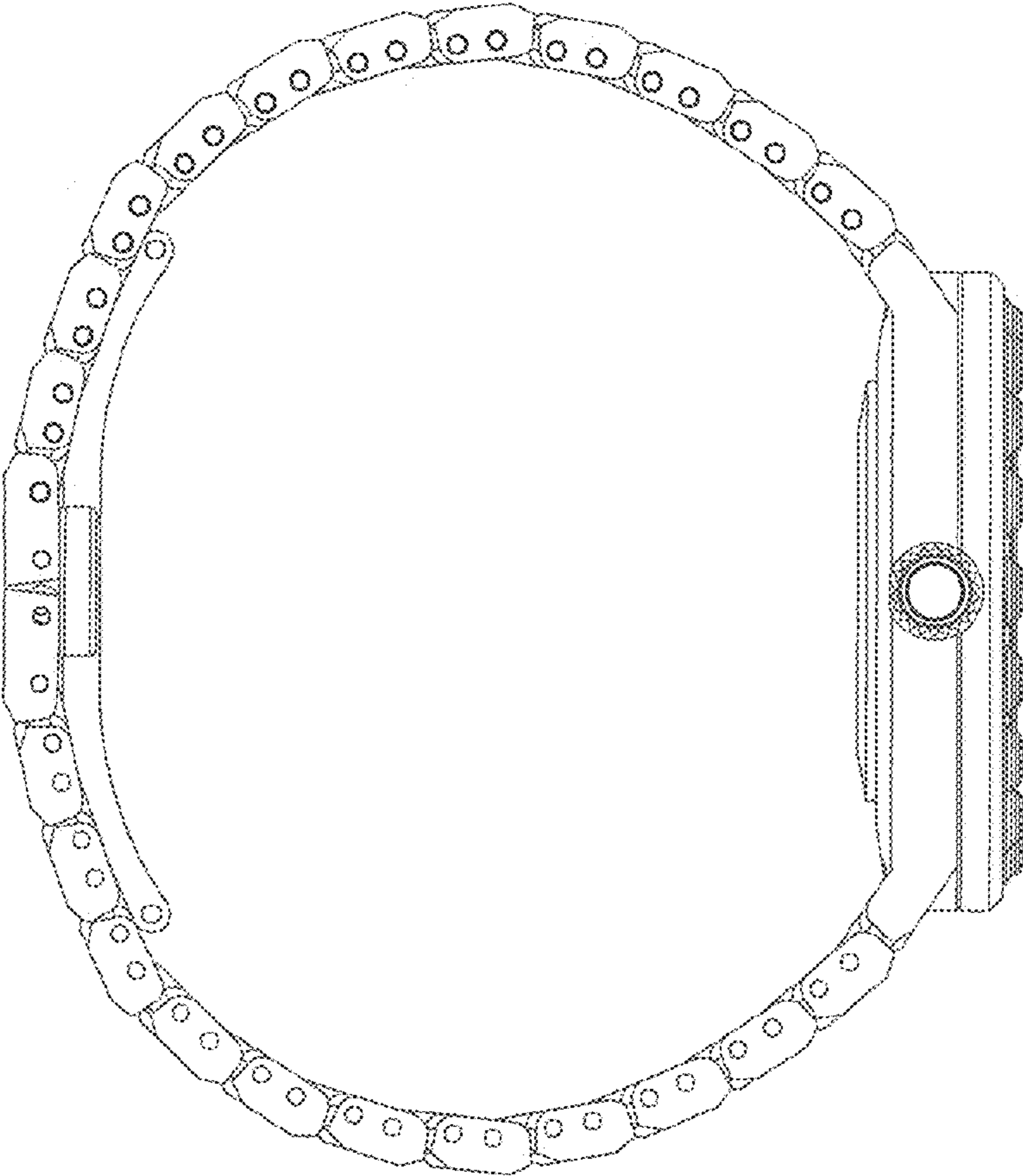


Fig.2

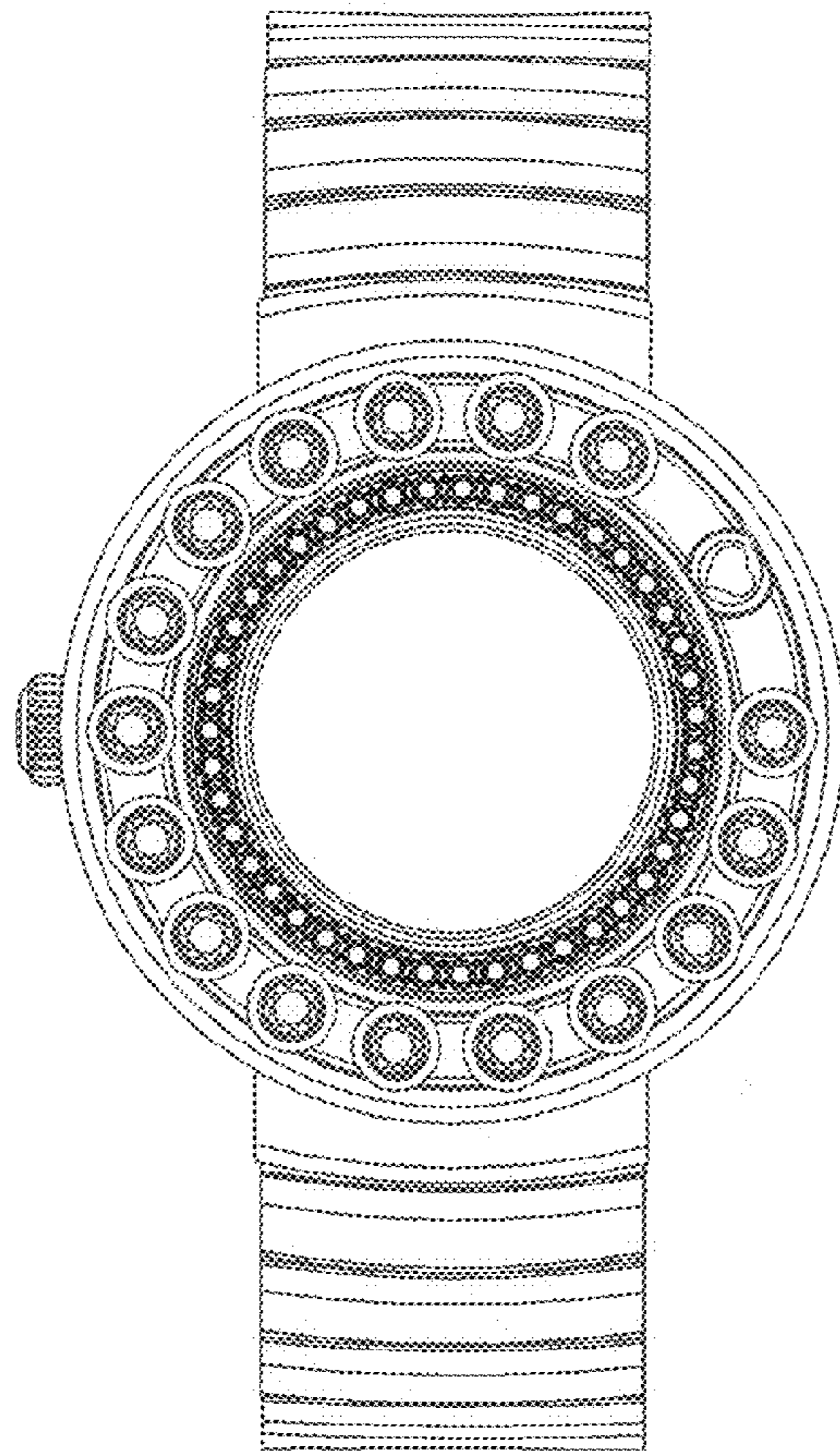




Fig.3

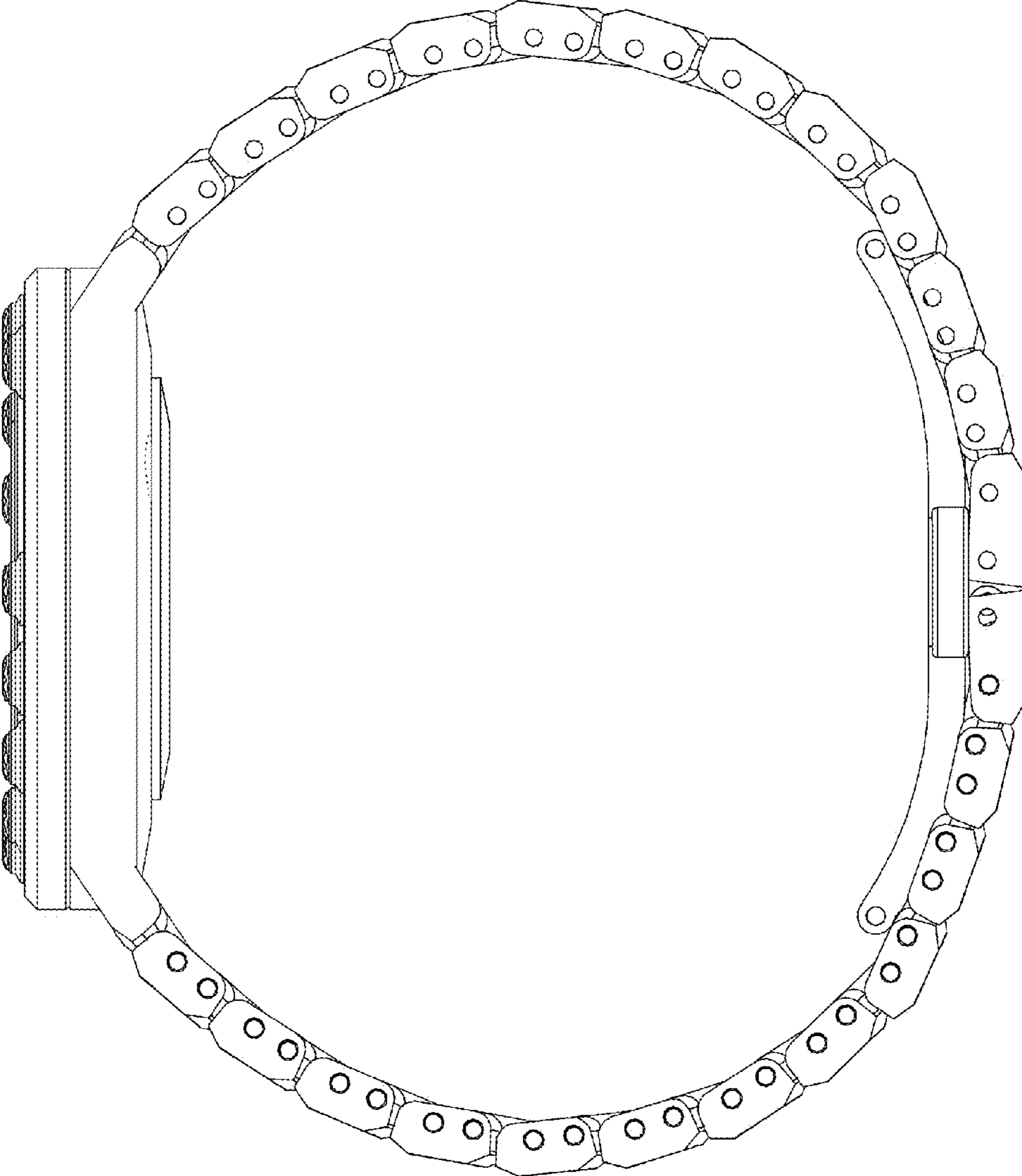


Fig.4

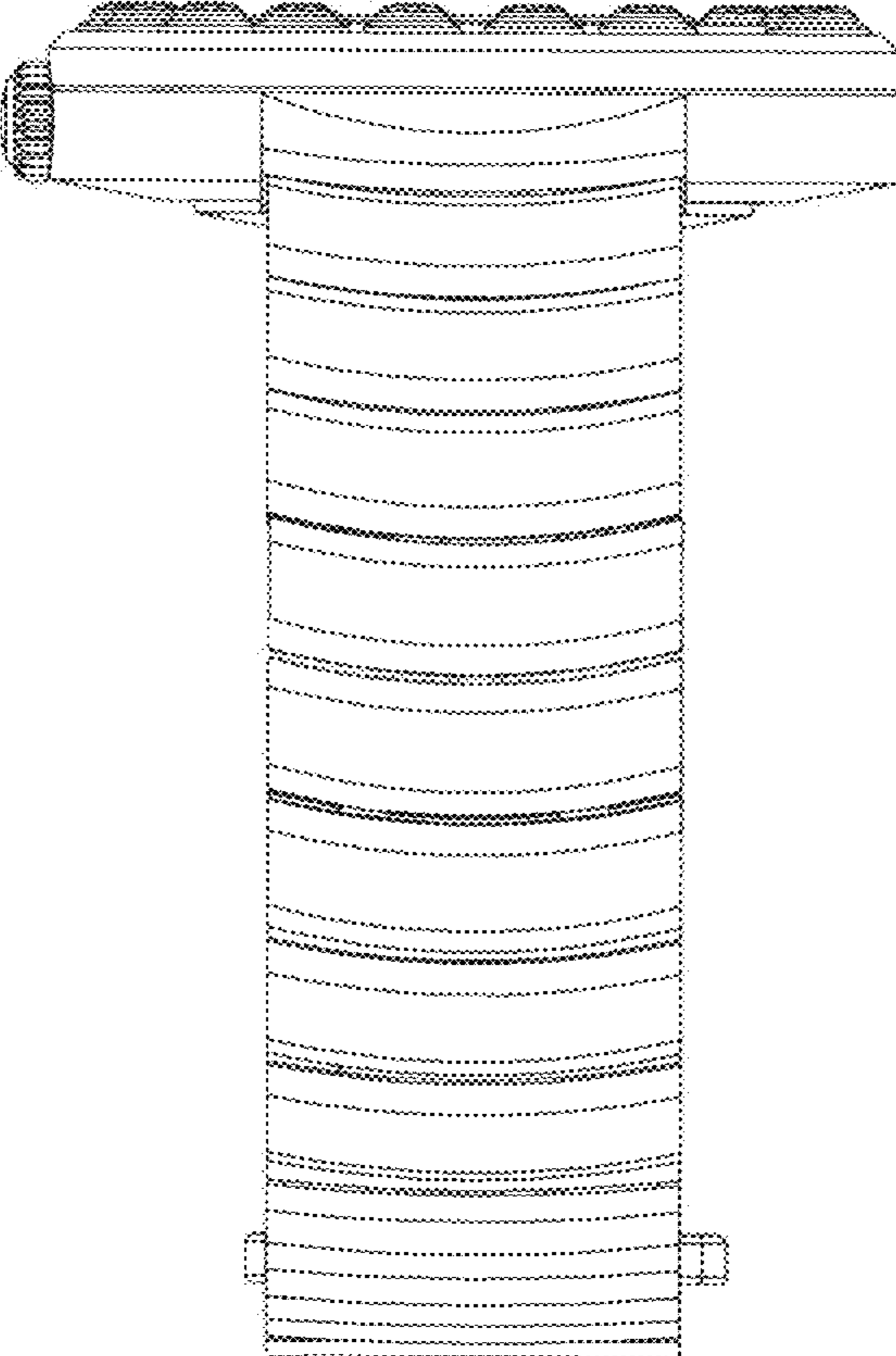


Fig.5

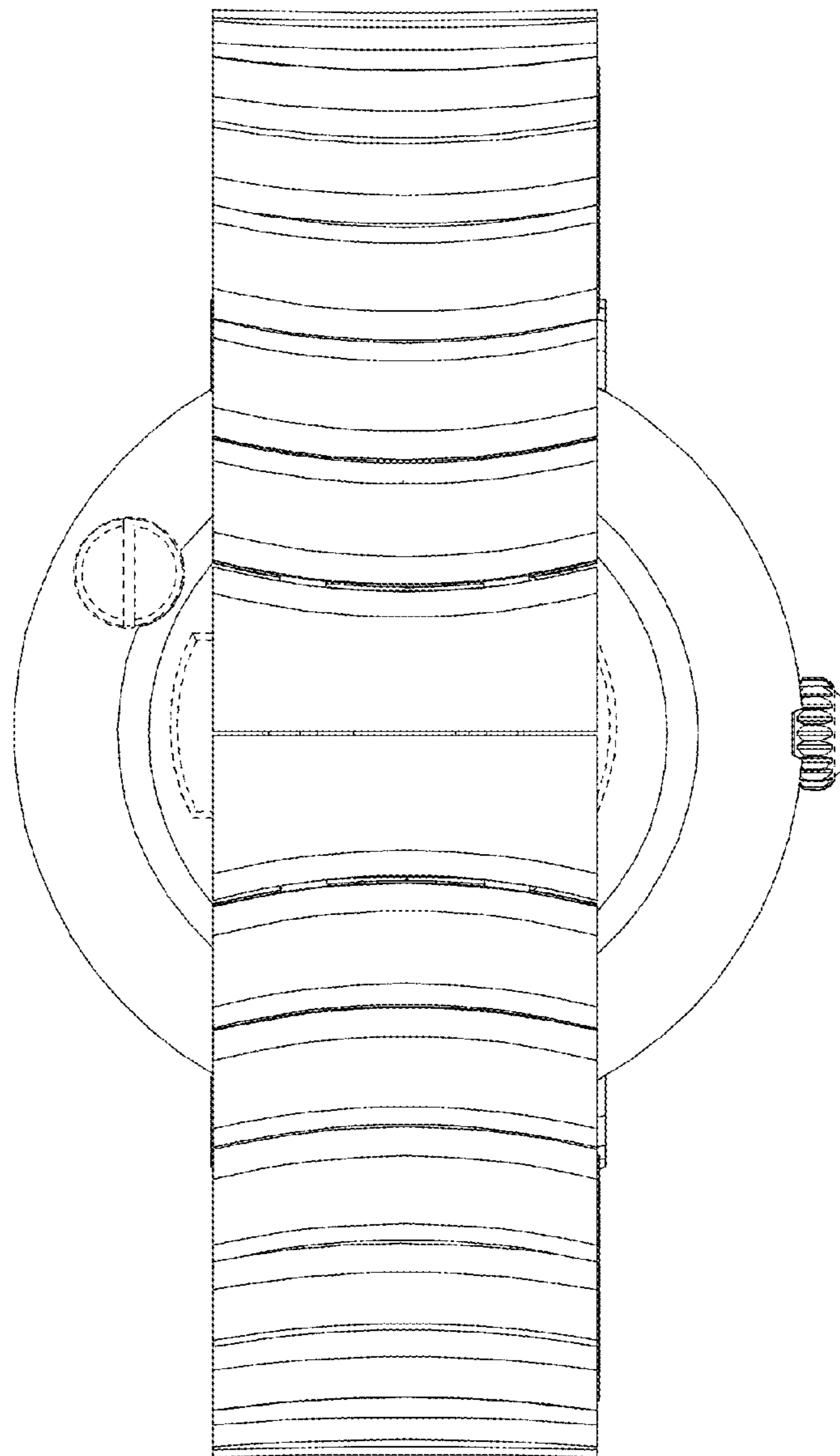


Fig.6

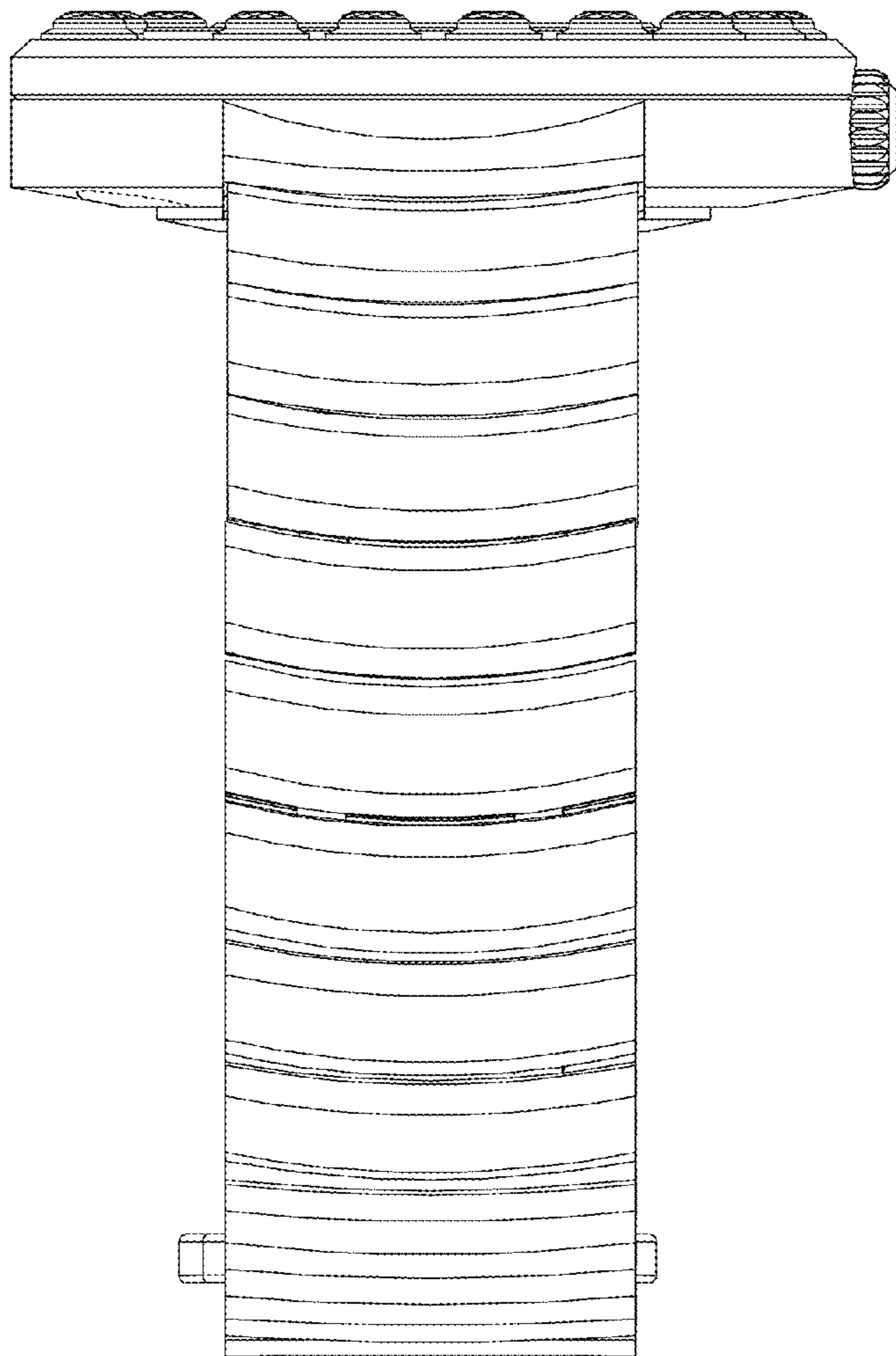


Fig.7

