

US00D720628S

(12) **United States Design Patent**  
**Erdmann**

(10) **Patent No.:** **US D720,628 S**  
(45) **Date of Patent:** **\*\* Jan. 6, 2015**

(54) **BLADE DISPENSER**

(71) Applicant: **Eveready Battery Company Inc., St Louis, MO (US)**

(72) Inventor: **Paul Philipp Erdmann, Sheung Wan (HK)**

(73) Assignee: **Eveready Battery Company, Inc, St. Louis, MO (US)**

(\*\*) Term: **14 Years**

(21) Appl. No.: **29/471,989**

(22) Filed: **Nov. 7, 2013**

(51) **LOC (10) Cl.** ..... **09-01**

(52) **U.S. Cl.**  
USPC ..... **D9/735**

(58) **Field of Classification Search**  
CPC ..... A24F 27/00; B65D 51/0223; B65D 2543/0026; B65D 83/10; B65D 83/0847; B65D 83/0409; B65D 83/0418; B65D 83/02; B65D 25/10; B65D 5/72; B65D 5/48024; B65D 5/724; B65D 85/00; B65D 85/60  
USPC ..... D9/414, 730, 735; D3/20, 201, 203.1; D7/601, 602, 641; D28/73, 78, 83; 206/38, 208, 556, 738, 739, 756, 758; 220/352, 354, 355, 356; 221/198, 279, 221/281

See application file for complete search history.

(56) **References Cited**

**U.S. PATENT DOCUMENTS**

2,344,962 A \* 3/1944 Benjamin ..... 206/356  
2,458,020 A \* 1/1949 Olsen ..... 132/316

2,653,704 A 9/1953 Nelson  
2,829,764 A \* 4/1958 Silverman ..... 206/208  
4,789,080 A 12/1988 Iten  
4,850,512 A 7/1989 Vujovich  
D303,082 S 8/1989 Iten  
D317,985 S \* 7/1991 Alm ..... D3/297  
D403,954 S \* 1/1999 Okada et al. .... D9/735  
D407,972 S \* 4/1999 Hilton ..... D9/422  
D432,911 S \* 10/2000 Clarke et al. .... D9/415  
D540,539 S \* 4/2007 Gutierrez ..... D3/269  
D595,152 S 6/2009 Van Deursen  
D596,046 S 7/2009 Van Deursen  
D624,833 S 10/2010 Van Deursen  
D650,986 S \* 12/2011 Brady et al. .... D3/203.1  
2009/0194557 A1 8/2009 Van Deursen

\* cited by examiner

*Primary Examiner* — Derrick Holland

*Assistant Examiner* — Lauren Calve

(74) *Attorney, Agent, or Firm* — Energizer Personal CaRE, LLC

(57) **CLAIM**

I claim the ornamental design for a blade dispenser, as shown and described.

**DESCRIPTION**

FIG. 1 is a top perspective view of a blade dispenser.

FIG. 2 is a bottom perspective view thereof.

FIG. 3 is a side view thereof.

FIG. 4 is a top view thereof.

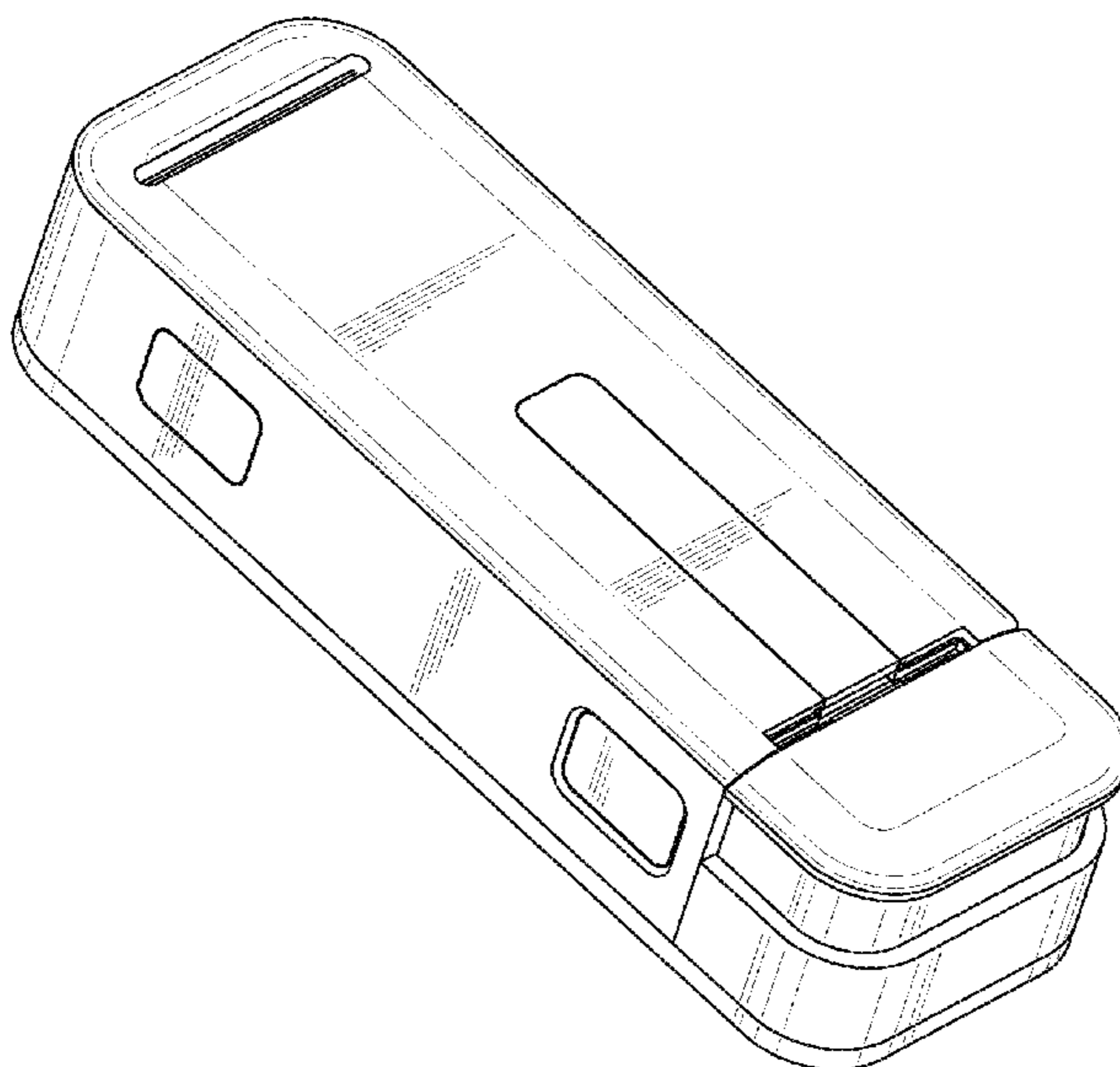
FIG. 5 is an opposite side view thereof.

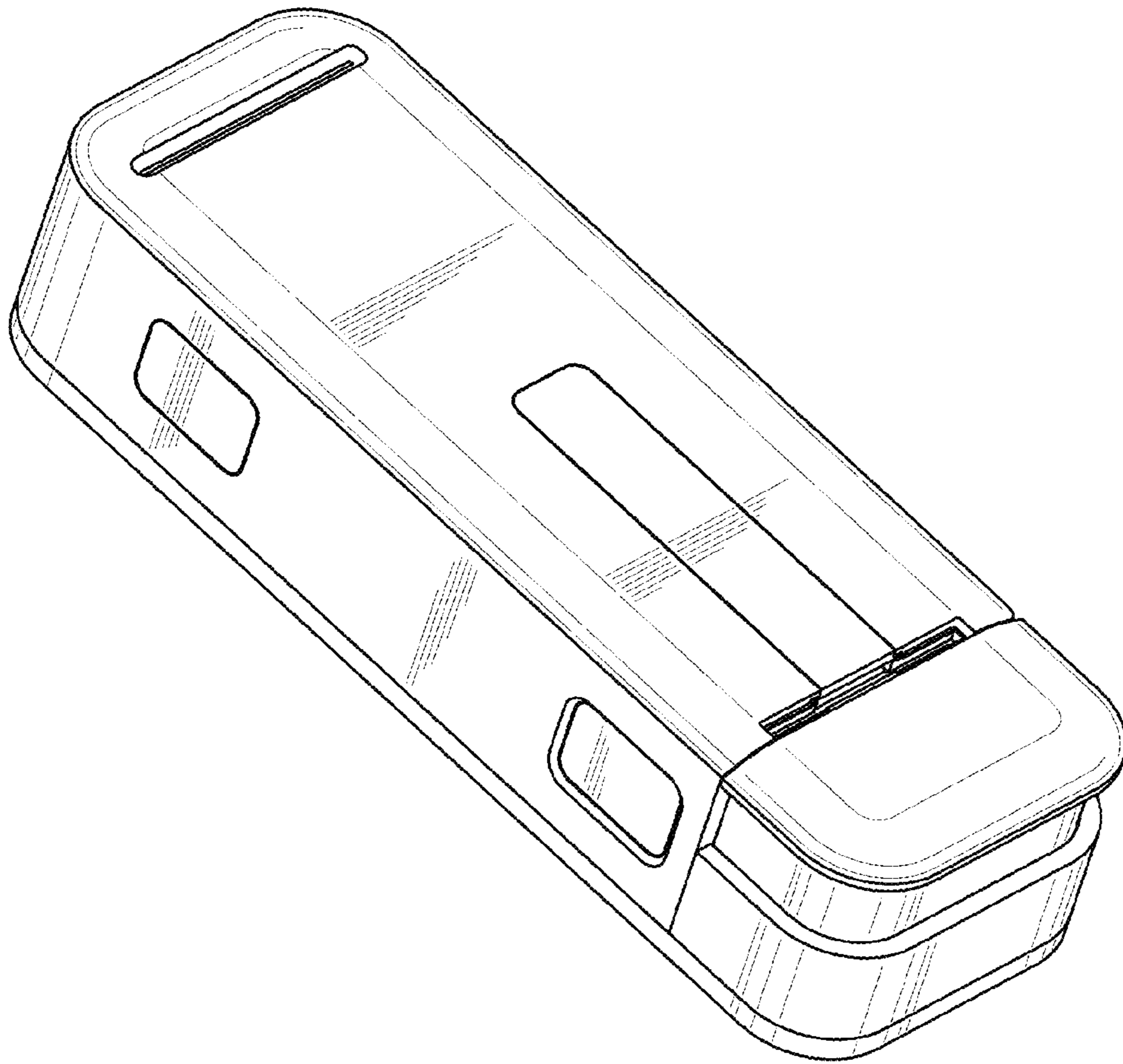
FIG. 6 is a bottom view thereof.

FIG. 7 is a front view thereof; and,

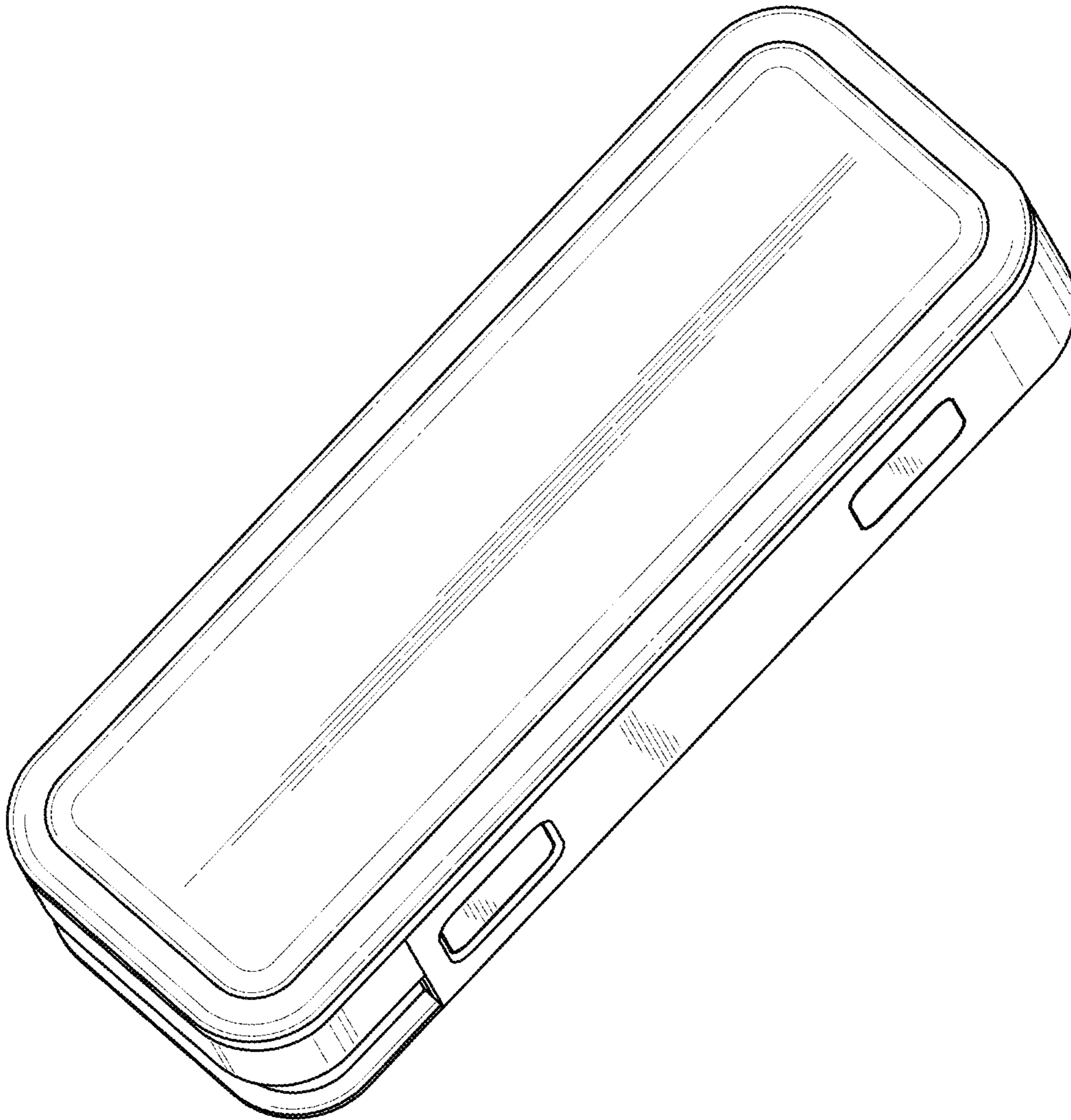
FIG. 8 is a back view thereof.

**1 Claim, 5 Drawing Sheets**

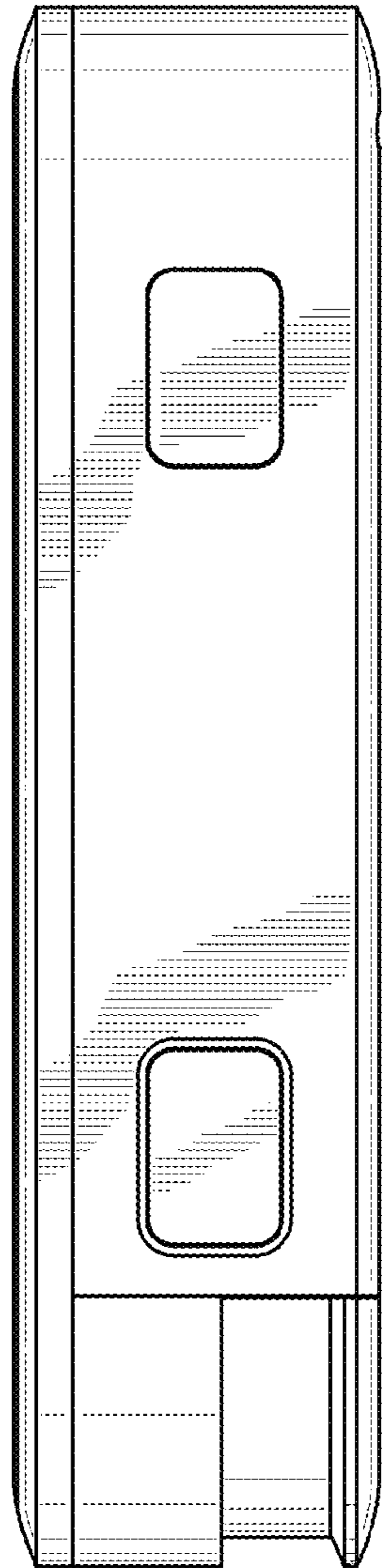




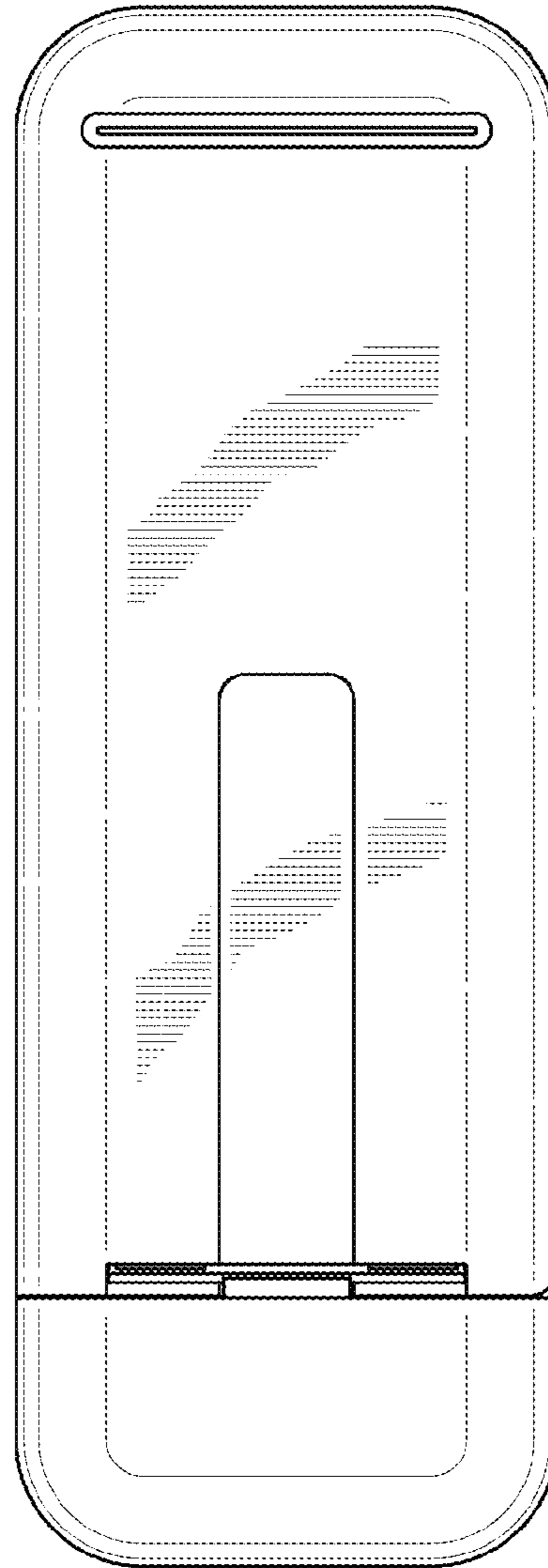
**FIG. 1**



**FIG. 2**



**FIG. 3**



**FIG. 4**

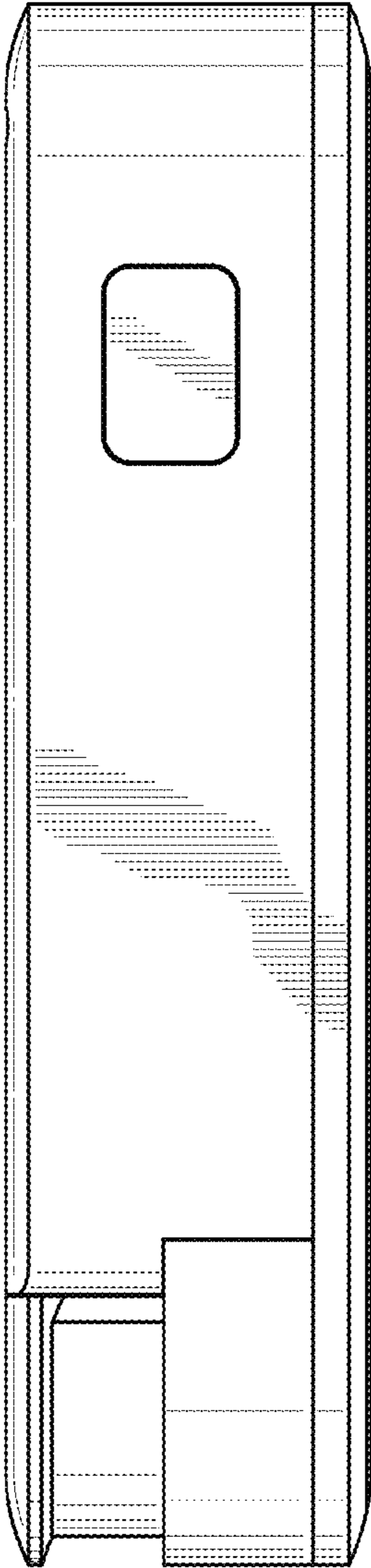


FIG. 5

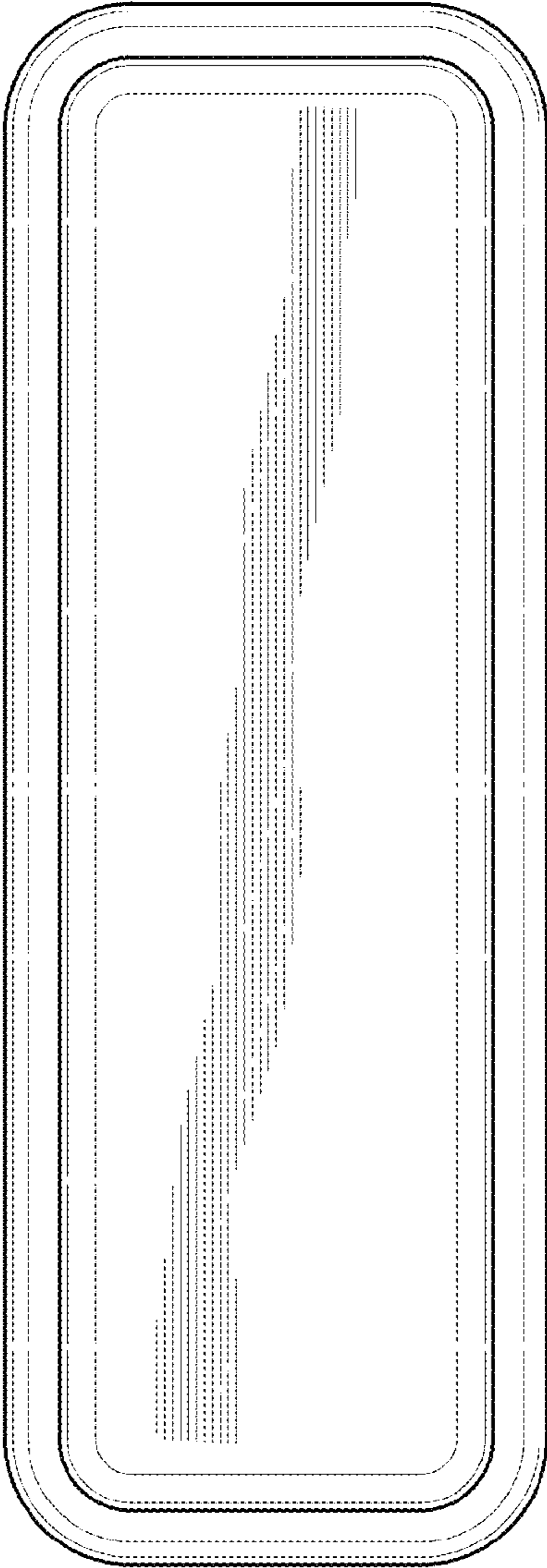
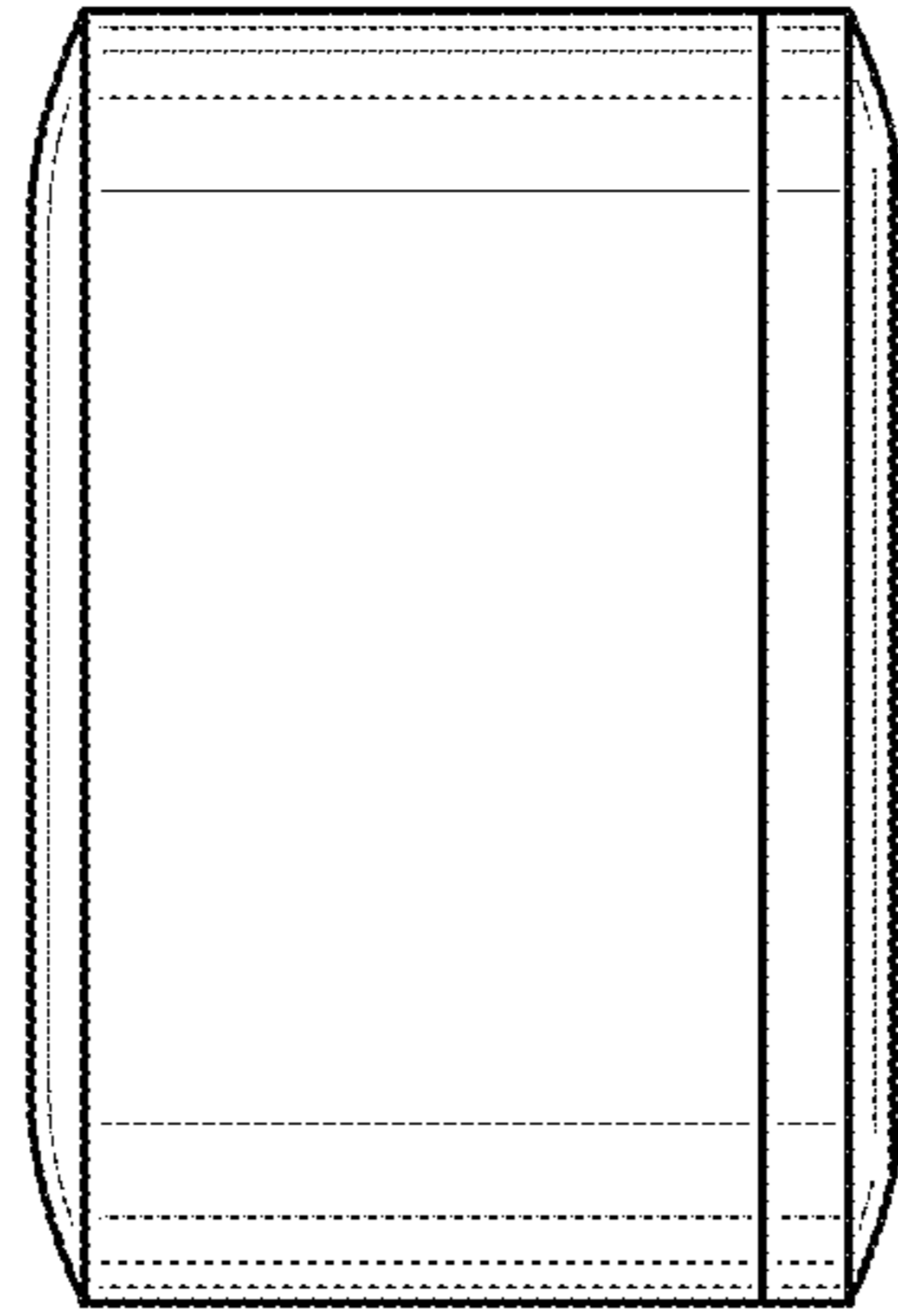
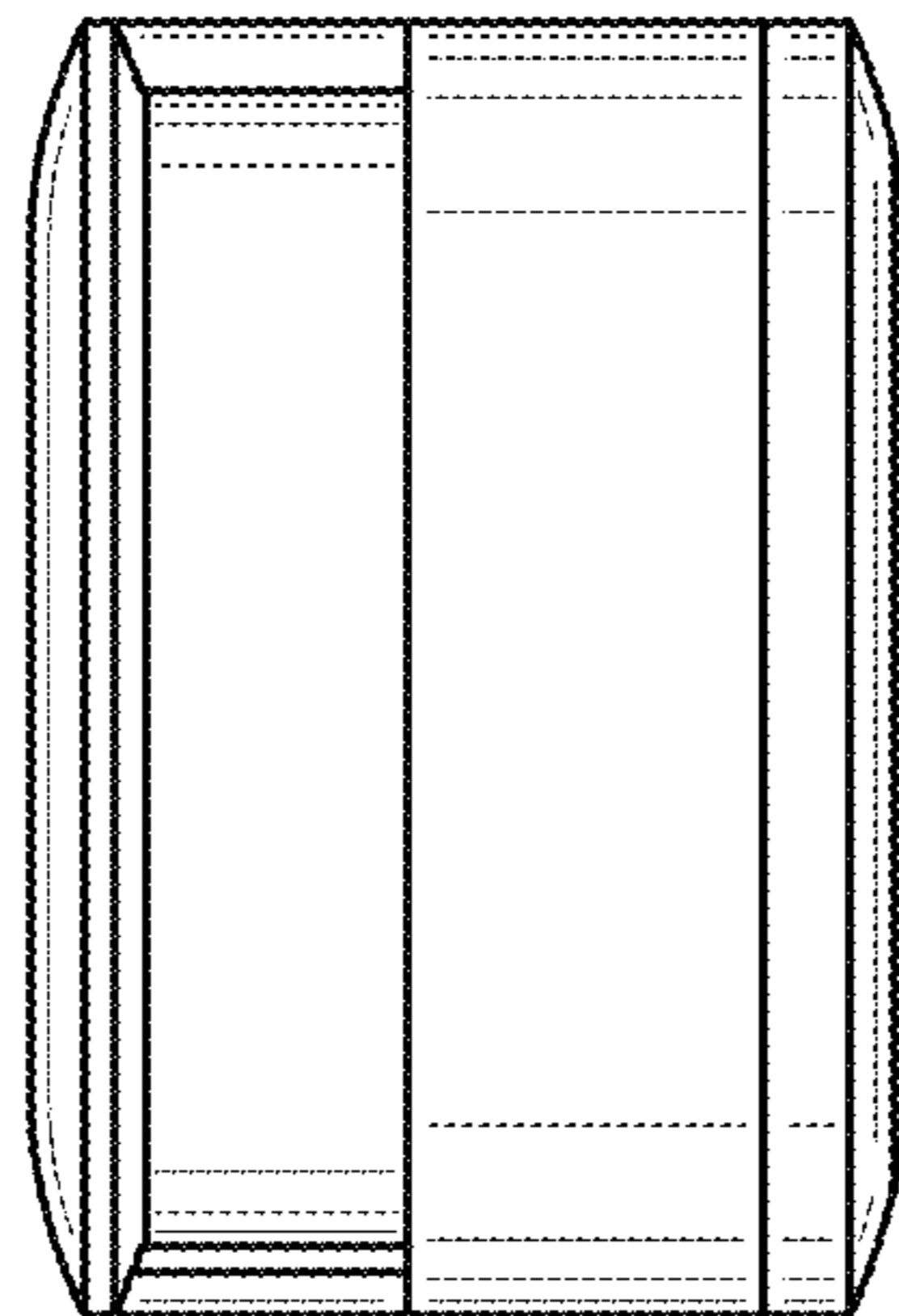


FIG. 6



**FIG. 8**



**FIG. 7**