



US00D720620S

(12) **United States Design Patent**
Gerard et al.

(10) **Patent No.:** **US D720,620 S**
(45) **Date of Patent:** **** Jan. 6, 2015**

(54) **FLASK**

(76) Inventors: **Alexander J. Gerard**, Rogers, MN
(US); **Son Huynh**, Maple Grove, MN
(US)

(**) Term: **14 Years**

(21) Appl. No.: **29/417,629**

(22) Filed: **Apr. 5, 2012**

(51) **LOC (10) Cl.** **09-01**

(52) **U.S. Cl.**
USPC **D9/522**

(58) **Field of Classification Search**
USPC D9/600, 607, 611, 631, 566, 569,
D9/572-575, 516, 522, 523, 680; D3/201;
206/457, 458, 527; 220/890, 592.2,
220/592.17; 215/383, 382, 239, 242
See application file for complete search history.

(56) **References Cited**

U.S. PATENT DOCUMENTS

3,072,285 A * 1/1963 Aileo 220/326
D276,698 S * 12/1984 Carlson D9/522
4,586,281 A * 5/1986 Chesnut 42/50
5,088,614 A * 2/1992 Dumestre 220/713

D340,185 S * 10/1993 Martone D9/694
D372,872 S * 8/1996 Crawford D9/529
D438,096 S * 2/2001 Lehnert D9/694
D438,802 S * 3/2001 Krunas D9/522
D521,230 S * 5/2006 Linz et al. D3/202
D555,480 S * 11/2007 Nicosia et al. D9/522
D635,864 S * 4/2011 Lee D9/680
D645,358 S * 9/2011 de Monclin D9/611

* cited by examiner

Primary Examiner — Prabhakar Deshmukh

(74) *Attorney, Agent, or Firm* — Geiser Law, PLLC; Greg N. Geiser

(57) **CLAIM**

The ornamental design for a flask, as shown and described.

DESCRIPTION

FIG. 1 is a perspective view of a flask showing our new design;
FIG. 2 is an exploded perspective view thereof;
FIG. 3 is a front elevation thereof;
FIG. 4 is a right side elevation thereof;
FIG. 5 is a bottom plan view thereof;
FIG. 6 is a rear elevation thereof;
FIG. 7 is a left side elevation thereof; and,
FIG. 8 is a top plan view thereof.
The broken lines indicate unclaimed portions and form no part of the claimed design.

1 Claim, 2 Drawing Sheets

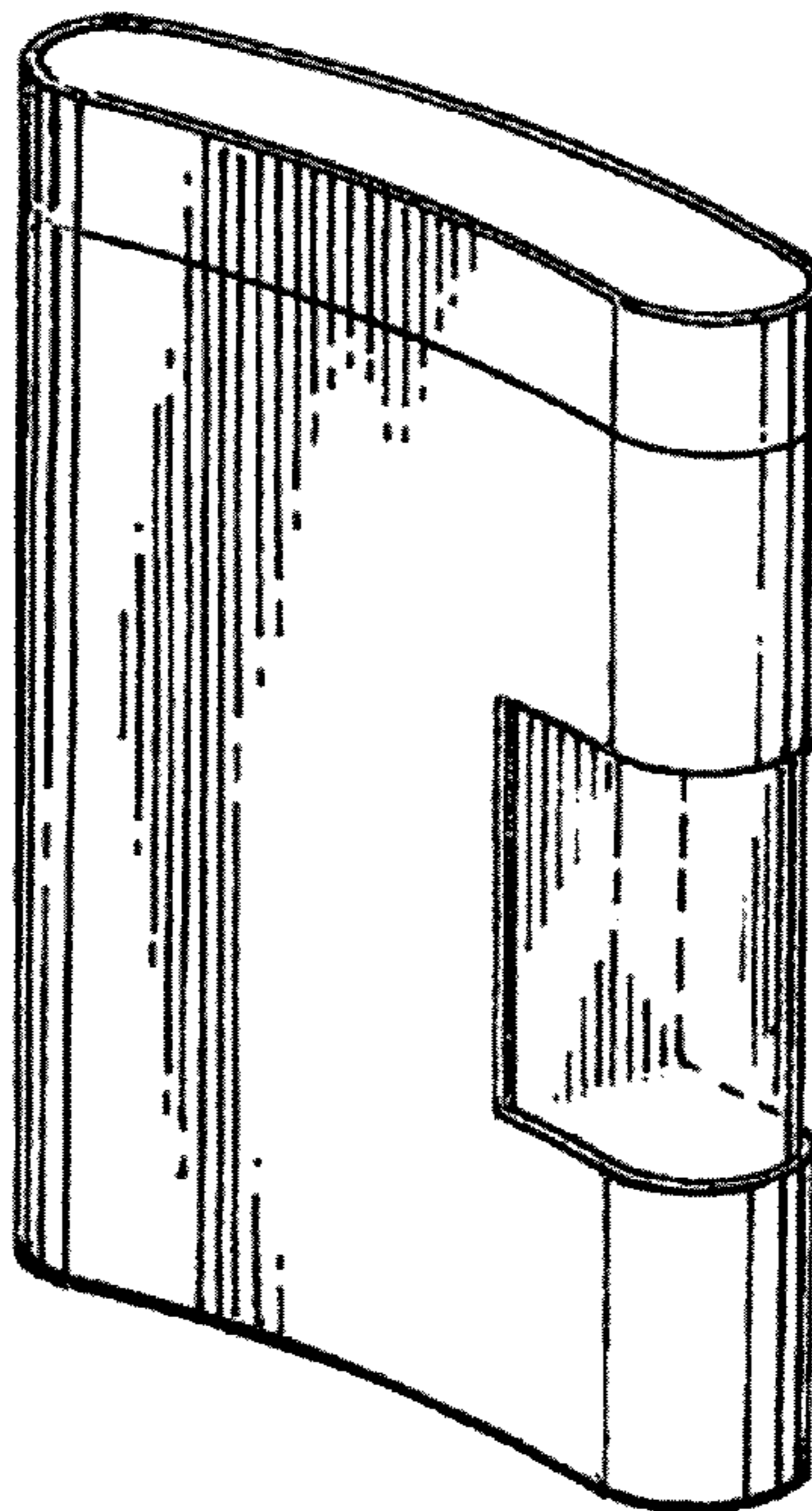


FIG. 1

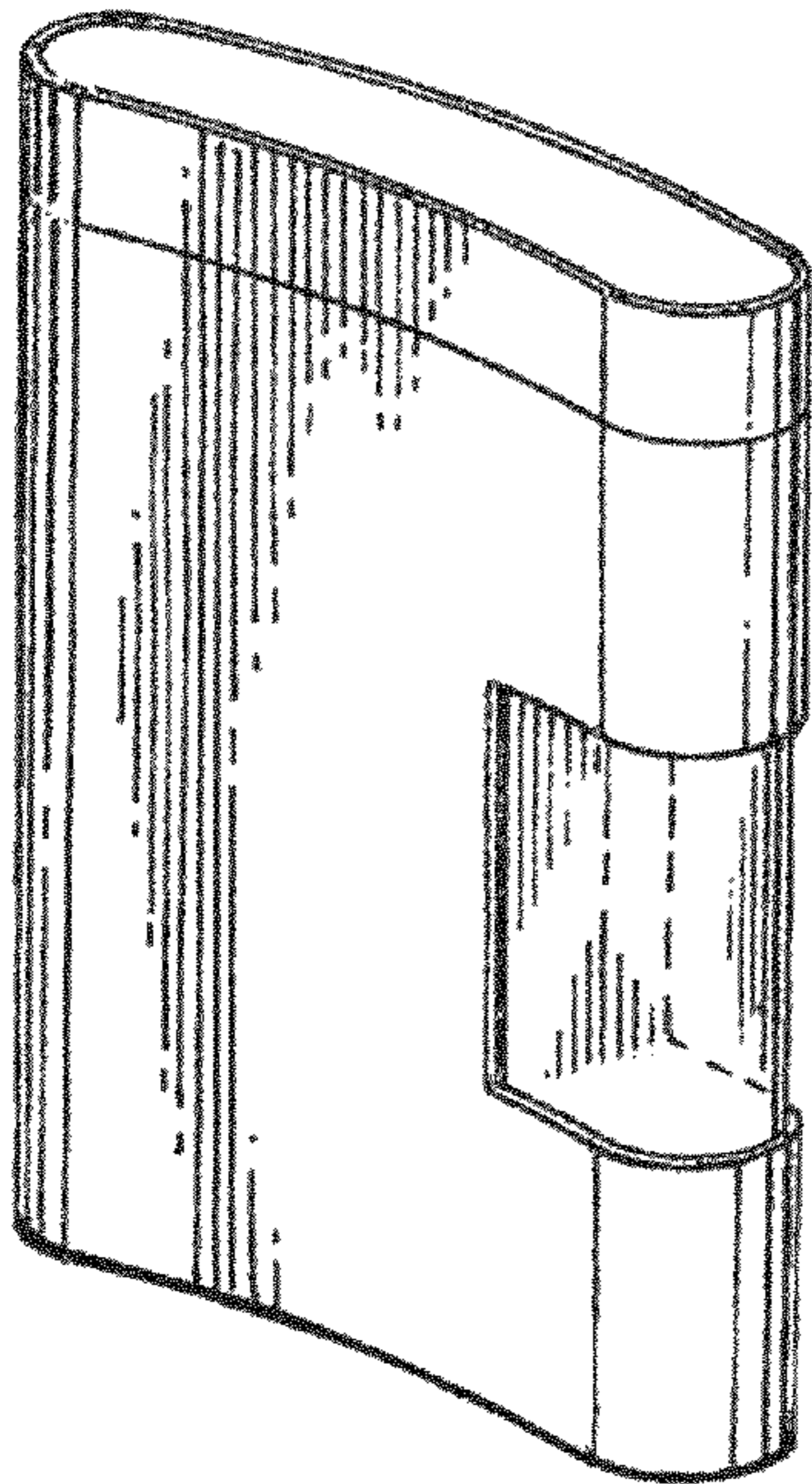


FIG. 2

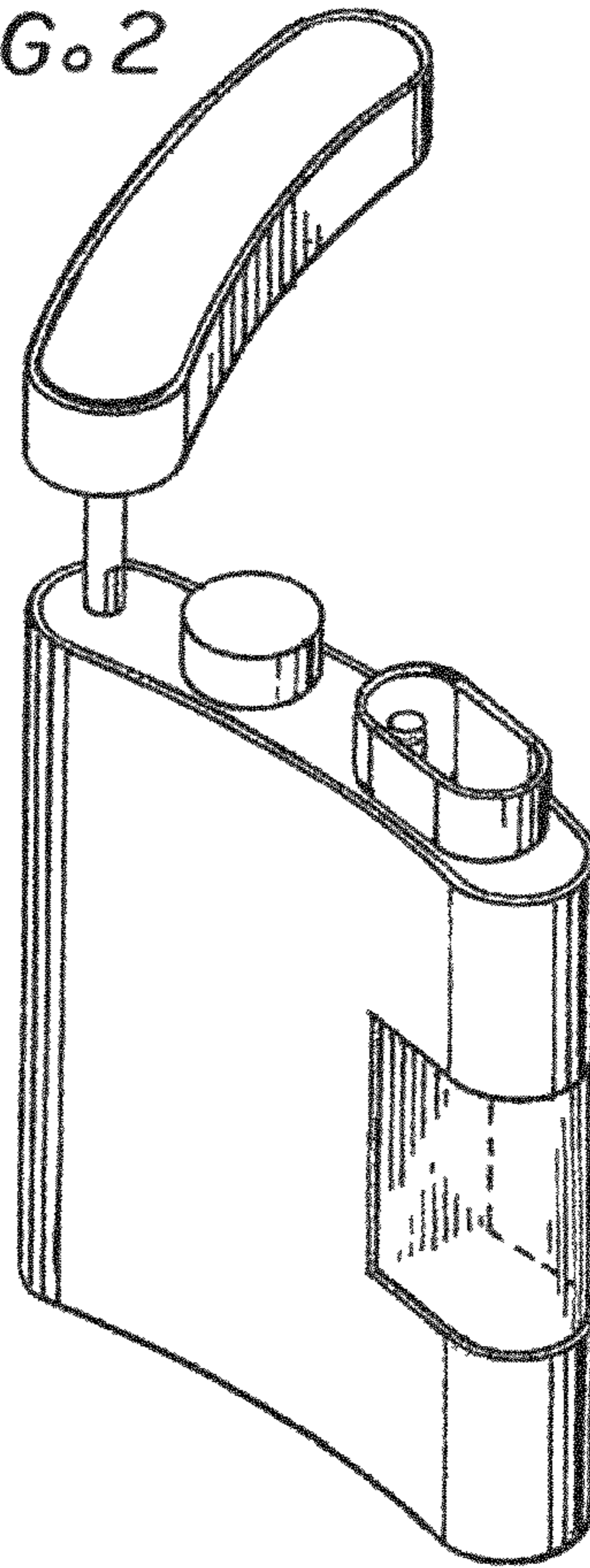


FIG. 3

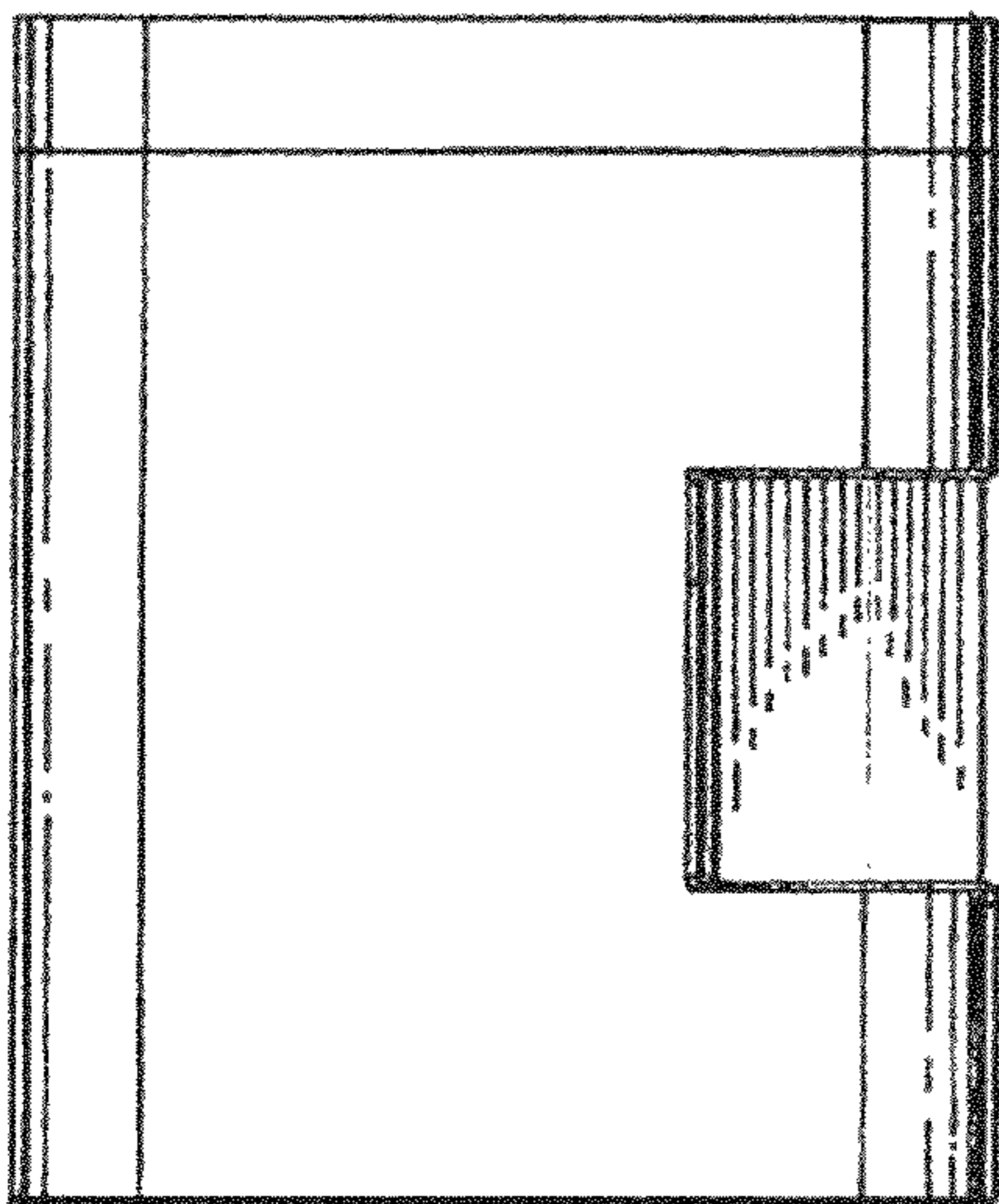


FIG. 4



FIG. 5



FIG. 6

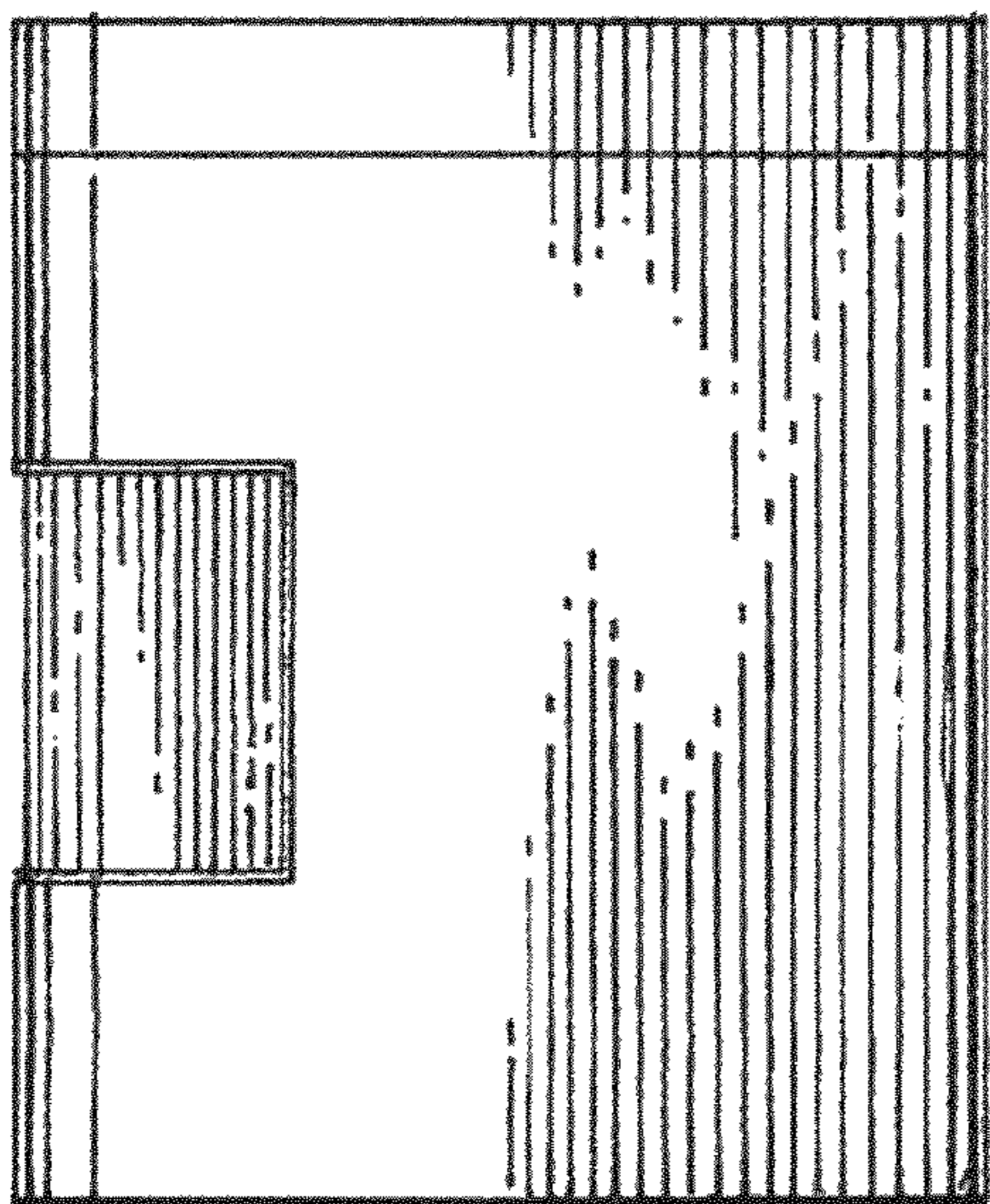


FIG. 7

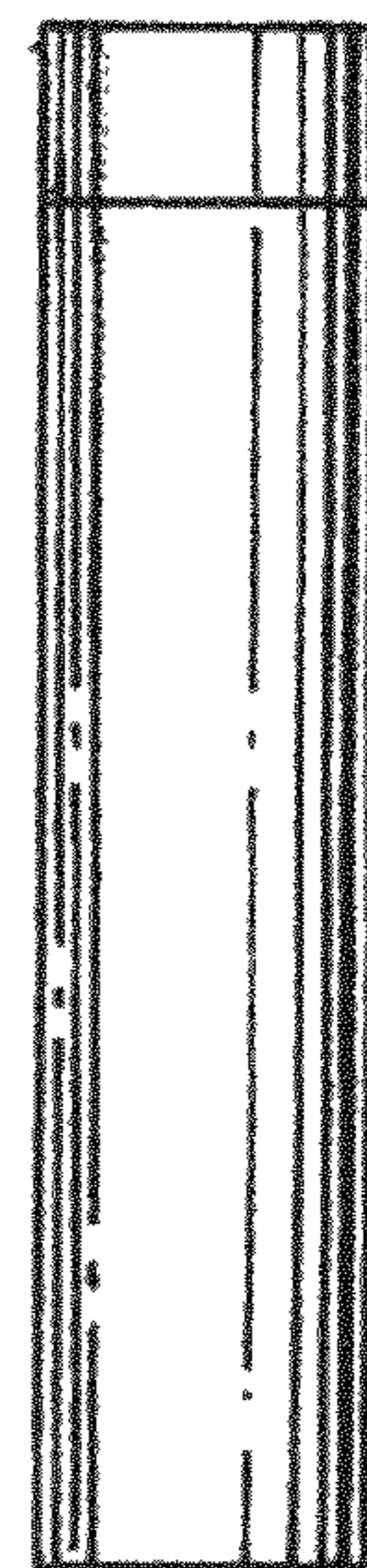


FIG. 8

