



US00D720619S

(12) **United States Design Patent**
Buscemi et al.

(10) **Patent No.:** **US D720,619 S**
(45) **Date of Patent:** **** Jan. 6, 2015**

- (54) **CONTAINER**
- (75) Inventors: **Nicole Buscemi**, Cincinnati, OH (US);
Brian Daniel Guzzi, Township West
Chester, OH (US)
- (73) Assignee: **Kellogg North America Company**,
Battle Creek, MI (US)
- (**) Term: **14 Years**
- (21) Appl. No.: **29/399,968**
- (22) Filed: **Aug. 22, 2011**
- (51) **LOC (10) Cl.** **09-01**
- (52) **U.S. Cl.**
USPC **D9/516**
- (58) **Field of Classification Search**
USPC D9/516, 522, 529, 549, 414, 428, 424,
D9/454, 541, 559; D7/601-602, 700, 509,
D7/513, 523, 531-532; 215/379, 381-382;
220/608, 623, 660, 669, 675, 612,
220/592.17; D24/121, 207, 224; D34/1
See application file for complete search history.

D471,102 S 3/2003 Gehring et al.
D471,806 S 3/2003 Gehring et al.
D501,636 S 2/2005 Melhede

(Continued)

FOREIGN PATENT DOCUMENTS

CN 300787278 6/2008
DE M9604376 1/1997
FR 963021 10/1996

Primary Examiner — Wan Laymon

(74) *Attorney, Agent, or Firm* — Honigman Miller Schwartz
and Cohn LLP; Jonathan P. O'Brien; Fernando Alberdi

(57) **CLAIM**

We claim the ornamental design for the container, as shown
and described.

DESCRIPTION

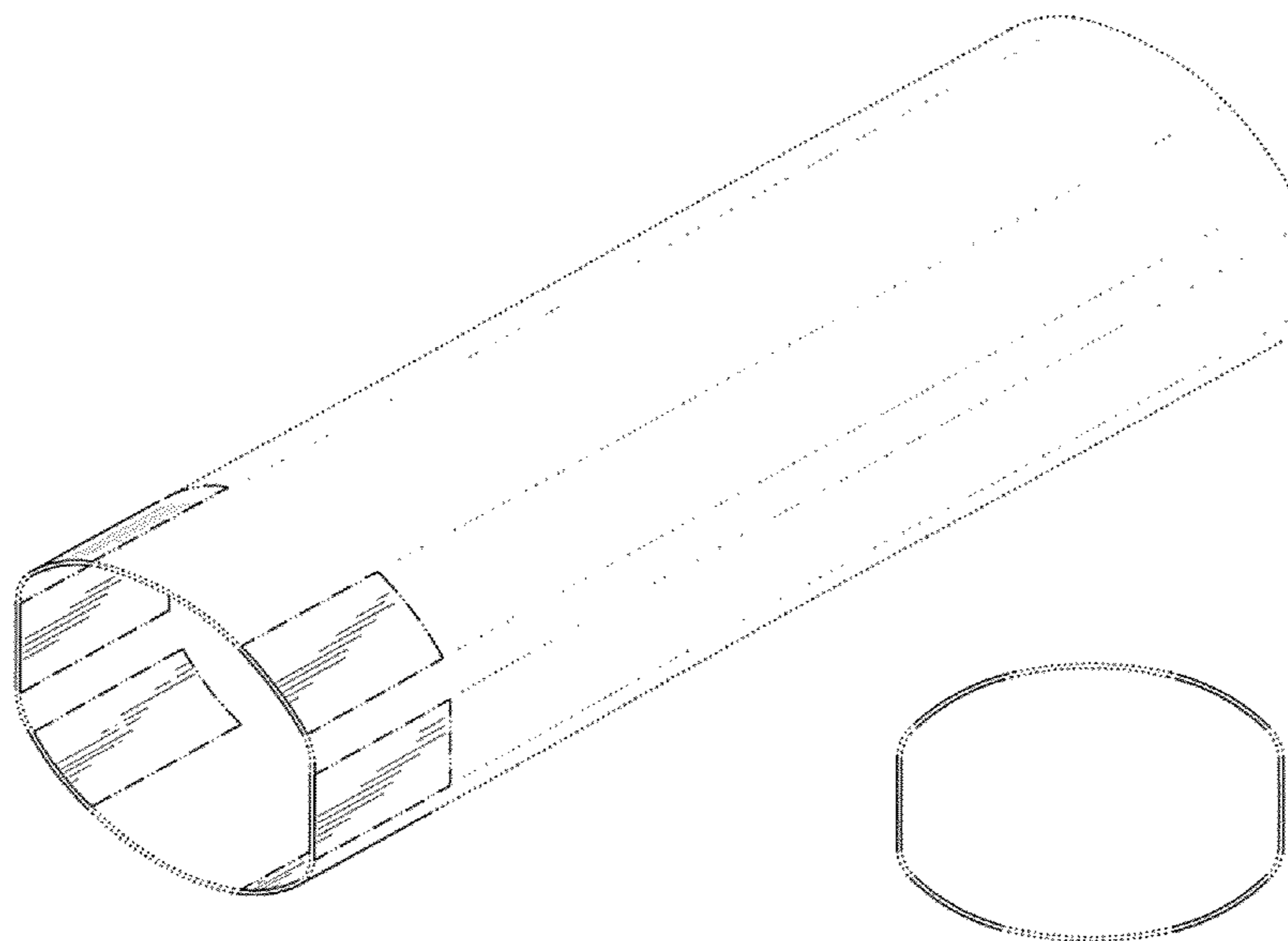
FIG. 1 is a perspective view of the container;
FIG. 2 is a front plan view of the container, the rear plan view
being the same as the front plan view;
FIG. 3 is a top plan view of the container, the bottom plan
view being the same as the top plan view;
FIG. 4 is a right side view of the container; the left side view
being a mirror image;
FIG. 5 is a perspective view of an alternate embodiment of the
container;
FIG. 6 is a front plan view of the container of FIG. 5, the rear
plan view being the same as the front plan view;
FIG. 7 is a top plan view of the container of FIG. 5, the bottom
plan view being the same as the top plan view; and,
FIG. 8 is a right side view of the container of FIG. 5; the left
side view being a mirror image.
The broken lines shown in the drawings illustrate unclaimed
portions of the design and form no part of the claimed design.
The dot-dot-dash broken lines in the drawings define the
boundary lines of the claimed design.

(56) **References Cited**

U.S. PATENT DOCUMENTS

D71,999 S	2/1927	Brown	
2,079,177 A *	5/1937	Membrino	D9/454
4,331,709 A	5/1982	Risch et al.	
D284,923 S *	8/1986	Ritman	D7/531
D310,171 S *	8/1990	Cusenza	D9/529
D341,315 S *	11/1993	Seymour	D9/529
D345,304 S	3/1994	Leader	
D382,446 S	8/1997	Bacon	
D426,153 S *	6/2000	Sagel et al.	D9/428
D440,875 S	4/2001	Sagel	
D466,809 S	12/2002	Sagel	

1 Claim, 2 Drawing Sheets



US D720,619 S

Page 2

(56)

References Cited

U.S. PATENT DOCUMENTS

D596,024 S	7/2009	McCoy et al.	
D645,355 S *	9/2011	D'Amato	D9/522
D655,183 S *	3/2012	Pantelleria et al.	D9/575
D562,151 S *	2/2008	Larocca et al.	D9/529

* cited by examiner

FIG. 1

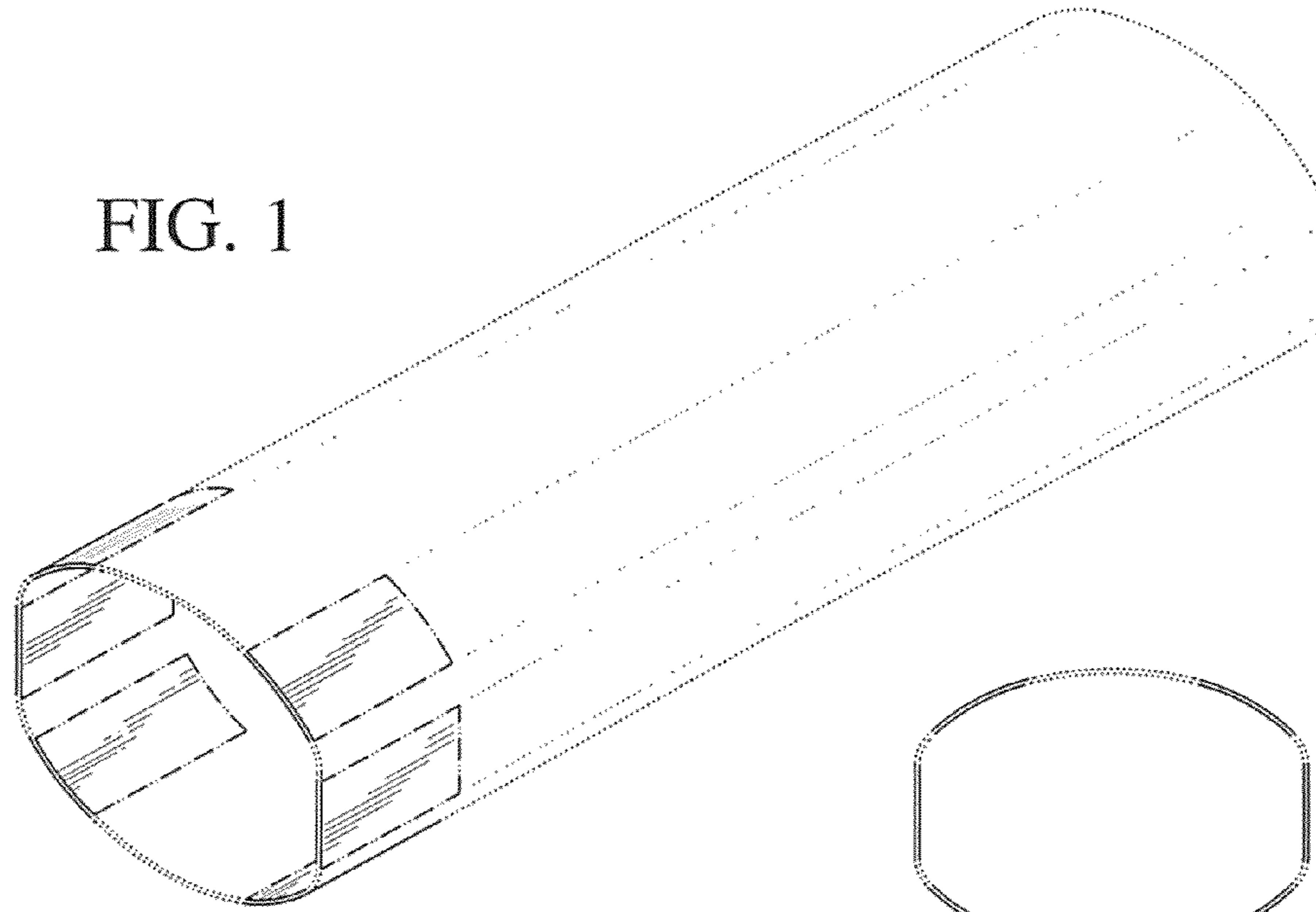


FIG. 2

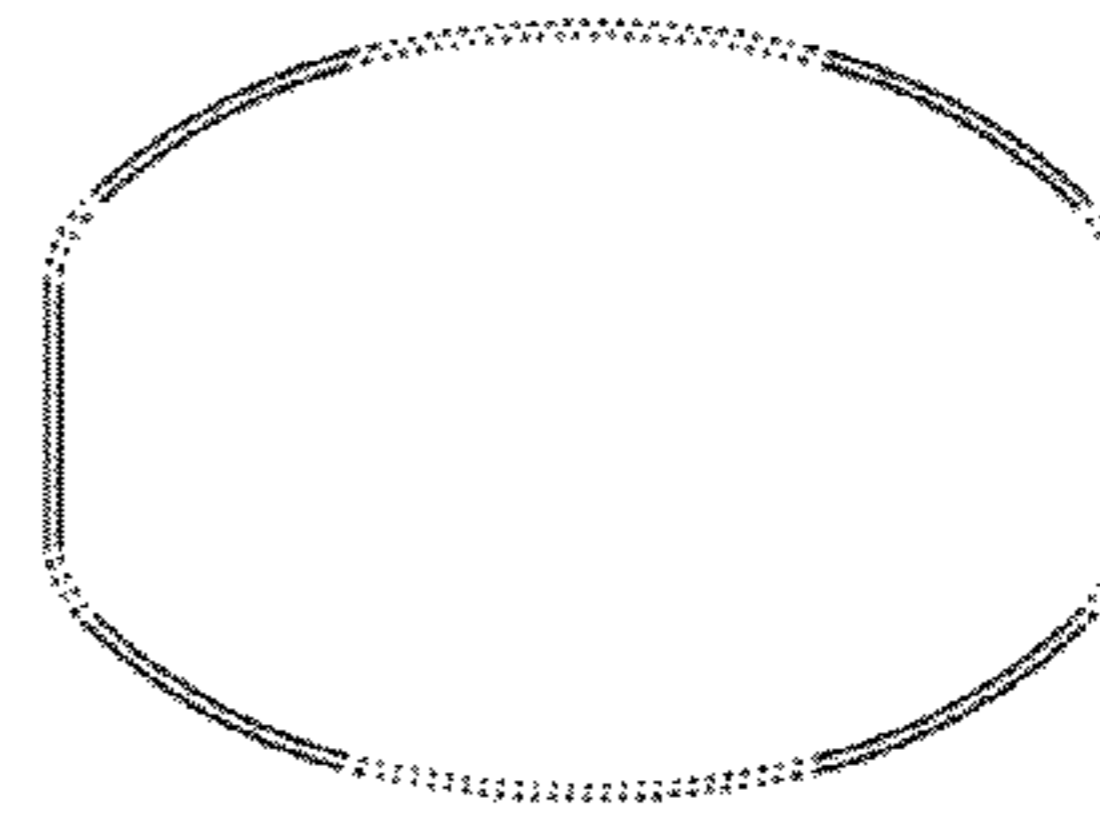


FIG. 3



FIG. 4

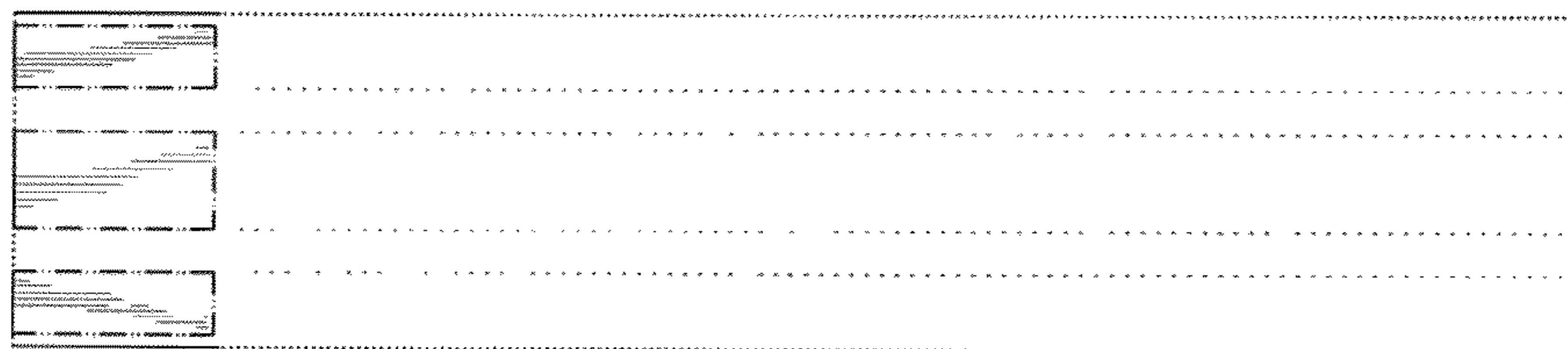


FIG. 5

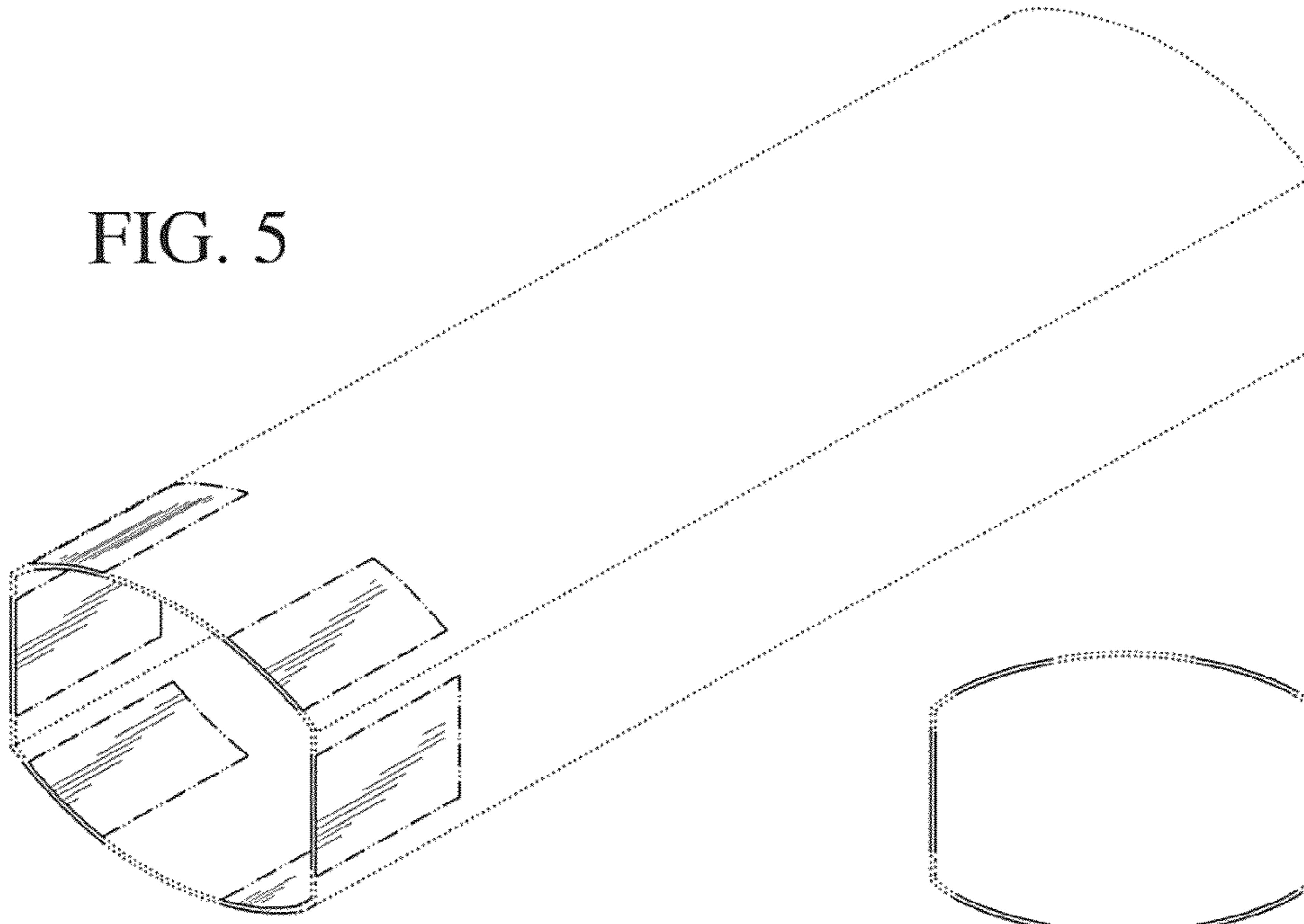


FIG. 6

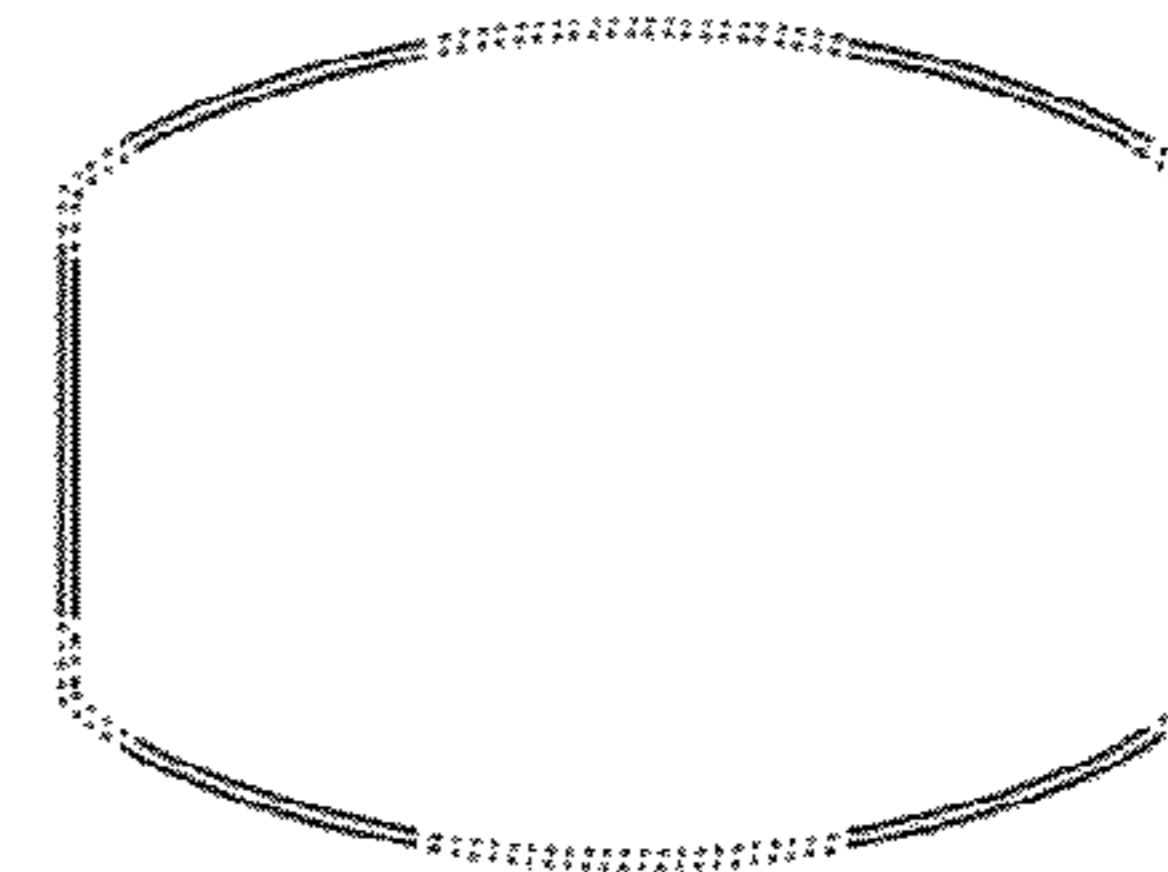


FIG. 7

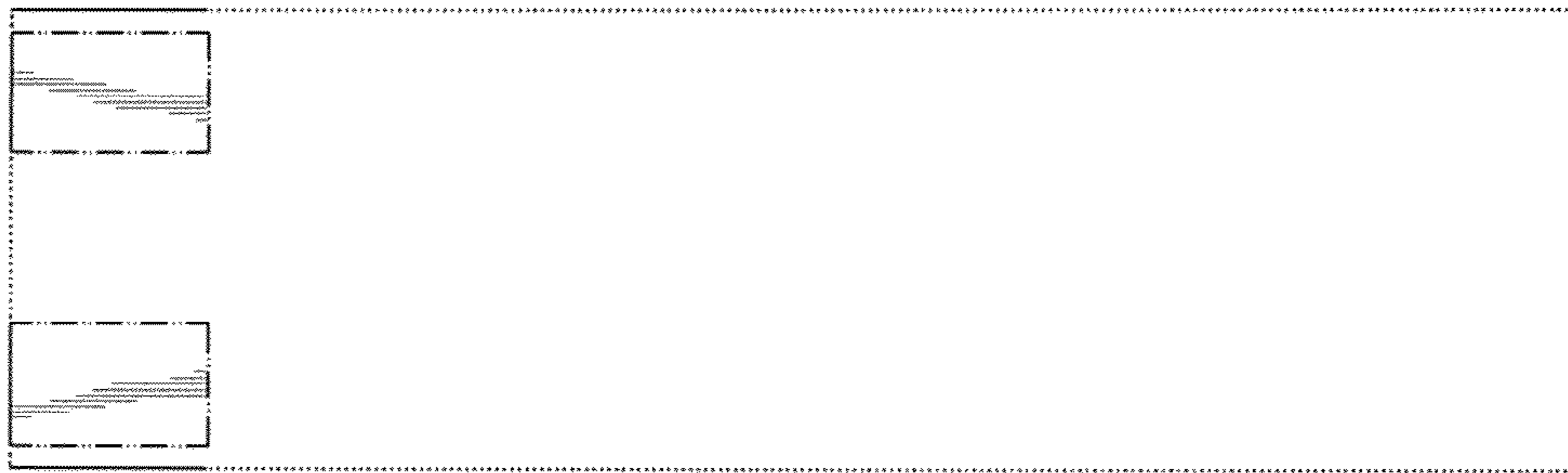


FIG. 8

