



US00D720615S

(12) **United States Design Patent**  
**Panone et al.**

(10) **Patent No.:** **US D720,615 S**

(45) **Date of Patent:** **\*\* Jan. 6, 2015**

(54) **LID FOR A CANNING JAR**

(56) **References Cited**

(71) Applicants: **Aaron Brooks Panone**, Somerville, MA (US); **Joshua Isaac Nielsen Resnikoff**, Somerville, MA (US)

U.S. PATENT DOCUMENTS

(72) Inventors: **Aaron Brooks Panone**, Somerville, MA (US); **Joshua Isaac Nielsen Resnikoff**, Somerville, MA (US)

1,978,978	A *	10/1934	Bailey .....	215/276
D287,919	S *	1/1987	Clements .....	D7/392.1
D417,845	S *	12/1999	Sadlier et al. ....	D9/447
7,959,029	B2 *	6/2011	Whitaker et al. ....	220/719
D649,878	S *	12/2011	Weiss .....	D9/447
D664,001	S *	7/2012	Liu .....	D7/510
D675,524	S *	2/2013	Bickert et al. ....	D9/447
D696,584	S *	12/2013	Resnikoff et al. ....	D9/448
2002/0011494	A1 *	1/2002	Lukacevic .....	220/713
2006/0071008	A1 *	4/2006	Sadlier .....	220/713
2008/0011762	A1 *	1/2008	Boone .....	220/713

(73) Assignee: **JRAP Inc.**, Somerville, MA (US)

(\*\*) Term: **14 Years**

\* cited by examiner

(21) Appl. No.: **29/472,331**

*Primary Examiner* — Robert M Spear

(22) Filed: **Nov. 11, 2013**

*Assistant Examiner* — Marissa Cash

**Related U.S. Application Data**

(74) *Attorney, Agent, or Firm* — Stahl Law Firm

(63) Continuation-in-part of application No. 29/420,438, filed on May 9, 2012, now abandoned.

(51) **LOC (10) Cl.** ..... **09-07**

(57) **CLAIM**

(52) **U.S. Cl.**

The ornamental design for a lid for a canning jar, as shown and described.

USPC ..... **D9/447**

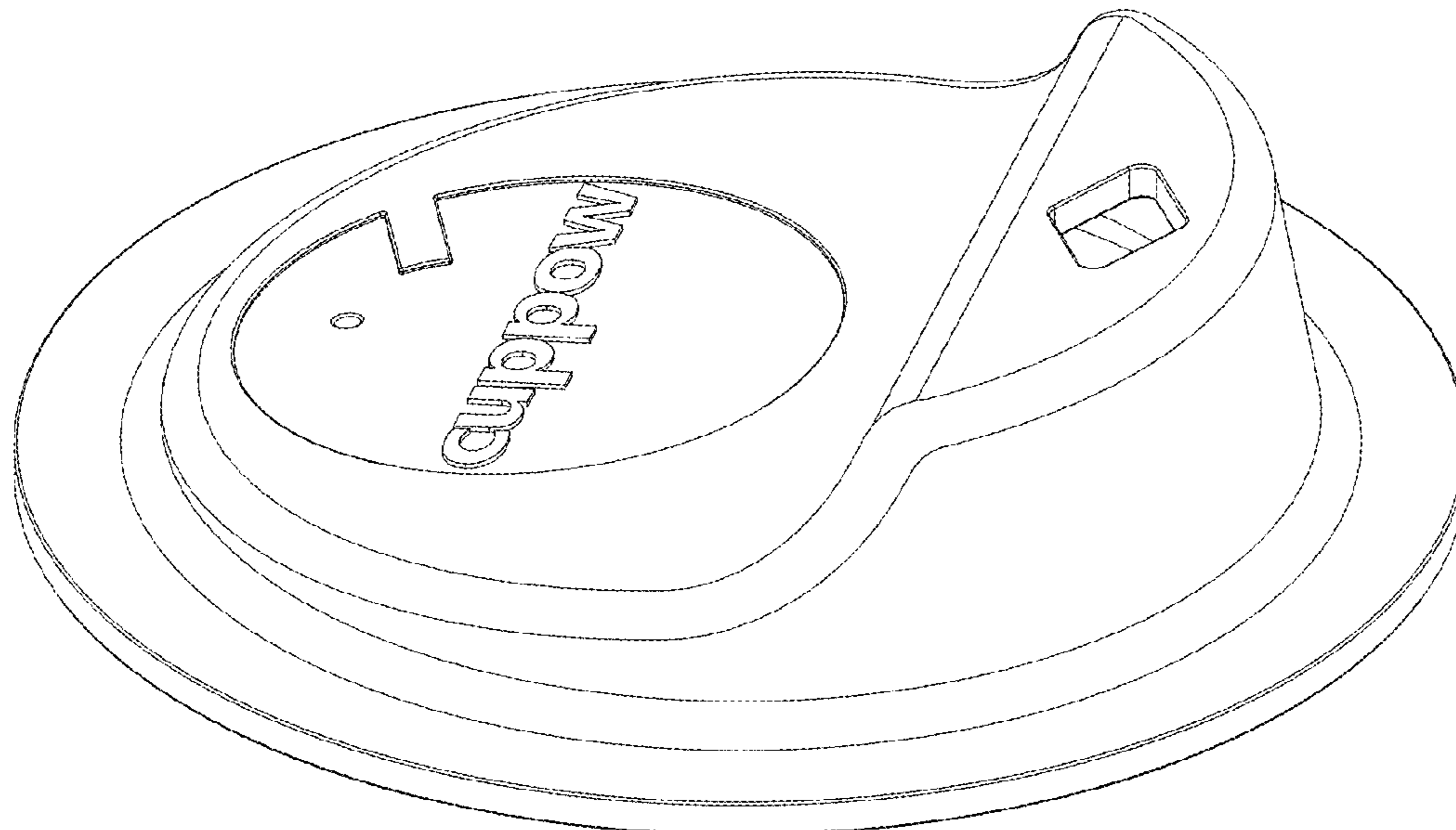
**DESCRIPTION**

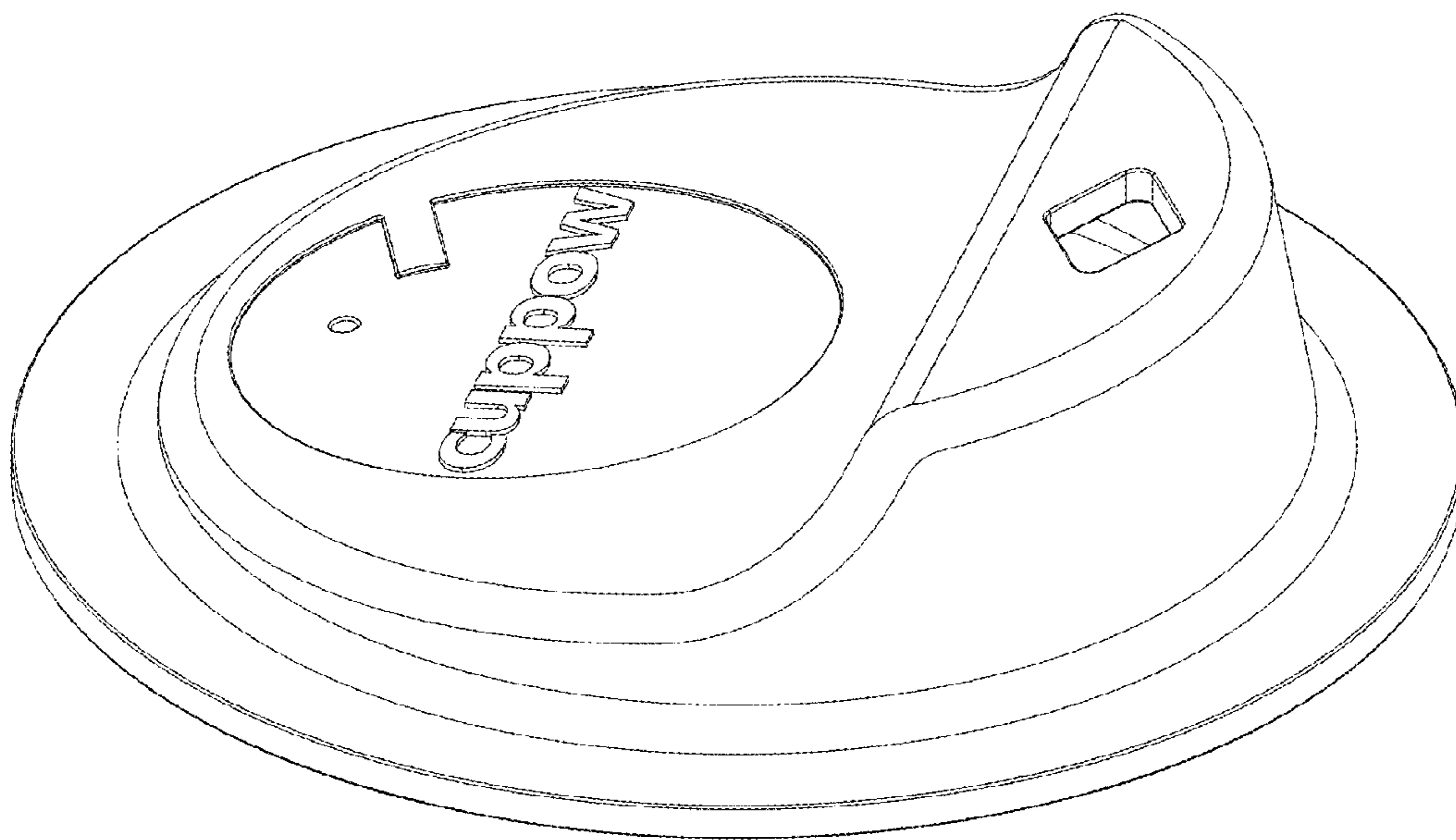
(58) **Field of Classification Search**

CPC ..... B65D 21/023; B65D 21/0231; B65D 2543/00046; B65D 2543/00296; B65D 41/00; A47J 47/02; A23B 7/105; A23B 7/144  
USPC ..... D6/452-545; D7/300, 321, 392.1, D7/396.2, 500, 507, 509, 510, 511, 900; D9/434-448, 452-455, 682, 685, 694; 215/200, 235, 236, 252, 254, 329, 215/355-364; 220/203.04-203.07, 220, 220/254.1, 254.4, 556, 703, 704, 705, 713  
See application file for complete search history.

FIG. 1 is a side top view of a lid of the invention;  
FIG. 2 is a top plan view thereof;  
FIG. 3 is a cross-sectional view along the line 3-3 in FIG. 2;  
FIG. 4 is a rear side top view of a lid of the invention;  
FIG. 5 is an elevated side top view of a lid of the invention;  
FIG. 6 is a front top view of a lid of the invention; and,  
FIG. 7 is a side bottom view of a lid of the invention.

**1 Claim, 7 Drawing Sheets**





**Fig. 1**

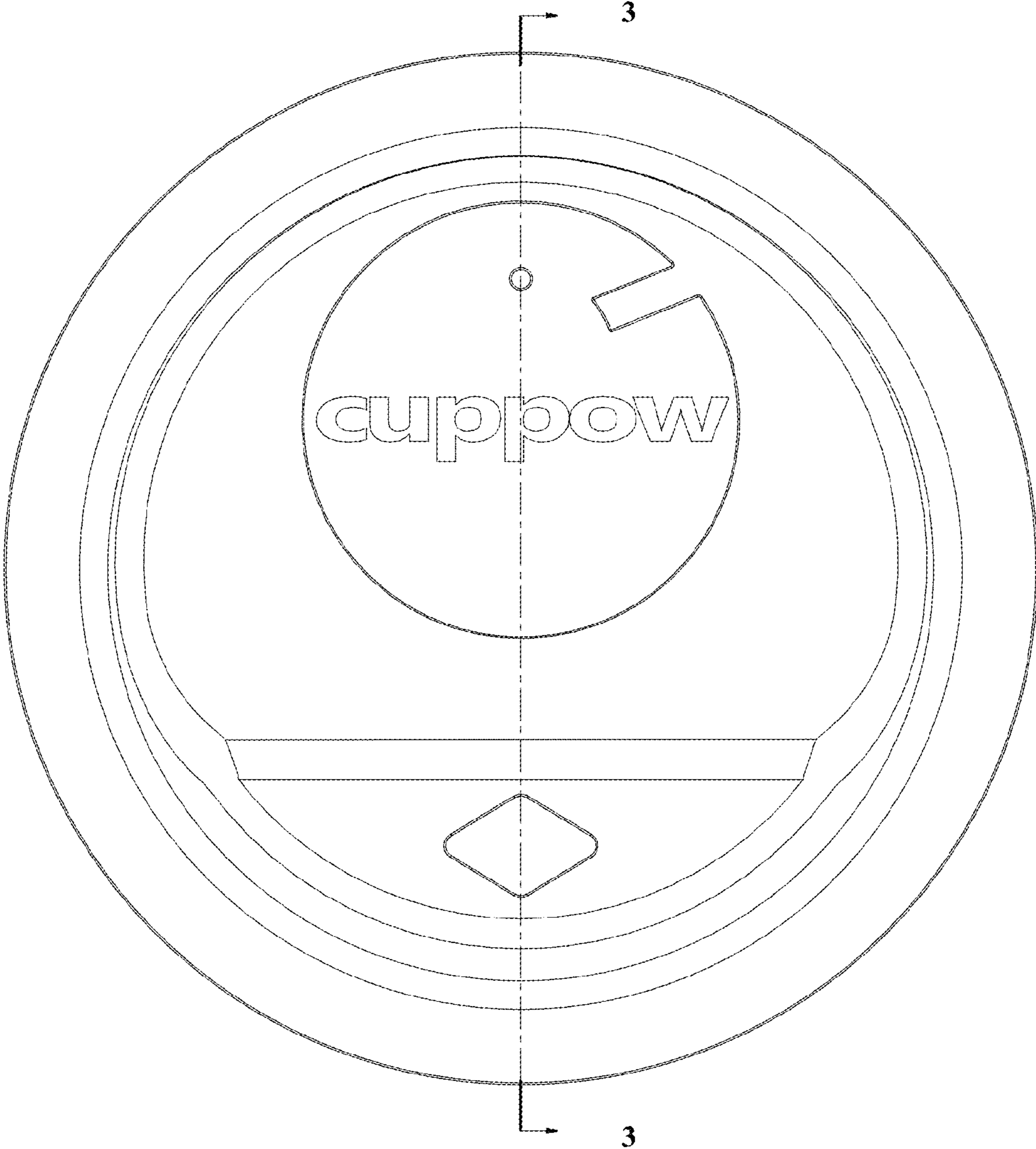


Fig. 2

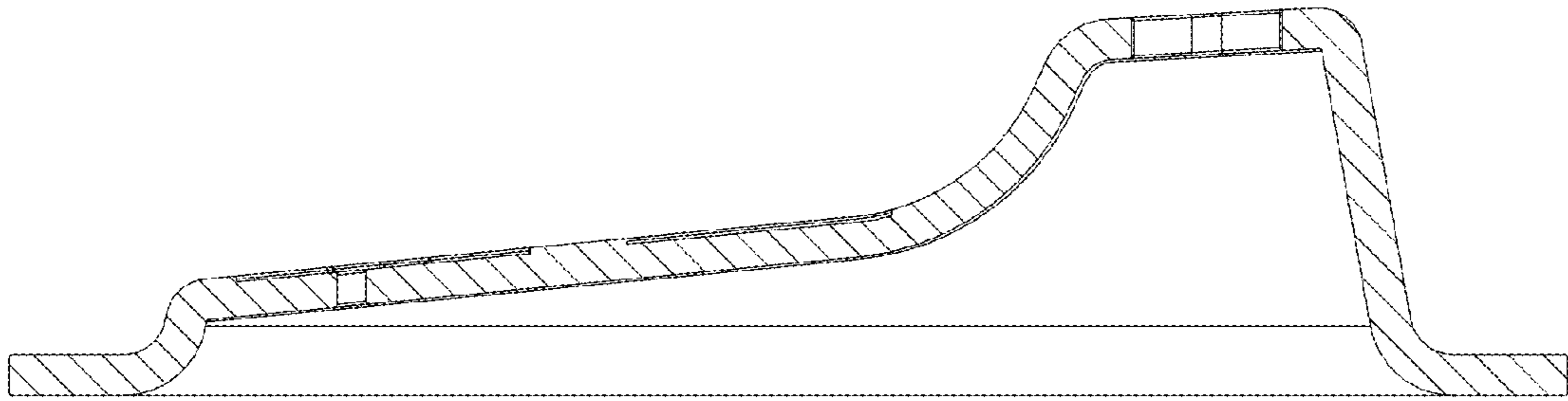


Fig. 3

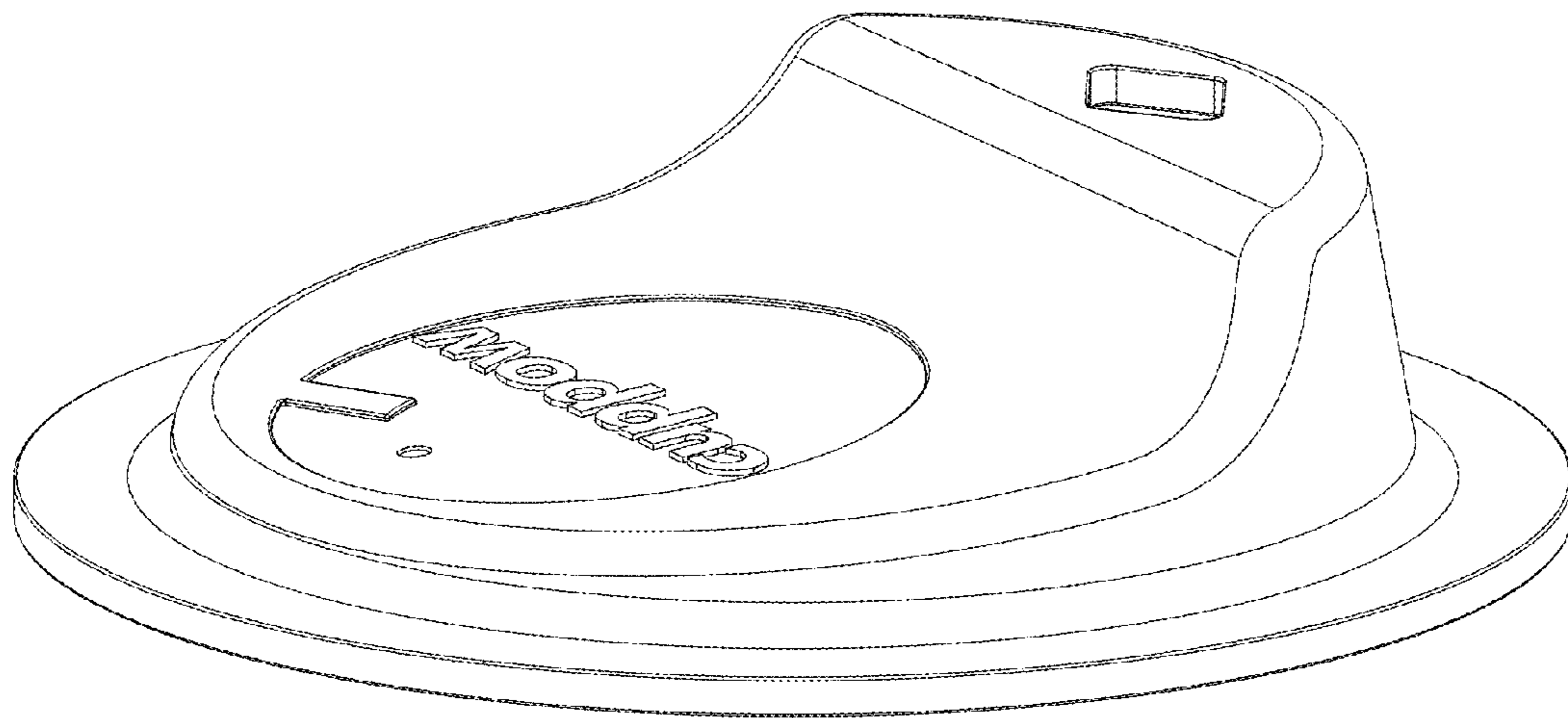


Fig. 4

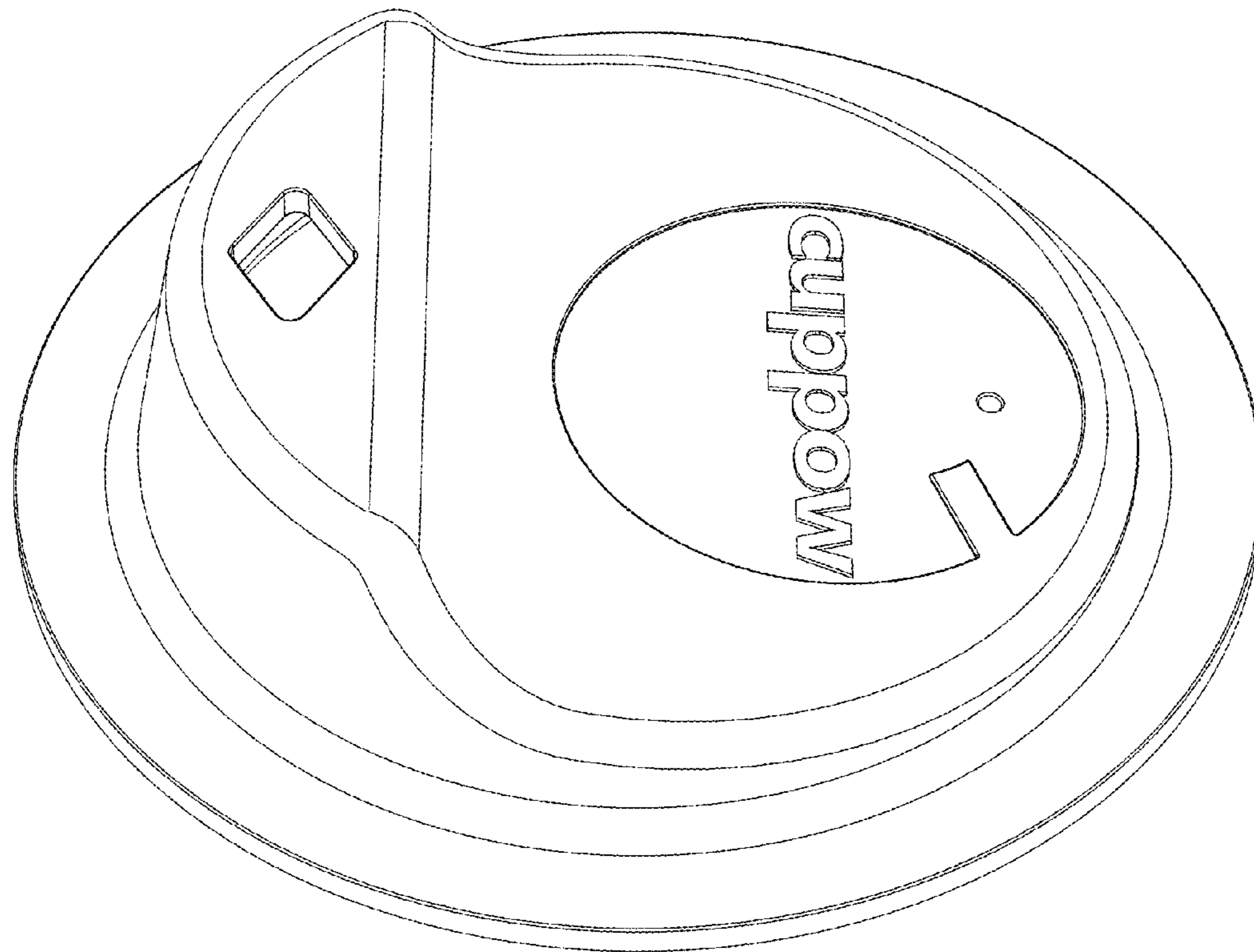


Fig. 5

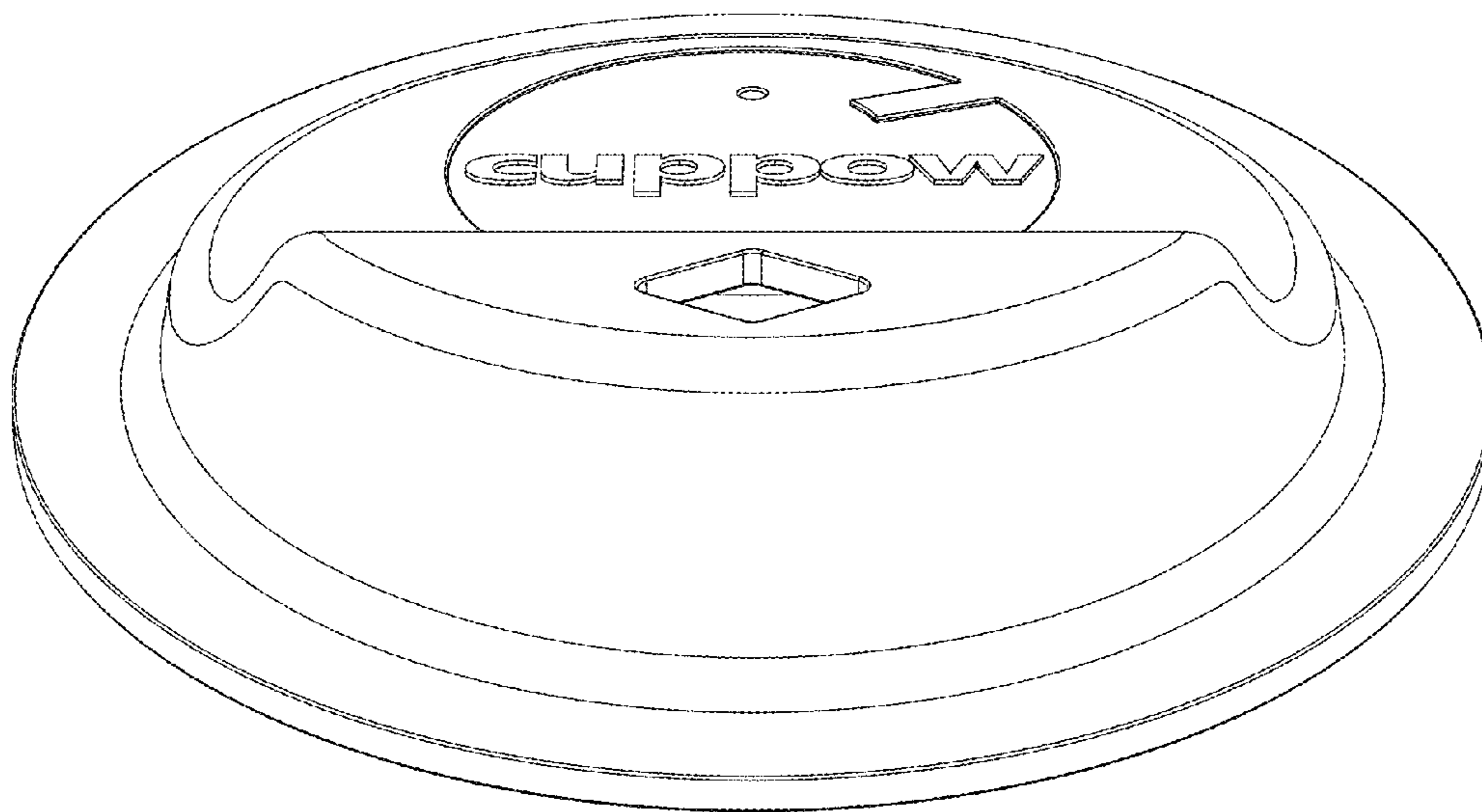


Fig. 6

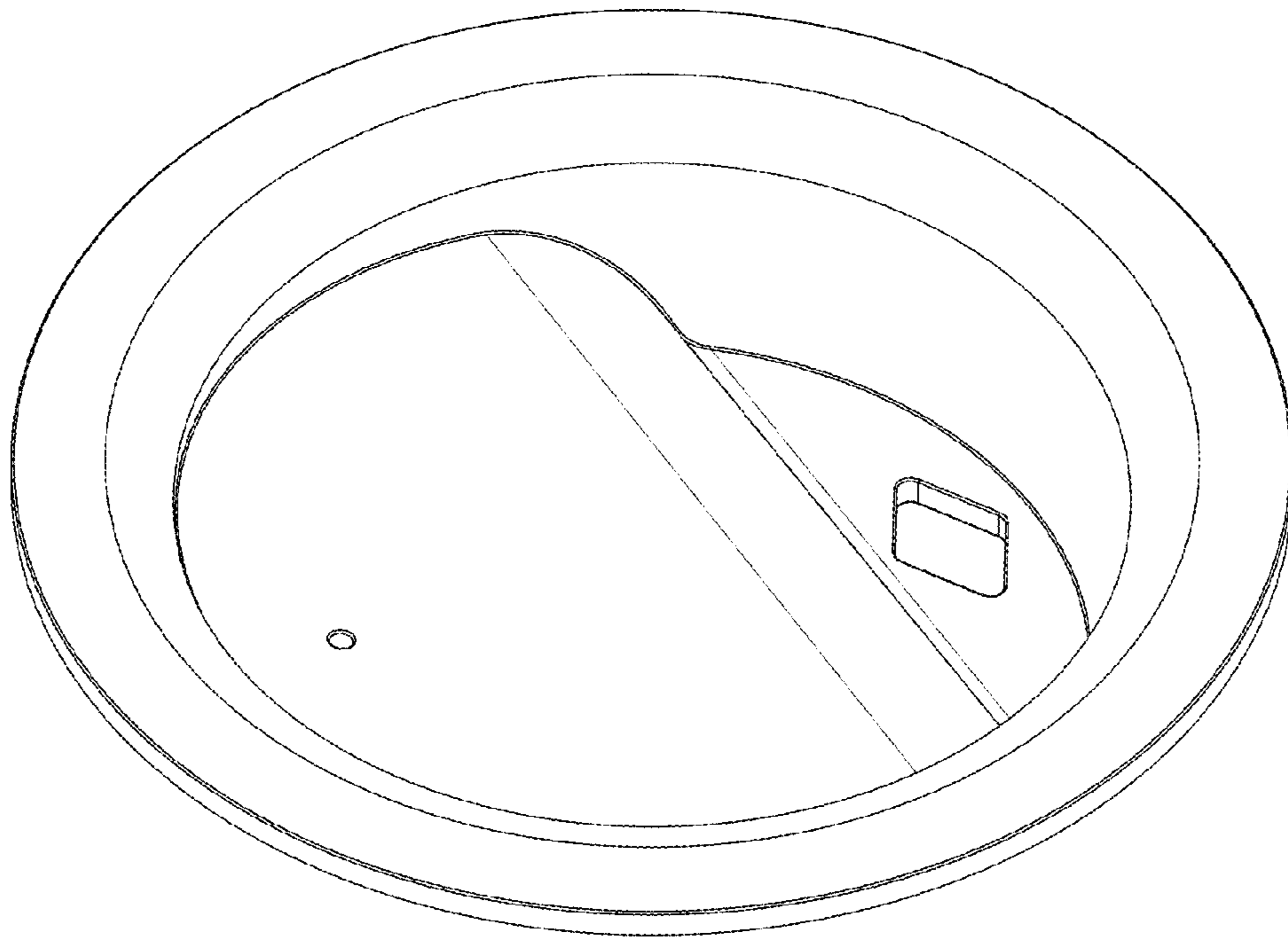


Fig. 7