



US00D720614S

(12) **United States Design Patent**
Kim et al.

(10) **Patent No.:** **US D720,614 S**
(45) **Date of Patent:** **** Jan. 6, 2015**

(54) **PACKING BOX**

(71) Applicant: **Samsung Electronics Co., Ltd.**,
Suwon-si (KR)
(72) Inventors: **Yu-Sun Kim**, Seoul (KR); **Tae-Hun Kim**,
Suwon-si (KR)
(73) Assignee: **Samsung Electronics Co., Ltd.**,
Suwon-si (KR)

(**) Term: **14 Years**

(21) Appl. No.: **29/468,889**

(22) Filed: **Oct. 4, 2013**

(30) **Foreign Application Priority Data**

May 22, 2013 (KR) 30-2013-0026546

(51) **LOC (10) Cl.** **09-03**

(52) **U.S. Cl.**
USPC **D9/432; D9/456**

(58) **Field of Classification Search**

CPC B29L 2031/7162; B29L 2031/7164;
B29L 2031/7166; B65D 1/22; B65D 1/34;
B65D 5/00; B65D 5/002; B65D 5/0025;
B65D 5/067-5/069; B65D 5/20; B65D 5/24;
B65D 5/42; B65D 5/46; B65D 5/64; B65D
5/72; B65D 5/74; B65D 21/00; B65D 43/162;
B65D 81/02; B65D 81/3813; B65D 71/12;
B65D 71/40; B65D 71/46
USPC D9/415-419, 420-425, 428, 429-435,
D9/444, 455-457; D19/1-3, 9-11, 86;
D7/538-542, 601, 602; D20/22, 42, 43

See application file for complete search history.

(56) **References Cited**

U.S. PATENT DOCUMENTS

D126,123 S *	3/1941	Clemens	D9/418
6,302,274 B1 *	10/2001	Ridgeway	206/583
D469,692 S *	2/2003	Meeker et al.	D9/432
D576,873 S *	9/2008	Kim	D9/418
D596,485 S *	7/2009	Andre et al.	D9/737
D701,757 S *	4/2014	Andre et al.	D9/432
D709,364 S *	7/2014	Olsson et al.	D9/432

* cited by examiner

Primary Examiner — Susan Bennett Hattan

Assistant Examiner — Vy Koenig

(74) *Attorney, Agent, or Firm* — NSIP Law

(57) **CLAIM**

The ornamental design for a packing box, as shown and described.

DESCRIPTION

FIG. 1 is a front perspective view of a packing box showing our new design;

FIG. 2 is a front view thereof;

FIG. 3 is a rear view thereof;

FIG. 4 is a left-side view thereof;

FIG. 5 is a right-side view thereof;

FIG. 6 is a top view thereof;

FIG. 7 is a bottom view thereof;

FIG. 8 is an exploded perspective view of the packing box;

FIG. 9 is another perspective view of the packing box illustrating an example environment;

FIG. 10 is another perspective view of the packing box illustrating an example environment; and,

FIG. 11 is another perspective view of the packing box illustrating an example environment.

The broken lines are for environmental purposes only and form no part of the claimed design.

1 Claim, 11 Drawing Sheets

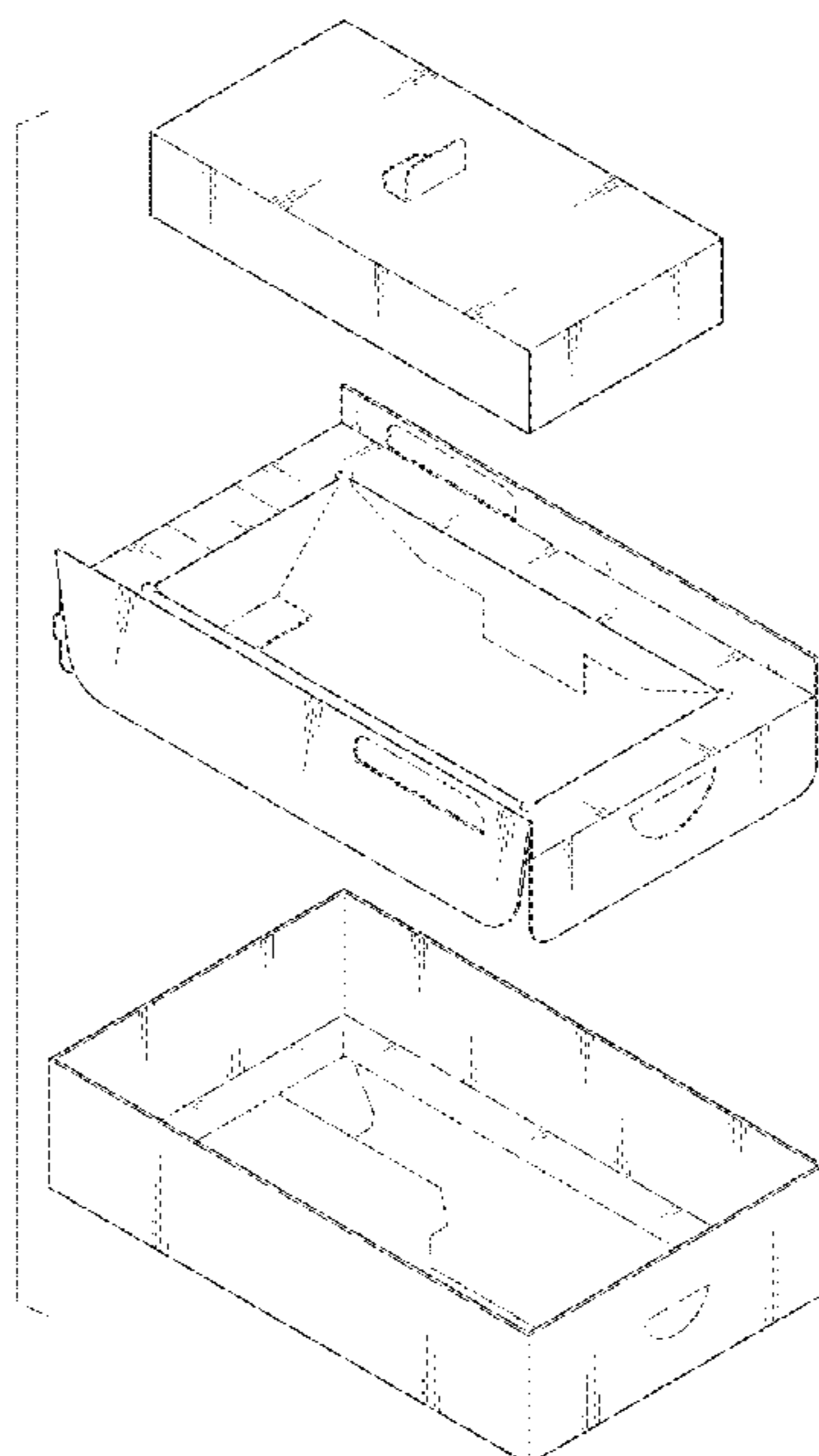


FIG. 1

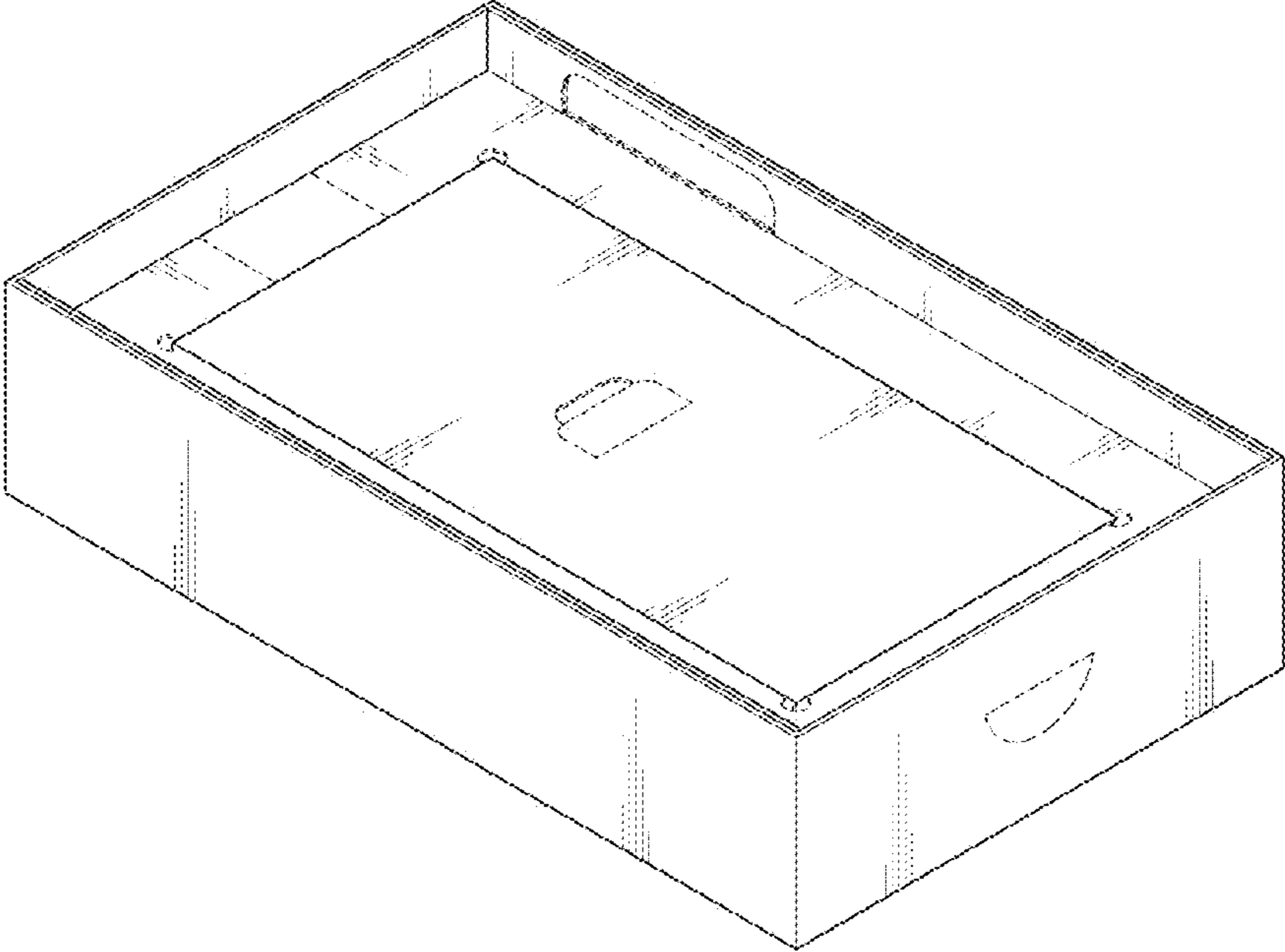


FIG. 2

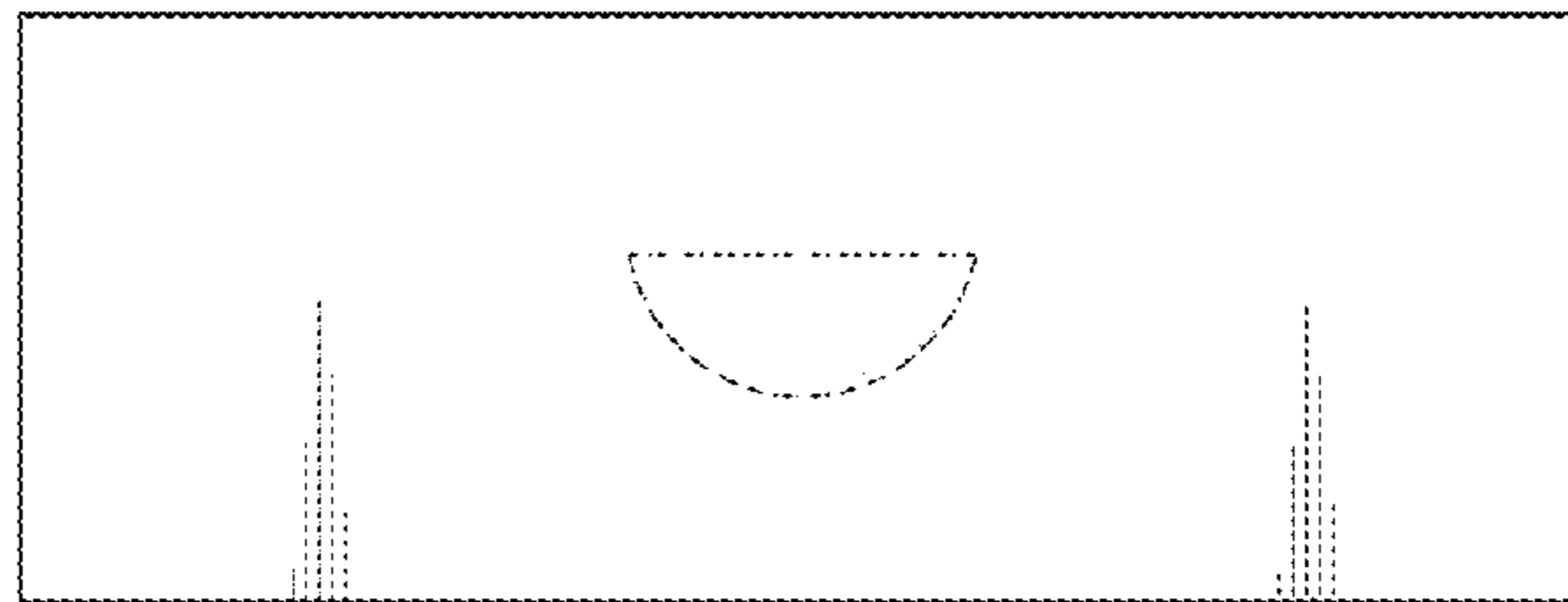


FIG. 3

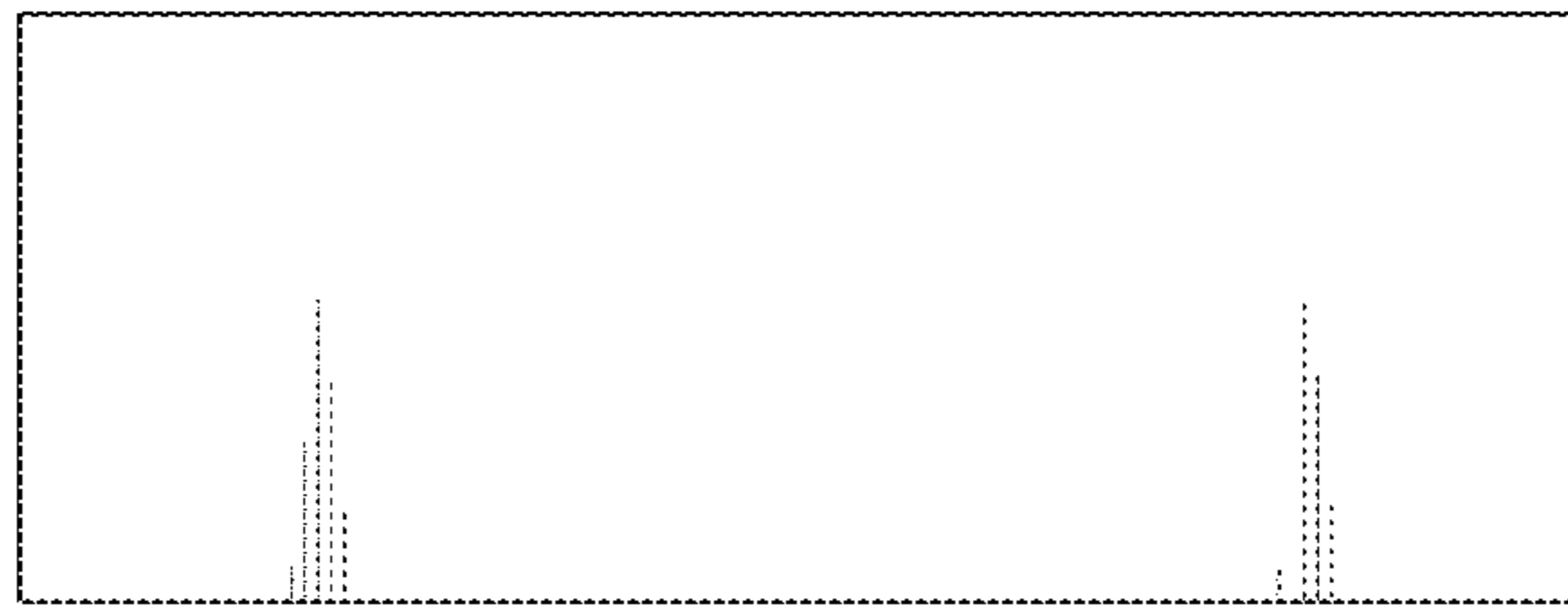


FIG. 4

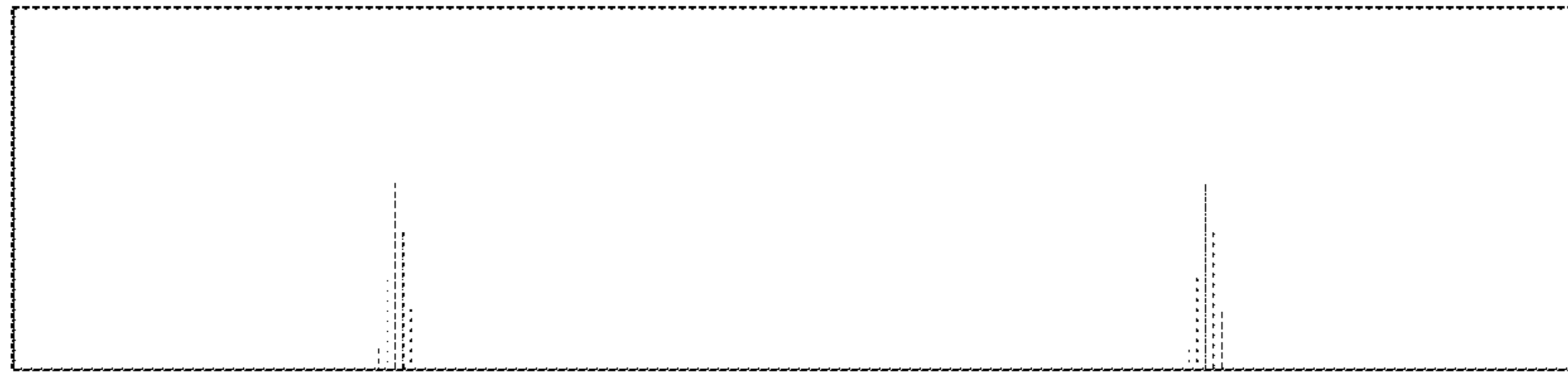


FIG. 5



FIG. 6

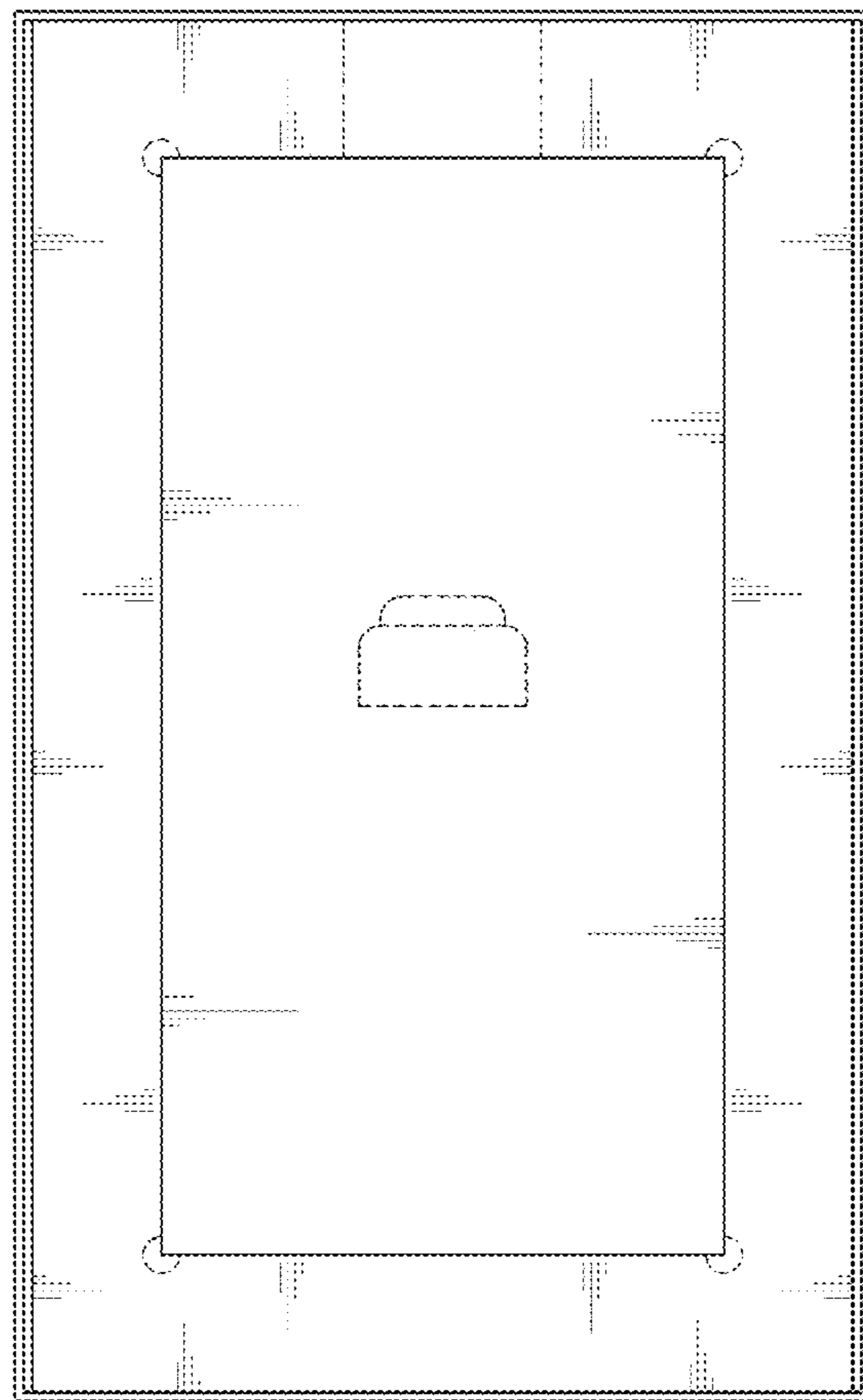


FIG. 7

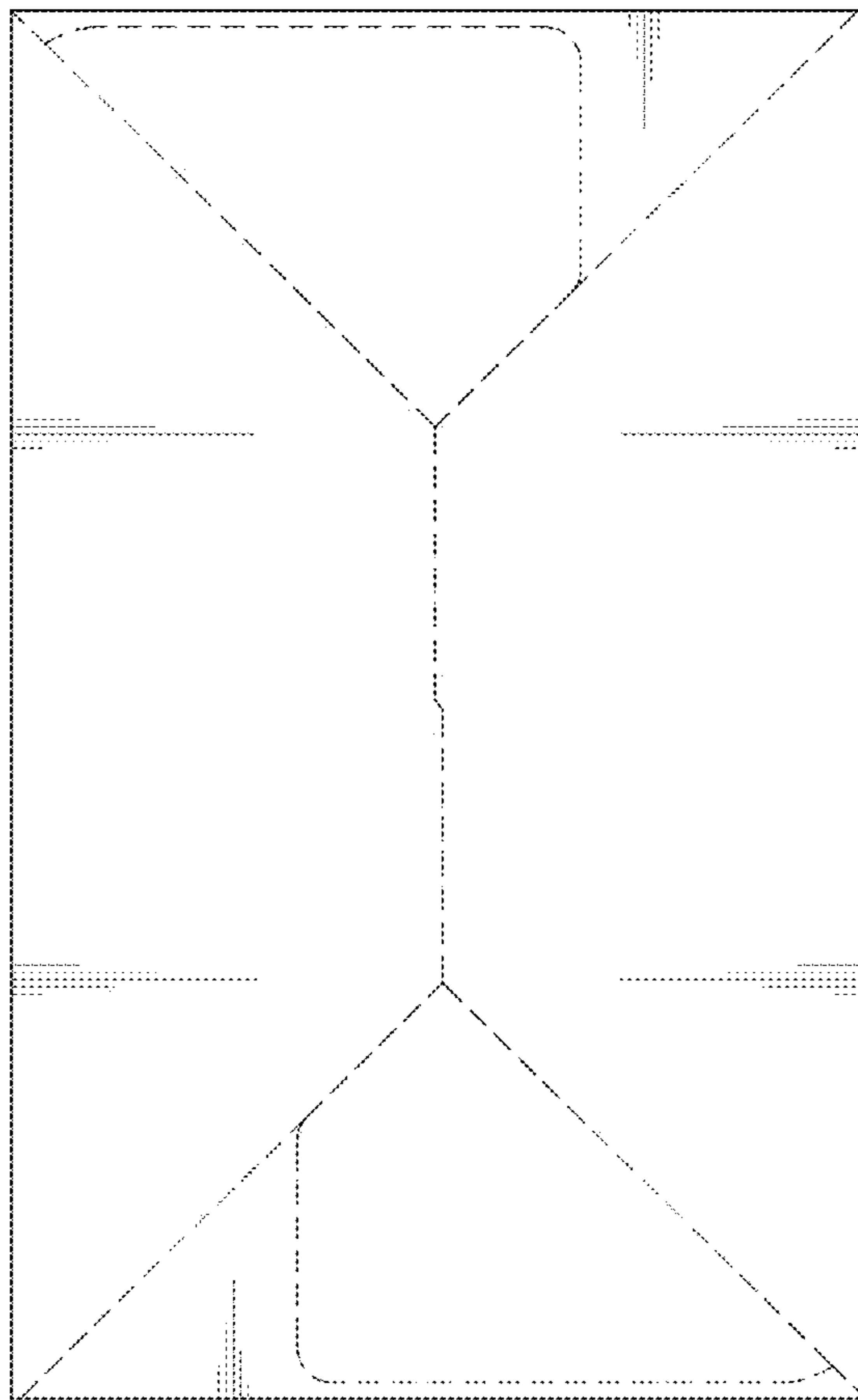


FIG. 8

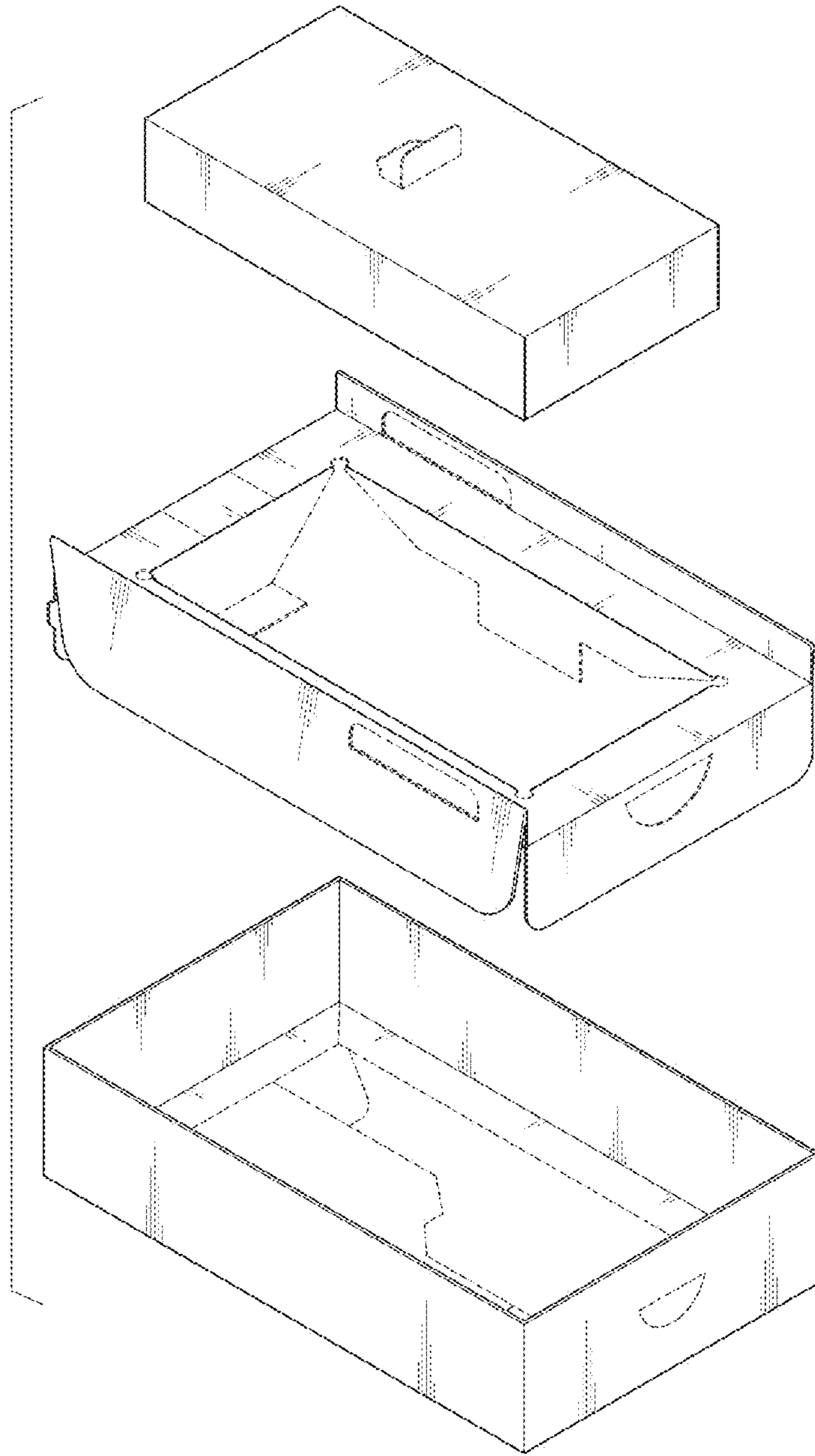


FIG. 9

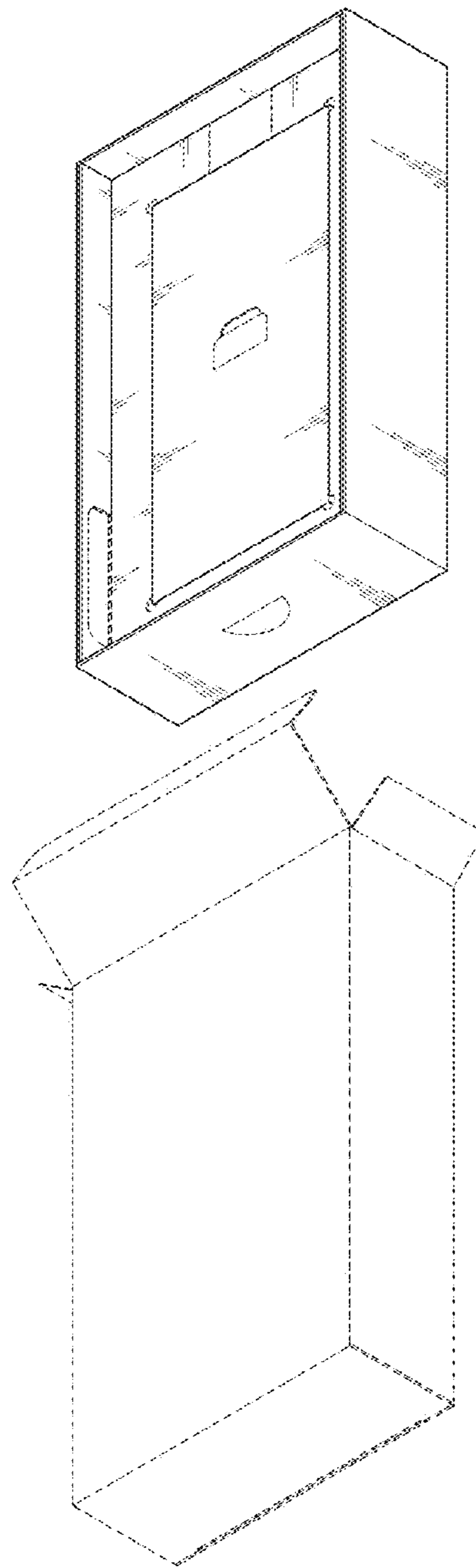


FIG. 10

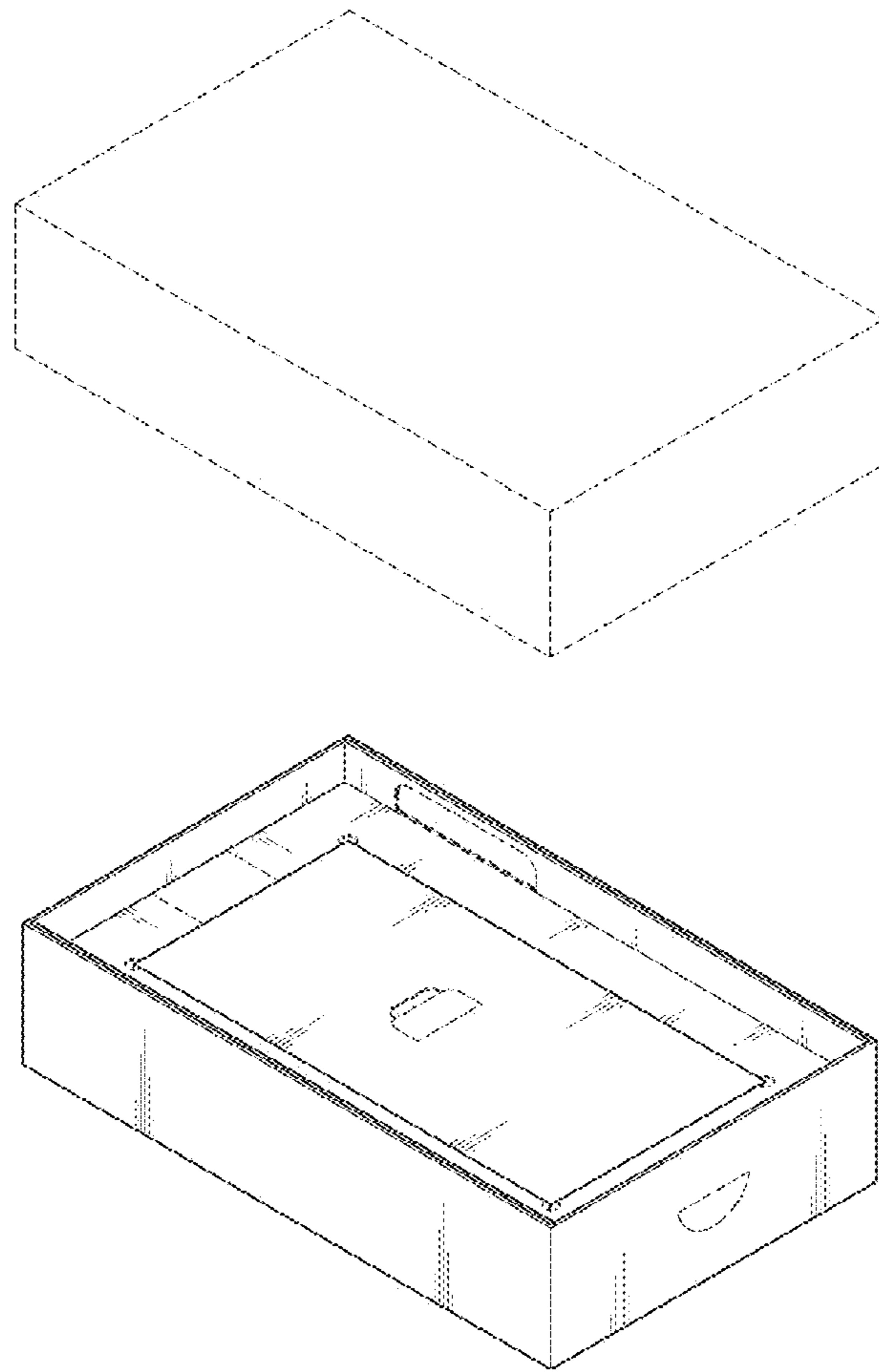


FIG. 11

